



US00D761586S

(12) **United States Design Patent**  
**Kulshreshtha**

(10) **Patent No.:** **US D761,586 S**

(45) **Date of Patent:** **\*\* Jul. 19, 2016**

- (54) **SHAVER RINSE STAND**
- (71) Applicant: **SKULL SHAVER, LLC**, Mount Holly, NJ (US)
- (72) Inventor: **Neel B. Kulshreshtha**, Burlington Township, NJ (US)
- (73) Assignee: **Skull Shaver, LLC**, Moorestown, NJ (US)
- (\*\*) Term: **14 Years**

D632,110 S *	2/2011	Cooper	.....	D6/526
D635,384 S *	4/2011	Yoon	.....	D6/526
D698,185 S *	1/2014	Cosper	.....	D6/526
D720,154 S *	12/2014	Provost	.....	D6/526

\* cited by examiner

*Primary Examiner* — Wan Laymon  
*Assistant Examiner* — Mark Booker  
 (74) *Attorney, Agent, or Firm* — Norman E. Lehrer

(57) **CLAIM**

The ornamental design for a shaver rinse stand, as shown and described.

**DESCRIPTION**

FIG. 1 is a top plan view of a shaver rinse stand showing my new design;  
 FIG. 2 is a front elevational view thereof;  
 FIG. 3 is a right side elevational view thereof;  
 FIG. 4 is a rear elevational view thereof;  
 FIG. 5 is a bottom plan view thereof;  
 FIG. 6 is a left side elevational view with the top holder portion raised;  
 FIG. 7 is a left side elevational view with the top holder portion lowered;  
 FIG. 8 is a left side elevational view similar to FIG. 7 showing the holder supporting a shaver;  
 FIG. 9 is a perspective view with the top holder portion raised; and,  
 FIG. 10 is a perspective view with the top holder portion lowered.  
 The shaver shown in phantom in FIG. 8 is for illustration purposes only and does not form a part of the design.

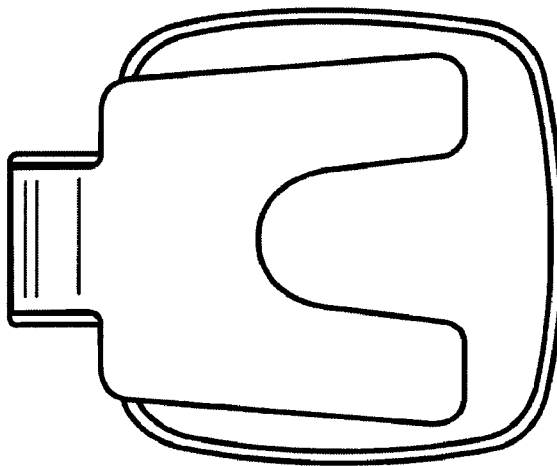
**1 Claim, 3 Drawing Sheets**

- (21) Appl. No.: **29/511,391**
- (22) Filed: **Dec. 10, 2014**
- (51) **LOC (10) Cl.** ..... **06-04**
- (52) **U.S. Cl.**  
USPC ..... **D6/526**
- (58) **Field of Classification Search**  
USPC ..... D6/526, 524, 528, 534, 540; D9/749;  
206/208, 209, 228, 361, 362, 362.1,  
206/362.2, 362.3; 211/13.1, 70.6, 87.01,  
211/89.01, 66, 86.01; 248/200, 205.5,  
248/309.1, 314, 127, 176.1  
CPC ..... A45D 27/29; B26B 21/00; B26B 21/06;  
B26B 29/00  
See application file for complete search history.

(56) **References Cited**

**U.S. PATENT DOCUMENTS**

D334,335 S *	3/1993	Boucher	.....	D30/131
D345,269 S *	3/1994	Novak	.....	D6/526
D576,436 S *	9/2008	Provost	.....	D6/526



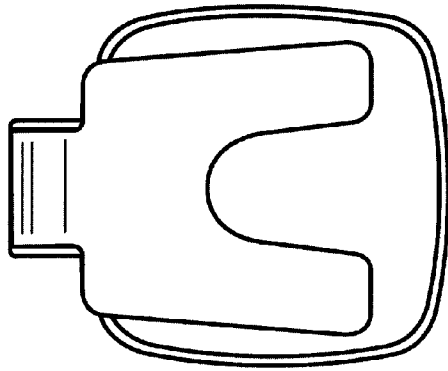


FIG. 1

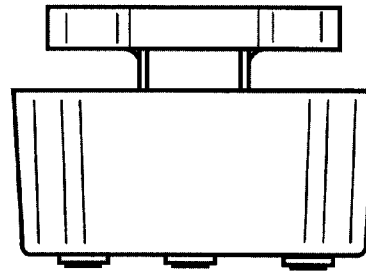


FIG. 2

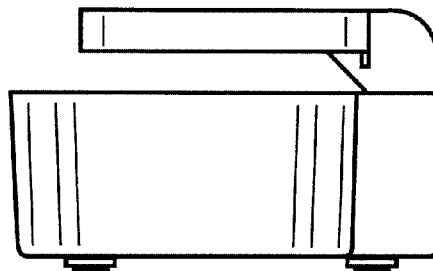


FIG. 3

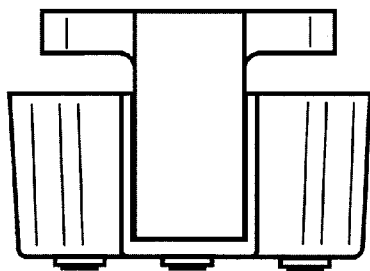


FIG. 4

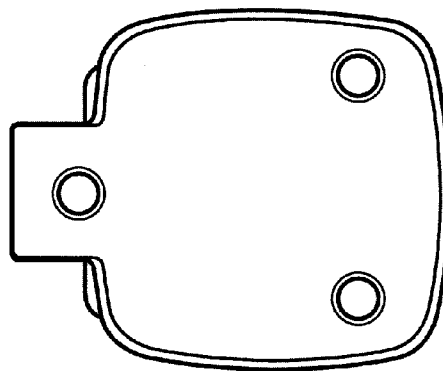


FIG. 5

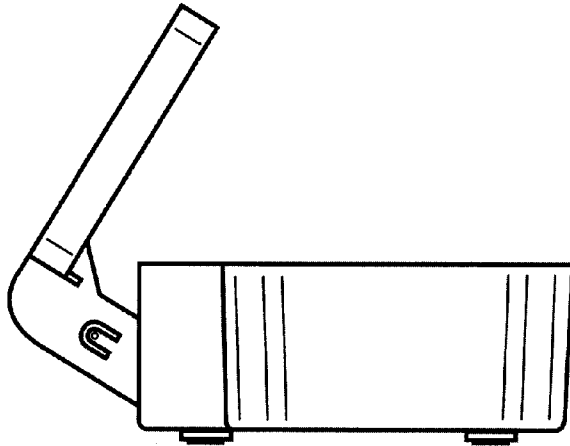


FIG. 6

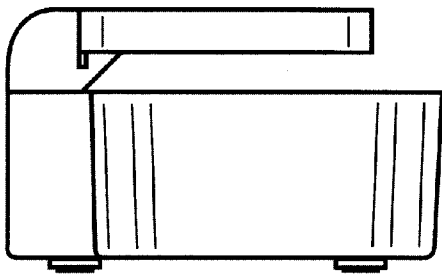


FIG. 7

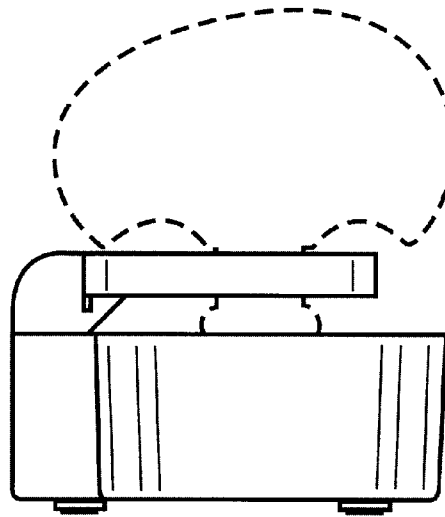


FIG. 8

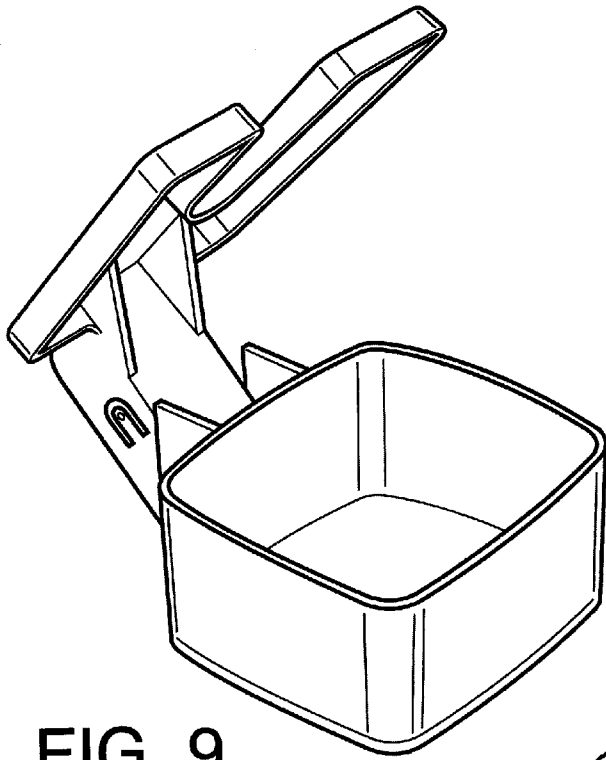


FIG. 9

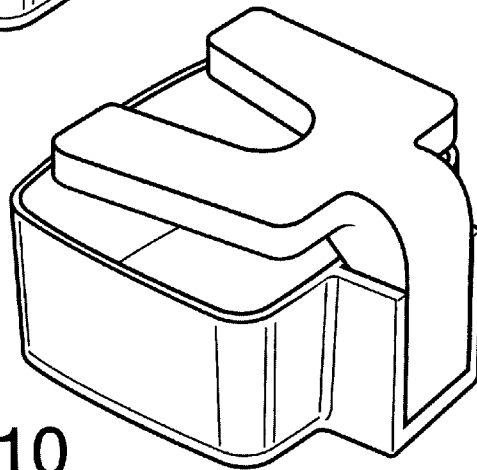


FIG. 10