



US00D538216S

(12) **United States Design Patent**  
**Sycha**

(10) **Patent No.:** **US D538,216 S**

(45) **Date of Patent:** **\*\* Mar. 13, 2007**

(54) **FRONT FACE OF A VEHICLE WHEEL**

(75) Inventor: **Thomas Peter Sycha**, Munich (DE)

(73) Assignee: **Bayerische Motoren Werke Aktiengesellschaft**, Munich (DE)

(\*\*) Term: **14 Years**

(21) Appl. No.: **29/265,350**

(22) Filed: **Aug. 31, 2006**

(30) **Foreign Application Priority Data**

Mar. 1, 2006 (DE) ..... 4 06 01 173

(51) **LOC (8) Cl.** ..... **12-16**

(52) **U.S. Cl.** ..... **D12/209**

(58) **Field of Classification Search** ..... D12/204-213;  
301/37.101, 64.101, 65

See application file for complete search history.

(56) **References Cited**

**U.S. PATENT DOCUMENTS**

- D422,258 S \* 4/2000 Hale, Jr. .... D12/211
- D432,974 S \* 10/2000 Jablonski ..... D12/211
- D437,819 S \* 2/2001 Brown et al. .... D12/209
- D458,887 S \* 6/2002 Kataoka ..... D12/209
- D460,037 S \* 7/2002 Takechi ..... D12/211
- D467,855 S \* 12/2002 Laengerer ..... D12/209
- D469,048 S \* 1/2003 van Hooydonk ..... D12/209

- D470,448 S \* 2/2003 Kataoka ..... D12/211
- D474,139 S \* 5/2003 Warming ..... D12/209
- D475,960 S \* 6/2003 Chung ..... D12/209
- D491,124 S \* 6/2004 Rice ..... D12/209
- D491,871 S \* 6/2004 Kang ..... D12/209
- D492,235 S 6/2004 Nordmann
- D503,668 S \* 4/2005 Boyer ..... D12/209
- D504,648 S \* 5/2005 Pfeiffer ..... D12/209
- D506,428 S \* 6/2005 Hussaini et al. .... D12/209
- D509,175 S \* 9/2005 Marji ..... D12/209
- D512,007 S \* 11/2005 Sze ..... D12/209
- D516,982 S \* 3/2006 Gallert ..... D12/209
- D518,765 S \* 4/2006 Gabath ..... D12/209
- D521,438 S \* 5/2006 Nordmann ..... D12/211
- D528,958 S \* 9/2006 Kim ..... D12/209

\* cited by examiner

*Primary Examiner*—Stacia Cadmus

(74) *Attorney, Agent, or Firm*—Crowell & Moring LLP

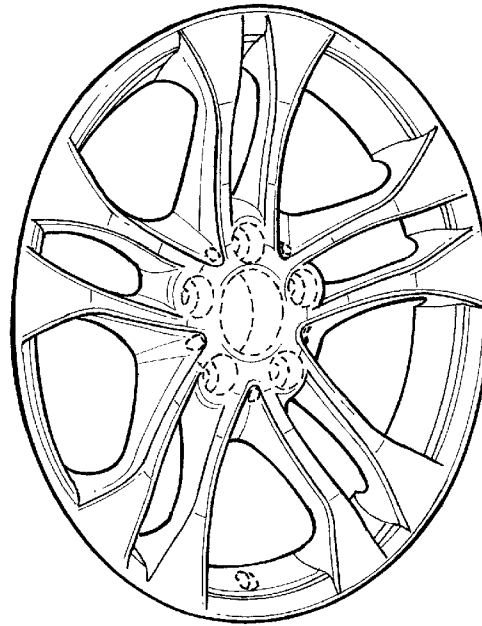
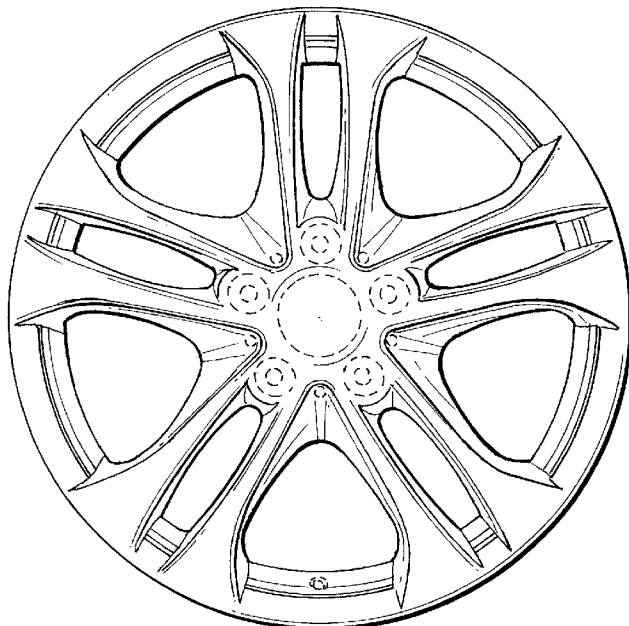
(57) **CLAIM**

The ornamental design for a front face of a vehicle wheel, as shown and described.

**DESCRIPTION**

FIG. 1 is a front view of a front face of a vehicle wheel according to my novel design; and, FIG. 2 is a perspective view thereof. The broken lines are for illustrative purposes only and form no part of the claimed design.

**1 Claim, 1 Drawing Sheet**



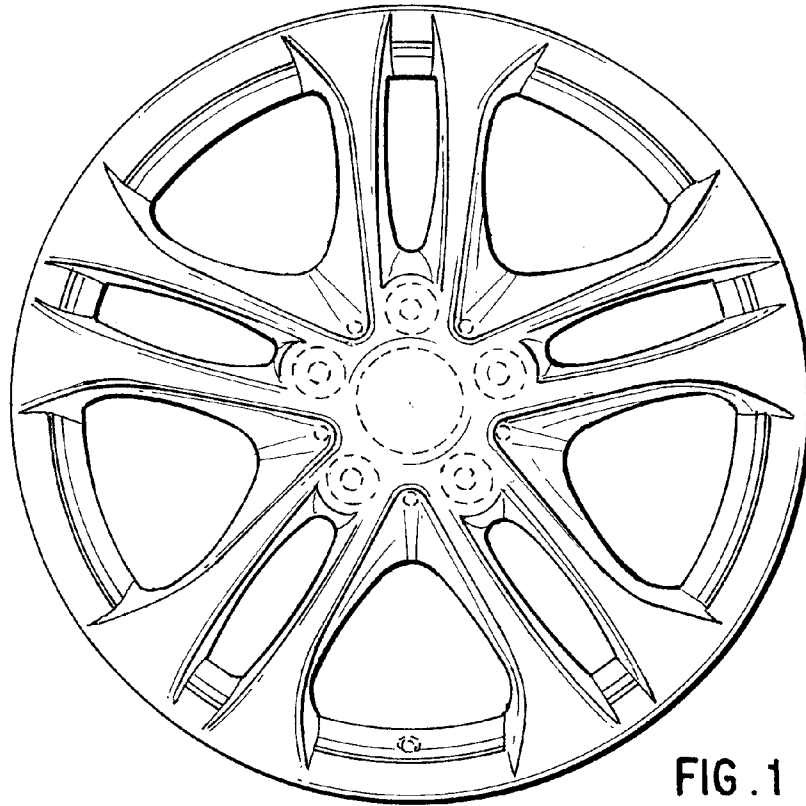


FIG. 1

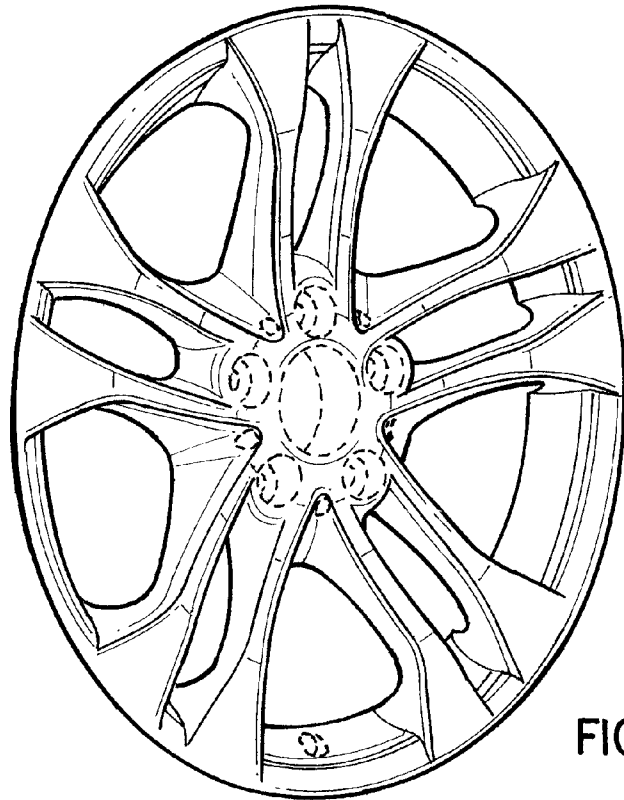


FIG. 2