



US00D668479S

(12) **United States Design Patent**
Henriott et al.

(10) **Patent No.:** **US D668,479 S**

(45) **Date of Patent:** **** Oct. 9, 2012**

(54) **TABLE LEG**

(75) Inventors: **Jay M. Henriott**, Jasper, IN (US); **Keith E. Metcalf**, Jasper, IN (US)

(73) Assignee: **Kimball International, Inc.**, Jasper, IN (US)

(**) Term: **14 Years**

(21) Appl. No.: **29/392,816**

(22) Filed: **May 26, 2011**

(51) **LOC (9) Cl.** **06-06**

(52) **U.S. Cl.** **D6/495**

(58) **Field of Classification Search** D6/480-489,
D6/495-499, 429-431; 108/150, 152, 153.1,
108/156, 161, 147.19; 248/188, 188.1, 188.8,
248/188.5, 188.91

See application file for complete search history.

(56) **References Cited**

U.S. PATENT DOCUMENTS

2,022,399 A	11/1935	Beiger	
2,378,852 A	6/1945	James	
D156,439 S	12/1949	Lebensfeld	
2,599,020 A	6/1952	Safstrom	
D172,098 S	5/1954	Knoll	
2,987,362 A	6/1961	Bernath	
D191,455 S	10/1961	Abrahamson et al.	
3,105,726 A	10/1963	Jung	
3,125,387 A	3/1964	Abrahamson	
3,229,790 A	1/1966	Shayne	
D235,292 S *	6/1975	Podell	D6/422
4,303,018 A	12/1981	Lehmann	
4,413,570 A	11/1983	Haigh	
D276,393 S	11/1984	Foyle	
4,745,867 A	5/1988	Niemiec	
4,846,078 A	7/1989	Janson	
5,107,775 A	4/1992	Langlais et al.	
5,163,373 A	11/1992	Anderson et al.	

D335,317 S	5/1993	Shearer
D343,312 S	1/1994	Burdick et al.
D343,747 S	2/1994	Burdick et al.
D354,643 S	1/1995	Hansel et al.
5,486,042 A	1/1996	Heisler et al.
5,598,790 A	2/1997	Fich
5,638,762 A	6/1997	Chestnutt
D382,146 S	8/1997	Sandy
5,715,761 A	2/1998	Frattini
D399,684 S	10/1998	Glass

(Continued)

FOREIGN PATENT DOCUMENTS

EP 0 096 272 12/1983

OTHER PUBLICATIONS

Product Information, "Belly Table", <http://riiskadesign.com/belly-table>, Jun. 23, 2009.

(Continued)

Primary Examiner — Janice Seeger

(74) *Attorney, Agent, or Firm* — Faegre Baker Daniels LLP

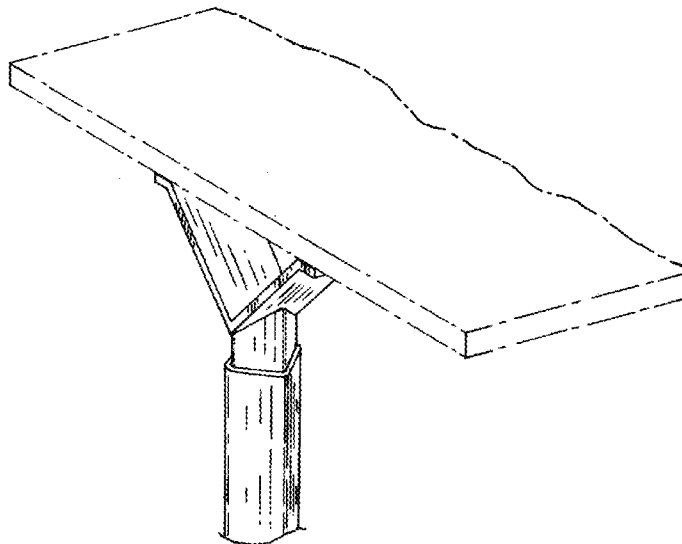
(57) **CLAIM**

The ornamental design for a table leg, as shown and described.

DESCRIPTION

FIG. 1 is a front perspective view of a table leg according to our new design;
FIG. 2 is a front/rear view thereof, it being understood that the front and rear views are identical;
FIG. 3 is a right side/left side elevational view thereof, it being understood that the left side and right side elevational views are identical; and,
FIG. 4 is a top plan view thereof.
Features shown in dashed lines form no part of the claimed design.

1 Claim, 1 Drawing Sheet



US D668,479 S

Page 2

U.S. PATENT DOCUMENTS

D409,861 S 5/1999 Newhouse
D437,152 S * 2/2001 Brown et al. D6/495
6,302,035 B1 10/2001 Frenkler et al.
6,389,988 B1 5/2002 Frattini
D460,639 S 7/2002 Crinion
D470,349 S 2/2003 Risdall
6,729,244 B2 5/2004 Cattaneo
6,766,748 B2 7/2004 Insalaco et al.
D501,741 S * 2/2005 Risdall D6/480
D541,559 S 5/2007 Lewis
D575,970 S 9/2008 Ward, Jr. et al.

7,469,642 B1 12/2008 LeDoux
D593,342 S 6/2009 Pessa
2005/0263041 A1 12/2005 Mueller et al.

OTHER PUBLICATIONS

Product Information, "Collapsible Coffee Table", <http://www.dormbuys.com/shop/product/298>, at least as early as Apr. 26, 2011.
Product Information, "Clamped Table by Ryan Sorrell", <http://www.dezeen.com/2009/10/21/clannped-table-by-ryan-sorrel/>, Jul. 21, 2009.

* cited by examiner

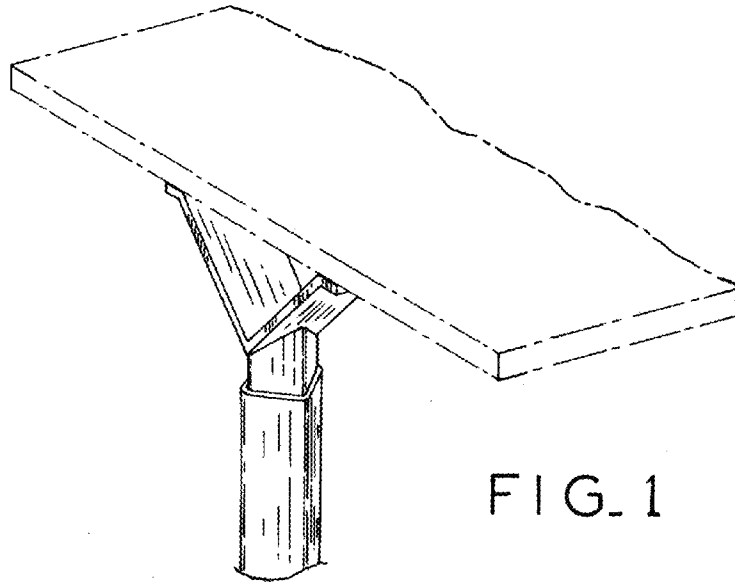


FIG. 1

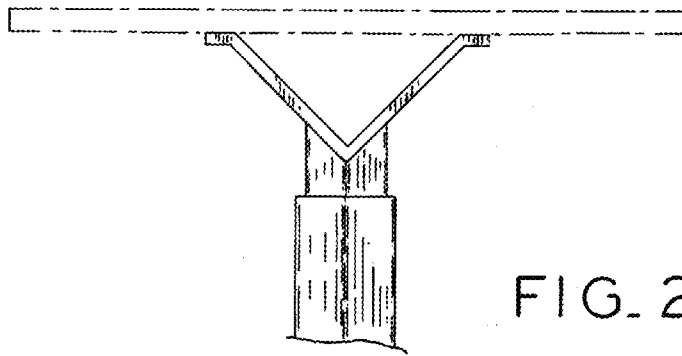


FIG. 2

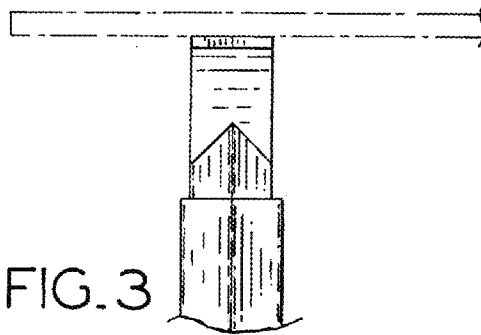


FIG. 3



FIG. 4