



US00D707167S

(12) **United States Design Patent**
Chung

(10) **Patent No.:** **US D707,167 S**

(45) **Date of Patent:** **** Jun. 17, 2014**

- (54) **AUTOMOTIVE WHEEL**
- (71) Applicant: **Suny Chung**, Anaheim, CA (US)
- (72) Inventor: **Suny Chung**, Anaheim, CA (US)
- (**) Term: **14 Years**
- (21) Appl. No.: **29/479,315**

- (22) Filed: **Jan. 14, 2014**
- (51) **LOC (10) Cl.** **12-16**
- (52) **U.S. Cl.**
USPC **D12/209**
- (58) **Field of Classification Search**
USPC D12/204-213; 301/37.101, 64.101, 65,
301/64.201
See application file for complete search history.

- (56) **References Cited**
U.S. PATENT DOCUMENTS
- | | | | | |
|--------------|---------|---------|-------|---------|
| D470,812 S * | 2/2003 | Chu | | D12/211 |
| D482,307 S * | 11/2003 | Lee | | D12/211 |
| D495,290 S * | 8/2004 | Chung | | D12/211 |
| D520,932 S * | 5/2006 | Guevara | | D12/211 |
| D528,062 S * | 9/2006 | Hosoi | | D12/211 |

- | | | | | |
|--------------|---------|---------|-------|---------|
| D529,430 S * | 10/2006 | Hsu | | D12/209 |
| D543,493 S * | 5/2007 | Kim | | D12/209 |
| D548,165 S * | 8/2007 | Young | | D12/211 |
| D578,458 S * | 10/2008 | Cortes | | D12/211 |
| D582,831 S * | 12/2008 | Musser | | D12/211 |
| D586,715 S * | 2/2009 | Cortes | | D12/211 |
| D597,012 S * | 7/2009 | Chung | | D12/211 |
| D624,863 S * | 10/2010 | Zhao | | D12/211 |
| D655,666 S * | 3/2012 | Zhao | | D12/211 |
| D683,686 S * | 6/2013 | Alfonso | | D12/211 |
| D688,187 S * | 8/2013 | McMath | | D12/209 |

* cited by examiner

Primary Examiner — Stacia Cadmus

(57) **CLAIM**
The ornamental design for an automotive wheel, as shown and described.

DESCRIPTION

FIG. 1 is a front view of an automotive wheel, showing my new design; and,
FIG. 2 is a perspective view thereof.
The broken line showing of the rear portion of the wheel is included for the purpose of illustrating environment and forms no part of the claimed design.

1 Claim, 2 Drawing Sheets

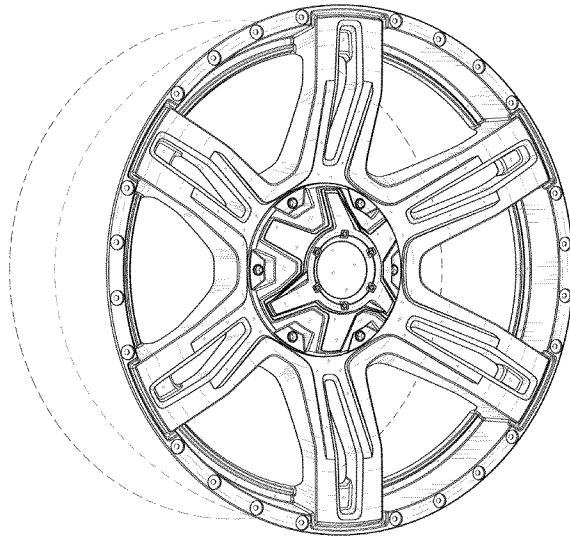
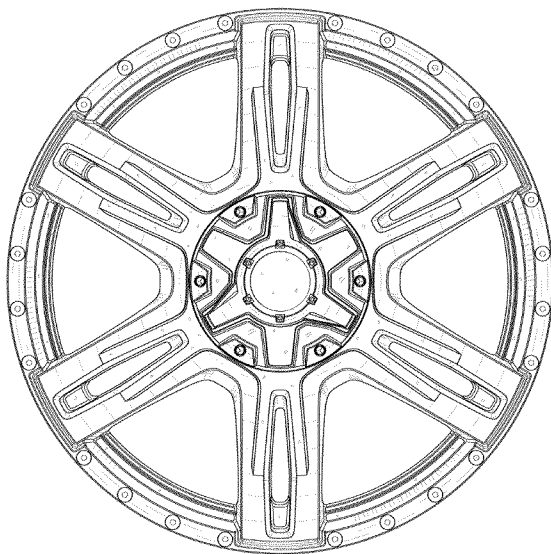


FIGURE 1

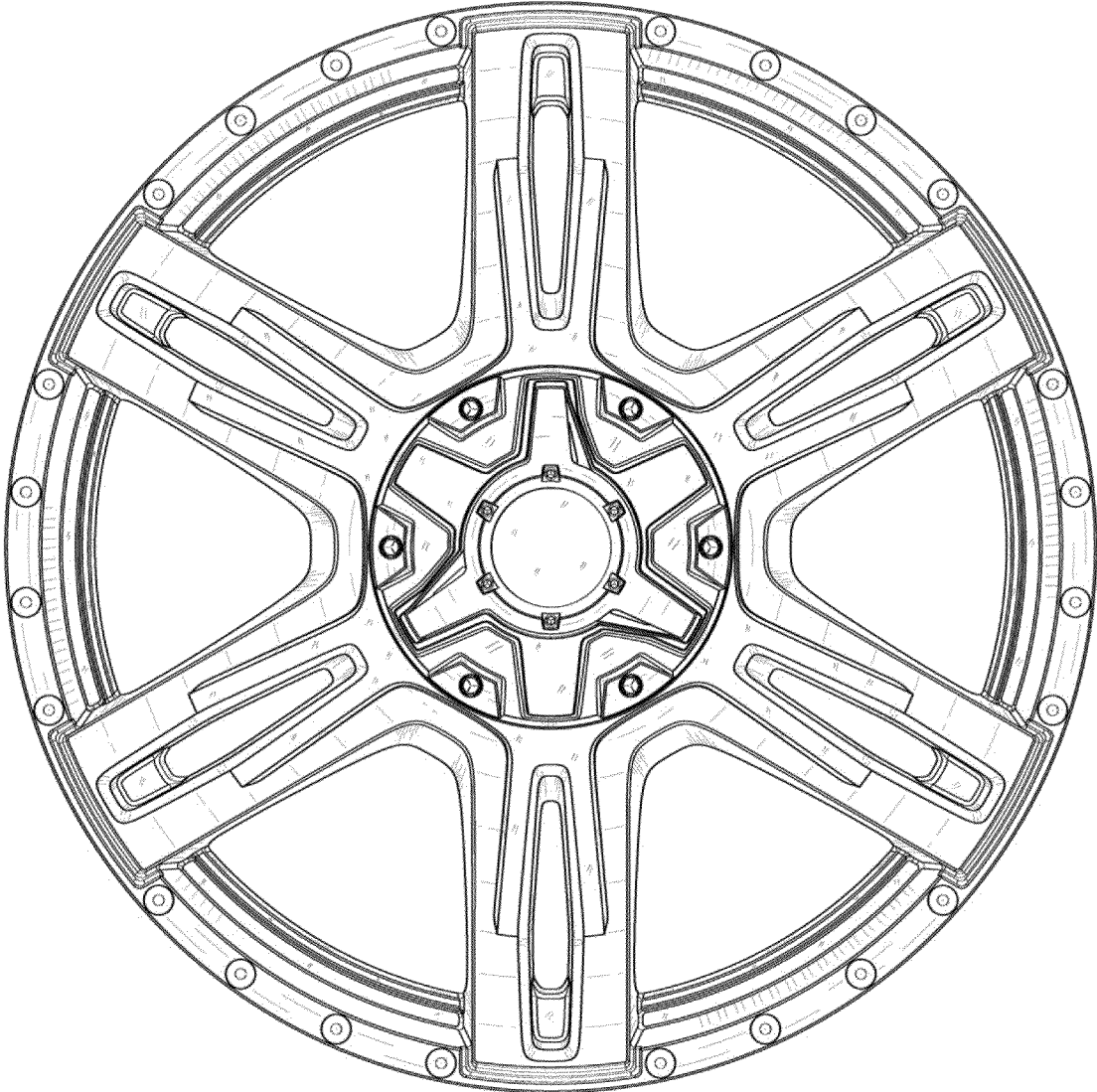


FIGURE 2

