



US00D754228S

(12) **United States Design Patent**  
**O'Neill et al.**

(10) **Patent No.:** **US D754,228 S**

(45) **Date of Patent:** **\*\* Apr. 19, 2016**

(54) **OPTICAL COMPONENT**

(71) Applicant: **olloclip, LLC**, Huntington Beach, CA (US)

(72) Inventors: **Patrick D. O'Neill**, Huntington Beach, CA (US); **Chong Pak**, Lakewood, CA (US)

(73) Assignee: **olloclip, LLC**, Huntington Beach, CA (US)

(\*\*) Term: **14 Years**

(21) Appl. No.: **29/482,575**

(22) Filed: **Feb. 19, 2014**

(51) **LOC (10) Cl.** ..... **16-06**

(52) **U.S. Cl.**

USPC ..... **D16/130**

(58) **Field of Classification Search**

USPC ..... D10/178; D14/240, 251, 358, 432, 433; D16/130, 134, 136, 154, 208, 219; 92/161; 359/544, 808, 811, 818, 819, 359/823, 824, 826, 827, 828; 362/365; 396/529; 455/90.3, 567, 569.1, 575.1, 455/575.8

CPC ..... G02B 7/02; G02B 13/00; G02B 13/001; G02B 15/00

See application file for complete search history.

(56) **References Cited**

**U.S. PATENT DOCUMENTS**

971,798 A	10/1910	Somdal
D48,816 S	4/1916	De Ville
D138,816 S	9/1944	Glasser
D141,692 S	6/1945	Nemeth
2,428,719 A	10/1947	Nemeth
D148,816 S	2/1948	Pemstein
D181,908 S	1/1958	Hertzler
D183,253 S	7/1958	Gebele
3,090,282 A	5/1963	Angenieux

3,133,140 A	5/1964	Winchell
3,138,060 A	6/1964	Eggert et al.
3,454,323 A	7/1969	Dierks et al.
3,620,149 A	11/1971	Ogihara
3,680,461 A	8/1972	Amesbury et al.
3,796,489 A	3/1974	Sone et al.

(Continued)

**FOREIGN PATENT DOCUMENTS**

CN	1797169 A	7/2006
CN	201173987 Y	12/2008

(Continued)

**OTHER PUBLICATIONS**

<http://uncrate.com/stuff/olloclip/> Available Jan. 20, 2013.\*

(Continued)

*Primary Examiner* — Susan Bennett Hattan

*Assistant Examiner* — Leanne Was

(74) *Attorney, Agent, or Firm* — Knobbe, Martens, Olson & Bear, LLP

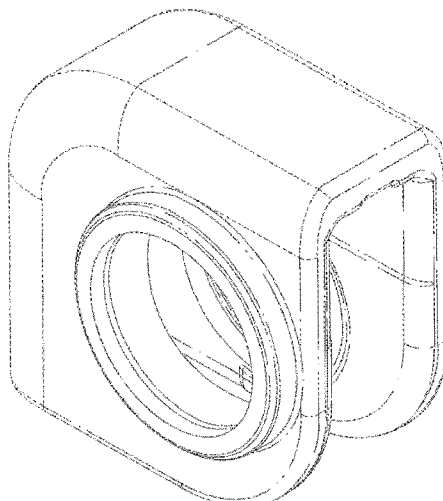
**CLAIM**

(57) The ornamental design for an optical component, as shown and described.

**DESCRIPTION**

FIG. 1 is a front, top, and right side perspective view of an optical component;  
FIG. 2 is a back, bottom, and left side perspective view thereof;  
FIG. 3 is a right side elevation view thereof;  
FIG. 4 is a left side elevation view thereof;  
FIG. 5 is a front side elevation view thereof;  
FIG. 6 is a back side elevation view thereof;  
FIG. 7 is a top plan view thereof; and,  
FIG. 8 is a bottom plan view thereof.  
The features illustrated in broken line depict portions of the optical component that form no part of the claimed design.

**1 Claim, 8 Drawing Sheets**



(56)

References Cited

U.S. PATENT DOCUMENTS

3,817,601 A 6/1974 Colaiace et al.  
 3,828,991 A 8/1974 Moore  
 D234,007 S 12/1974 Ritter  
 D248,160 S 6/1978 Feinbloom et al.  
 4,264,167 A 4/1981 Plummer  
 4,305,386 A 12/1981 Tawara  
 D264,048 S 4/1982 Magner  
 D274,336 S 6/1984 Huckenbeck  
 D274,691 S 7/1984 Wallace  
 D275,766 S 10/1984 Suzuki  
 D295,871 S 5/1988 Charles  
 4,760,510 A 7/1988 Lahti  
 4,864,333 A 9/1989 Barber  
 4,893,143 A 1/1990 Sheng-Huei  
 5,050,963 A 9/1991 Murakami  
 5,054,886 A 10/1991 Ozaki et al.  
 5,311,358 A 5/1994 Pederson et al.  
 5,416,544 A 5/1995 Stapleton  
 5,455,711 A 10/1995 Palmer  
 5,461,444 A 10/1995 Okura et al.  
 D374,878 S 10/1996 Palmer  
 D381,347 S 7/1997 Miyahara  
 D387,787 S 12/1997 Palmer  
 5,781,351 A 7/1998 Murakami et al.  
 5,831,778 A 11/1998 Chueh  
 6,115,197 A 9/2000 Funahashi  
 6,545,825 B2 4/2003 Shoji et al.  
 6,752,516 B1 6/2004 Beadle  
 6,889,006 B2 5/2005 Kobayashi  
 6,924,950 B2 8/2005 Gventer et al.  
 6,967,790 B2 11/2005 Wei  
 D544,512 S 6/2007 Huang  
 D546,863 S 7/2007 Ito et al.  
 D560,702 S 1/2008 Tokiwa et al.  
 7,600,932 B2 10/2009 Senba et al.  
 7,604,423 B2 10/2009 Nagata et al.  
 7,636,518 B2 12/2009 Tanaka et al.  
 7,639,353 B2 12/2009 Rooke  
 D617,360 S 6/2010 Endo et al.  
 7,782,375 B2 8/2010 Chambers et al.  
 D626,950 S \* 11/2010 Roman ..... D14/240  
 7,830,628 B2 11/2010 Schaefer  
 7,967,513 B2 6/2011 Zhang  
 8,000,589 B2 8/2011 Chan  
 8,040,621 B2 10/2011 Chang et al.  
 D649,970 S 12/2011 Lyford et al.  
 D650,821 S 12/2011 Verhey  
 8,073,324 B2 12/2011 Tsai  
 8,208,210 B2 6/2012 An et al.  
 D669,587 S 10/2012 Mayer  
 8,279,544 B1 \* 10/2012 O'Neill ..... G02B 7/14  
 359/819  
 D678,379 S \* 3/2013 O'Neill ..... D14/511  
 D686,265 S \* 7/2013 O'Neill ..... D16/134  
 8,508,868 B2 8/2013 Weber et al.  
 D692,472 S \* 10/2013 Samuels ..... D16/136  
 8,573,810 B2 11/2013 Mahaffey et al.  
 8,593,745 B2 11/2013 O'Neill  
 D695,295 S 12/2013 Chumanov et al.  
 D695,332 S \* 12/2013 O'Neill ..... D16/237  
 D697,957 S 1/2014 Glasse et al.  
 D697,958 S \* 1/2014 O'Neill ..... D16/134  
 8,639,106 B1 1/2014 Gleason et al.  
 D699,275 S \* 2/2014 Samuels ..... D16/136  
 D700,228 S \* 2/2014 O'Neill ..... D16/134  
 8,687,299 B1 \* 4/2014 Sanford ..... F16B 21/04  
 359/827  
 8,760,569 B2 6/2014 Yang  
 D708,652 S 7/2014 Hyers  
 D708,653 S 7/2014 Hyers  
 8,891,187 B2 \* 11/2014 O'Neill ..... G02B 7/14  
 359/819  
 D723,601 S \* 3/2015 O'Neill ..... D16/134  
 D726,796 S 4/2015 O'Neill et al.  
 D727,385 S \* 4/2015 O'Neill ..... D16/134

D727,868 S \* 4/2015 O'Neill ..... D14/134  
 9,007,522 B1 4/2015 O'Neill .....  
 D730,967 S \* 6/2015 O'Neill ..... D16/219  
 D730,968 S \* 6/2015 O'Neill ..... D16/219  
 D730,969 S \* 6/2015 O'Neill ..... D16/219  
 D740,878 S \* 10/2015 O'Neill ..... D16/237  
 9,188,764 B2 \* 11/2015 O'Neill ..... G02B 7/14  
 9,195,023 B2 11/2015 O'Neill et al.  
 2004/0041911 A1 3/2004 Odagiri et al.  
 2004/0218081 A1 11/2004 Lohr et al.  
 2005/0088612 A1 4/2005 Smith et al.  
 2005/0099526 A1 5/2005 Wu et al.  
 2007/0049340 A1 3/2007 Wang et al.  
 2007/0053682 A1 3/2007 Chang  
 2007/0196090 A1 8/2007 Kubo  
 2007/0275763 A1 11/2007 Sawadski et al.  
 2007/0280677 A1 12/2007 Drake et al.  
 2008/0037011 A1 2/2008 Rooke  
 2008/0174891 A1 7/2008 Kudoh  
 2009/0109558 A1 4/2009 Schaefer  
 2009/0169198 A1 7/2009 Chang  
 2009/0181729 A1 7/2009 Griffin, Jr. et al.  
 2010/0048243 A1 2/2010 Fourquin et al.  
 2010/0208369 A1 8/2010 Shin  
 2010/0328420 A1 12/2010 Roman  
 2011/0019294 A1 \* 1/2011 Strong ..... G02B 7/04  
 359/823  
 2011/0043683 A1 2/2011 Beach et al.  
 2011/0110654 A1 5/2011 Maki  
 2012/0157160 A1 6/2012 Ozcan et al.  
 2012/0236425 A1 \* 9/2012 O'Neill ..... G02B 7/14  
 359/827  
 2013/0028591 A1 1/2013 Hicks  
 2013/0094846 A1 4/2013 Apter  
 2013/0135759 A1 5/2013 O'Neill  
 2013/0148954 A1 6/2013 Uehara et al.  
 2013/0206614 A1 8/2013 O'Neill et al.  
 2014/0078594 A1 3/2014 Springer  
 2014/0176690 A1 6/2014 Hamel  
 2014/0227026 A1 8/2014 O'Neill et al.  
 2014/0267882 A1 9/2014 O'Neill et al.  
 2014/0320987 A1 10/2014 O'Neill et al.  
 2015/0002950 A1 \* 1/2015 O'Neill ..... G02B 7/14  
 359/827  
 2015/0042877 A1 \* 2/2015 O'Neill ..... H04N 5/2254  
 348/376  
 2015/0116851 A1 4/2015 O'Neill et al.  
 2015/0172522 A1 6/2015 O'Neill et al.  
 2015/0222315 A1 \* 8/2015 O'Neill ..... H04B 1/3888  
 455/575.8  
 2015/0293430 A1 \* 10/2015 O'Neill ..... G03B 17/565  
 396/544

FOREIGN PATENT DOCUMENTS

CN 301914880 \* 5/2012  
 JP 10-115858 5/1998  
 JP H11-119335 4/1999  
 JP 2000-311427 11/2000  
 JP 2002-027292 1/2002  
 JP 2003-295307 10/2003  
 JP 2004-191897 7/2004  
 JP 2006 251150 9/2006  
 JP 2007-079362 3/2007  
 JP 2007 206137 8/2007  
 JP 2007-219433 8/2007  
 KR 10-0842373 7/2008  
 WO WO 2006 002674 1/2006  
 WO WO 2012/082738 6/2012  
 WO WO 2012/128936 9/2012  
 WO WO 2013/081264 6/2013  
 WO WO 2014/043266 3/2014  
 WO WO 2015/048143 4/2015

OTHER PUBLICATIONS

<https://www.ephotozine.com/article/olloclip-3-in-one-iphone-photo-lens-review-18816> Posted Mar. 23, 2012.\*  
[http://www.photographyblog.com/news/win\\_an\\_olloclip/](http://www.photographyblog.com/news/win_an_olloclip/) Posted Apr. 30, 2013.\*

(56)

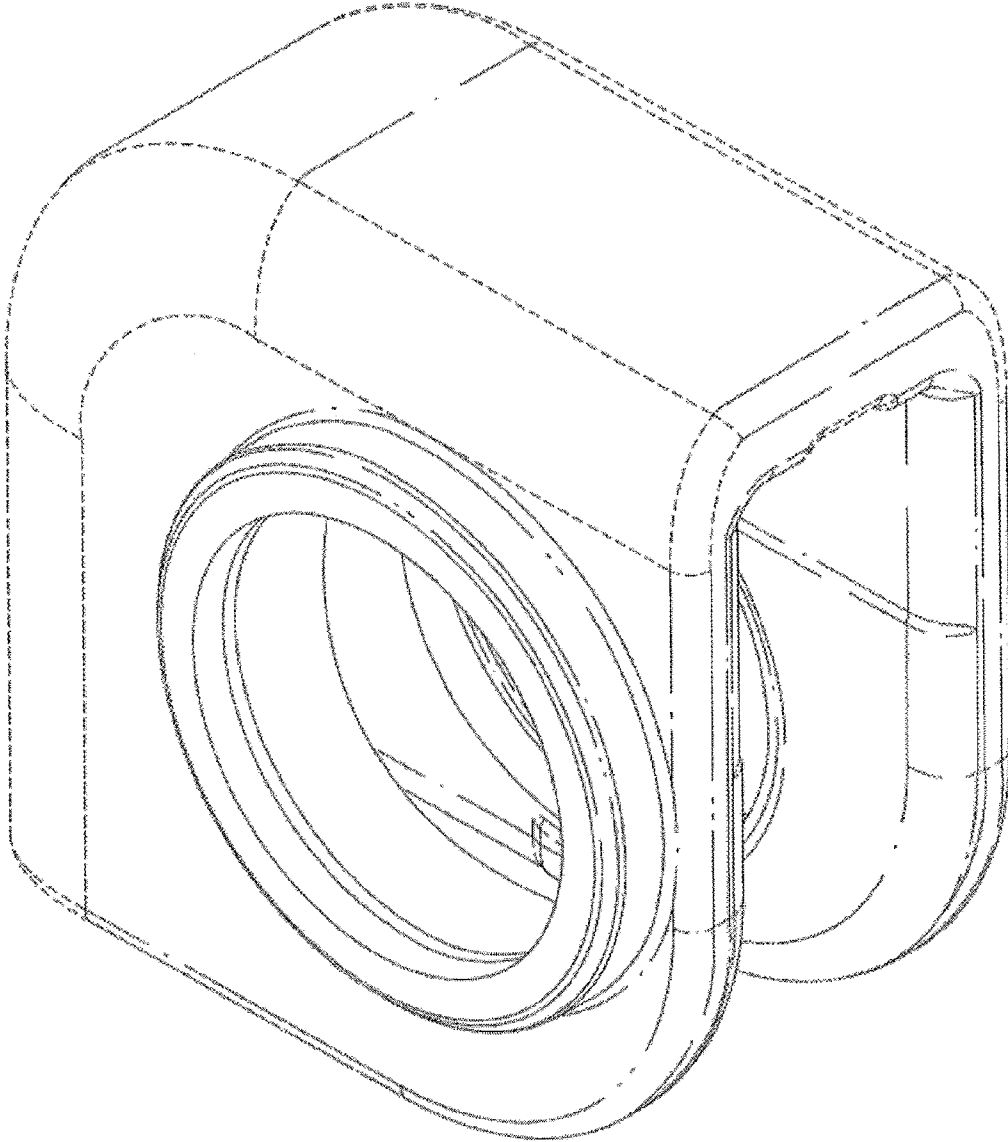
**References Cited**

## OTHER PUBLICATIONS

Design U.S. Appl. No. 29/452,461, filed Apr. 16, 2013, O'Neill et al.  
 Design U.S. Appl. No. 29/435,906, filed Oct. 30, 2013, O'Neill et al.  
 Design U.S. Appl. No. 29/473,545, filed Nov. 21, 2013, O'Neill et al.  
 Design U.S. Appl. No. 29/473,455, filed Nov. 21, 2013, O'Neill et al.  
 Design U.S. Appl. No. 29/473,456, filed Nov. 21, 2013, O'Neill et al.  
 Amazon.com: Fish Eye lens + Wide Angle Lens + Macro Lens 3-in-1 Kit for iPod iPhone 4g.  
 Focal, "Auxiliary Lens Set for Kodak Disc Camera", circa 1980s (photograph).  
 Kickstarter.com, "Glif—iPhone 4 Tripod Mount & Stand", <http://www.kickstarter.com/projects/danprovost/glif-iphone-4-tripod-mount-and-stand>, Oct. 3, 2013 (selected screenshots from video).  
 Amazon.com, "Bosch PS91-1A 12-Volt Max Lithium-Ion Inspection Camera Kit with 36-inch and 48-inch Imager, (1) Battery and Case," printed Mar. 12, 2014 in 6 pages, <http://www.amazon.com/Bosch-PS91-1A-Lithium-Ion-Inspection-36-Inch/dp/B004W7J2DI>.

Amazon.com, "Universal Smart Phone Lens Kit . . ." [http://www.amazon.com/Universal-Camera-including-Telephoto-Microfiber/dp/B00AV3ZUQA/ref=sr\\_1\\_5?ie=UTF8&qid=1416511486&sr=8-5&keywords=universal+smart+phone+camera+lens+kit+including+one+12x+telephoto+manual+focus+lens](http://www.amazon.com/Universal-Camera-including-Telephoto-Microfiber/dp/B00AV3ZUQA/ref=sr_1_5?ie=UTF8&qid=1416511486&sr=8-5&keywords=universal+smart+phone+camera+lens+kit+including+one+12x+telephoto+manual+focus+lens), [Customer Review Dated Jan. 27, 2013] printed Nov. 9, 2014 in 7 pages. "Olloclip for Android?", printed Nov. 9, 2014 in 3 pages, <http://forum.xda-developers.com/showthread.php?t=1721172s> [Specifically Customer Comment Dated Jul. 22, 2013].  
 "Phoneboat" <http://web.archive.org/web/20130415040755/http://www.phoneboat.com/buy.html> as captured Apr. 15, 2013 in 1 page.  
 Thinkbiologic.com, "Bike Mount for iPhone 4—Biologic Bicycle Accessories and Bike Gear," printed Mar. 12, 2014 in 2 pages, <http://web.archive.org/web/20130117201439/http://www.thinkbiologic.com/products/bike-mount-iphone-4>.  
 Strietelmeier, Julie, "Use Your 37mm DSLR Lenses with your Samsung Galaxy S4," Jun. 9, 2013, <http://the-gadgeteer.com/2013/06/09/use-your-37mm-dslr-lenses-with-your-samsung-galaxy-s4/>.  
 Youtube.com, "iPhone Colon Exam by Norm Augustinus," printed Mar. 12, 2014 in 1 page, [www.youtube.com/watch?v=S3pE8h8R-cE](http://www.youtube.com/watch?v=S3pE8h8R-cE).

\* cited by examiner



*FIG. 1*

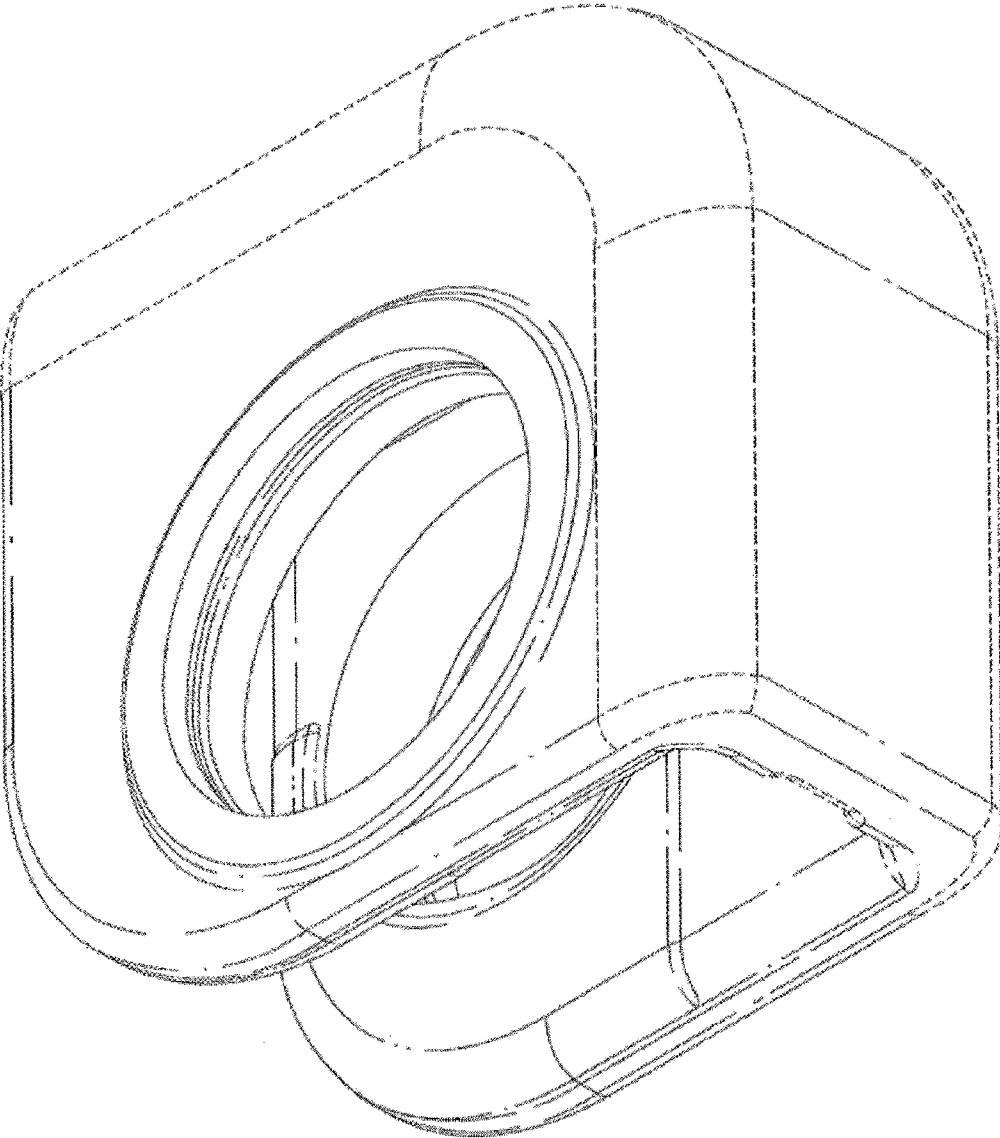


FIG. 2

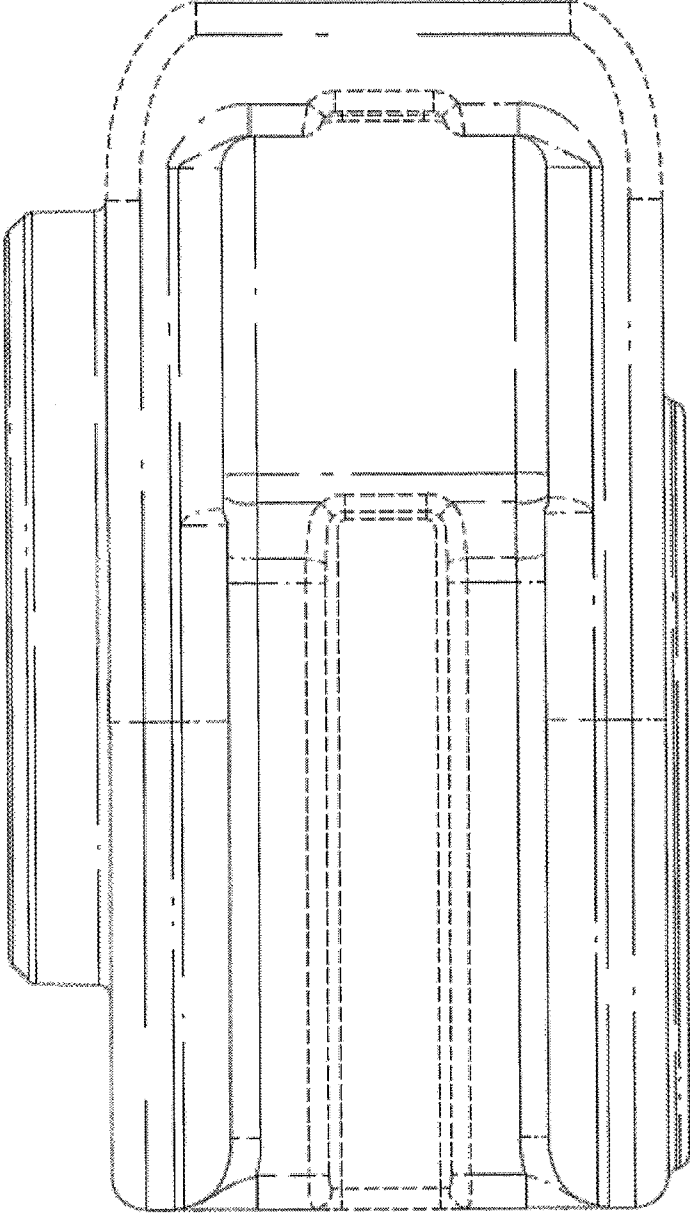


FIG. 3

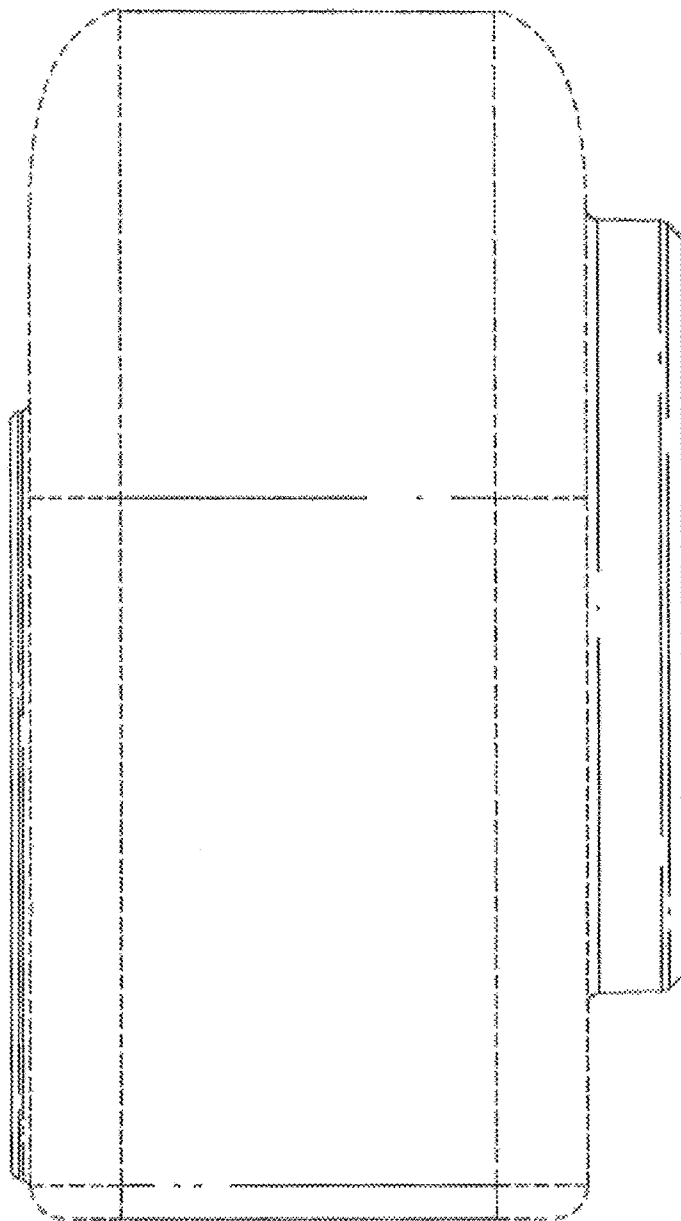
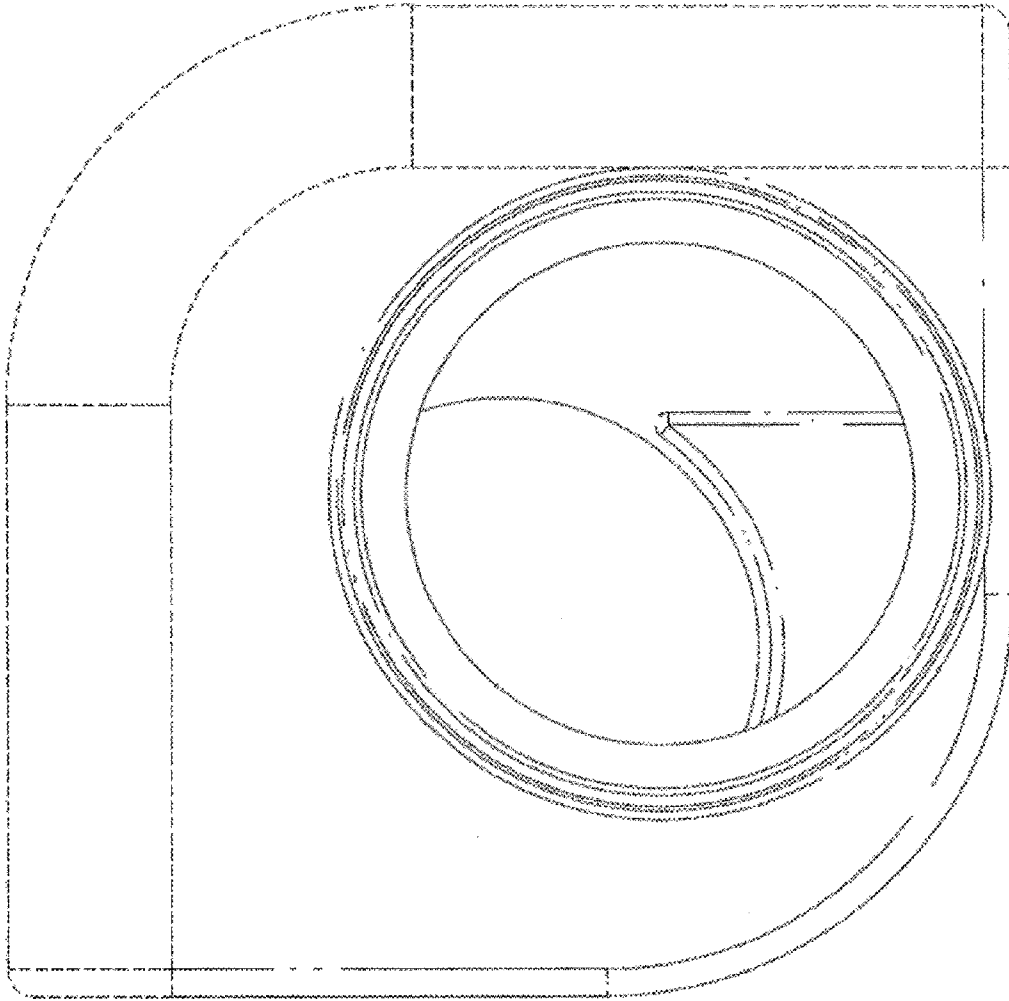


FIG. 4



*FIG. 5*



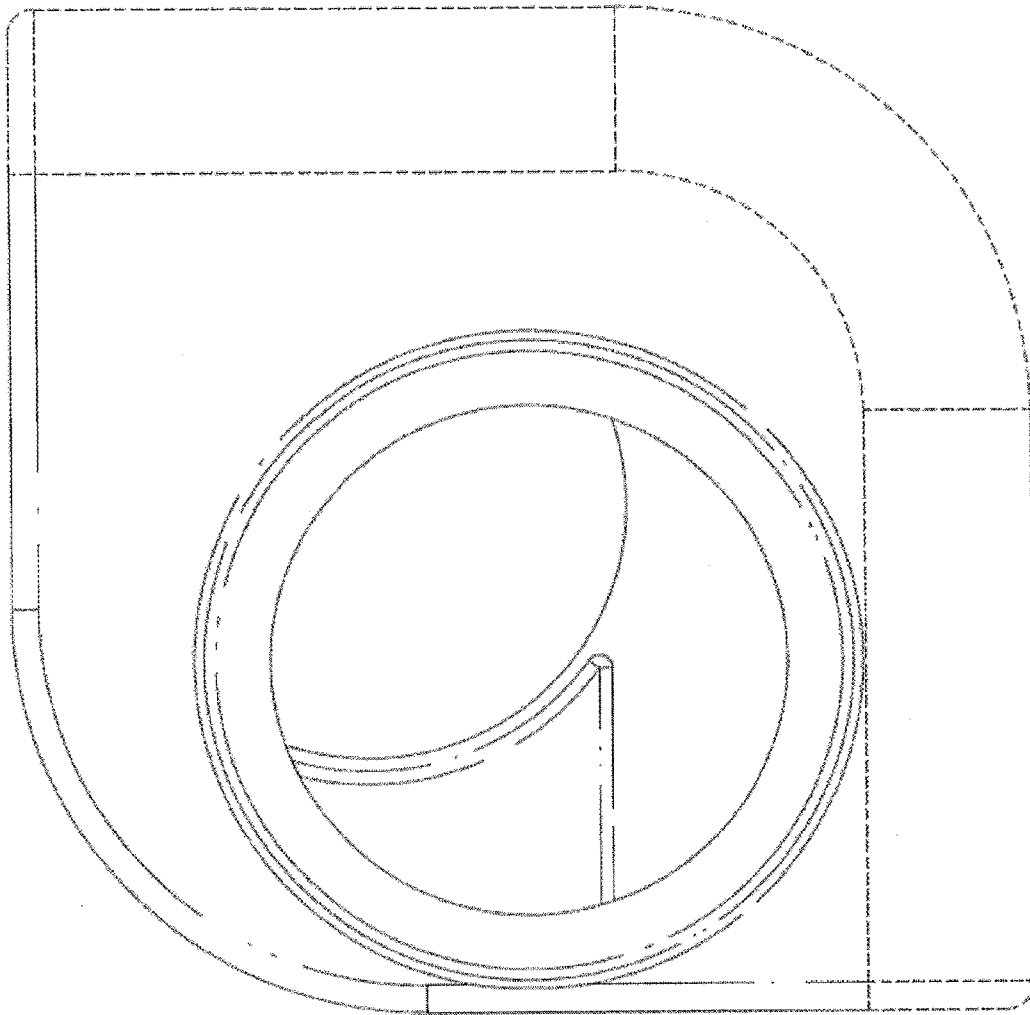


FIG. 6

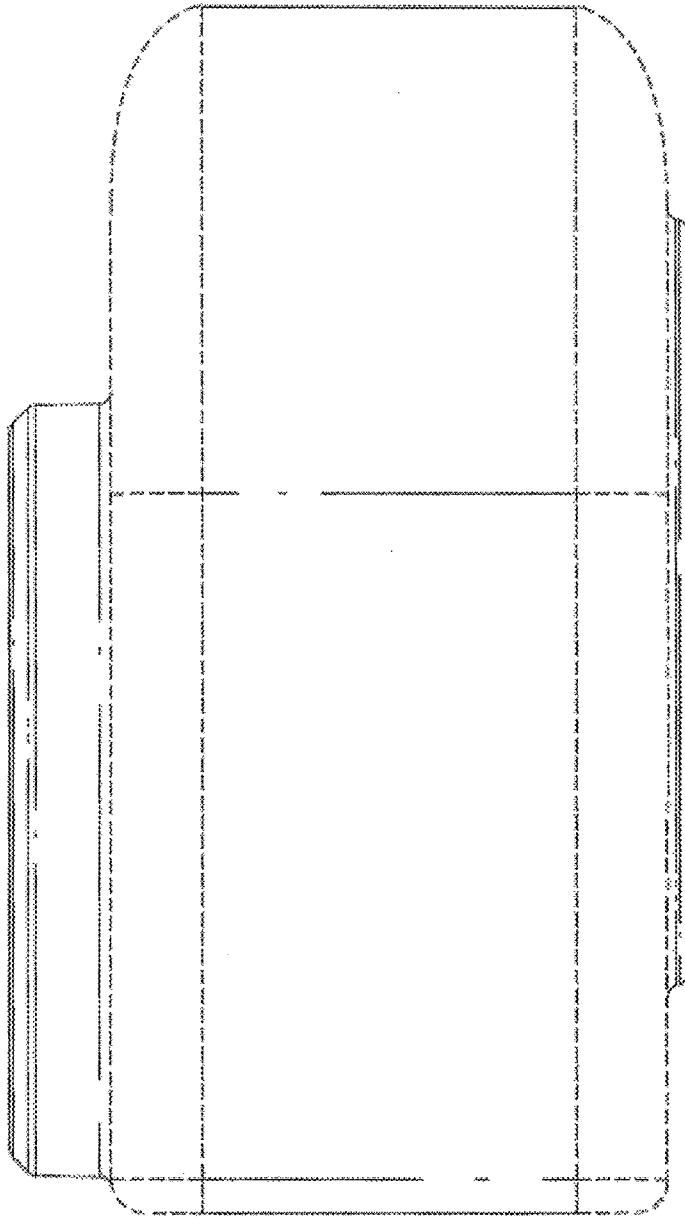
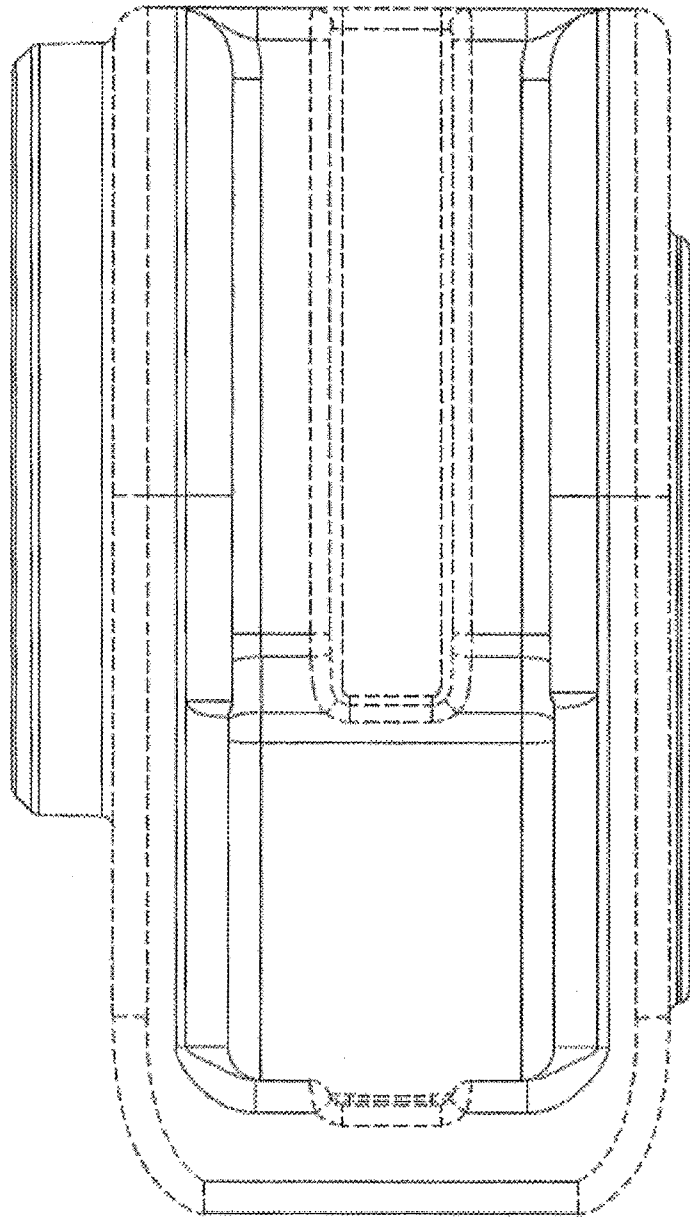


FIG. 7



*FIG. 8*