



US00D354364S

# United States Patent [19] Yuen

[11] Patent Number: Des. 354,364

[45] Date of Patent: \*\* Jan. 10, 1995

- [54] MULTI-PURPOSE FLUORESCENT LANTERN
- [75] Inventor: **John Se-Kit Yuen**, Kowloon, Hong Kong
- [73] Assignee: **John Manufacturing Limited**, Kowloon, Hong Kong
- [\*\*] Term: **14 Years**
- [21] Appl. No.: **8,946**
- [22] Filed: **Jun. 1, 1993**

- [30] Foreign Application Priority Data
  - Dec. 1, 1992 [GB] United Kingdom ..... 2027514
- [52] U.S. Cl. .... **D26/42; D26/44**
- [58] Field of Search ..... **D26/37-50; 362/157, 158, 183, 184, 188-203**

- [56] References Cited
  - U.S. PATENT DOCUMENTS**
  - D. 344,152 2/1994 Yuen ..... D26/42 X
  - 4,977,489 12/1990 Fung ..... 362/184

### FOREIGN PATENT DOCUMENTS

- 2007195 5/1990 United Kingdom .
- 9021155.8 9/1990 United Kingdom .
- 2016495 8/1991 United Kingdom .
- 2017379 9/1991 United Kingdom .

*Primary Examiner*—Susan J. Lucas  
*Attorney, Agent, or Firm*—Fay, Sharpe, Beall, Fagan, Minnich & McKee

### [57] CLAIM

The ornamental design for a multi-purpose fluorescent lantern, as shown and described.

### DESCRIPTION

FIG. 1 is a rear elevational view of a multi-purpose fluorescent lantern showing my new design; FIG. 2 is a top plan view thereof; FIG. 3 is a left side elevational view thereof; FIG. 4 is a bottom plan view thereof; FIG. 5 is a front elevational view thereof; FIG. 6 is a right side elevational view thereof; and, FIG. 7 is a right side elevational view thereof with the fluorescent lantern in an alternate position.

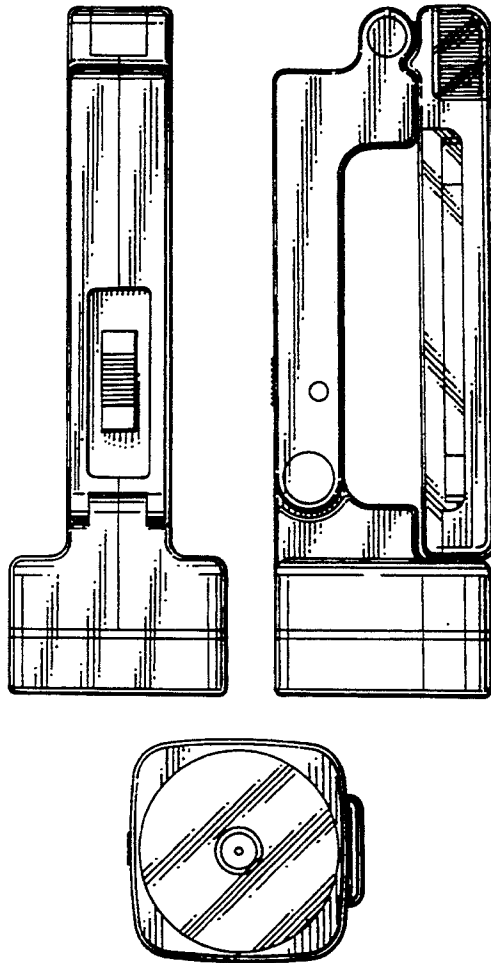


FIG. 1

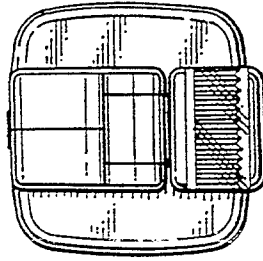


FIG. 2

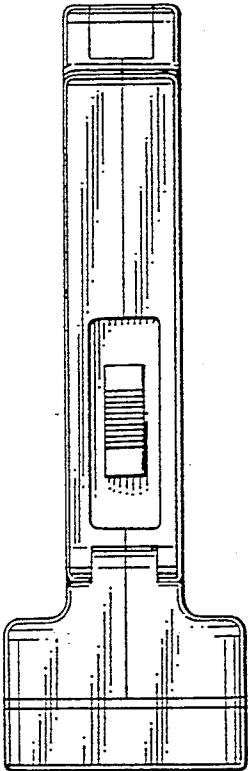


FIG. 3

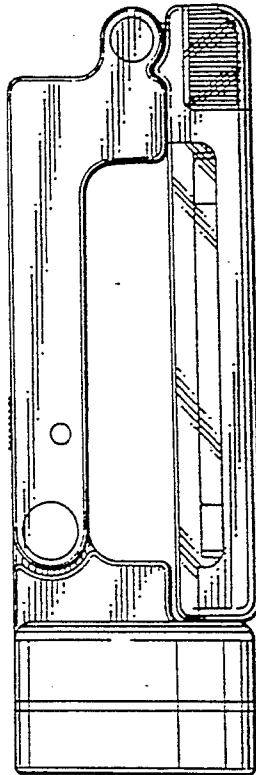


FIG. 4

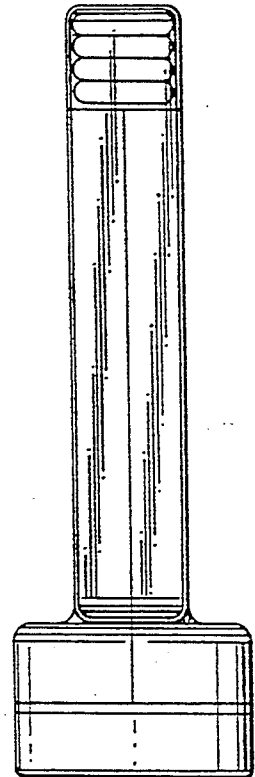
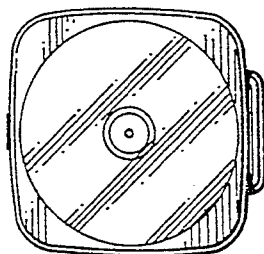


FIG. 5



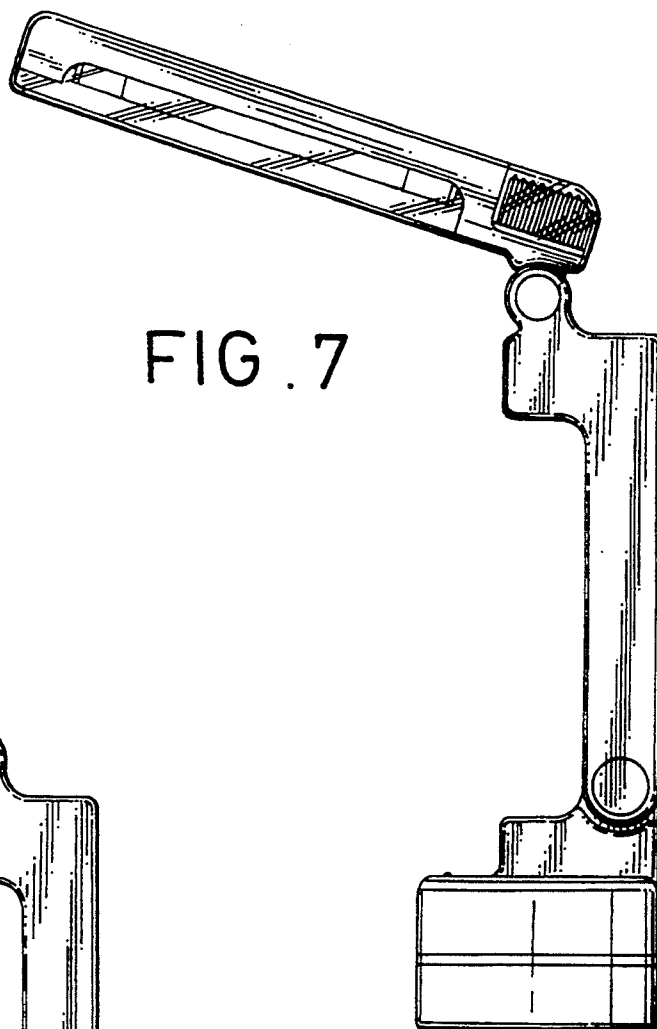


FIG. 7

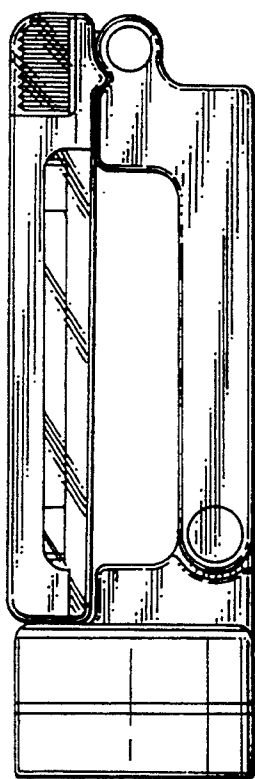


FIG. 6