



US00D993377S

(12) **United States Design Patent** (10) **Patent No.:** **US D993,377 S**
Andres (45) **Date of Patent:** **** Jul. 25, 2023**

(54) **SCENT DIFFUSER LID** D792,942 S * 7/2017 Adey B01D 21/2411
D23/209
(71) Applicant: **Scentair Technologies, LLC**, Charlotte, NC (US) D807,226 S 1/2018 Wessel
D832,414 S 10/2018 Sharma
D834,694 S 11/2018 Walter
(72) Inventor: **Logan T. Andres**, Indian Trail, NC (US) D847,323 S 4/2019 Gan
D850,596 S 6/2019 Wu
D865,149 S 10/2019 Lin
D867,346 S * 11/2019 Hofstede D14/222
(73) Assignee: **Scentair Technologies, LLC**, Charlotte, NC (US) D867,568 S * 11/2019 Gleixner D23/365
D873,401 S 1/2020 Chen
D896,945 S * 9/2020 Gleixner D23/365
D908,854 S 1/2021 Fitzsimmons
(**) Term: **15 Years** D935,593 S * 11/2021 Andres D23/366
2006/0180539 A1 * 8/2006 Wolf B01D 35/30
(21) Appl. No.: **29/814,813** 210/232
2014/0373494 A1 * 12/2014 Lepine B01D 46/0005
(22) Filed: **Nov. 9, 2021** 55/502
2018/0161471 A1 6/2018 Davis

Related U.S. Application Data

(62) Division of application No. 29/720,545, filed on Jan. 14, 2020, now Pat. No. Des. 935,593.
(51) **LOC (14) Cl.** **28-99**
(52) **U.S. Cl.**
USPC **D23/366**
(58) **Field of Classification Search**
USPC D23/209, 314, 325, 333-336, 355-366, D23/386-388
CPC Y10T 428/1366; B32B 2597/00; B01D 46/00; B01D 46/0004; B01D 27/04; F25D 17/042; A61L 9/01
See application file for complete search history.

References Cited

U.S. PATENT DOCUMENTS

D387,354 S * 12/1997 Ueng D14/222
D493,874 S 8/2004 Woods
7,651,077 B1 * 1/2010 Rosener A61L 9/127
261/104
D716,427 S 10/2014 Lim
D717,420 S * 11/2014 Von Seggern D23/365

* cited by examiner

Primary Examiner — John A Voytek
(74) *Attorney, Agent, or Firm* — Schwartz Law Firm, P.C.

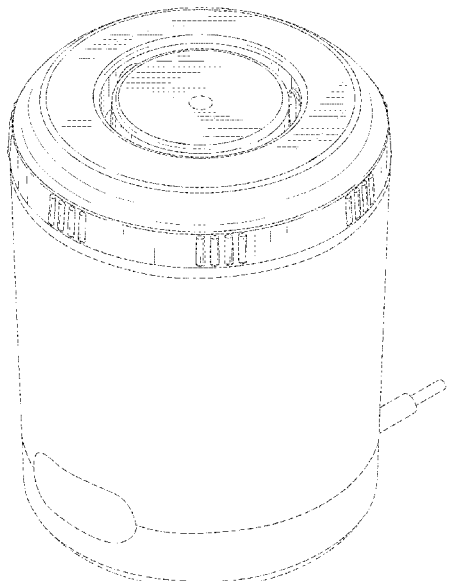
CLAIM

(57) I claim the ornamental design for a scent diffuser lid, as shown and described.

DESCRIPTION

FIG. 1 is a top perspective view of the scent diffuser lid;
FIG. 2 is a further top perspective view thereof;
FIG. 3 is a bottom perspective view thereof;
FIG. 4 is a top view thereof;
FIG. 5 is a bottom view thereof;
FIG. 6 is a first side view thereof;
FIG. 7 is a second side view thereof;
FIG. 8 is a third side view thereof; and,
FIG. 9 is a fourth side view thereof.
Features of the scent diffuser lid shown in broken lines in the drawings form no part of the claimed design.

1 Claim, 4 Drawing Sheets



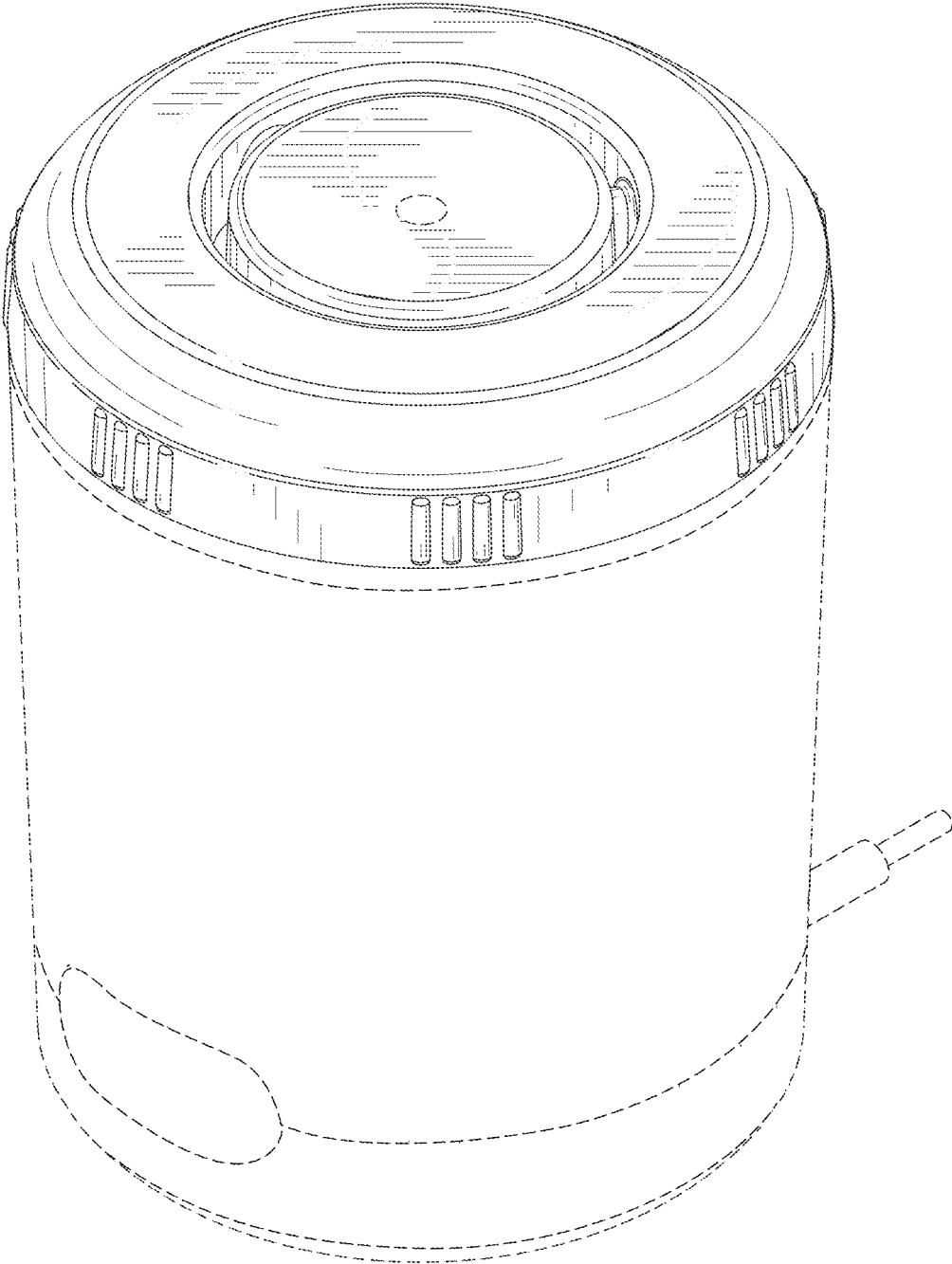


FIG. 1

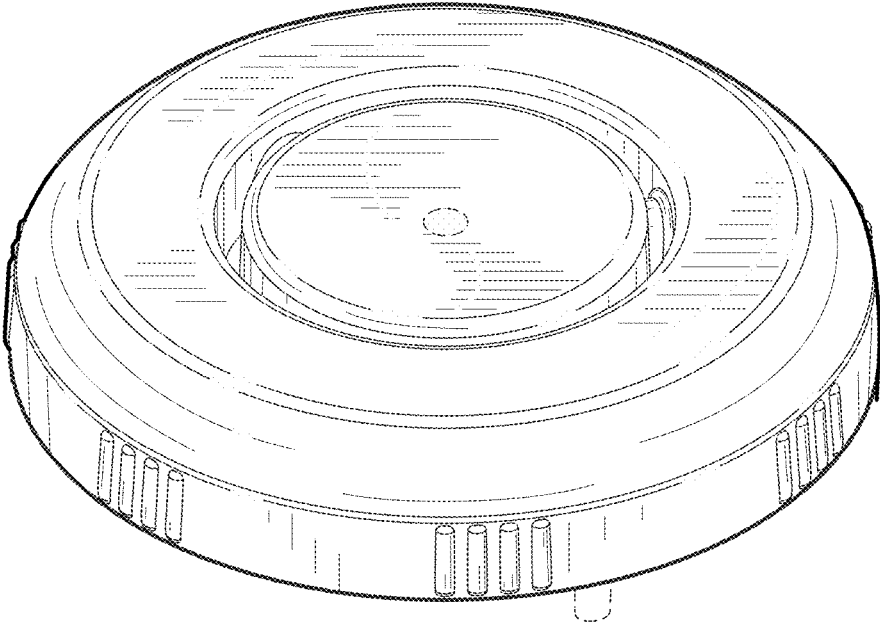


FIG. 2

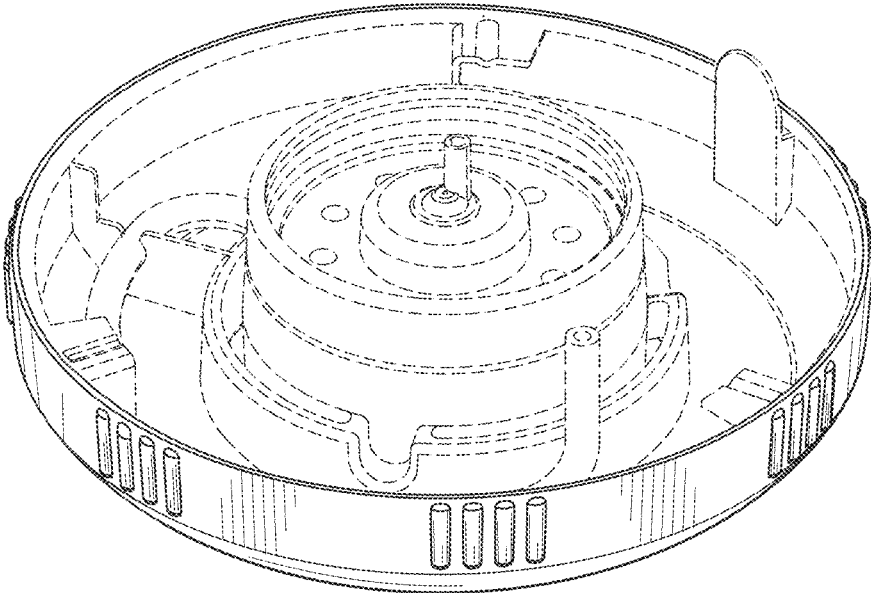


FIG. 3

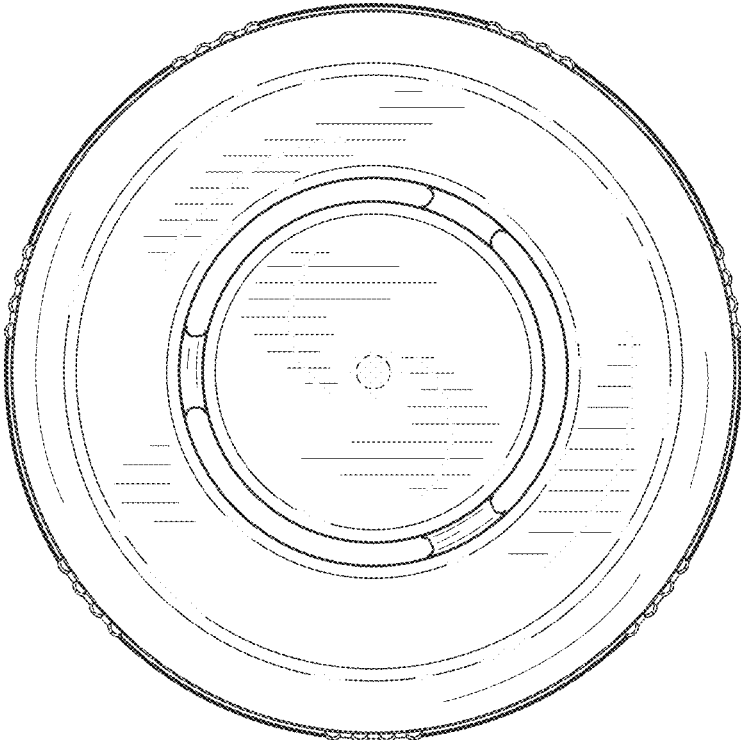


FIG. 4

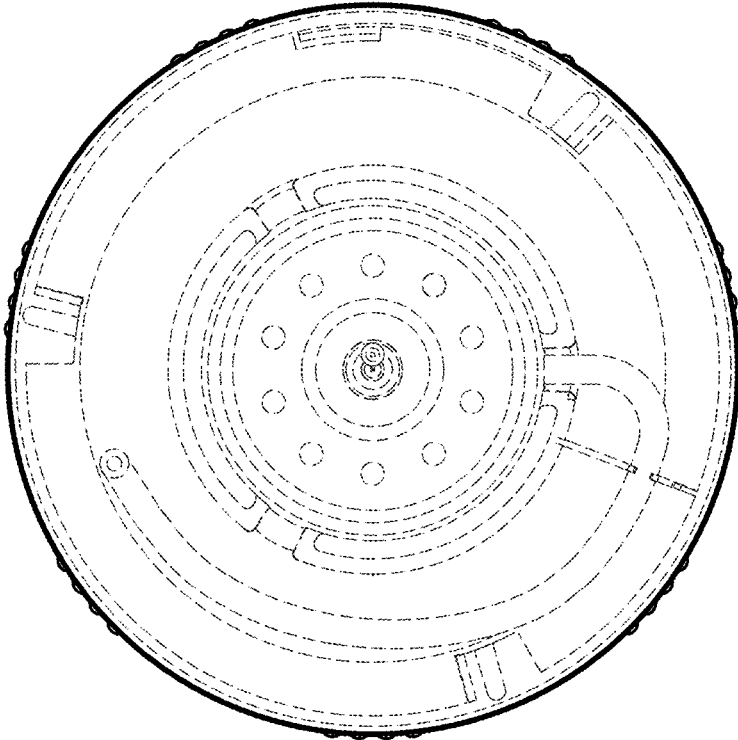


FIG. 5

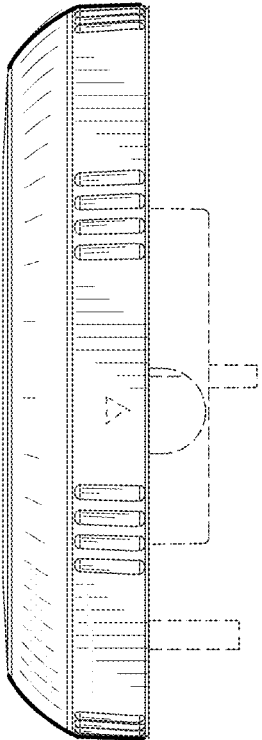


FIG. 7

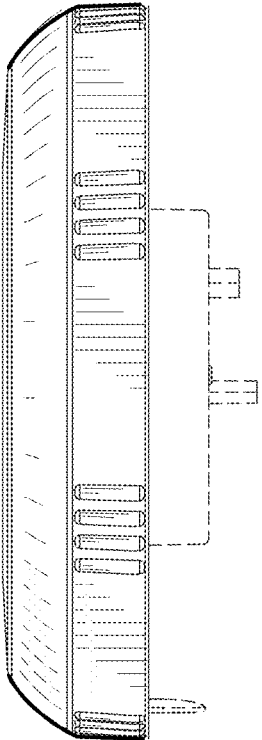


FIG. 9

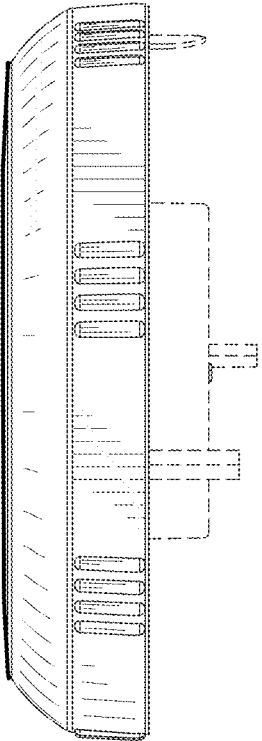


FIG. 6

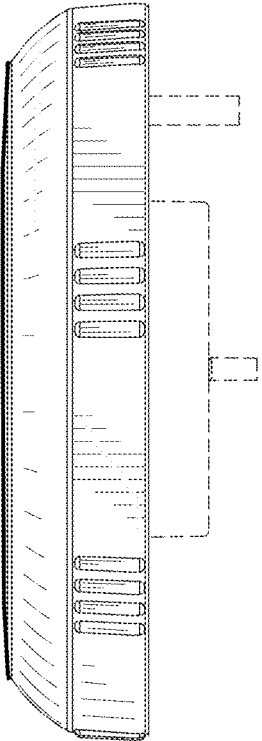


FIG. 8