



US00D567240S

(12) **United States Design Patent**
Griffin

(10) **Patent No.:** **US D567,240 S**

(45) **Date of Patent:** **** Apr. 22, 2008**

(54) **KEYBOARD WHICH IS CONNECTABLE TO AN ELECTRONIC DEVICE**

(76) Inventor: **Paul Griffin**, 2846 Polo Club Rd., Nashville, TN (US) 37221

(**) Term: **14 Years**

(21) Appl. No.: **29/291,981**

(22) Filed: **Sep. 24, 2007**

Related U.S. Application Data

(62) Division of application No. 29/262,721, filed on Jul. 10, 2006, now Pat. No. Des. 557,263.

(51) **LOC (8) Cl.** **14-02**

(52) **U.S. Cl.** **D14/392**

(58) **Field of Classification Search** D14/391-399; D18/1, 2, 7, 11; 178/17 A, 17 C; 200/5 A, 200/5 R, 6 A, 6 R; 235/145 A, 145 R; 345/160, 345/168, 169, 1.3; 341/22, 23; 400/484-489, 400/492; 361/680-686

See application file for complete search history.

(56) **References Cited**

U.S. PATENT DOCUMENTS

- 5,410,333 A * 4/1995 Conway 345/169
- 5,712,760 A * 1/1998 Coulon et al. 361/680
- 5,995,025 A * 11/1999 Sternglass et al. 341/22
- 6,215,420 B1 * 4/2001 Harrison et al. 341/22
- D470,493 S * 2/2003 Tritschler et al. D14/393
- 6,594,142 B2 * 7/2003 Katz 361/680
- 6,642,909 B1 * 11/2003 Oliva 345/1.3

- D486,488 S * 2/2004 Olodort et al. D14/396
- 6,714,403 B2 * 3/2004 Furuki et al. 361/680
- 6,999,008 B2 * 2/2006 Wang et al. 341/22
- 2002/0163778 A1 * 11/2002 Hazzard et al. 361/683
- 2003/0048595 A1 * 3/2003 Hsieh et al. 361/680

* cited by examiner

Primary Examiner—Freda S Nunn

(74) *Attorney, Agent, or Firm*—Michael E. McKee

(57) **CLAIM**

The ornamental design for a keyboard which is connectable to an electronic device, as shown and described.

DESCRIPTION

FIG. 1 is a perspective view of a keyboard which is connectable to an electronic device showing my new design;

FIG. 2 is a top view thereof;

FIG. 3 is a front view thereof;

FIG. 4 is a rear view thereof;

FIG. 5 is a side elevational view thereof as seen from the right in FIG. 4, the side elevational view thereof as seen from the left in FIG. 4 being a mirror image thereof; and,

FIG. 6 is a perspective view thereof from an angle similar to that in which the FIG. 1 view is shown and illustrating in dotted lines an example of an electronic device to which the FIG. 1 embodiment can be connected; it being understood that the broken lines are shown for illustrative purposes only and form no part of the claimed design.

The bottom view of the keyboard is plain and unornamented.

1 Claim, 4 Drawing Sheets

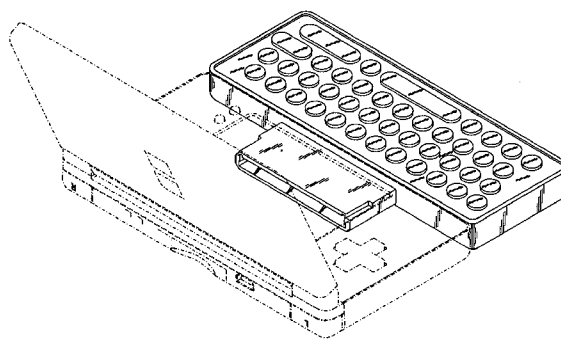
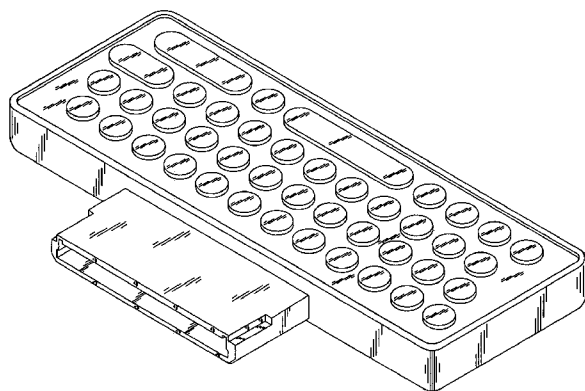


FIG. 1

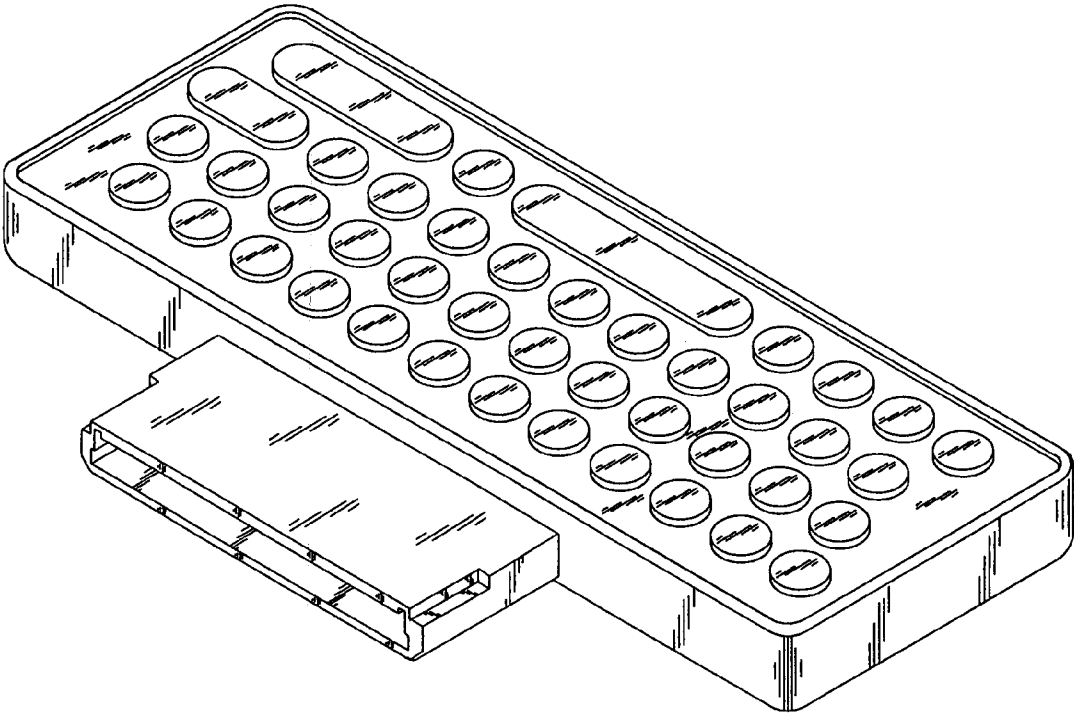


FIG. 2

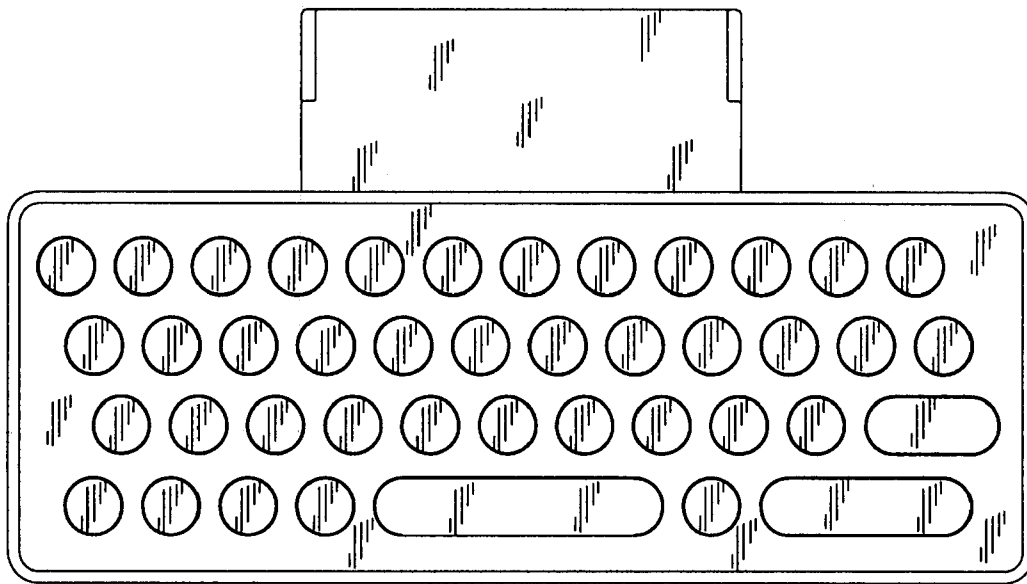


FIG. 3



FIG. 4

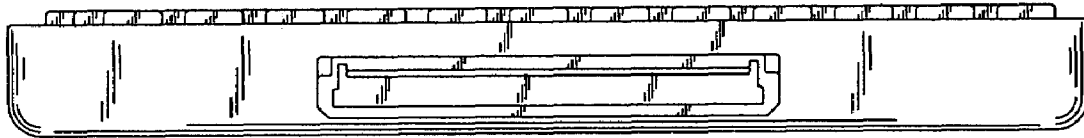


FIG. 5

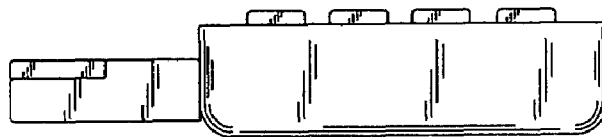


FIG. 6

