



- (51) International Patent Classification:  
*B62D 21/15* (2006.01) *B62D 25/00* (2006.01)
- (21) International Application Number:  
PCT/IB2013/002719
- (22) International Filing Date:  
10 December 2013 (10.12.2013)
- (25) Filing Language: English
- (26) Publication Language: English
- (30) Priority Data:  
2012-270575 11 December 2012 (11.12.2012) JP
- (71) Applicant (for all designated States except US):  
**TOYOTA JIDOSHA KABUSHIKI KAISHA** [JP/JP]; 1,  
Toyota-cho, Toyota-shi, Aichi-ken, 471-8571 (JP).
- (72) Inventors; and
- (71) Applicants (for US only): **ITO, Keita** [JP/JP]; c/o  
TOYOTA JIDOSHA KABUSHIKI KAISHA, of 1,  
Toyota-cho, Toyota-shi, Aichi-ken, 471-8571 (JP).  
**WATANABE, Shinya** [JP/JP]; c/o TOYOTA JIDOSHA  
KABUSHIKI KAISHA, of 1, Toyota-cho, Toyota-shi,  
Aichi-ken, 471-8571 (JP). **FUKUNAGA, Hirokatsu**  
[JP/JP]; c/o TOYOTA JIDOSHA KABUSHIKI KAISHA,  
of 1, Toyota-cho, Toyota-shi, Aichi-ken, 471-8571 (JP).  
**ISHIKAWA, Akihiko** [JP/JP]; c/o TOYOTA JIDOSHA  
KABUSHIKI KAISHA, of 1, Toyota-cho, Toyota-shi,  
Aichi-ken, 471-8571 (JP).

(81) Designated States (unless otherwise indicated, for every kind of national protection available): AE, AG, AL, AM, AO, AT, AU, AZ, BA, BB, BG, BH, BN, BR, BW, BY, BZ, CA, CH, CL, CN, CO, CR, CU, CZ, DE, DK, DM, DO, DZ, EC, EE, EG, ES, FI, GB, GD, GE, GH, GM, GT, HN, HR, HU, ID, IL, IN, IR, IS, KE, KG, KN, KP, KR, KZ, LA, LC, LK, LR, LS, LT, LU, LY, MA, MD, ME, MG, MK, MN, MW, MX, MY, MZ, NA, NG, NI, NO, NZ, OM, PA, PE, PG, PH, PL, PT, QA, RO, RS, RU, RW, SA, SC, SD, SE, SG, SK, SL, SM, ST, SV, SY, TH, TJ, TM, TN, TR, TT, TZ, UA, UG, US, UZ, VC, VN, ZA, ZM, ZW.

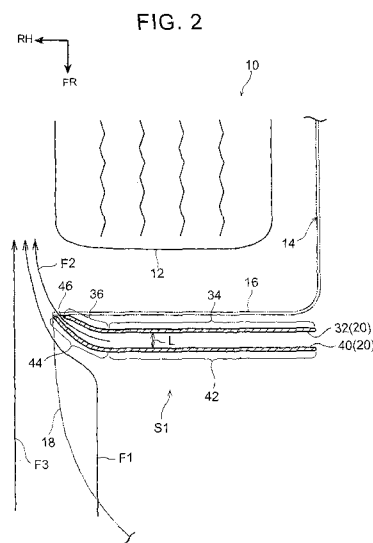
(84) Designated States (unless otherwise indicated, for every kind of regional protection available): ARIPO (BW, GH, GM, KE, LR, LS, MW, MZ, NA, RW, SD, SL, SZ, TZ, UG, ZM, ZW), Eurasian (AM, AZ, BY, KG, KZ, RU, TJ, TM), European (AL, AT, BE, BG, CH, CY, CZ, DE, DK, EE, ES, FI, FR, GB, GR, HR, HU, IE, IS, IT, LT, LU, LV, MC, MK, MT, NL, NO, PL, PT, RO, RS, SE, SI, SK, SM, TR), OAPI (BF, BJ, CF, CG, CI, CM, GA, GN, GQ, GW, KM, ML, MR, NE, SN, TD, TG).

**Published:**

- with international search report (Art. 21(3))
- before the expiration of the time limit for amending the claims and to be republished in the event of receipt of amendments (Rule 48.2(h))

(88) Date of publication of the international search report:  
7 August 2014

(54) Title: VEHICLE LOWER STRUCTURE



(57) Abstract: A vehicle lower structure (S1) includes a plurality of spat body portions (32, 40) and a guide portion (44). The spat body portions (32, 40) are provided side by side in a vehicle longitudinal direction (L) on a vehicle front side of a wheel (12), are protruded from an underfloor (18) of the vehicle (10) toward a vehicle lower side, and extend in a vehicle width direction (W). The guide portion (44) constitutes vehicle-width-direction outer regions of the spat body portions (32, 40) in at least one of second and subsequent rows from a vehicle rear side, is inclined toward the vehicle rear side and outward in the vehicle width direction (W) to guide a traveling wind (F1), and has a vehicle-width-direction outer end that is arranged more outward in the vehicle width direction (W) than a vehicle-width-direction outer end of the spat body portion (40) that is adjacent to the vehicle rear side.

WO 2014/091289 A3

# INTERNATIONAL SEARCH REPORT

International application No  
PCT/IB2013/002719

<b>A. CLASSIFICATION OF SUBJECT MATTER</b> INV. B62D21/15      B62D25/00 ADD.		
According to International Patent Classification (IPC) or to both national classification and IPC		
<b>B. FIELDS SEARCHED</b>		
Minimum documentation searched (classification system followed by classification symbols) B62D		
Documentation searched other than minimum documentation to the extent that such documents are included in the fields searched		
Electronic data base consulted during the international search (name of data base and, where practicable, search terms used) EPO-Internal, WPI Data, PAJ		
<b>C. DOCUMENTS CONSIDERED TO BE RELEVANT</b>		
Category*	Citation of document, with indication, where appropriate, of the relevant passages	Relevant to claim No.
X	US 6 286 867 B1 (BRAEMIG FALK-HAGEN [DE] ET AL) 11 September 2001 (2001-09-11) column 5, line 10 - column 7, line 28; figures 1-7 -----	1
X	DE 10 2009 036447 A1 (DAIMLER AG [DE]) 22 April 2010 (2010-04-22) page 3, paragraph 15 - page 3, paragraph 24 -----	1
A	JP 2004 106585 A (FUJI HEAVY IND LTD) 8 April 2004 (2004-04-08) the whole document -----	1-5
A	JP 2004 338468 A (NISSAN MOTOR) 2 December 2004 (2004-12-02) the whole document -----	1-5
<input type="checkbox"/> Further documents are listed in the continuation of Box C.		
<input checked="" type="checkbox"/> See patent family annex.		
* Special categories of cited documents :		
"A" document defining the general state of the art which is not considered to be of particular relevance "E" earlier application or patent but published on or after the international filing date "L" document which may throw doubts on priority claim(s) or which is cited to establish the publication date of another citation or other special reason (as specified) "O" document referring to an oral disclosure, use, exhibition or other means "P" document published prior to the international filing date but later than the priority date claimed	"T" later document published after the international filing date or priority date and not in conflict with the application but cited to understand the principle or theory underlying the invention "X" document of particular relevance; the claimed invention cannot be considered novel or cannot be considered to involve an inventive step when the document is taken alone "Y" document of particular relevance; the claimed invention cannot be considered to involve an inventive step when the document is combined with one or more other such documents, such combination being obvious to a person skilled in the art "&" document member of the same patent family	
Date of the actual completion of the international search  <p style="text-align: center; font-size: 1.2em;">27 May 2014</p>	Date of mailing of the international search report  <p style="text-align: center; font-size: 1.2em;">06/06/2014</p>	
Name and mailing address of the ISA/ European Patent Office, P.B. 5818 Patentlaan 2 NL - 2280 HV Rijswijk Tel. (+31-70) 340-2040, Fax: (+31-70) 340-3016	Authorized officer  <p style="text-align: center; font-size: 1.2em;">Spinelli, Vito</p>	

# INTERNATIONAL SEARCH REPORT

Information on patent family members

International application No

PCT/IB2013/002719

Patent document cited in search report	Publication date	Patent family member(s)	Publication date
US 6286867	B1	11-09-2001	
		BR 9903607 A	19-09-2000
		DE 19836851 C1	30-03-2000
		EP 0980815 A1	23-02-2000
		ES 2197551 T3	01-01-2004
		JP 2000085631 A	28-03-2000
		KR 20000017203 A	25-03-2000
		US 6286867 B1	11-09-2001
-----			
DE 102009036447	A1	22-04-2010	NONE
-----			
JP 2004106585	A	08-04-2004	NONE
-----			
JP 2004338468	A	02-12-2004	NONE
-----			