



US00D843341S

(12) **United States Design Patent**
Imblum

(10) **Patent No.:** **US D843,341 S**

(45) **Date of Patent:** **** Mar. 19, 2019**

- (54) **SPEAKER CABINET**
- (71) Applicant: **REMBRANDT LABORATORIES, LLC**, Irvine, CA (US)
- (72) Inventor: **Ray Imblum**, Irvine, CA (US)
- (**) Term: **15 Years**
- (21) Appl. No.: **29/576,180**
- (22) Filed: **Aug. 31, 2016**
- (51) **LOC (11) Cl.** **14-01**
- (52) **U.S. Cl.**
USPC **D14/204**
- (58) **Field of Classification Search**
USPC D14/167, 168, 170–172, 188, 204, 209.1, D14/210–216, 219, 221, 222, 224; 181/144, 148, 153, 157, 198; 369/6–12; 381/301–303, 306, 332, 334, 336, 345, 381/361–363, 386–388
CPC G06F 1/1688; H04R 1/02; H04R 1/025; H04R 1/026; H04R 1/323; H04R 1/403; H04R 1/2803; H04R 1/2834; H04R 5/02; H04R 9/06; H04R 2201/021; H04R 2400/00; H04R 2400/07; H04R 2499/11
See application file for complete search history.

- 6,618,488 B2 * 9/2003 Nakamura H04R 1/2819
181/199
- D570,410 S * 6/2008 Moro D19/181
- 8,157,049 B1 * 4/2012 Meyer H04R 1/2888
181/199

* cited by examiner

Primary Examiner — Derrick E Holland

Assistant Examiner — Janice Patyk

(74) *Attorney, Agent, or Firm* — Benjamin Diederich

(57) **CLAIM**

The ornamental design for a speaker cabinet, as shown and described.

DESCRIPTION

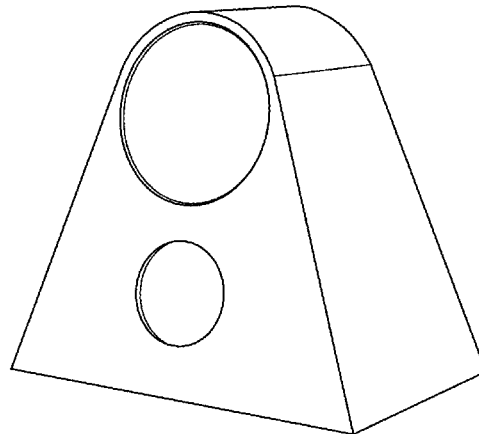
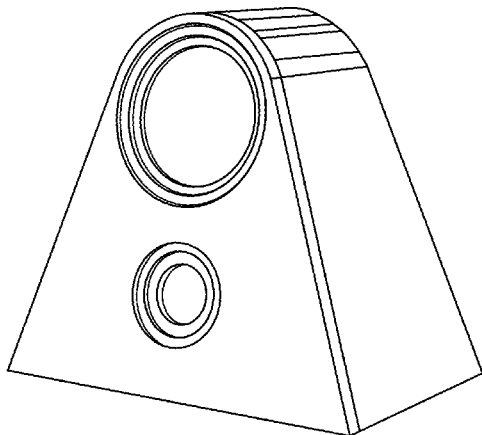
FIG. 1 is a top perspective view of a first embodiment of a speaker cabinet showing my new design, FIG. 2 is a front view thereof; FIG. 3 is a rear view thereof; FIG. 4 is a left side view thereof; FIG. 5 is a right side view thereof; FIG. 6 is a top view thereof; FIG. 7 is a bottom view thereof; FIG. 8 is a top perspective view of a second embodiment of a speaker cabinet, showing my new design; FIG. 9 is a front view thereof; FIG. 10 is a rear view thereof; FIG. 11 is a left side view thereof, the right side view being a mirror image thereof; FIG. 12 is a top view thereof; and, FIG. 13 is a bottom view thereof. The broken lines on the rear and bottom of the speaker cabinet of FIGS. 3, 6, and 7 illustrate the portions of the design that form no part of the claimed design. All sides not shown in the views form no part of the claimed design.

(56) **References Cited**

U.S. PATENT DOCUMENTS

- 4,142,604 A * 3/1979 Smith H04R 1/021
181/154
- 4,837,826 A * 6/1989 Schupbach H04R 1/403
181/145
- 4,991,688 A * 2/1991 Kery H04R 1/026
181/145
- D401,582 S * 11/1998 Gremchuck D14/210
- 6,104,674 A * 8/2000 Emoff G04F 1/005
368/109
- 6,152,257 A * 11/2000 Denham H04R 1/345
181/144
- D457,153 S * 5/2002 Allen D14/168

1 Claim, 7 Drawing Sheets



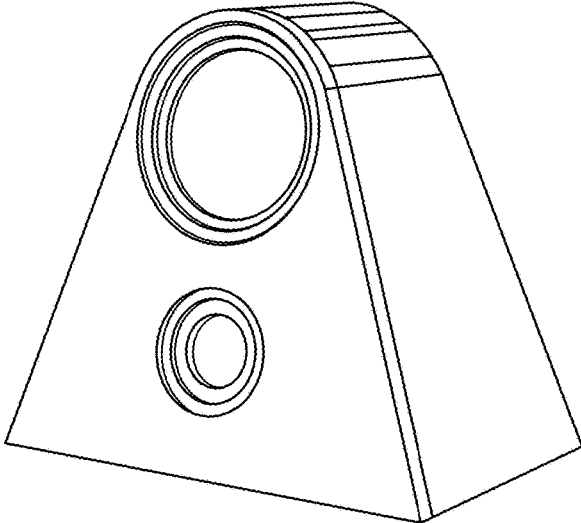


FIG. 1

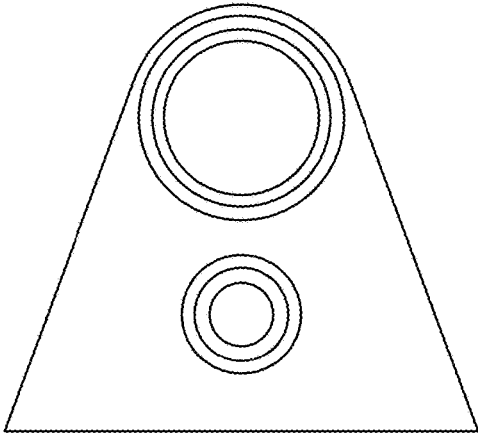


FIG. 2

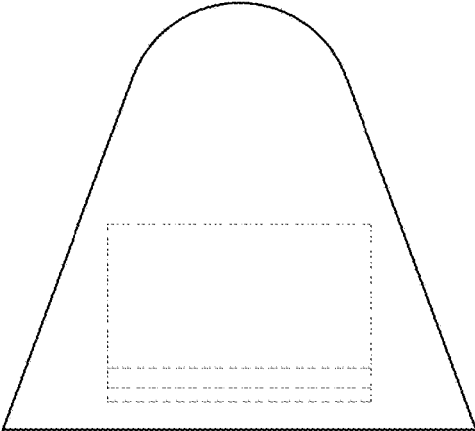


FIG. 3

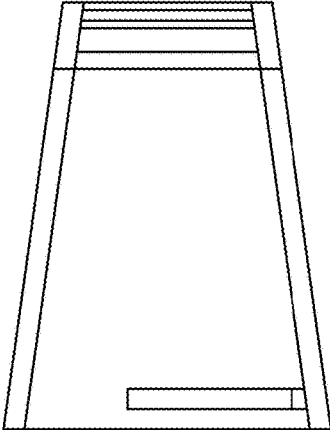


FIG. 4

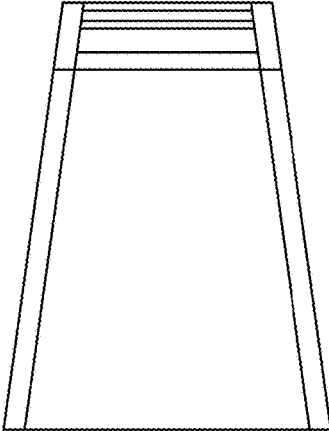


FIG. 5

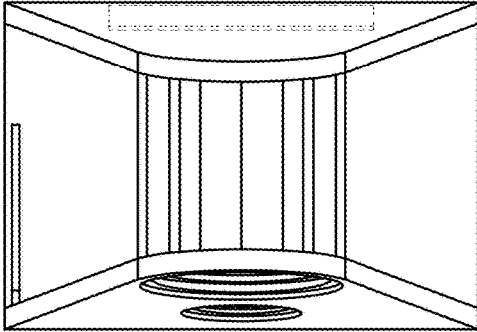


FIG. 6



FIG. 7

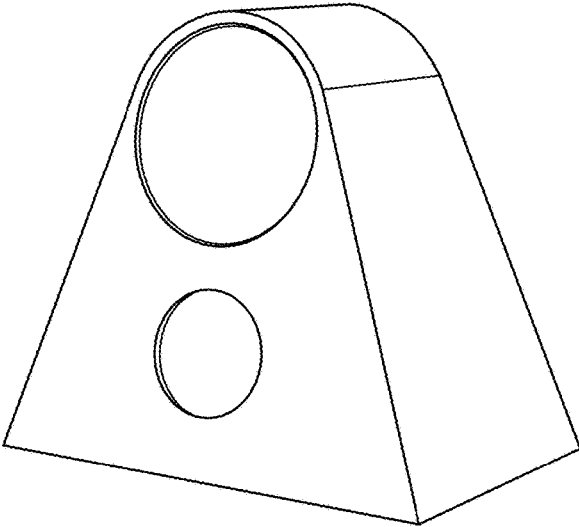


FIG. 8

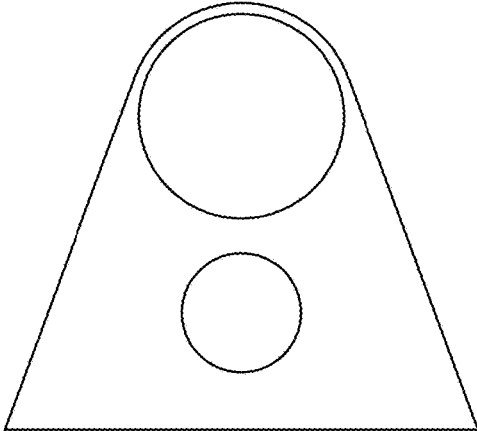


FIG. 9

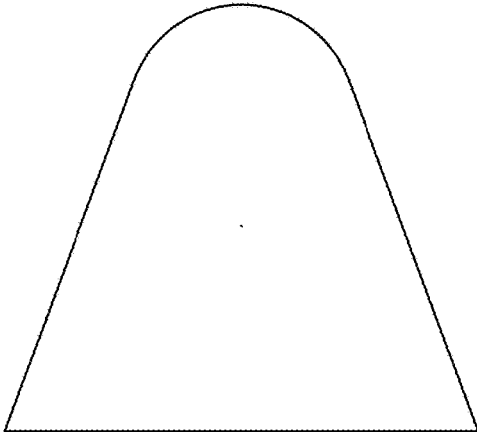


FIG. 10

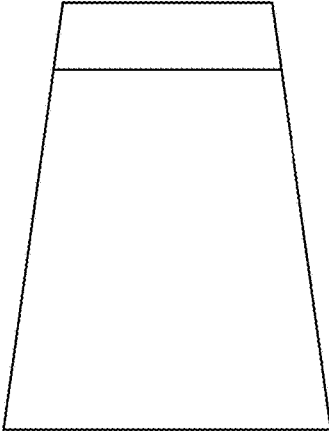


FIG. 11

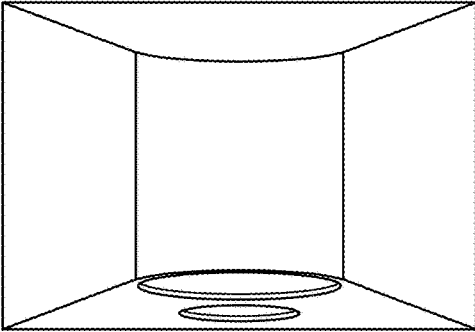


FIG. 12



FIG. 13