



US00D870387S

(12) **United States Design Patent**
Sherrill

(10) **Patent No.:** **US D870,387 S**

(45) **Date of Patent:** **** Dec. 17, 2019**

(54) **EXFOLIATION TOOL**

(71) Applicant: **Nurse Jamie, Inc.**, Santa Monica, CA (US)

(72) Inventor: **Jamie Sherrill**, Santa Monica, CA (US)

(73) Assignee: **NURSE JAMIE, INC.**, Santa Monica, CA (US)

(**) Term: **15 Years**

(21) Appl. No.: **29/593,638**

(22) Filed: **Feb. 10, 2017**

(51) **LOC (12) Cl.** **28-03**

(52) **U.S. Cl.**
USPC **D28/57**

(58) **Field of Classification Search**
USPC D28/9-10, 44, 57, 60, 73, 81, 85, 63;
D6/716.2; 132/76.4; D30/158-159;
15/188; 401/8; 4/606; 616/131
CPC A01K 13/002; A46B 9/023; A46B 9/06;
A46B 5/021; A46B 9/02
See application file for complete search history.

(56) **References Cited**

U.S. PATENT DOCUMENTS

666,759	A *	1/1901	Knickerbocker	B43K 23/012 132/114
D45,441	S *	3/1914	Williams	D28/63
D57,628	S *	4/1921	Finney	D28/9
D110,252	S *	6/1938	Lewis	D24/214
2,325,123	A *	7/1943	Isenberg	B05B 1/18 15/188
2,674,758	A *	4/1954	Fay	A46B 15/00 15/143.1
D211,888	S *	8/1968	Hall et al.	D6/536
D240,769	S *	7/1976	Bowman	D28/9
D282,689	S *	2/1986	McCormick	D28/91.2
D284,121	S *	6/1986	Kelly	D30/158
D291,258	S *	8/1987	Greer, Sr.	D32/40
D326,562	S *	6/1992	Bertwell	D30/158

D403,119	S *	12/1998	Vazquez	D28/63
6,076,222	A *	6/2000	Jolly	A63B 57/60 15/161
6,226,811	B1 *	5/2001	Fagan	A47K 7/024 15/207.2
D474,610	S *	5/2003	Park	D4/136
D477,112	S *	7/2003	Yeung	D28/18
D485,944	S *	1/2004	Grant	D20/32

(Continued)

FOREIGN PATENT DOCUMENTS

CN	304281504	*	9/2017
CN	304506946	*	2/2018
JP	D1205335	*	5/2004

OTHER PUBLICATIONS

Antimicrobial Silicone Lip Brush, Nurse Jamie, posted at kavitaCola.com, posted by Kavita Cola on Feb. 8, 2017 © 2015 Kavita Cola, online, site visited Jul. 3, 2018. Available from Internet, URL: <http://kavitaCola.com/nurse-jamie/> (Year: 2017).*

(Continued)

Primary Examiner — Shannon W Morgan

Assistant Examiner — Altaira J Swangin

(74) *Attorney, Agent, or Firm* — Ziegler IP Law Group, LLC

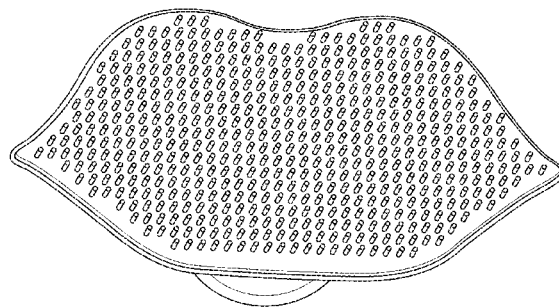
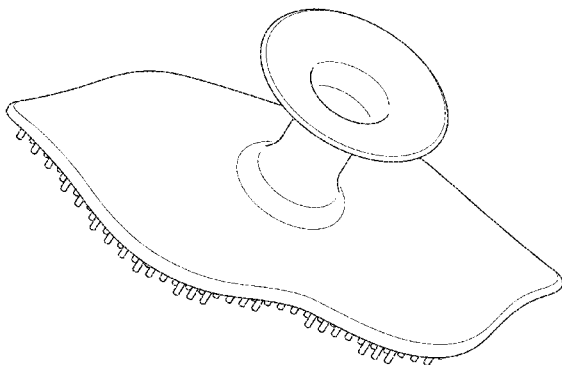
(57) **CLAIM**

The ornamental design for an exfoliation tool, as shown and described.

DESCRIPTION

FIG. 1 is a top perspective view of an exfoliation tool showing the new design;
FIG. 2 is a side view thereof;
FIG. 3 is a bottom view thereof;
FIG. 4 is a top view thereof; and,
FIG. 5 is another side view thereof.

1 Claim, 4 Drawing Sheets



(56)

References Cited

U.S. PATENT DOCUMENTS

D521,247	S *	5/2006	Huller	D4/125	10,285,494	B1 *	5/2019	Lho	A46B 11/002
D532,979	S *	12/2006	Viola	D4/129	2003/0220656	A1 *	11/2003	Gartstein	A45D 26/0004 606/131
D620,714	S *	8/2010	Bona-Kustra	D30/158	2015/0189979	A1 *	7/2015	Stanton	A46B 5/021 15/106
D632,487	S *	2/2011	Watanabe	D28/63	2016/0106203	A1 *	4/2016	Pulfrey	A46B 9/023 132/200
D782,827	S *	4/2017	Jenkins	D4/136	2017/0295903	A1 *	10/2017	Coffee	A45D 19/02
D784,094	S *	4/2017	Kim	D7/669	2018/0028395	A1 *	2/2018	Roth	A61H 7/003
D802,237	S *	11/2017	Huang	D32/35	2018/0064233	A1 *	3/2018	Riley	A46B 3/005
D814,804	S *	4/2018	Roth	D4/134	2018/0132452	A1 *	5/2018	Dionne	A01K 13/002
D822,387	S *	7/2018	Tai	D4/100	2018/0206626	A1 *	7/2018	Binnington	A46B 3/20
D823,606	S *	7/2018	Roth	D4/134	2018/0228477	A1 *	8/2018	Sherrill	A46B 9/021
D830,704	S *	10/2018	Treeby	D4/134	2018/0317641	A1 *	11/2018	Supple	A46B 9/021
D831,967	S *	10/2018	Hofer	D4/124	2018/0368363	A1 *	12/2018	Johnson	A01K 13/001
D834,333	S *	11/2018	Krus	D4/199	2019/0110584	A1 *	4/2019	Dunn	A46B 9/023
10,117,418	B2 *	11/2018	Sterling	A01K 13/004	2019/0174907	A1 *	6/2019	Wang	A46B 9/028
D835,418	S *	12/2018	Kephart	D4/124	2019/0174910	A1 *	6/2019	Xu	A45D 24/04
D837,532	S *	1/2019	Dunn	D4/136						
D838,045	S *	1/2019	Miller	D28/63						
D838,112	S *	1/2019	Yi	D4/120						
10,172,324	B2 *	1/2019	Lou	A01K 13/00						
D840,160	S *	2/2019	Sze	D4/136						
D840,161	S *	2/2019	Renner	D4/138						
D840,694	S *	2/2019	Yun	D4/127						
D841,270	S *	2/2019	Reaux	D32/40						
D845,001	S *	4/2019	Jack	D4/130						
10,278,364	B2 *	5/2019	Chen	A01K 13/002						

OTHER PUBLICATIONS

Silicone Face Scrubber, AOMUU, posted at amazon.com, posted by customer on Jan. 19, 2017 © 1996-2018 Amazon.com, Inc., online, site visited Jul. 18, 2018. Available from Internet, URL: <https://www.amazon.com/Silicone-Exfoliator-Cleansing-Precision-Blackheads/dp/B01NBL85T0> (Year: 2017).*

* cited by examiner

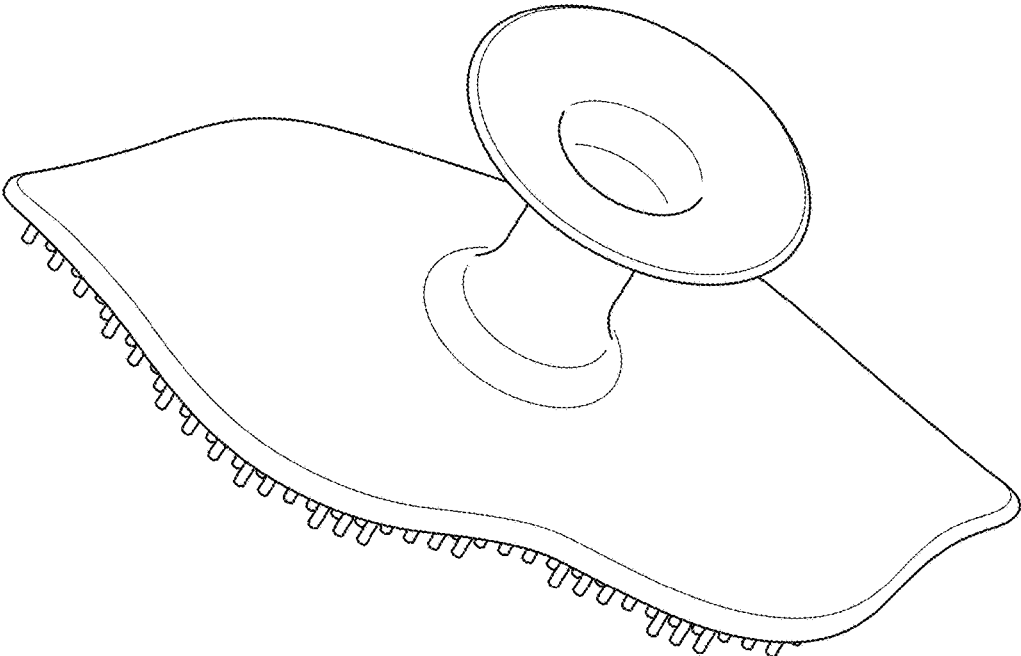


FIG. 1

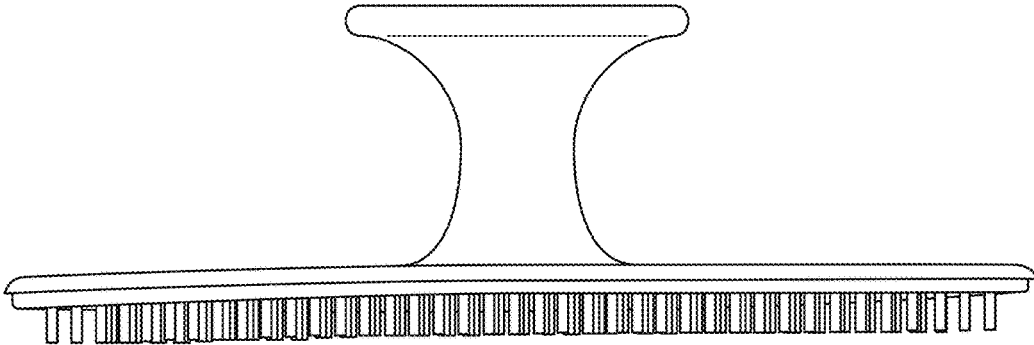


FIG. 2

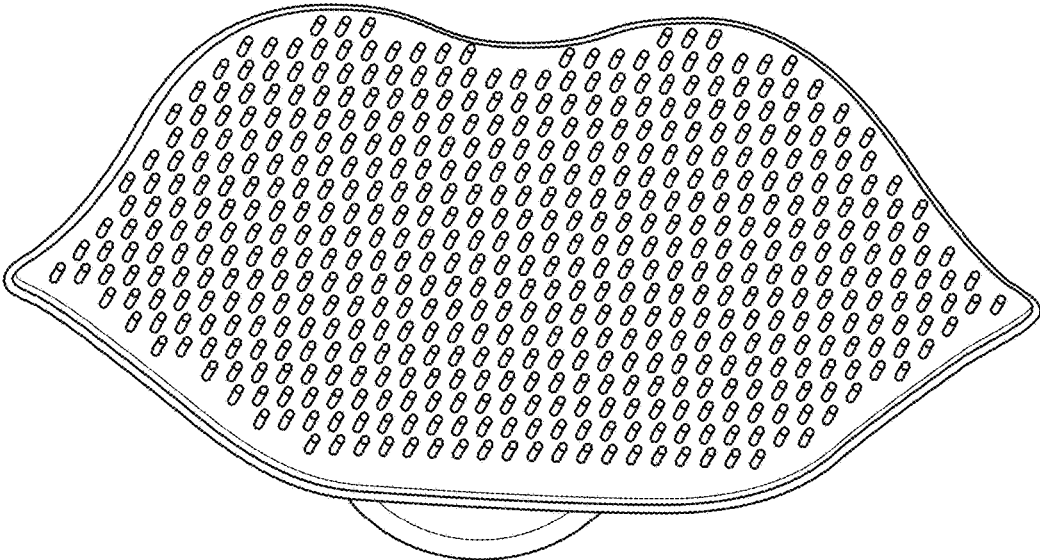


FIG. 3

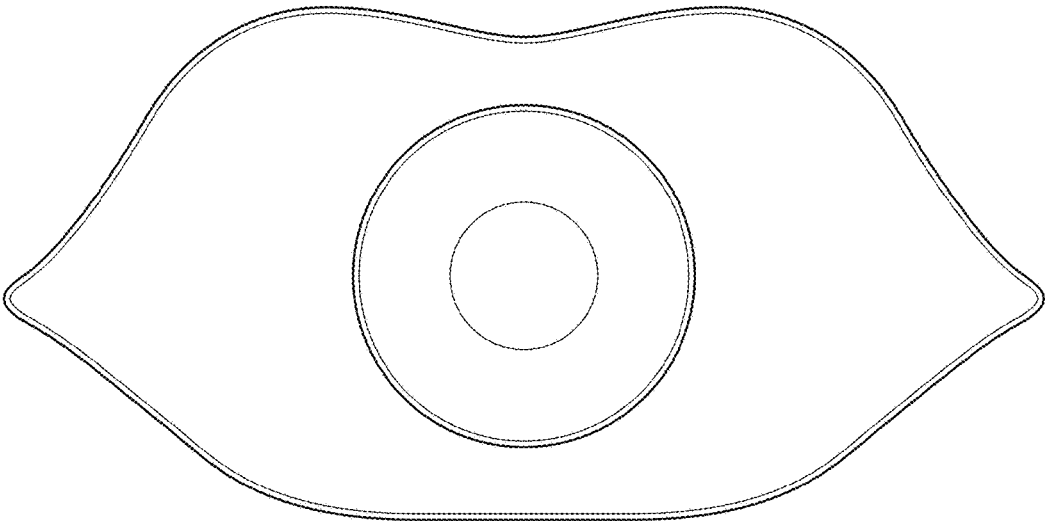


FIG. 4

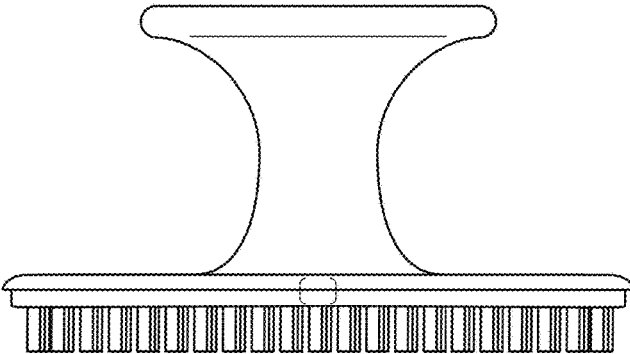


FIG. 5