



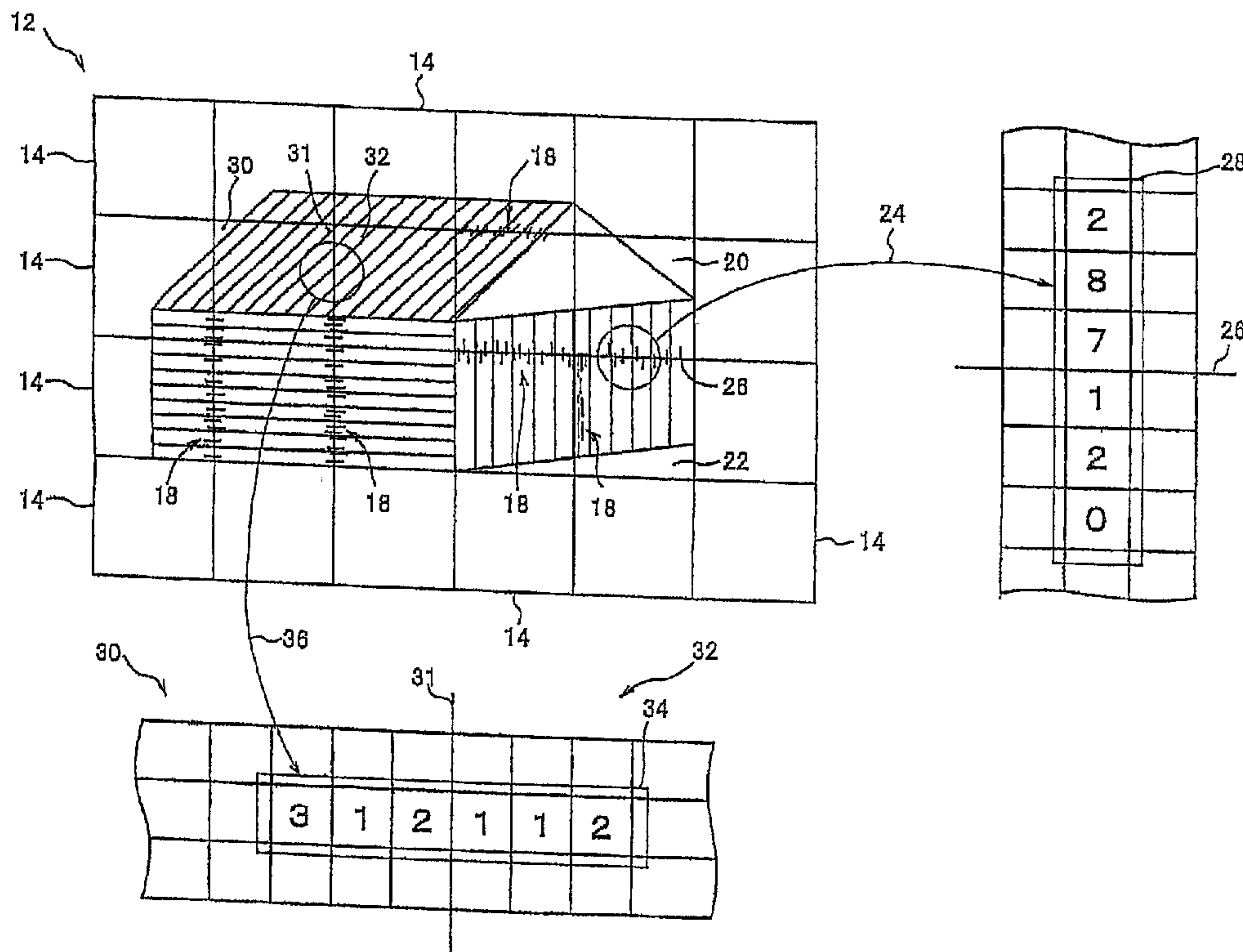
(12) **DEMANDE DE BREVET CANADIEN
CANADIAN PATENT APPLICATION**

(13) **A1**

(22) Date de dépôt/Filing Date: 2002/09/11
(41) Mise à la disp. pub./Open to Public Insp.: 2003/03/27
(62) Demande originale/Original Application: 3 011 691
(30) Priorité/Priority: 2001/09/14 (US09/953329)

(51) Cl.Int./Int.Cl. *H04N 19/80* (2014.01),
H04N 19/159 (2014.01), *H04N 19/176* (2014.01),
H04N 19/52 (2014.01)
(71) Demandeur/Applicant:
DOLBY INTERNATIONAL AB, NL
(72) Inventeurs/Inventors:
SUN, SHIJUN, US;
LEI, SHAWMIN, US;
KATATA, HIROYUKI, JP
(74) Agent: SMART & BIGGAR

(54) Titre : SYSTEME DE CODAGE D'IMAGE BASE SUR LA FORCE DE LIMITE
(54) Title: ADAPTIVE FILTERING BASED UPON BOUNDARY STRENGTH



(57) **Abrégé/Abstract:**

Adjacent regions are identified in an image. Coding parameters for the adjacent regions are identified. Selective filtering is performed at the region between the identified adjacent regions.

ABSTRACT

Adjacent regions are identified in an image. Coding parameters for the adjacent regions are identified. Selective filtering is performed at the region between the identified adjacent regions.

ADAPTIVE FILTERING BASED UPON BOUNDARY STRENGTH

This application is a divisional of Canadian Application No. 3,011,691 which is a divisional of Canadian Application No. 2,973,279, which is itself a divisional of Canadian Application No. 2,925,141, which is itself a divisional of Canadian Patent
5 Application No. 2,706,895 which is itself a divisional of Canadian Patent Application No. 2,616,751 which is itself a divisional of Canadian Patent Application No. 2,454,867 filed on September 11, 2002.

The claim of this application is directed to an image decoding method.

10 The retention of any clauses or features which may be more particularly related to the parent application or a separate divisional thereof should not be regarded as rendering the teachings and claiming ambiguous or inconsistent with the subject matter defined in the claims of the divisional application presented herein when seeking to interpret the scope thereof and the basis in this disclosure for the claims
15 recited herein.

BACKGROUND OF THE INVENTION

Block based motion compensated video coding is used in many video compression standards, such as for example, H.261, H.263, H.263+, MPEG-1,
20 MPEG-2, and H.26L. Block based motion compensation encodes video pixels in a block by block manner using image compression techniques. The image compression techniques normally use lossy compression techniques that result in visual artifact in the decoded images, referred to generally as image artifacts. One type of image artifacts are blocking artifacts that occur along the block boundaries in a reconstructed
25 image. The primary source of the blocking artifacts result from coarse quantization of transform coefficients used to encode the blocks.

Reconstructed images are the images produced after the blocks are inverse transformed and decoded. Image filtering techniques may be used to reduce the artifacts in reconstructed images. The rule of thumb for these image filtering
30 techniques is that image edges should be preserved while the rest of the image should be smoothed. A low pass filter may be used as the image filter and its characteristics

should be selected based on the characteristics of a particular pixel or set of pixels surrounding the image edges.

Non-correlated image pixels that extend across image block boundaries are specifically filtered to reduce blocking artifacts. While filtering techniques reduce blocking artifacts, however, these filtering techniques may unfortunately introduce blurring artifacts into the image. For example, if there are few or no blocking artifacts present between adjacent blocks, then the low pass filtering needlessly incorporates blurring into the image while at the same time wasting processing resources.

10 SUMMARY OF THE INVENTION

In an aspect of the invention there is provided an encoder for encoding an image, comprising a filtering portion for filtering a boundary between adjacent regions based upon conditions of coding parameters, wherein the conditions of coding parameters include whether at least one of the adjacent regions is intra-coded.

15 An encoder as described herein wherein the conditions of coding parameters include whether at least one of the adjacent regions contains non-zero transform coefficients.

An encoder as described herein wherein the conditions of coding parameters include whether the adjacent regions have motion vectors with same vector components or with an absolute difference of motion vector components which is less than a threshold value.

The encoder may further comprise an encoder as described herein and further comprising means for determining boundary strengths for the adjacent regions, wherein a strength of the filtering is controlled by the boundary strength; and the boundary strength is a first value when at least one of the adjacent regions is intra-coded.

In a further aspect of the invention, there is provided a decoder for decoding an image, comprising a filtering portion for filtering a boundary between adjacent regions based upon conditions of coding parameters, wherein the conditions of coding parameters include whether at least one of the adjacent regions is intra-coded.

As another aspect of the present invention, there is provided a method for at least one of encoding and decoding an image, comprising identifying adjacent two

blocks in said image; examining coding parameters for said blocks; and performing selective filtering on at least a portion of the region proximate said boundary based upon said coding parameters, wherein a boundary strength corresponding to the boundary between said two blocks is obtained, the bigger said boundary strength is, the stronger said selective filtering is performed, said boundary strength is set to a first value when reference images used for motion compensation prediction of said two blocks are different or when either of absolute difference between horizontal or vertical components of motion vectors used for motion compensation prediction of said two blocks is equal to or bigger than a specified threshold value, and set to a second value when said reference images are the same and both of said absolute differences are smaller than said specified threshold value, and said first value is bigger than said second value.

As another aspect of the present invention, there is provided an encoder for encoding an image comprising a processor which performs identification of adjacent two blocks in said image, examination of coding parameters for said blocks, and selective filtering on at least a portion of the region proximate said boundary based upon said coding parameters, wherein a boundary strength corresponding to the boundary between said two blocks is obtained, the bigger said boundary strength is, the stronger said selective filtering is performed, said boundary strength is set to a first value when reference images used for motion compensation prediction of said two blocks are different or when either of absolute difference between horizontal or vertical components of motion vectors used for motion compensation prediction of said two blocks is equal to or bigger than a specified threshold value, and set to a second value when said reference images are the same and both of said absolute differences are smaller than said specified threshold value, and said first value is bigger than said second value.

As another aspect of the present invention, there is provided a decoder for decoding an image comprising a processor which performs identification of adjacent two blocks in said image, examination of coding parameters for said blocks, and selective filtering on at least a portion of the region proximate said boundary based upon said coding parameters, wherein a boundary strength corresponding to the boundary between said two blocks is obtained, the bigger said boundary strength is,

the stronger said selective filtering is performed, said boundary strength is set to a first value when reference images used for motion compensation prediction of said two blocks are different or when either of absolute difference between horizontal or vertical components of motion vectors used for motion compensation prediction of said two blocks is equal to or bigger than a specified threshold value, and set to a second value when said reference images are the same and both of said absolute differences are smaller than said specified threshold value, and said first value is bigger than said second value.

As another aspect of the present invention, there is provided an image encoder for selectively filtering a boundary between adjacent two blocks in a restructured image comprising a motion compensation prediction means for performing motion compensation prediction using said restructured image; and a transformation means for performing orthogonal transform of data of a block to be encoded, wherein filtering is not executed to said boundary when (1) both of said adjacent two blocks are not intra-coded, (2) non-zero transform coefficients in both of said adjacent two blocks are not encoded, and (3) motion vectors of said adjacent two blocks are the same, and at least the condition of (2) and (3) is estimated for a luminance component and chrominance component, respectively.

As another aspect of the present invention, there is provided an image decoder for selectively filtering a boundary between adjacent two blocks in a restructured image comprising a motion compensation prediction means for performing motion compensation prediction using said restructured image; and an inverse transformation means for performing inverse orthogonal transform of data of a block to be decoded, wherein filtering is not executed to said boundary when (1) both of said adjacent two blocks are not intra-coded, (2) non-zero transform coefficients in both of said adjacent two blocks are not encoded, and (3) motion vectors of said adjacent two blocks are the same, and at least the condition of (2) and (3) is estimated for a luminance component and chrominance component, respectively.

As yet another aspect of the present invention, there is provided an encoder for encoding an image with selectively filtering a boundary between two adjacent blocks in a reconstructed image, comprising motion compensation predictor for conducting motion compensation prediction for each of blocks to be encoded by using the

reconstructed image, and transformer for transforming data of the block to be encoded, wherein filtering is not conducted for the boundary when (1) both the two adjacent blocks are predicted from a reference frame; (2) both the two adjacent blocks do not include any non-zero transform coefficients; and (3) motion vectors of the two adjacent blocks satisfy a specified condition, said specified condition including: $|V(j,x)-V(k,x)| < 1$ pixel and $|V(j,y)-V(k,y)| < 1$ pixel, where j and k are block numbers of adjacent blocks, $V(j,x)$ and $V(j,y)$ are components of the motion vector for block j , $V(k,x)$, and $V(k,y)$ are components of the motion vector for block k , x indicates horizontal direction of the motion vectors and y indicates vertical direction of the motion vectors; and wherein decision not to conduct the filtering is based on only a luminance component and, when filtering is not conducted for a boundary of blocks of a luminance component, filtering is not conducted also for a boundary of blocks of a chrominance component corresponding to the blocks of the luminance component.

As still yet another aspect of the present invention, there is provided an encoder for encoding an image with selectively filtering a boundary between two adjacent blocks in a reconstructed image, comprising motion compensation predictor for conducting motion compensation prediction for each of blocks to be encoded by using the reconstructed image, and transformer for transforming data of the block to be encoded, wherein filtering is not conducted for the boundary when (1) both the two adjacent blocks are predicted from a reference frame; (2) both the two adjacent blocks do not include any non-zero transform coefficients; and (3) motion vectors of the two adjacent blocks satisfy a specified condition, said specified condition including: $|V(j,x)-V(k,x)| < 1$ pixel and $|V(j,y)-V(k,y)| < 1$ pixel, where j and k are block numbers of adjacent blocks, $V(j,x)$ and $V(j,y)$ are components of the motion vector for block j , $V(k,x)$, and $V(k,y)$ are components of the motion vector for block k , x indicates horizontal direction of the motion vectors and y indicates vertical direction of the motion vectors; and wherein the specified condition is that an absolute difference between the two motion vectors is less than a non-zero threshold; and wherein decision not to conduct the filtering is based on only a luminance component and, when filtering is not conducted for a boundary of blocks of a luminance component, filtering is not conducted also for a boundary of blocks of a chrominance component corresponding to the blocks of the luminance component.

As a further aspect of the present invention, there is provided an encoder for encoding an image with selectively filtering a boundary between two adjacent blocks in a reconstructed image, comprising motion compensation predictor for conducting motion compensation prediction for each of blocks to be encoded by using the reconstructed image, and transformer for transforming data of the block to be encoded, wherein filtering is not conducted for the boundary when (1) both the two adjacent blocks are predicted from a reference frame; (2) both the two adjacent blocks do not include any non-zero transform coefficients; and (3) motion vectors of the two adjacent blocks satisfy a specified condition, said specified condition including: $|V(j,x)-V(k,x)| < 1$ pixel and $|V(j,y)-V(k,y)| < 1$ pixel, where j and k are block numbers of adjacent blocks, $V(j,x)$ and $V(j,y)$ are components of the motion vector for block j , $V(k,x)$, and $V(k,y)$ are components of the motion vector for block k , x indicates horizontal direction of the motion vectors and y indicates vertical direction of the motion vectors; and wherein decision not to conduct the filtering is made separately for a luminance component and for a chrominance component.

As a still further aspect of the present invention, there is provided an encoder for encoding an image with selectively filtering a boundary between two adjacent blocks in a reconstructed image, comprising motion compensation predictor for conducting motion compensation prediction for each of blocks to be encoded by using the reconstructed image, and transformer for transforming data of the block to be encoded, wherein filtering is not conducted for the boundary when (1) both the two adjacent blocks are predicted from a reference frame; (2) both the two adjacent blocks do not include any non-zero transform coefficients; and (3) motion vectors of the two adjacent blocks satisfy a specified condition, said specified condition including: $|V(j,x)-V(k,x)| < 1$ pixel and $|V(j,y)-V(k,y)| < 1$ pixel, where j and k are block numbers of adjacent blocks, $V(j,x)$ and $V(j,y)$ are components of the motion vector for block j , $V(k,x)$, and $V(k,y)$ are components of the motion vector for block k , x indicates horizontal direction of the motion vectors and y indicates vertical direction of the motion vectors; and wherein the specified condition is that the two motion vectors are identical with each other; and wherein decision not to conduct the filtering is made separately for a luminance component and for a chrominance component.

As another aspect of the present invention, there is provided a decoder for decoding an image with selectively filtering a boundary between two adjacent blocks in a reconstructed image, comprising motion compensation predictor for conducting motion compensation prediction for each of blocks to be decoded by using the reconstructed image, and inverse transformer for inversely transforming data of each of the blocks to be decoded, wherein the filtering is not conducted for the boundary when (1) both the two adjacent blocks are predicted from a reference frame; (2) both the two adjacent blocks do not include any non-zero transform coefficients; and (3) motion vectors of the two adjacent blocks satisfy a specified condition, said specified condition including: $|V(j,x)-V(k,x)| < 1$ pixel and $|V(j,y)-V(k,y)| < 1$ pixel, where j and k are block numbers of adjacent blocks, $V(j,x)$ and $V(j,y)$ are components of the motion vector for block j, $V(k,x)$, and $V(k,y)$ are components of the motion vector for block k, x indicates horizontal direction of the motion vectors and y indicates vertical direction of the motion vectors; and wherein decision not to conduct the filtering is based on only a luminance component and, when filtering is not conducted for a boundary of blocks of a luminance component, filtering is not conducted also for a boundary of blocks of a chrominance component corresponding to the blocks of the luminance component.

As yet another aspect of the present invention, there is provided a decoder for decoding an image with selectively filtering a boundary between two adjacent blocks in a reconstructed image, comprising motion compensation predictor for conducting motion compensation prediction for each of blocks to be decoded by using the reconstructed image, and inverse transformer for inversely transforming data of each of the blocks to be decoded, wherein the filtering is not conducted for the boundary when (1) both the two adjacent blocks are predicted from a reference frame; (2) both the two adjacent blocks do not include any non-zero transform coefficients; and (3) motion vectors of the two adjacent blocks satisfy a specified condition, said specified condition including: $|V(j,x)-V(k,x)| < 1$ pixel and $|V(j,y)-V(k,y)| < 1$ pixel, where j and k are block numbers of adjacent blocks, $V(j,x)$ and $V(j,y)$ are components of the motion vector for block j, $V(k,x)$, and $V(k,y)$ are components of the motion vector for block k, x indicates horizontal direction of the motion vectors and y indicates vertical direction of the motion vectors; and wherein the specified condition is that an absolute

difference between the two motion vectors is less than a non-zero threshold; and wherein decision not to conduct the filtering is based on only a luminance component and, when filtering is not conducted for a boundary of blocks of a luminance component, filtering is not conducted also for a boundary of blocks of a chrominance component corresponding to the blocks of the luminance component.

As still yet another aspect of the present invention, there is provided a decoder for decoding an image with selectively filtering a boundary between two adjacent blocks in a reconstructed image, comprising motion compensation predictor for conducting motion compensation prediction for each of blocks to be decoded by using the reconstructed image, and inverse transformer for inversely transforming data of each of the blocks to be decoded, wherein the filtering is not conducted for the boundary when (1) both the two adjacent blocks are predicted from a reference frame; (2) both the two adjacent blocks do not include any non-zero transform coefficients; and (3) motion vectors of the two adjacent blocks satisfy a specified condition, said specified condition including: $|V(j,x)-V(k,x)| < 1$ pixel and $|V(j,y)-V(k,y)| < 1$ pixel, where j and k are block numbers of adjacent blocks, $V(j,x)$ and $V(j,y)$ are components of the motion vector for block j, $V(k,x)$, and $V(k,y)$ are components of the motion vector for block k, x indicates horizontal direction of the motion vectors and y indicates vertical direction of the motion vectors; and wherein decision not to conduct the filtering is made separately for a luminance component and for a chrominance component.

As a further aspect of the present invention, there is provided a decoder for decoding an image with selectively filtering a boundary between two adjacent blocks in a reconstructed image, comprising motion compensation predictor for conducting motion compensation prediction for each of blocks to be decoded by using the reconstructed image, and inverse transformer for inversely transforming data of each of the blocks to be decoded, wherein the filtering is not conducted for the boundary when (1) both the two adjacent blocks are predicted from a reference frame; (2) both the two adjacent blocks do not include any non-zero transform coefficients; and (3) motion vectors of the two adjacent blocks satisfy a specified condition, said specified condition including: $|V(j,x)-V(k,x)| < 1$ pixel and $|V(j,y)-V(k,y)| < 1$ pixel, where j and k are block numbers of adjacent blocks, $V(j,x)$ and $V(j,y)$ are components of the motion vector for block j, $V(k,x)$, and $V(k,y)$ are components of the motion vector for block k,

x indicates horizontal direction of the motion vectors and y indicates vertical direction of the motion vectors; and wherein the specified condition is that the two motion vectors are identical with each other; and wherein decision not to conduct the filtering is made separately for a luminance component and for a chrominance component.

5 As a still further aspect of the present invention, there is provided an encoding process for encoding an image with selectively filtering a boundary between two adjacent blocks in a reconstructed image, comprising the steps of conducting motion compensation prediction, with a motion compensation predictor, for each of blocks to be encoded by using the reconstructed image, and transforming, with a transformer,
10 data of the block to be encoded, wherein filtering is not conducted for the boundary when (1) both the two adjacent blocks are predicted from a reference frame; (2) both the two adjacent blocks do not include any non-zero transform coefficients; and (3) motion vectors of the two adjacent blocks satisfy a specified condition, said specified condition including: $|V(j,x)-V(k,x)| < 1$ pixel and $|V(j,y)-V(k,y)| < 1$ pixel, where j and k are
15 block numbers of adjacent blocks, $V(j,x)$ and $V(j,y)$ are components of the motion vector for block j, $V(k,x)$, and $V(k,y)$ are components of the motion vector for block k, x indicates horizontal direction of the motion vectors and y indicates vertical direction of the motion vectors; and wherein decision not to conduct the filtering is made separately for a luminance component and for a chrominance component.

20 As an aspect of the present invention, there is provided a decoding process for decoding an image with selectively filtering a boundary between two adjacent blocks in a reconstructed image, comprising the steps of conducting motion compensation prediction, with a motion compensation predictor, for each of blocks to be decoded by using the reconstructed image, and inversely transforming, with an inverse
25 transformer, data of the block to be decoded, wherein filtering is not conducted for the boundary when (1) both the two adjacent blocks are predicted from a reference frame; (2) both the two adjacent blocks do not include any non-zero transform coefficients; and (3) motion vectors of the two adjacent blocks satisfy a specified condition, said specified condition including: $|V(j,x)-V(k,x)| < 1$ pixel and $|V(j,y)-V(k,y)| < 1$ pixel, where
30 j and k are block numbers of adjacent blocks, $V(j,x)$ and $V(j,y)$ are components of the motion vector for block j, $V(k,x)$, and $V(k,y)$ are components of the motion vector for block k, x indicates horizontal direction of the motion vectors and y indicates vertical

direction of the motion vectors; and wherein decision not to conduct the filtering is based on only a luminance component and, when filtering is not conducted for a boundary of blocks of a luminance component, filtering is not conducted also for a boundary of blocks of a chrominance component corresponding to the blocks of the
5 luminance component.

As yet another aspect of the present invention, there is provided a decoding process for decoding an image with selectively filtering a boundary between two adjacent blocks in a reconstructed image, comprising the steps of conducting motion compensation prediction, with a motion compensation predictor, for each of blocks to
10 be decoded by using the reconstructed image, and inversely transforming, with an inverse transformer, data of the block to be decoded, wherein filtering is not conducted for the boundary when (1) both the two adjacent blocks are predicted from a reference frame; (2) both the two adjacent blocks do not include any non-zero transform coefficients; and (3) motion vectors of the two adjacent blocks satisfy a specified
15 condition, said specified condition including: $|V(j,x)-V(k,x)| < 1$ pixel and $|V(j,y)-V(k,y)| < 1$ pixel, where j and k are block numbers of adjacent blocks, $V(j,x)$ and $V(j,y)$ are components of the motion vector for block j , $V(k,x)$, and $V(k,y)$ are components of the motion vector for block k , x indicates horizontal direction of the motion vectors and y indicates vertical direction of the motion vectors; and wherein the specified condition
20 is that an absolute difference between the two motion vectors is less than a non-zero threshold; and wherein decision not to conduct the filtering is based on only a luminance component and, when filtering is not conducted for a boundary of blocks of a luminance component, filtering is not conducted also for a boundary of blocks of a chrominance component corresponding to the blocks of the luminance component.

As still yet another aspect of the present invention, there is provided a decoding process for decoding an image with selectively filtering a boundary between two adjacent blocks in a reconstructed image, comprising the steps of conducting motion compensation prediction, with a motion compensation predictor, for each of blocks to
25 be decoded by using the reconstructed image, and inversely transforming, with an inverse transformer, data of the block to be decoded, wherein filtering is not conducted for the boundary when (1) both the two adjacent blocks are predicted from a reference frame; (2) both the two adjacent blocks do not include any non-zero transform
30

coefficients; and (3) motion vectors of the two adjacent blocks satisfy a specified condition, said specified condition including: $|V(j,x)-V(k,x)| < 1$ pixel and $|V(j,y)-V(k,y)| < 1$ pixel, where j and k are block numbers of adjacent blocks, $V(j,x)$ and $V(j,y)$ are components of the motion vector for block j , $V(k,x)$, and $V(k,y)$ are components of the motion vector for block k , x indicates horizontal direction of the motion vectors and y indicates vertical direction of the motion vectors; and wherein decision not to conduct the filtering is made separately for a luminance component and for a chrominance component.

As a further aspect of the present invention, there is provided a decoding process for decoding an image with selectively filtering a boundary between two adjacent blocks in a reconstructed image, comprising the steps of conducting motion compensation prediction, with a motion compensation predictor, for each of blocks to be decoded by using the reconstructed image, and inversely transforming, with an inverse transformer, data of the block to be decoded, wherein filtering is not conducted for the boundary when (1) both the two adjacent blocks are predicted from a reference frame; (2) both the two adjacent blocks do not include any non-zero transform coefficients; and (3) motion vectors of the two adjacent blocks satisfy a specified condition, said specified condition including: $|V(j,x)-V(k,x)| < 1$ pixel and $|V(j,y)-V(k,y)| < 1$ pixel, where j and k are block numbers of adjacent blocks, $V(j,x)$ and $V(j,y)$ are components of the motion vector for block j , $V(k,x)$, and $V(k,y)$ are components of the motion vector for block k , x indicates horizontal direction of the motion vectors and y indicates vertical direction of the motion vectors; and wherein the specified condition is that the two motion vectors are identical with each other; and wherein decision not to conduct the filtering is made separately for a luminance component and for a chrominance component.

As a further aspect of the present invention, there is provided an image decoding method for filtering a boundary between two adjacent blocks in a reconstructed image selectively, comprising a motion compensation prediction step for conducting motion compensation prediction for each of blocks to be decoded by using the reconstructed image, an inverse transformation step for conducting inverse orthogonal transformation for the data of the blocks to be decoded, and a determination step for determining a filtering strength and whether or not to conduct

filtering, with respect to each of the boundaries, wherein the determining step determines (1) filtering is conducted with a first strength when at least one of the two adjacent blocks is intra-coded, (2) filtering is conducted with a second strength that is weaker than the first strength when both of the two adjacent blocks are not intra-coded and a non-zero transformation coefficient is coded in at least one of the two adjacent blocks, (3) filtering is not conducted when both of the two adjacent blocks are not intra-coded, a non-zero transformation coefficient is not coded in both of the two adjacent blocks, the two adjacent blocks are predicted by the same reference frame, and an absolute value of a difference between motion vectors of the two adjacent blocks is smaller than a specified threshold value.

As a further aspect of the present invention, there is provided an image decoding apparatus for filtering a boundary between two adjacent blocks in a reconstructed image selectively, comprising a motion compensation prediction means for conducting motion compensation prediction for each of blocks to be decoded by using the reconstructed image, an inverse transformation means for conducting inverse orthogonal transformation for the data of the blocks to be decoded, and a determination means for determining a filtering strength and whether or not to conduct filtering, with respect to each of the boundaries, wherein the determining means determines (1) filtering is conducted with a first strength when at least one of the two adjacent blocks is intra-coded, (2) filtering is conducted with a second strength that is weaker than the first strength when both of the two adjacent blocks are not intra-coded and a non-zero transformation coefficient is coded in at least one of the two adjacent blocks, (3) filtering is not conducted when both of the two adjacent blocks are not intra-coded, a non-zero transformation coefficient is not coded in both of the two adjacent blocks, the two adjacent blocks are predicted by the same reference frame, and an absolute value of a difference between motion vectors of the two adjacent blocks is smaller than a specified threshold value.

As yet another aspect of the present invention, there is provided a method for encoding an image for selectively filtering a boundary between two adjacent blocks

within a reconstructed image, having: a motion compensation prediction step for performing motion compensation prediction for each block to be encoded using the reconstructed image; a transformation step for performing transformation of data of the block to be encoded; and a determination step for determining strength of the filtering and whether or not to perform filtering, for the each boundary; the determination step (1) performs filtering with a first strength when at least one of the two adjacent blocks is intra-coded; (2) performs filtering with a second strength smaller than the first strength when both the two adjacent blocks are not intra-coded, and a non-zero transform coefficient is encoded in at least one of the two adjacent blocks; and (3) determines not to perform filtering when both the two adjacent blocks are not intra-coded, a non-zero transform coefficient is not encoded in both the two adjacent blocks, the two adjacent blocks are predicted from a same reference frame, and an absolute value of a difference between motion vectors of the two adjacent blocks is smaller than a specified threshold, wherein in situation (1) the first strength is set to the same value when one and when both adjacent blocks are intra-coded; in situation (2) the second strength is set to the same value when one and when both adjacent blocks contain non-zero transform coefficients, and wherein the filtering strength is independent from the quantization parameter.

As still yet another aspect of the present invention, there is provided an encoder for encoding an image for selectively filtering a boundary between two adjacent blocks within a reconstructed image, comprising: a motion compensation prediction means for performing motion compensation prediction for each block to be encoded using the reconstructed image; a transformation means for performing transformation of data of the block to be encoded; and a determination means for determining strength of the filtering and whether or not to perform filtering, for the each boundary; the determination means (1) performs filtering with a first strength when at least one of the two adjacent blocks is intra-coded; (2) performs filtering with a second strength smaller than the first strength when both the two adjacent blocks are not intra-coded, and a non-zero transform coefficient is encoded in at least one of the two adjacent blocks; and (3) determines not to perform filtering when both the two

adjacent blocks are not intra-coded, a non-zero transform coefficient is not encoded in both the two adjacent blocks, the two adjacent blocks are predicted from a same reference frame, and an absolute value of a difference between motion vectors of the two adjacent blocks is smaller than a specified threshold, wherein in situation (1) the first strength is set to the same value when one and when both adjacent blocks are intra-coded; in situation (2) the second strength is set to the same value when one and when both adjacent blocks contain non-zero transform coefficients, and wherein the filtering strength is independent from the quantization parameter.

According to another aspect of the present invention, there is provided a method for decoding an image for selectively filtering a boundary between two adjacent blocks within a reconstructed image, comprising: a motion compensation prediction step for performing motion compensation prediction for each block to be decoded using the reconstructed image; an inverse transformation step for performing inverse transformation of data of the block to be decoded; and a determination step for determining strength of the filtering and whether or not to perform filtering, for the each boundary; the determination step (1) performs filtering with a first strength when at least one of the two adjacent blocks is intra-coded; (2) performs filtering with a second strength smaller than the first strength when both the two adjacent blocks are not intra-coded, and a non-zero transform coefficient is encoded in at least one of the two adjacent blocks; and (3) determines not to perform filtering when both the two adjacent blocks are not intra-coded, a non-zero transform coefficient is not encoded in both the two adjacent blocks, the two adjacent blocks are predicted from a same reference frame, and an absolute value of a difference between motion vectors of the two adjacent blocks is smaller than a specified threshold, wherein in situation (1) the first strength is set to the same value when one and when both adjacent blocks are intra-coded; in situation (2) the second strength is set to the same value when one and when both adjacent blocks contain non-zero transform coefficients, and wherein the filtering strength is independent from the quantization parameter.

According to another aspect of the present invention, there is provided a decoder for decoding an image for selectively filtering a boundary between two adjacent blocks within a reconstructed image, comprising: a motion compensation prediction means for performing motion compensation prediction for each block to be decoded using the reconstructed image; an inverse transformation means for performing inverse transformation of data of the block to be decoded; and a determination means for determining strength of the filtering and whether or not to perform filtering, for the each boundary; the determination means (1) performs filtering with a first strength when at least one of the two adjacent blocks is intra-coded; (2) performs filtering with a second strength smaller than the first strength when both the two adjacent blocks are not intra-coded, and a non-zero transform coefficient is encoded in at least one of the two adjacent blocks; and (3) determines not to perform filtering when both the two adjacent blocks are not intra-coded, a non-zero transform coefficient is not encoded in both the two adjacent blocks, the two adjacent blocks are predicted from a same reference frame, and an absolute value of a difference between motion vectors of the two adjacent blocks is smaller than a specified threshold, wherein in situation (1) the first strength is set to the same value when one and when both adjacent blocks are intra-coded; in situation (2) the second strength is set to the same value when one and when both adjacent blocks contain non-zero transform coefficients, and wherein the filtering strength is independent from the quantization parameter.

BRIEF DESCRIPTION OF THE DRAWINGS

FIG. 1 is a diagram showing how deblock filtering is selectively skipped according to similarities between adjacent image blocks.

FIG. 2 is a diagram showing two adjacent image blocks having similar motion vectors.

FIG. 3 is a diagram showing how transform coefficients are identified for one of the image blocks.

FIG. 4 is a diagram showing how residual transform coefficients are compared between two adjacent image blocks.

FIG. 5 is a block diagram showing how the video image is encoded and decoded.

5 FIG. 6 is a block diagram showing how deblock filtering is selectively skipped in a codec.

FIG. 7 is a representation of an existing block based image filtering technique.

FIG. 8 is a block diagram showing a technique for determining the boundaries to filter and the strength of the respective filter to use.

10 FIG. 9 is a drawing for explaining other embodiment of the present invention.

FIG. 10 is a drawing for explaining further embodiment of the present invention.

FIG. 11 is a drawing for explaining further embodiment of the present invention.

FIG. 12 is a drawing for explaining further embodiment of the present invention.

15 DETAILED DESCRIPTION OF THE PREFERRED EMBODIMENT

Conventional filtering processes consider a single reconstructed image frame at a time. Block based video encoding techniques may use motion vectors to estimate the movement of blocks of pixels. The motion-vector information is available at both the encoder and decoder but is not used with conventional filtering processes. For
20 example, if two adjacent blocks share the same motion vector with respect to the same reference image frame, (for a multiple reference frames system) there is likely no significant difference between the image residuals of each block and accordingly should not be filtered. In essence, adjacent portions of the image have the same motion with respect to the same reference frame and accordingly no significant
25 difference between the image residuals would be expected. In many cases, the block boundary of these two adjacent blocks may have been filtered in the reference frame and should therefore not be filtered again for the current frame. If a deblock filter is used without considering this motion-vector information, the conventional filtering process might filter the same boundary again and again from frame to frame. This
30 unnecessary filtering not only causes unnecessary blurring but also results in additional filter computations.

FIG. 1 illustrates an image 12 that selectively filters blocking artifacts according to similarities between image blocks. It is to be understood that the image may likewise use non-square blocks or any other sets of pixels. The borders between some of the blocks 14 include blocking artifacts 18. In general blocking artifacts are any image discontinuities between blocks 14 that may result from the encoding and/or decoding process. A low pass filter or other filter may be used to reduce the blocking artifacts that exist at the borders of adjacent image blocks.

For example, blocking artifacts 24 exist between blocks 20 and 22. A low pass filter may be used at the border 26 between blocks 20 and 22 to remove or otherwise reduce the blocking artifacts 24. The low pass filter, for example, selects a group of pixels 28 from both sides of the border 26. An average pixel value, or any other statistical measure, is derived from the group of pixels 28. Then each individual pixel is compared to the average pixel value. Any pixels in group 28 outside of a predetermined range of the average pixel value is then replaced with the average pixel value.

As previously described, if there are few or no blocking artifacts 24 between the adjacent pixels, then the groups of pixels 28 may be needlessly filtered causing blurring in the image. A skip mode filtering scheme may use the motion estimation and/or compensation information for adjacent image blocks as a basis upon which to selectively filter. If the motion estimation and compensation information is sufficiently similar the filtering may be skipped. This avoids unnecessary image blurring and significantly reduces the required number of filtering operations, or any other appropriate value.

As an example, it may be determined during the encoding process that adjacent image blocks 30 and 32 have similar coding parameters. Accordingly, the deblock filtering may be skipped for the groups of pixels 34 that extend across the border 31 between adjacent blocks 30 and 32. Skip mode filtering can be used for any horizontal, vertical, or otherwise any boundary between adjacent blocks in the image 12.

FIG. 2 illustrates a reference frame 42, reference frame 48, and a current frame 40 that is currently being encoded or decoded. The coding parameters for blocks 44 and 46 are compared to determine whether the deblock filtering should be skipped

between the two adjacent blocks 44 and 46. One of the encoding parameters that may be compared is the motion vectors (MV) for the blocks 44 and 46.

A motion vector MV1 points from block 44 in the current image frame 40 to an associated block 44' in the reference image 42. A motion vector MV2 points from block 46 in the current image frame 40 to an associated block 46' in the reference frame 42. A skip mode filtering checks to see if the motion vectors MV1 and MV2 point to adjacent blocks in the same reference frame 42. If the motion vectors point to adjacent blocks in the same reference frame (MV1=MV2), then the deblock filtering may be skipped. This motion vector information may be used along with other coding information to decide whether to skip deblock filtering between the two image blocks 44 and 46.

More than one reference frame may be used during the encoding and decoding process. For example, there may be another reference frame 48. The adjacent blocks 44 and 46 may have motion vectors pointing to different reference frames. In one example, the decision to skip deblock filtering depends on whether the motion vectors for the two adjacent blocks point to the same reference frame. For example, image block 44 may have a motion vector 49 pointing to reference frame 48 and image block 46 may have the motion vector MV2 pointing to reference frame 42. The deblock filtering is not skipped in this example because the motion vectors 49 and MV2 point to different reference frames.

FIG. 3 illustrates another example of a coding parameter that may be used to decide whether or not to selectively skip deblock filtering. The image block 44 from image frame 40 is compared with reference block 44' from the reference frame 42 pointed to by the motion vector MV1 as previously illustrated in FIG. 2. A residual block 44" is output from the comparison between image block 44 and reference block 44'. A transform 50 is performed on the residual block 44" creating a transformed block 44" of transform coefficients. In one example, the transform 50 is a Discrete Cosine Transform. The transformed block 44" includes a D.C. components 52 and A.C. components 53.

The D.C. component 52 refers to a lowest frequency transform coefficient in image block 44. For example, the coefficient that represents the average energy in the image block 44. The A.C. components 53 refer to the transform coefficients that

represent the higher frequency components in the image block 44. For example, the transform coefficients that represent the large energy differences between pixels in the image block 44.

FIG. 4 illustrates the transformed residual blocks 44" and 46". The D.C. components 52 from the two transformed blocks 44" and 46" are compared in processor 54. If the D.C. components are the same or within some range of each other, the processor 54 notifies a deblock filter operation 56 to skip deblock filtering between the boarder of the two adjacent blocks 44 and 46. If the D.C. components 52 are not similar, then no skip notification is initiated and the boarder between blocks 44 and 46 is deblock filtered.

In one example, the skip mode filtering may be incorporated into the Telecommunications Sector of the International Telecommunication Union (ITU-T) proposed H.26L encoding scheme. The H.26L scheme uses 4x4 integer Discrete Cosine Transform (DCT) blocks. If desired, only the D.C. component of the two adjacent blocks may be checked. However some limited low frequency A.C. coefficients may likewise be checked, especially when the image blocks are larger sizes, such as 9x9 or 16x16 blocks. For example, the upper D.C. component 52 and the three lower frequency A.C. transform coefficients 53 for block 44" maybe compared with the upper D.C. component 52 and three lower frequency A.C. transform coefficients 53 for block 46". Different combinations of D.C. and/or any of the A.C. transform coefficients can be used to identify the relative similarity between the two adjacent blocks 44 and 46.

The processor 54 can also receive other coding parameters 55 that are generated during the coding process. These coding parameters include the motion vectors and reference frame information for the adjacent blocks 44 and 46 as previously described. The processor 54 may use some or all of these coding parameters to determine whether or not to skip deblock filtering between adjacent image blocks 44 and 46. Other encoding and transform functions performed on the image may be carried out in the same processor 54 or in a different processing circuit. In the case where all or most of the coding is done in the same processor, the skip mode is simply enabled by setting a skip parameter in the filtering routine.

FIG. 5 shows how skip mode filtering may be used in a block-based motion-compensated Coder-Decoder (Codec) 60. The codec 60 is used for inter-frame coding. An input video block from the current frame is fed from box 62 into a comparator 64. The output of a frame buffering box 80 generates a reference block 81 according to the estimated motion vector (and possible reference frame number). The difference between the input video block and the reference block 81 is transformed in box 66 and then quantized in box 68. The quantized transform block is encoded by a Variable Length Coder (VLC) in box 70 and then transmitted, stored, etc.

10 The encoding section of the codec 60 reconstructs the transformed and quantized image by first Inverse Quantizing (IQ) the transformed image in box 72. The inverse quantized image is then inverse transformed in box 74 to generate a reconstructed residual image. This reconstructed residual block is then added in box 76 to the reference block 81 to generate a reconstructed image block. Generally the
15 reconstructed image is loop filtered in box 78 to reduce blocking artifacts caused by the quantization and transform process. The filtered image is then buffered in box 80 to form reference frames. The frame buffering in box 80 uses the reconstructed reference frames for motion estimation and compensation. The reference block 81 is compared to the input video block in comparator 64. An encoded image is output at
20 node 71 from the encoding section and is then either stored or transmitted.

In a decoder portion of the codec 60, a variable length decoder (VLD) decodes the encoded image in box 82. The decoded image is inverse quantized in box 84 and inverse transformed in box 86. The reconstructed residual image from box 86 is added in the summing box 88 to the reference block 91 before being loop filtered in box 90
25 to reduce blocking artifacts and buffered in box 92 as reference frames. The reference block 91 is generated from box 92 according to the received motion vector information. The loop filtered output from box 90 can optionally be post filtered in box 94 to further reduce image artifacts before being displayed as, a video image in box 96. The skip mode filtering scheme can be performed in any combination of the filtering functions
30 in boxes 78, 90 and 94.

The motion estimation and compensation information available during video coding are used to determine when to skip deblock filtering in boxes 78, 90 and/or 94.

Since these coding parameters are already generated during the encoding and decoding process, there are no additional coding parameters that have to be generated or transmitted specially for skip mode filtering.

FIG. 6 shows in further detail how skip mode filtering may be used in the filters 5 78, 90, and/or 94 in the encoder and decoder in FIG. 5. The interblock boundary between any two adjacent blocks "i" and "k" is first identified in box 100. The two blocks may be horizontally or vertically adjacent in the image frame. Decision box 102 compares the motion vector $mv(j)$ for block j with the motion vector $mv(k)$ for block k. It is first determined whether the two adjacent blocks j and k have the same motion 10 vector pointing to the same reference frame. In other words, the motion vectors for the adjacent blocks point to adjacent blocks ($mv(j) = mv(k)$) in the same reference frame ($ref(j) = ref(k)$).

It is then determined whether the residual coefficients for the two adjacent blocks are similar. If there is no significant difference between the image residuals of 15 the adjacent blocks, for example, the two blocks j and k have the same or similar D.C. component ($dc(j) = dc(k)$), then the deblock filtering process in box 104 is skipped. Skip mode filtering then moves to the next interblock boundary in box 106 and conducts the next comparison in decision box 102. Skip mode filtering can be performed for both horizontally adjacent blocks and vertically adjacent blocks.

20 In one embodiment, only the reference frame and motion vector information for the adjacent image blocks are used to determine block skipping. In another embodiment, only the D.C. and/or A.C. residual coefficients are used to determine block skipping. In another embodiment, the motion vector, reference frame and residual coefficients are all used to determine block skipping.

25 The skip mode filtering scheme can be applied to spatially subsampled chrominance channels. For example in a case with 4:2:0 color format sequences, skip mode filtering for block boundaries may only rely on the equality of motion vectors and D.C. components for the luminance component of the image. If the motion vectors and the D.C. components are the same, deblock filtering is skipped for both the luminance 30 and chrominance components of the adjacent image blocks. In another embodiment, the motion vectors and the D.C. components are considered separately for each luminance and chrominance component of the adjacent blocks. In this case, a

luminance or chrominance component for adjacent blocks may be deblock filtered while the other luminance or chrominance components for the same adjacent blocks are not deblock filtered.

Referring to FIG. 7, a technique recently proposed by others in H.26L defines a "block strength" parameter for the loop filter to control the loop filtering process. Each block of an image has a strength value that is associated with the block and controls the filtering performed on all of its four block boundaries. The block strength value is derived based on the motion vectors and the transform coefficients available in the bitstream. However, after consideration of the use of the block strength value for all four edges of the block, the present inventors came to the realization this results in removing some blocking artifacts at some edges while blurring along other edges.

In contrast to the block by block manner of filtering, the present inventors came to the realization that filtering determinations should be made in an edge by edge manner together with other information. The other information, may include for example, information related to intra-block encoding of blocks, information related to motion estimation of blocks with residual information, information related to motion estimation of blocks without residual information, information related to motion estimation of blocks without residuals having sufficient differences, information related to reference frames, and information related to motion vectors of adjacent blocks. One, two, three, or four of these information characteristics may be used to improved filtering abilities in an edge by edge manner. Based upon different sets of characteristics, the filtering may be modified, as desired.

For each block boundary a control parameter is preferably defined, namely, a boundary strength B_s . Referring to FIG. 8 a pair of blocks sharing a common boundary are referred to as j and k . A first block 200 checks to see if either one of the two blocks is intra-coded. If either is intra-coded then the boundary strength is set to three at block 202. Block 200 determines if both of the blocks are not motion predicted. If no motion prediction is used then the block derives from the frame itself and accordingly there should be filtering performed on the boundary. This is normally appropriate because intra-coded block boundaries normally include blocking artifacts.

If both of the blocks j and k are, at least in part, predicted from a previous or future frame, then the blocks j and k are checked at block 204 to determine if any

coefficients are coded. The coefficients, may be for example, discrete cosine transform coefficients. If either of the blocks j and k include non-zero coefficients, then at least one of the blocks represent a prediction from a previous or future frame together with modifications to the block using the coefficients, generally referred to as
5 residuals. If either of the blocks j and k include non-zero coefficients (and motion predicted) then the boundary strength is set to two at block 206. This represents an occurrence where the images are predicted but the prediction is corrected using a residual. Accordingly, the images are likely to include blocking artifacts.

If both of the blocks j and k are motion predicted and do not include non-zero
10 coefficients, generally referred to as residuals, then a determination at block 208 is made to check if the pixels on either side of the boundary are sufficiently different from one another. This may likewise be used to determine if the residuals are sufficiently small. If a sufficient difference exists then a blocking artifact is likely to exist. Initially a determination is made to determine if the two blocks use different reference frames,
15 namely, $R(j) \neq R(k)$. If the blocks j and k are from two different reference frames then the boundary strength is assigned a value of one at block 210. Alternatively, if the absolute difference of the motion vectors of the two image blocks is checked to determine if they are greater than or equal to 1 pixel in either vertical or horizontal directions, namely, $|V(j,x) - V(k,x)| \geq 1$ pixel or $|V(j,y) - V(k,y)| \geq 1$ pixel. Other
20 threshold values may likewise be used, as desired, including less than or greater than depending on the test used. If the absolute difference of the motion vectors is greater than or equal to one then the boundary strength is assigned a value of one.

If the two blocks j and k are motion predicted, without residuals, are based upon the same frame, and have insignificant differences, then the boundary strength value
25 is assigned a value of zero. If the boundary strength value is assigned a value of zero the boundary is not filtered or otherwise adaptively filtered accordingly to the value of the boundary strength. It is to be understood that the system may lightly filter if the boundary strength is zero, if desired.

The value of the boundary strength, namely, one, two, and three, is used to
30 control the pixel value adaptation range in the loop filter. If desired, each different boundary strength may be the basis of a different filtering. For example, in some embodiments, three kinds of filters may be used wherein a first filter is used when

Bs=1, a second filter is used when Bs=2 and a third filter is used when Bs=3. It is to be understood that non-filtering may be performed by minimal filtering in comparison to other filtering which results in a more significant difference. In the example shown in FIG. 8 the larger the value for Bs the greater the filtering. The filtering may be performed by any suitable technique, such as methods described in Joint Committee Draft (CD) of the Joint Video Team (JVT) of ISO/IEC MPEG and ITU-T VCEG (JVT-C167) or other known methods for filtering image artifacts.

Skip mode filtering can be used with any system that encodes or decodes multiple image frames. For example, DVD players, video recorders, or any system that transmits image data over a communications channel, such as over television channels or over the Internet. It is to be understood that the system may use the quantization parameter as a coding parameter, either alone or in combination with other coding parameters. In addition, it is to be understood that the system may be free from using the quantization parameter alone or free from using the quantization parameter at all for purposes of filtering.

The skip mode filtering described above can be implemented with dedicated processor systems, micro controllers, programmable logic devices, or microprocessors that perform some or all of the operations. Some of the operations described above may be implemented in software and other operations may be implemented in hardware.

For the sake of convenience, the operations are described as various interconnected functional blocks or distinct software modules. This is not necessary, however, and there may be cases where these functional blocks or modules are equivalently aggregated into a single logic device, program or operation with unclear boundaries. In any event, the functional blocks and software modules or described features can be implemented by themselves, or in combination with other operations in either hardware or software.

In some embodiments of the present invention, as illustrated in Figure 9, image data 902 may be input to an image data encoding apparatus 904 which includes the adaptive filtering portion as described above for some embodiments of the present invention. Output from the image data encoding apparatus 904 is an encoded image data and may then be stored on any computer-readable storage media 906. The

storage media may includes, but not limited to, disc media, memory card media or digital tape media. Storage media 906 may act as a short-term buffer or as a long-term storage device. The encoded image data may be read from storage media 906 and decoded by an image data decoding apparatus 908 which includes the
5 adaptive filtering portion as described above for some embodiments of the present invention. The decoded image data may be provided for output decoded image data 910 to a display or other device.

In some embodiments of the present invention, as illustrated in Figure 10, image data 1002 may be encoded and the encoded image data may then be stored
10 on storage media 1006. The basic procedure of image data encoding apparatus 1004, storage media 1006 and image data decoding apparatus 1008 is as same as in Figure 9. In Figure 10, Bs data encoding portion 1012 receives the value of the boundary strength Bs for each block boundary and encoded by any data encoding method which includes DPCM, multi-value run-length coding, transform coding with loss-less feature
15 and so on. The boundary strength Bs may be generated as described in Figure 8. The encoded boundary strength may then be stored on storage media 1006. In one example, the encoded boundary strength may be stored separately from the encoded image data. In other example, the encoded boundary strength and the encoded image data may be multiplexed before storing on the storage media 1006.

20 The encoded boundary strength may be read from storage media 1006 and decoded by Bs data decoding portion 1014 to input the decoded boundary strength to image data decoding apparatus 1008. When the decoded boundary strength is utilized in image data decoding apparatus 1008 to perform the adaptive filtering of the present invention, it may not be necessary to repeat the process described in Figure
25 8 to generate boundary strength and this may save the processing power for the adaptive filtering.

In some embodiments of the present invention, as illustrated in Figure 11, image data 1102 may be input to an image data encoding apparatus 1104 which includes the adaptive filtering portion as described above for some embodiments of
30 the present invention. Output from the image data encoding apparatus 1104 is an encoded image data and may then be sent over a network, such as a LAN, WAN or the Internet 1106. The encoded image data may be received and decoded by an

image data decoding apparatus 1108 which also communicates with network 1106. The image data decoding apparatus 1108 includes the adaptive filtering portion as described above for some embodiments of the present invention. The decoded image data may be provided for output decoded image data 1110 to a display or other
5 device.

In some embodiments of the present invention, as illustrated in Figure 12, image data 1202 may be encoded and the encoded image data may then be sent over a network, such as a LAN, WAN or the Internet 1206. The basic procedure of image data encoding apparatus 1204 and image data decoding apparatus 1208 is as same
10 as in Figure 11. In Figure 12, Bs data encoding portion 1212 receives the value of the boundary strength Bs for each block boundary and encoded by any data encoding method which includes DPCM, multi-value run-length coding, transform coding with loss-less feature and so on. The boundary strength Bs may be generated as described in Figure 8. The encoded boundary strength may then be sent over the
15 network 1206. In one example, the encoded boundary strength may be sent separately from the encoded image data. In other example, the encoded boundary strength and the encoded image data may be multiplexed before sending over the network 1206.

The encoded boundary strength may be received from the network 1206 and
20 decoded by Bs data decoding portion 1214 to input the decoded boundary strength to image data decoding apparatus 1208. When the decoded boundary strength is utilized in image data decoding apparatus 1208 to perform the adaptive filtering of the present invention, it may not be necessary to repeat the process described in Figure 8 to generate boundary strength and this may save the processing power for the
25 adaptive filtering.

Having described and illustrated the principles of the invention in a preferred embodiment thereof, it should be apparent that the invention may be modified in arrangement and detail without departing from such principles. Claim is made to all modifications and variation coming within the spirit and scope of the following claims.

CLAIMS:

1. A method for encoding an image for selectively filtering a boundary between two adjacent blocks within a reconstructed image, having:

5 a motion compensation prediction step for performing motion compensation prediction for each block to be encoded using the reconstructed image;

a transformation step for performing transformation of data of the block to be encoded; and

a determination step for determining strength of the filtering and whether or not to perform filtering, for the each boundary;

10 the determination step

(1) performs filtering with a first strength when at least one of the two adjacent blocks is intra-coded;

15 (2) performs filtering with a second strength smaller than the first strength when both the two adjacent blocks are not intra-coded, and a non-zero transform coefficient is encoded in at least one of the two adjacent blocks; and

20 (3) determines not to perform filtering when both the two adjacent blocks are not intra-coded, a non-zero transform coefficient is not encoded in both the two adjacent blocks, the two adjacent blocks are predicted from a same reference frame, and an absolute value of a difference between motion vectors of the two adjacent blocks is smaller than a specified threshold, wherein

in situation (1) the first strength is set to the same value when one and when both adjacent blocks are intra-coded;

in situation (2) the second strength is set to the same value when one and when both adjacent blocks contain non-zero transform coefficients, and

25 wherein the filtering strength is independent from the quantization parameter.

2. An encoder for encoding an image for selectively filtering a boundary between two adjacent blocks within a reconstructed image, comprising:

a motion compensation prediction means for performing motion compensation prediction for each block to be encoded using the reconstructed image;

5 a transformation means for performing transformation of data of the block to be encoded; and

a determination means for determining strength of the filtering and whether or not to perform filtering, for the each boundary;

the determination means

10 (1) performs filtering with a first strength when at least one of the two adjacent blocks is intra-coded;

(2) performs filtering with a second strength smaller than the first strength when both the two adjacent blocks are not intra-coded, and a non-zero transform coefficient is encoded in at least one of the two adjacent blocks; and

15 (3) determines not to perform filtering when both the two adjacent blocks are not intra-coded, a non-zero transform coefficient is not encoded in both the two adjacent blocks, the two adjacent blocks are predicted from a same reference frame, and an absolute value of a difference between motion vectors of the two adjacent blocks is smaller than a specified threshold, wherein

20 in situation (1) the first strength is set to the same value when one and when both adjacent blocks are intra-coded;

in situation (2) the second strength is set to the same value when one and when both adjacent blocks contain non-zero transform coefficients, and

wherein the filtering strength is independent from the quantization parameter.

3. A method for decoding an image for selectively filtering a boundary between two adjacent blocks within a reconstructed image, comprising:

a motion compensation prediction step for performing motion compensation prediction for each block to be decoded using the reconstructed image;

5 an inverse transformation step for performing inverse transformation of data of the block to be decoded; and

a determination step for determining strength of the filtering and whether or not to perform filtering, for the each boundary;

the determination step

10 (1) performs filtering with a first strength when at least one of the two adjacent blocks is intra-coded;

(2) performs filtering with a second strength smaller than the first strength when both the two adjacent blocks are not intra-coded, and a non-zero transform coefficient is encoded in at least one of the two adjacent blocks; and

15 (3) determines not to perform filtering when both the two adjacent blocks are not intra-coded, a non-zero transform coefficient is not encoded in both the two adjacent blocks, the two adjacent blocks are predicted from a same reference frame, and an absolute value of a difference between motion vectors of the two adjacent blocks is smaller than a specified threshold, wherein

20 in situation (1) the first strength is set to the same value when one and when both adjacent blocks are intra-coded;

in situation (2) the second strength is set to the same value when one and when both adjacent blocks contain non-zero transform coefficients, and

wherein the filtering strength is independent from the quantization parameter.

4. A decoder for decoding an image for selectively filtering a boundary between two adjacent blocks within a reconstructed image, comprising:

a motion compensation prediction means for performing motion compensation prediction for each block to be decoded using the reconstructed image;

5 an inverse transformation means for performing inverse transformation of data of the block to be decoded; and

a determination means for determining strength of the filtering and whether or not to perform filtering, for the each boundary;

the determination means

10 (1) performs filtering with a first strength when at least one of the two adjacent blocks is intra-coded;

(2) performs filtering with a second strength smaller than the first strength when both the two adjacent blocks are not intra-coded, and a non-zero transform coefficient is encoded in at least one of the two adjacent blocks; and

15 (3) determines not to perform filtering when both the two adjacent blocks are not intra-coded, a non-zero transform coefficient is not encoded in both the two adjacent blocks, the two adjacent blocks are predicted from a same reference frame, and an absolute value of a difference between motion vectors of the two adjacent blocks is smaller than a specified threshold, wherein

20 in situation (1) the first strength is set to the same value when one and when both adjacent blocks are intra-coded;

in situation (2) the second strength is set to the same value when one and when both adjacent blocks contain non-zero transform coefficients, and

wherein the filtering strength is independent from the quantization parameter.

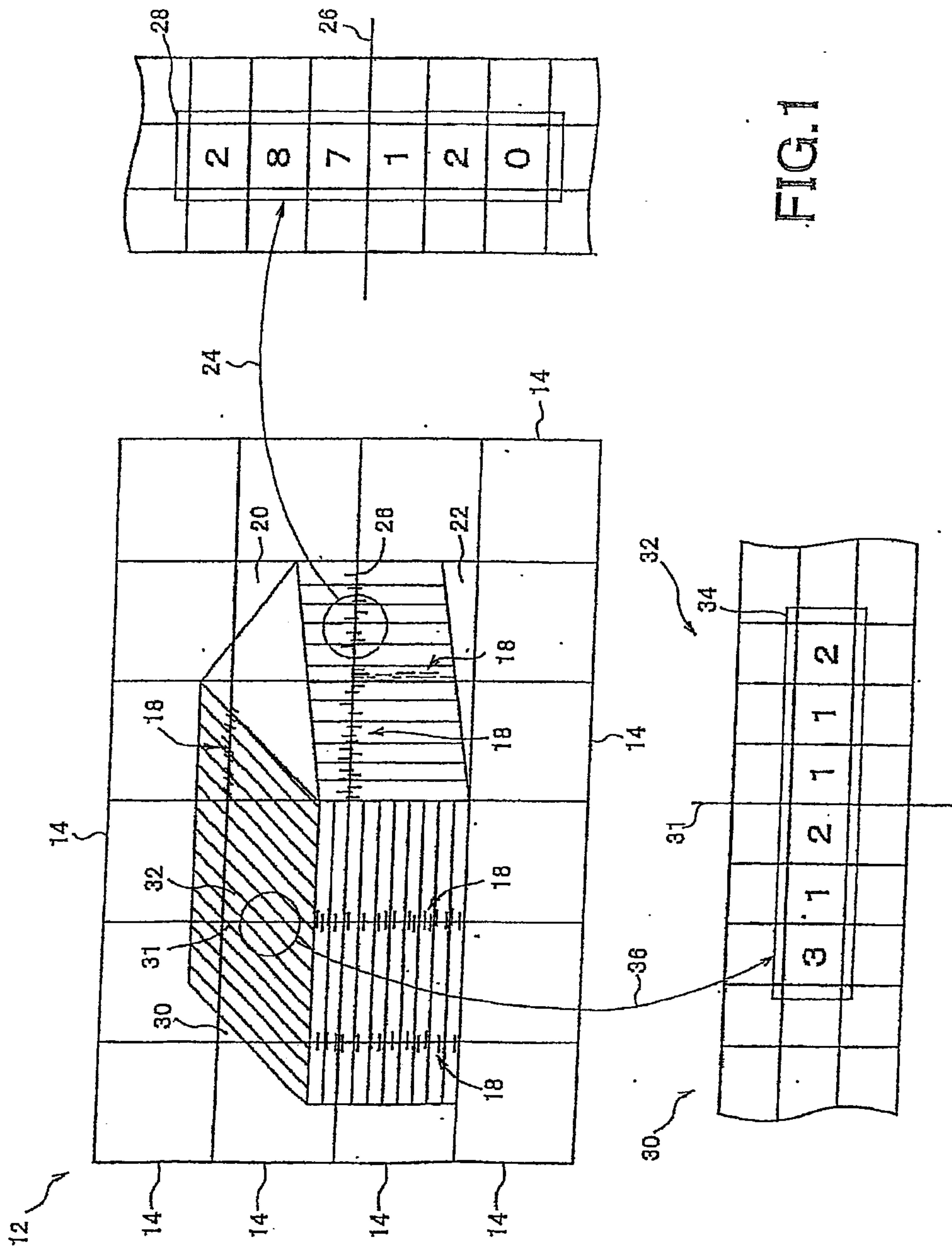


FIG.1

FIG.2

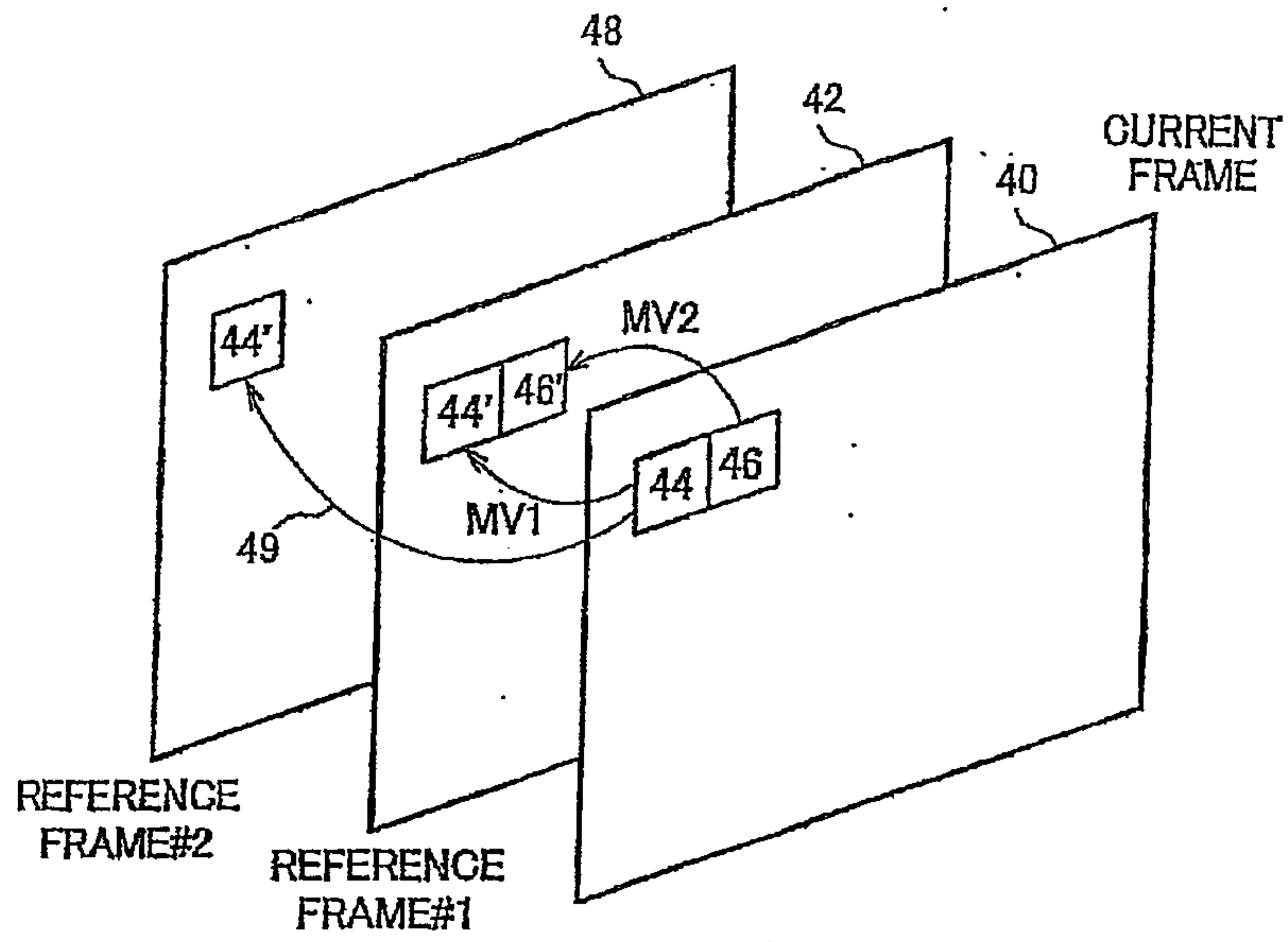


FIG.3

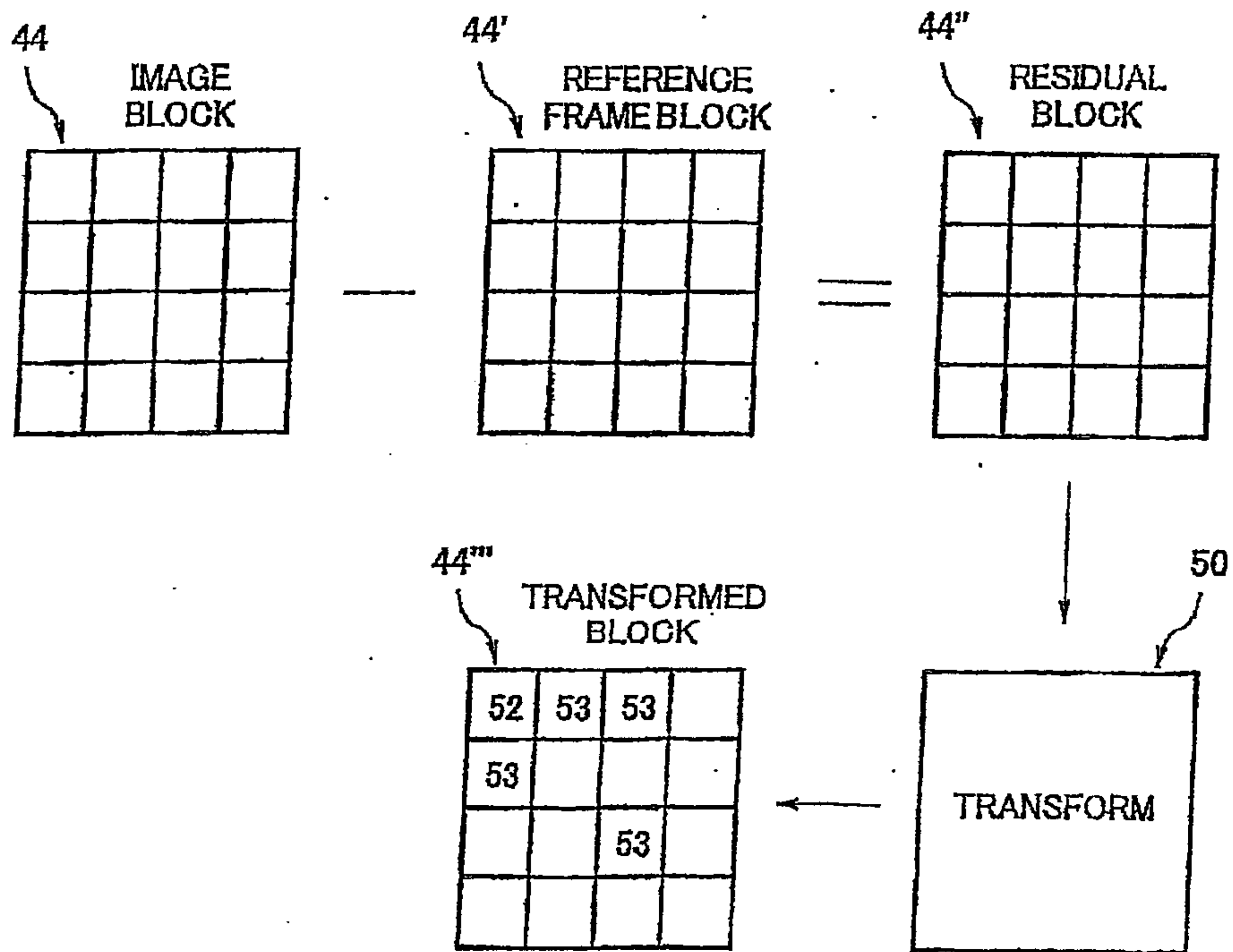


FIG.4

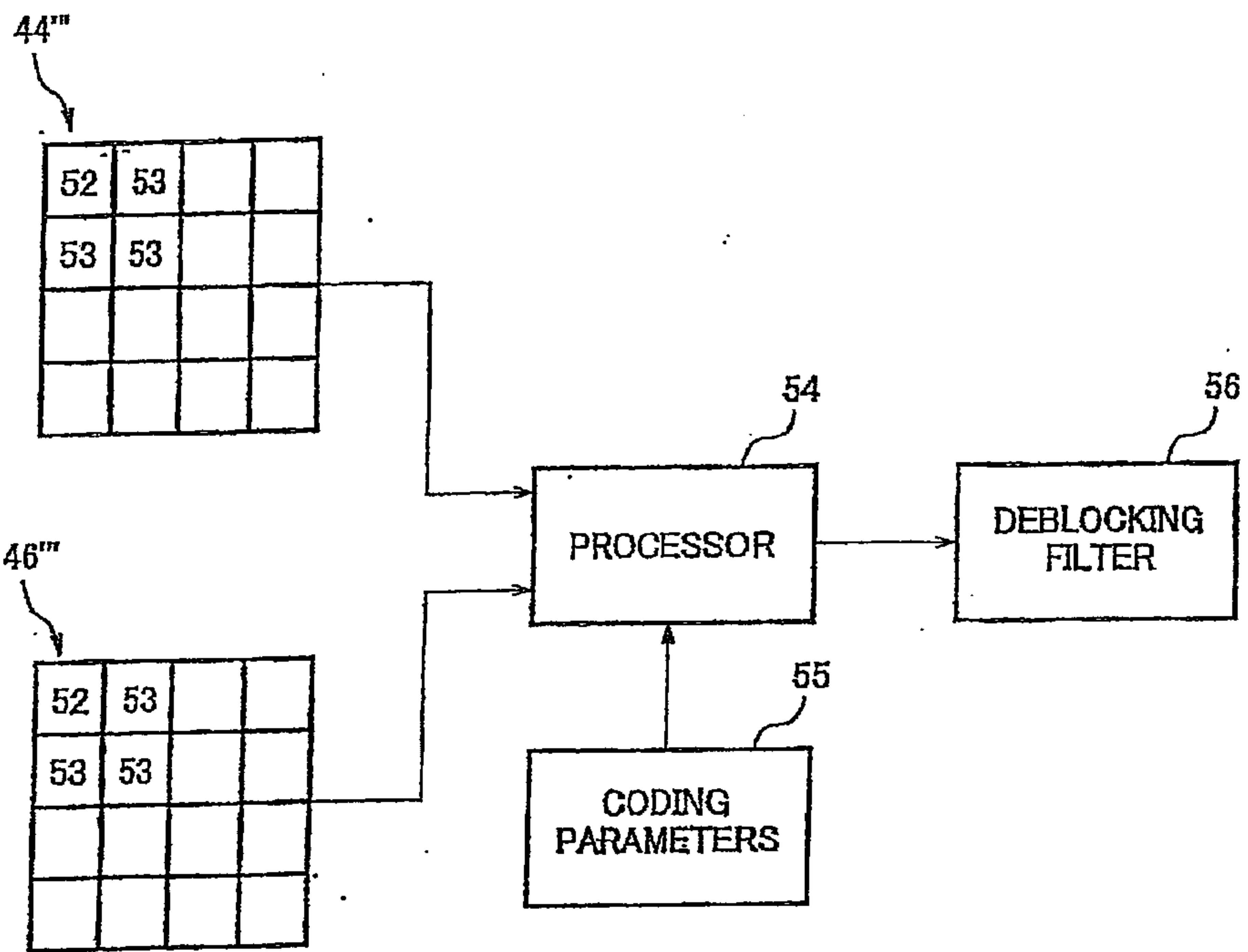
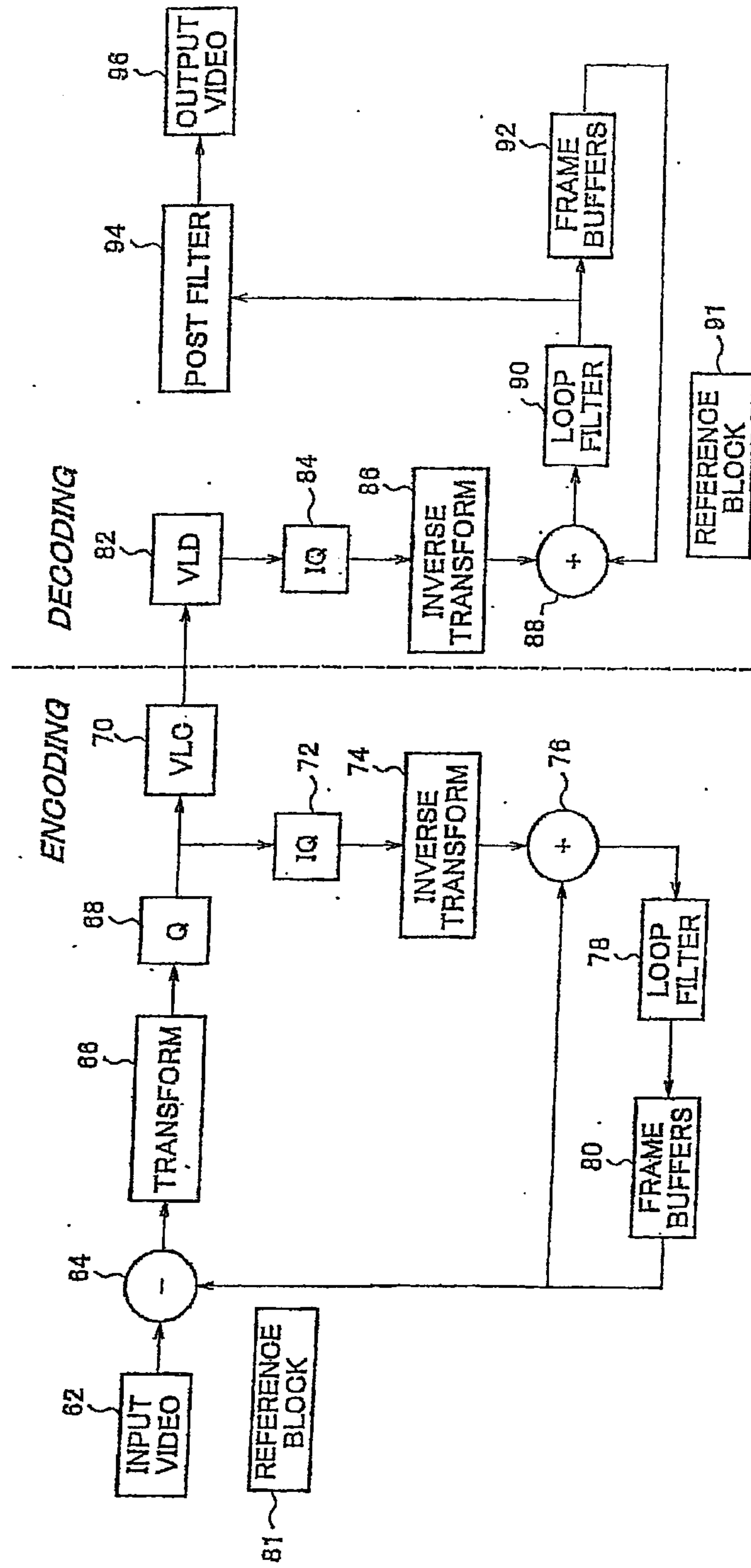


FIG. 5

60



78,90,94
FIG.6

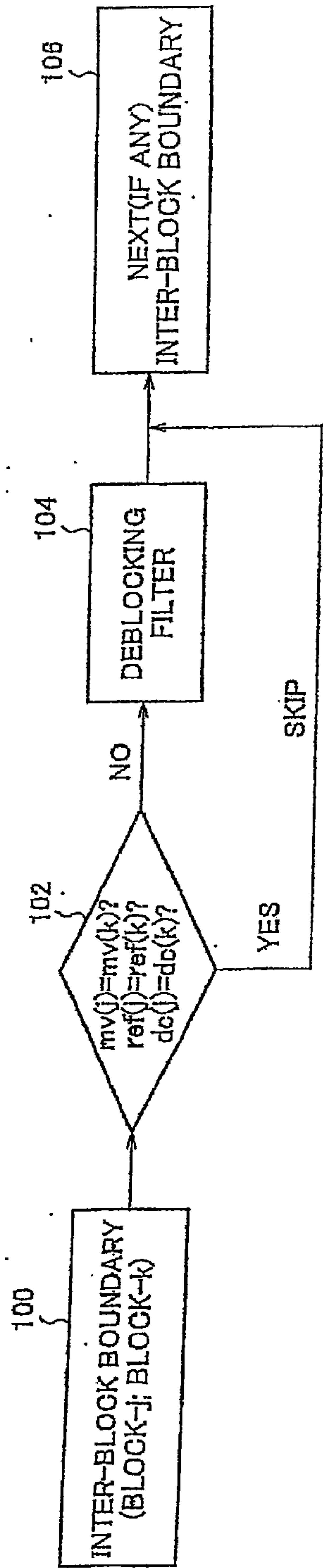
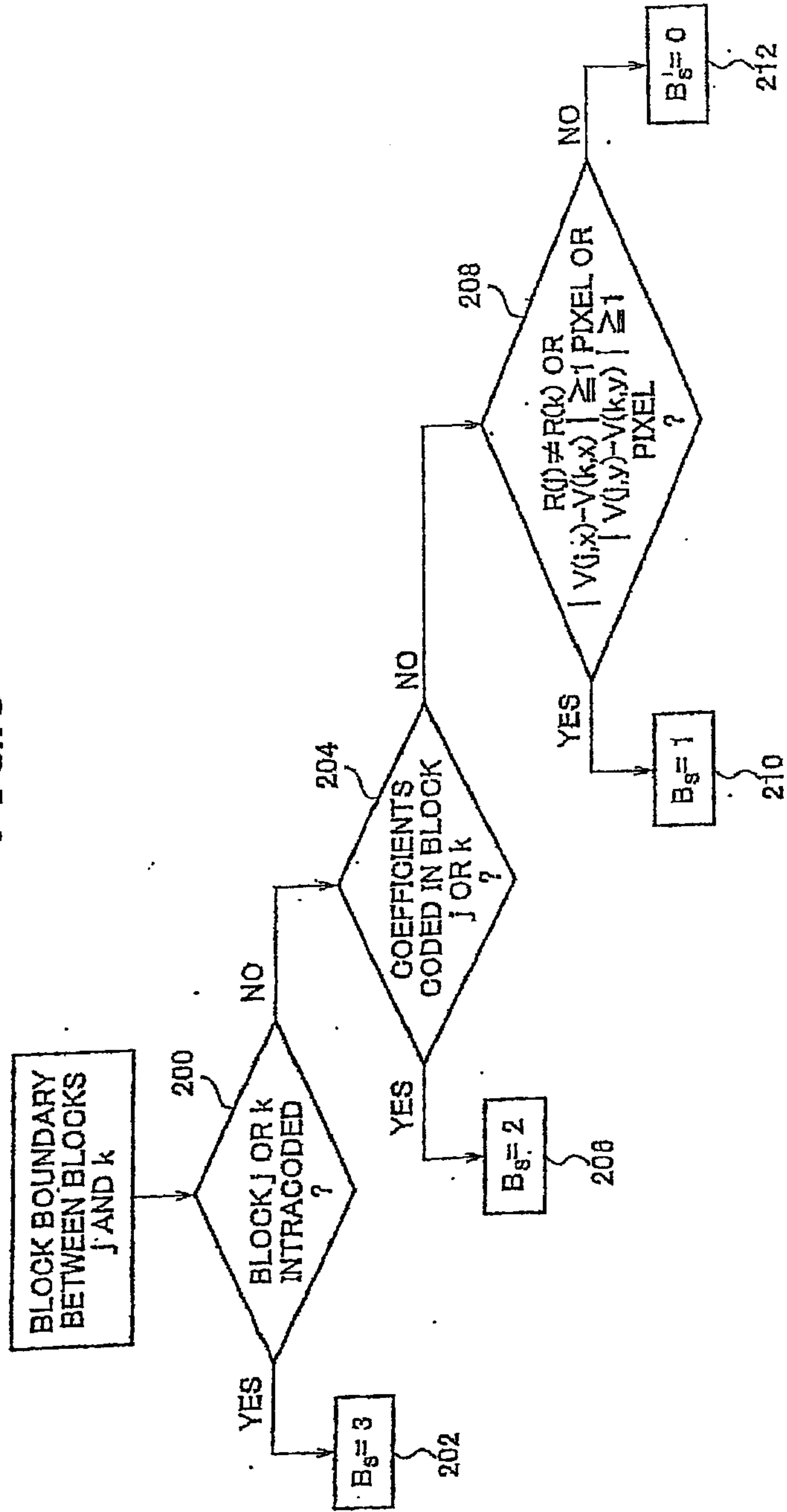


FIG.7

/// = FILTERED

0	1	0	0
0	0	0	0
0	0	0	0
0	1	2	0
0	0	0	0

FIG. 8



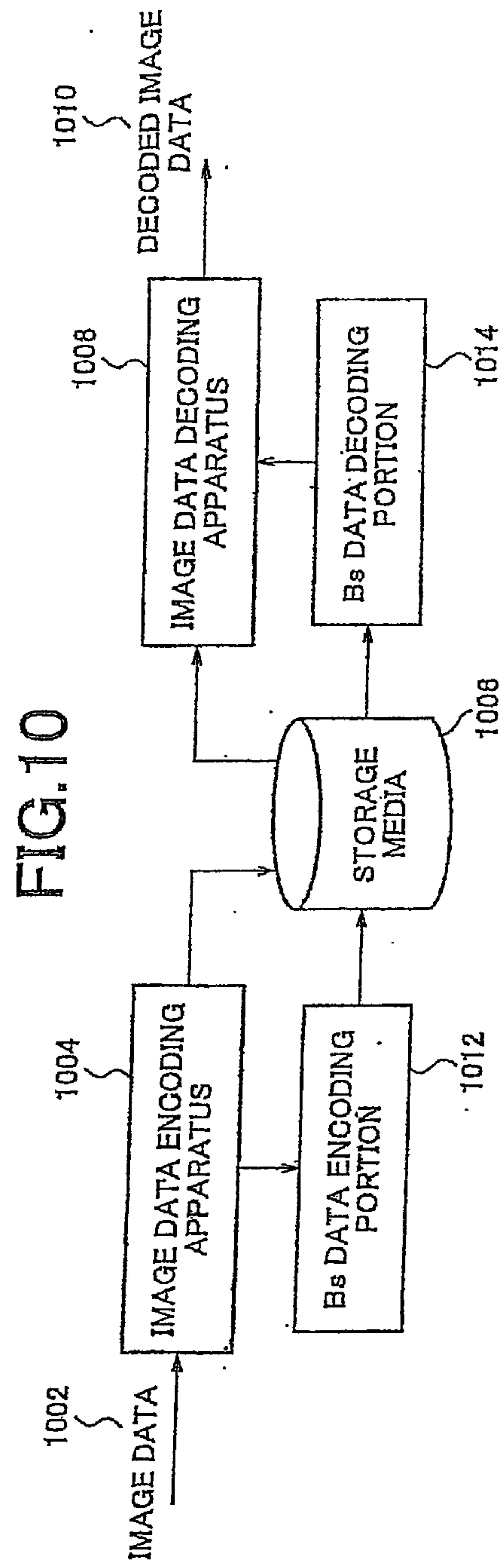
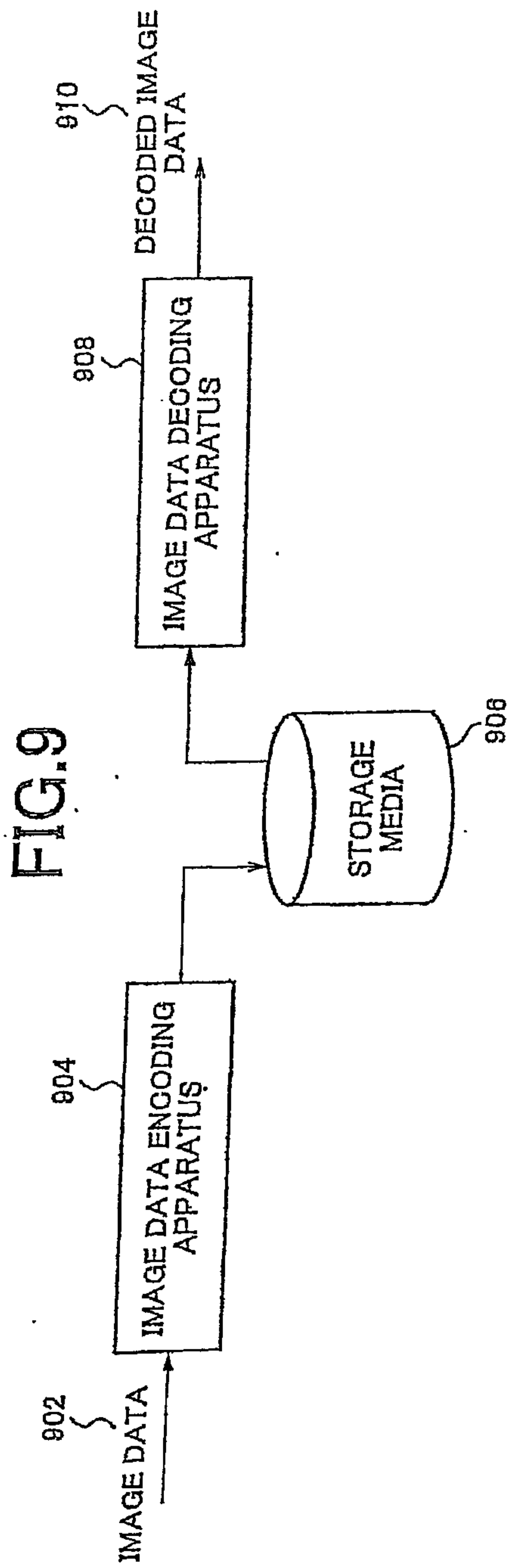


FIG. 11

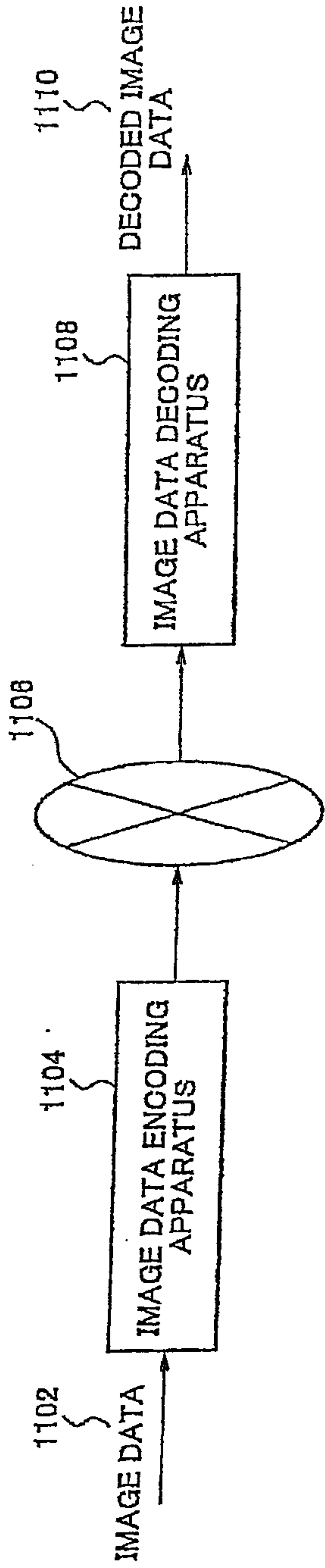


FIG. 12

