



US00D773591S

(12) **United States Design Patent** (10) **Patent No.:** **US D773,591 S**
Morenz (45) **Date of Patent:** **** Dec. 6, 2016**

(54) **STOCK FOR A SUBMACHINE GUN**

(71) Applicant: **Sig Sauer, Inc.**, Newington, NH (US)

(72) Inventor: **Luke Morenz**, Swanzey, NH (US)

(73) Assignee: **Sig Sauer, Inc.**, Newington, NH (US)

(**) Term: **15 Years**

(21) Appl. No.: **29/551,737**

(22) Filed: **Jan. 15, 2016**

(51) **LOC (10) Cl.** **22-01**

(52) **U.S. Cl.**
USPC **D22/108**

(58) **Field of Classification Search**
USPC D22/108, 109, 103, 100, 101, 104,
105,D22/110; D21/333, 401, 567, 568,
570-575; D14/418; 124/16, 26, 27, 28,
29, 54, 124/73-77; 222/78, 79; 42/54, 57,
58, 71.01, 42/72, 74, 75.3, 90; 446/23,
182, 192, 401, 446/403, 405-407, 473,
475
CPC F41C 23/00; F41C 23/02; F41C 23/04;
F41C 23/06; F41C 23/08; F41C
23/10; F41C 23/12; F41C 23/14; F41C
23/16; F41C 23/18; F41C 23/20; F41C
23/22

See application file for complete search history.

(56) **References Cited**

U.S. PATENT DOCUMENTS

| | | | |
|---------------|---------|----------------|---------------------------|
| 2,424,194 A | 7/1947 | Sampson et al. | |
| 2,970,398 A | 2/1961 | Crouch | |
| 3,201,887 A * | 8/1965 | Sedelow | F41C 23/04 42/72 |
| 3,369,316 A * | 2/1968 | Miller | F41C 23/04 42/72 |
| 3,488,488 A | 1/1970 | Crouch | |
| 3,618,584 A | 11/1971 | Pigeon | |
| 4,512,236 A | 4/1985 | Thevis et al. | |
| 4,617,749 A | 10/1986 | Jurek | |

(Continued)

OTHER PUBLICATIONS

Collapsing/Telescoping Stock—MCX/MPX, SIG Sauer, SIG Store, [online], [site visited Sep. 30, 2016]. <URL: <http://store.sigsauer.com/collapsing-telescoping-stock-mcx-mpx.html>>.*

(Continued)

Primary Examiner — T. Chase Nelson

Assistant Examiner — Jonathan J Han

(74) *Attorney, Agent, or Firm* — Finch & Maloney PLLC

(57) **CLAIM**

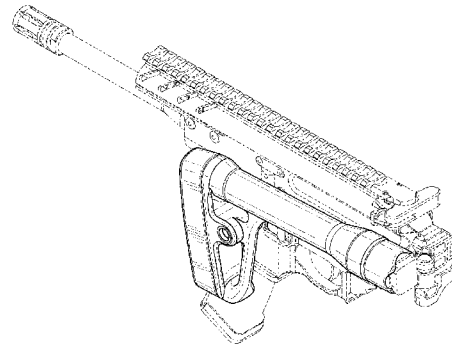
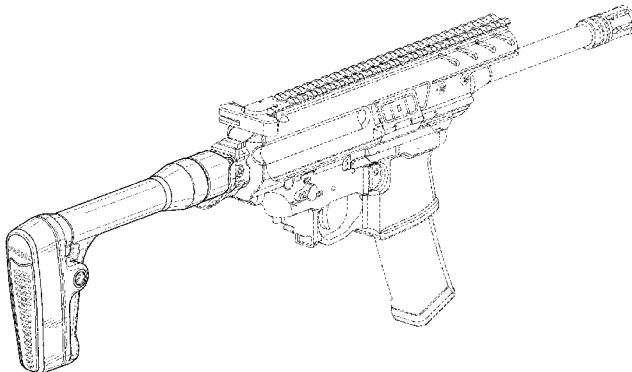
The ornamental design for a stock for a submachine gun, as shown and described.

DESCRIPTION

FIG. 1 is a left elevation view of a stock for a submachine gun showing the design;
FIG. 2 is a right elevation view thereof;
FIG. 3 is a rear elevation view thereof;
FIG. 4 is a top plan view thereof;
FIG. 5 is a bottom plan view thereof;
FIG. 6 is a rear perspective view thereof;
FIG. 7 is a left elevation view thereof, shown in an alternate position;
FIG. 8 is a right elevation view thereof, shown in the alternate position;
FIG. 9 is a rear elevation view thereof, shown in the alternate position;
FIG. 10 is a front elevation view thereof, shown in the alternate position;
FIG. 11 is a top plan view thereof, shown in the alternate position;
FIG. 12 is a bottom plan view thereof, shown in the alternate position; and,
FIG. 13 is a rear perspective view thereof, shown in the alternate position.

A front elevation view has been omitted from the first illustrated position as it does not form a portion of the

(Continued)



claimed invention. Broken lines in the drawings are for the purpose of illustrating environmental structure and form no part of the claimed design.

1 Claim, 10 Drawing Sheets

(56)

References Cited

U.S. PATENT DOCUMENTS

4,735,007 A 4/1988 Gal
 5,209,215 A * 5/1993 Morrison F41B 5/12
 124/22
 D344,124 S 2/1994 Cupp
 D410,988 S 6/1999 Hines
 5,983,774 A 11/1999 Mihaita
 6,839,998 B1 1/2005 Armstrong
 D510,401 S 10/2005 Murello et al.
 7,418,797 B1 * 9/2008 Crose F41C 23/14
 42/71.01
 D600,310 S 9/2009 Fitzpatrick et al.
 D606,155 S 12/2009 Swan
 D606,156 S 12/2009 Swan
 D622,802 S * 8/2010 Fitzpatrick D22/103
 7,798,045 B1 * 9/2010 Fitzpatrick F41A 21/481
 42/69.02
 7,827,722 B1 * 11/2010 Davies F41A 3/94
 42/71.01
 D636,044 S 4/2011 Larson et al.
 D636,048 S 4/2011 Larson et al.
 7,966,761 B1 * 6/2011 Kuczynko F41C 23/04
 42/73
 D641,062 S * 7/2011 Faifer D22/103
 8,061,072 B1 11/2011 Crose
 8,109,026 B1 * 2/2012 Bentley F41C 23/04
 42/73
 8,151,504 B1 4/2012 Aiston
 8,245,429 B2 8/2012 Kuczynko et al.
 D671,184 S 11/2012 Larson et al.
 D674,859 S 1/2013 Robbins et al.
 8,443,538 B1 5/2013 Moody
 8,448,366 B2 * 5/2013 Faifer F41C 23/04
 42/71.01
 8,522,467 B1 9/2013 Christensen et al.
 D692,084 S * 10/2013 Eberle D22/103
 D692,517 S 10/2013 Faifer
 D696,374 S * 12/2013 Faifer D22/104
 8,631,601 B2 * 1/2014 Langevin F41C 23/04
 42/73
 8,667,882 B1 3/2014 Larson et al.

D702,792 S * 4/2014 Burt D22/103
 8,726,558 B1 5/2014 Nason
 8,769,855 B2 7/2014 Law
 D714,413 S 9/2014 Kerbrat et al.
 8,844,185 B2 9/2014 Jarboe
 D716,403 S 10/2014 Burt et al.
 D724,688 S 3/2015 Hirt et al.
 D725,213 S 3/2015 Hirt et al.
 D725,219 S 3/2015 Hirt et al.
 D725,220 S 3/2015 Hirt et al.
 D731,023 S 6/2015 Hirt et al.
 D733,223 S * 6/2015 Chu D21/573
 D744,056 S * 11/2015 Jammet D22/108
 9,297,609 B2 * 3/2016 Burt F41C 23/16
 9,453,701 B2 * 9/2016 Simek F41C 23/14
 2005/0108915 A1 * 5/2005 Kincel F41C 23/22
 42/71.01
 2006/0242880 A1 * 11/2006 Griffin F41C 23/04
 42/73
 2008/0028662 A1 * 2/2008 Abraham F41C 23/14
 42/73
 2009/0282718 A1 11/2009 Bartley
 2010/0186276 A1 7/2010 Herring
 2011/0283581 A1 11/2011 Freed
 2012/0017482 A1 1/2012 Chvala
 2012/0180354 A1 7/2012 Sullivan et al.
 2013/0125442 A1 5/2013 Burrell, Jr.
 2014/0033590 A1 2/2014 Gomez
 2014/0075816 A1 3/2014 Larson et al.
 2014/0196346 A1 7/2014 Grimshaw et al.
 2014/0260946 A1 9/2014 Gomez
 2016/0084612 A1 * 3/2016 Robinson F41C 23/04
 42/73

OTHER PUBLICATIONS

Does any know if they plan to produce this version?, SIGforum.com, posted by bhead, posted Jan. 2, 2016 03:08 PM, [online], [site visited Sep. 30, 2016]. <URL: <http://sigforum.com/eve/forums/a/tpc/f/320601935/m/4610068653/p/87>>.*
 Are these the new SIG 556 rifles for 2014?, Guns.com, by Max Slowik, posted Jan. 8, 2014, [online], [site visited Sep. 30, 2016]. <URL: <http://www.guns.com/2014/01/08/new-sig-556-rifles-2014/>>.*
 SIG Sauer X-Collapsible Stock for MCX MPX, Rainier Arms, [online], [site visited Sep. 30, 2016]. <URL: <https://www.rainierarms.com/sig-sauer-x-collapsible-stock-for-mcx-mpx>>.*
 Stock, Folding, MPX, 1913 Interface, [online], [site visited Sep. 30, 2016]. <URL: <https://www.bullzie.com/product/stock-folding-mpx-1913-interface/>>.*

* cited by examiner

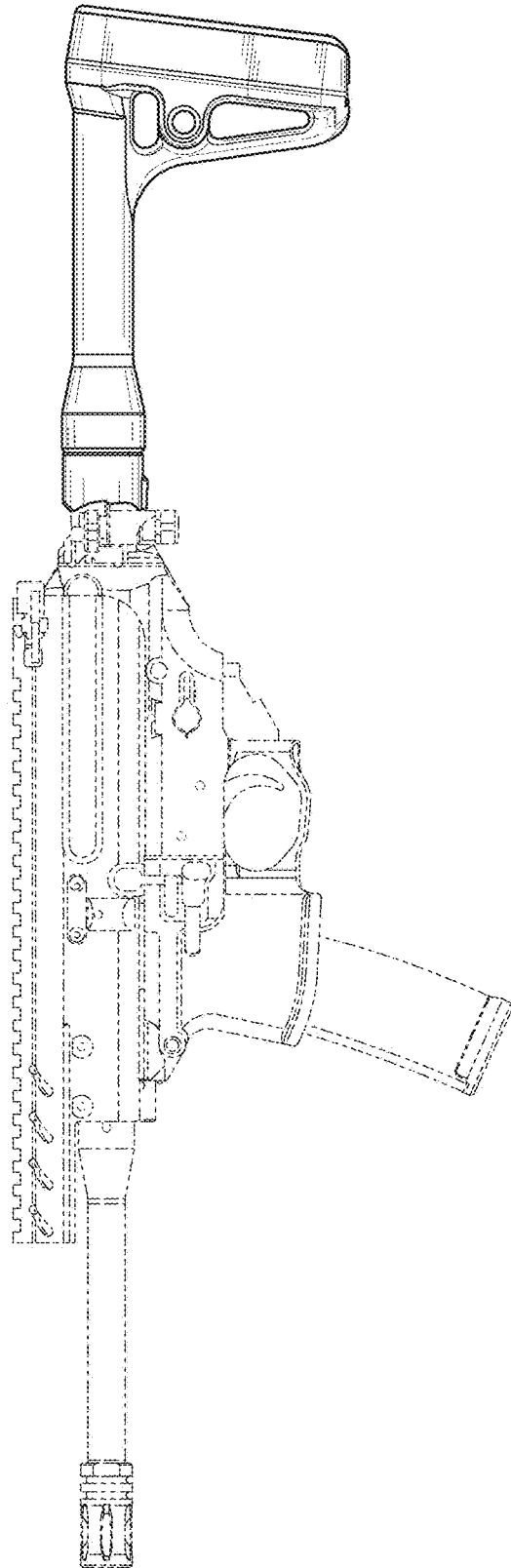


FIG. 1

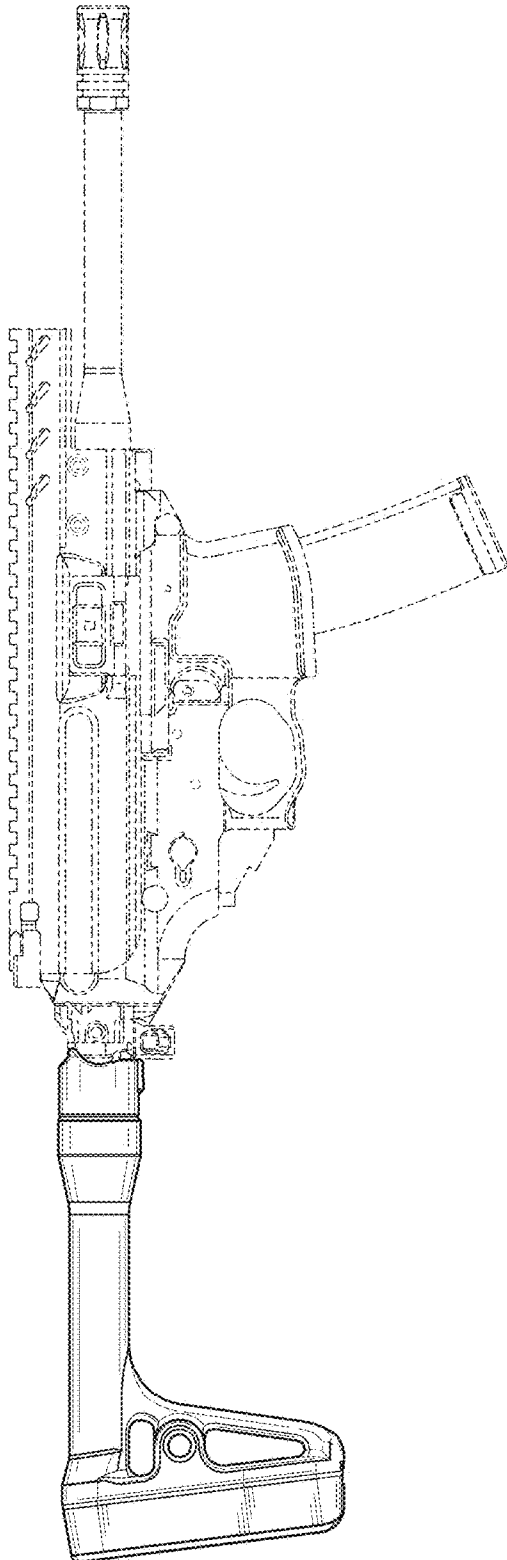


FIG. 2

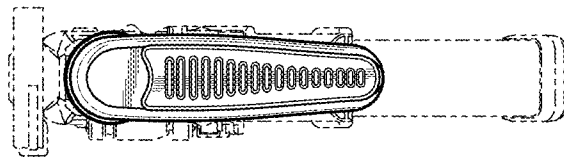


FIG. 3

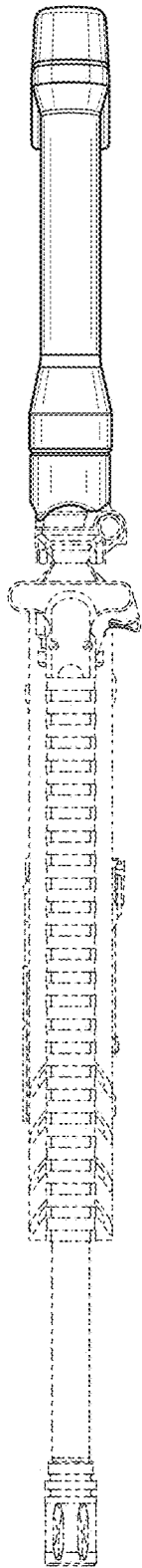


FIG. 4

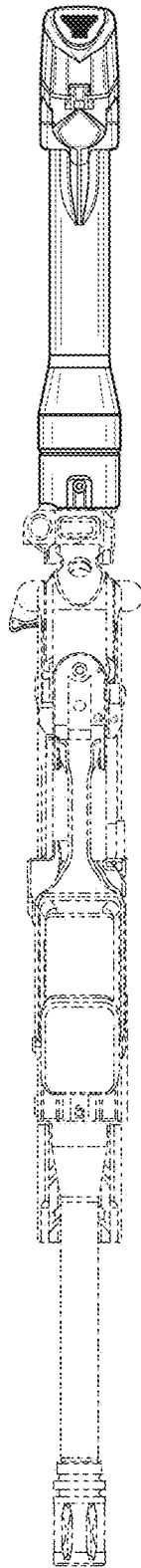


FIG. 5

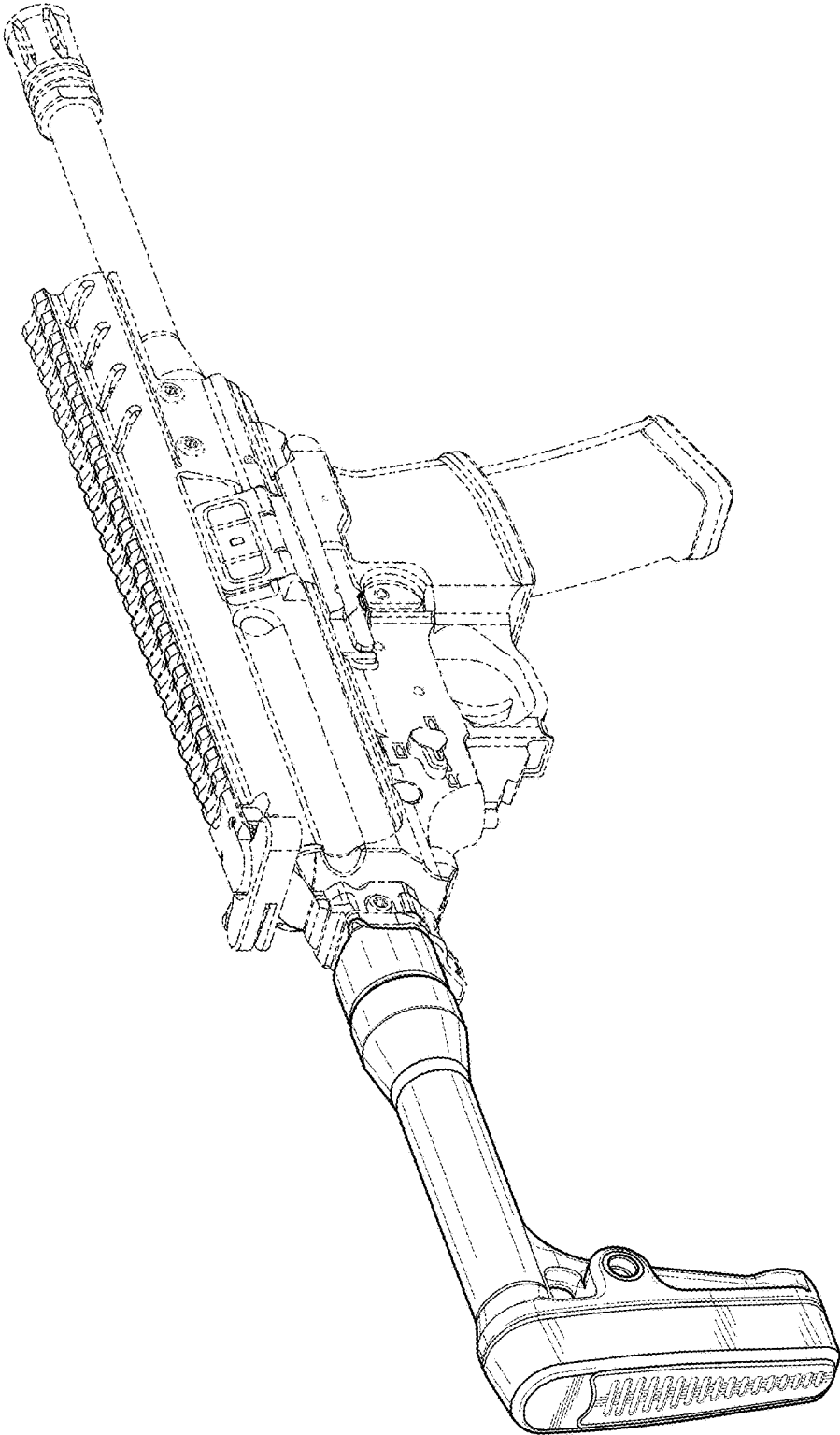


FIG. 6

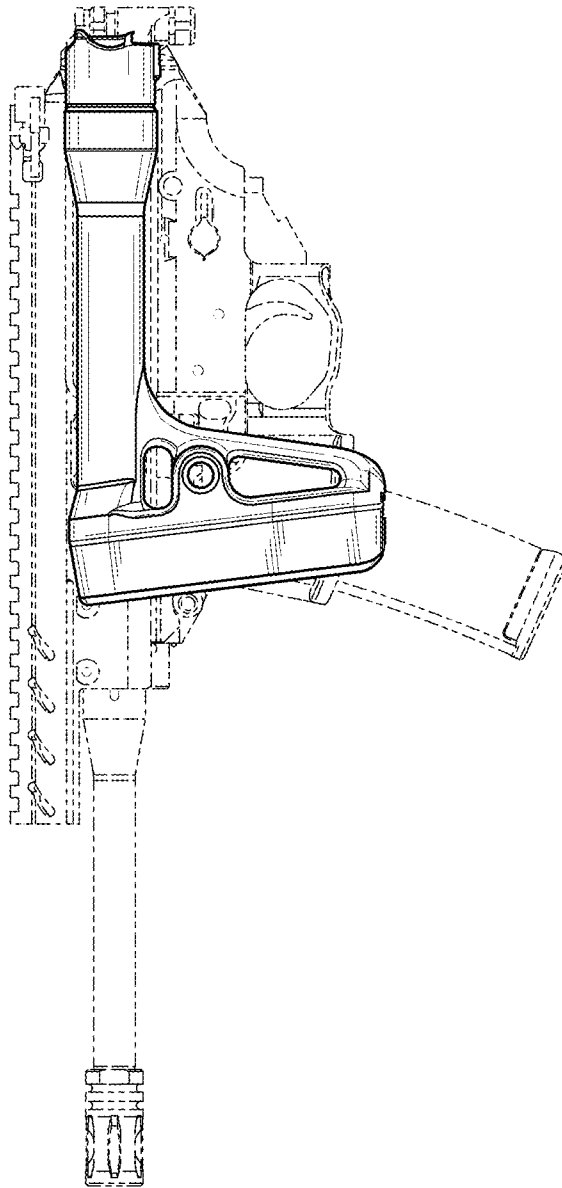


FIG. 7

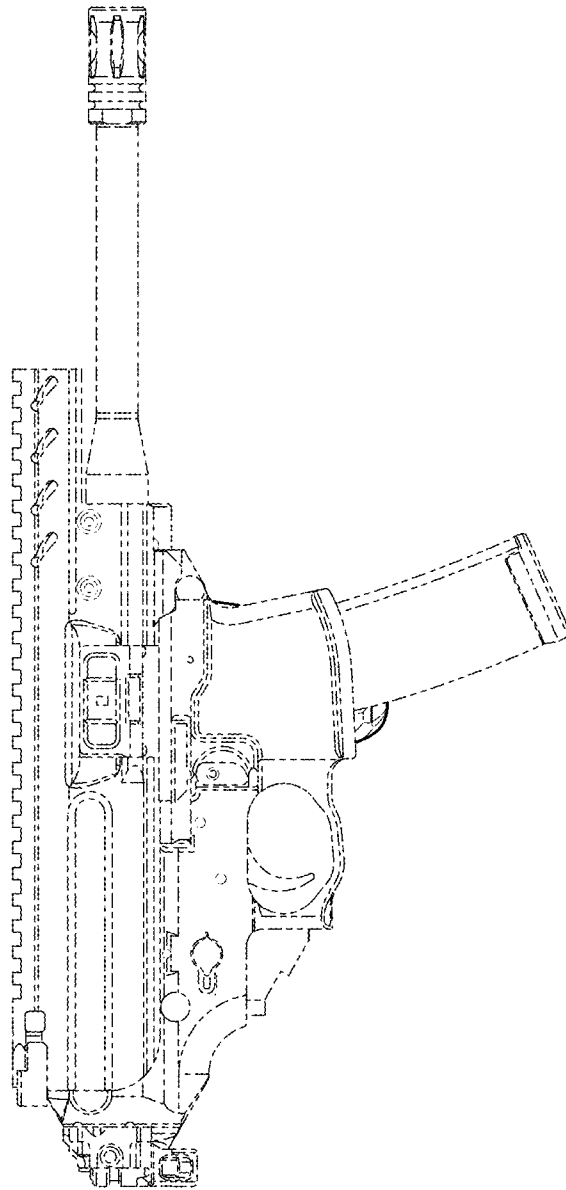


FIG. 8

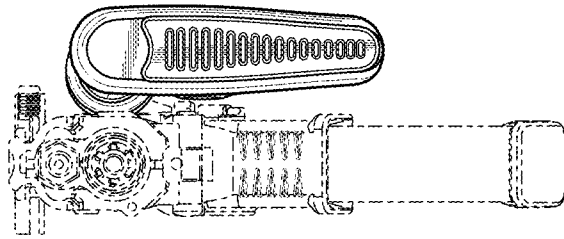


FIG. 10

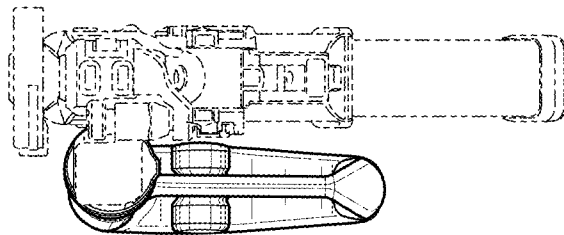


FIG. 9

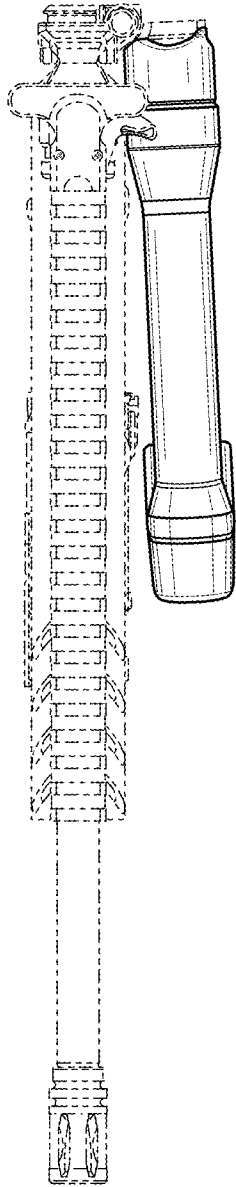


FIG. 11

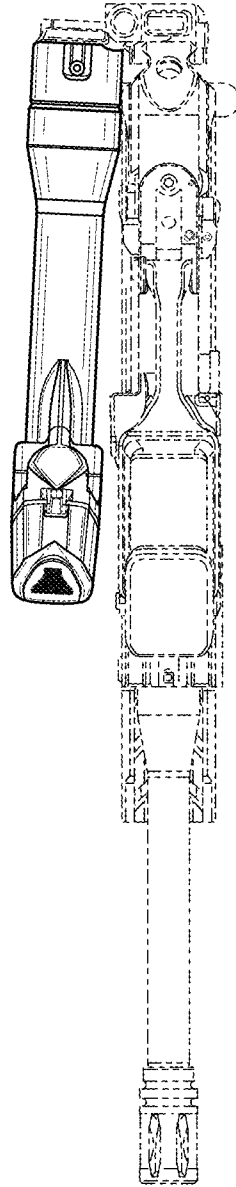


FIG. 12

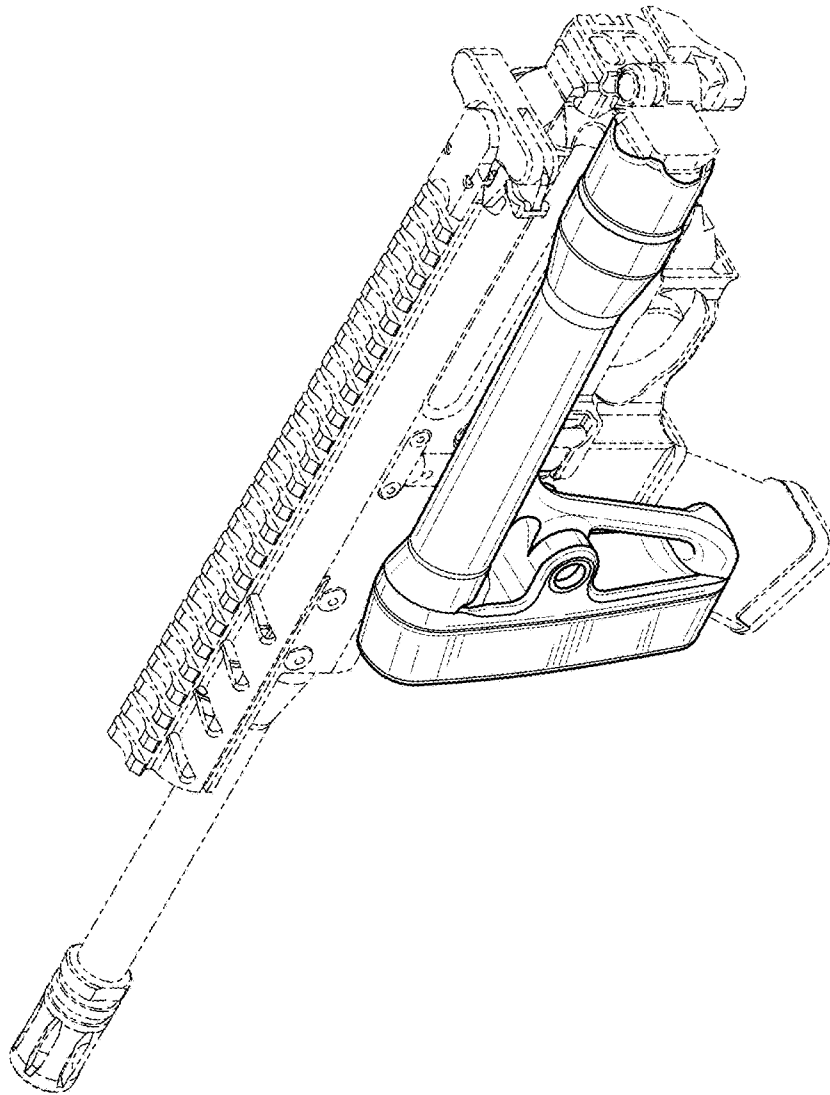


FIG. 13