



US00D779006S

(12) **United States Design Patent**
Abbott

(10) **Patent No.:** **US D779,006 S**

(45) **Date of Patent:** **** Feb. 14, 2017**

(54) **PUTTER HEAD**

(71) Applicant: **CALLAWAY GOLF COMPANY,**
Carlsbad, CA (US)

(72) Inventor: **Craig E. Abbott,** Vista, CA (US)

(73) Assignee: **Callaway Golf Company,** Carlsbad,
CA (US)

(**) Term: **15 Years**

(21) Appl. No.: **29/544,619**

(22) Filed: **Nov. 4, 2015**

(51) **LOC (10) Cl.** **21-02**

(52) **U.S. Cl.**

USPC **D21/744**

(58) **Field of Classification Search**

USPC D21/733-746, 759

CPC A63B 53/00; A63B 53/04; A63B 53/007;
A63B 53/065; A63B 53/0487

See application file for complete search history.

(56) **References Cited**

U.S. PATENT DOCUMENTS

D256,824 S *	9/1980	Ward	D21/736
D474,520 S *	5/2003	Mills	D21/744
D510,395 S *	10/2005	Miraflor	D21/759
D532,468 S *	11/2006	Hettinger	D21/743
D590,463 S *	4/2009	Hettinger	D21/743

D625,374 S *	10/2010	Hettinger	D21/743
D634,801 S *	3/2011	Rollinson	D21/743
D661,754 S *	6/2012	Cameron	D21/759
D730,465 S *	5/2015	Cameron	D21/759
D763,382 S *	8/2016	Cardani	D21/759
D765,198 S *	8/2016	Cardani	D21/759
D769,994 S *	10/2016	Hunter	D21/743

* cited by examiner

Primary Examiner — Mitchell Siegel

(74) *Attorney, Agent, or Firm* — Rebecca Hanovice;
Michael Catania; Sonia Lari

(57) **CLAIM**

The ornamental design for a putter head, as shown and described.

DESCRIPTION

FIG. 1 is a rear perspective view of a the putter head as claimed herein;

FIG. 2 is a rear elevational view thereof;

FIG. 3 is a front elevational view thereof;

FIG. 4 is a right side elevational view thereof;

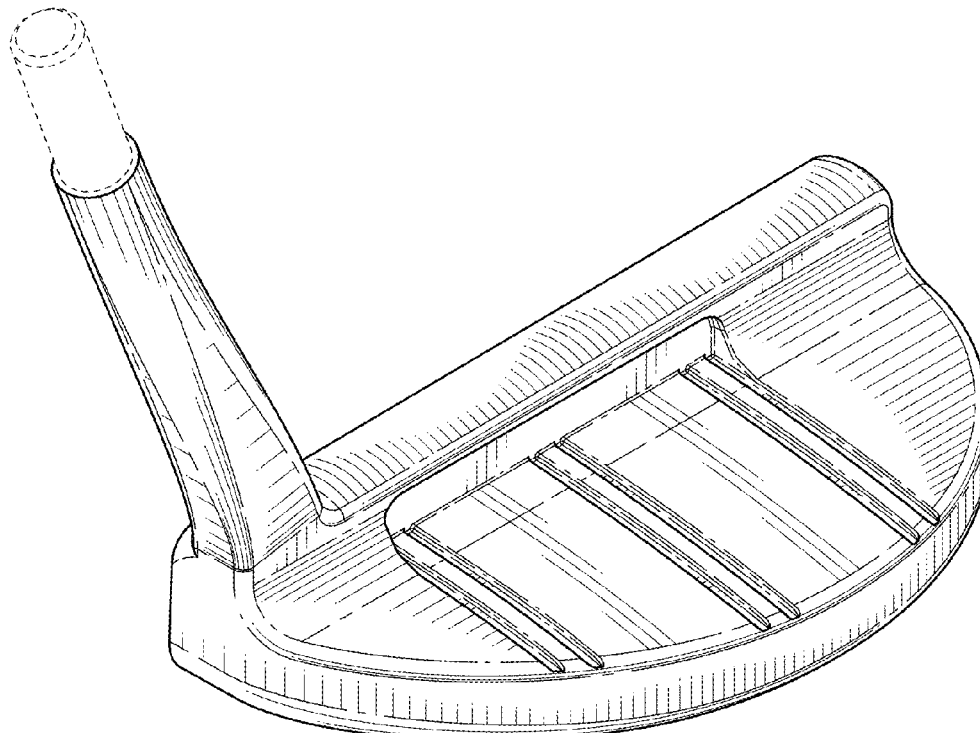
FIG. 5 is a left side elevational view thereof;

FIG. 6 is a top plan view thereof; and,

FIG. 7 is a bottom plan view thereof.

The broken lines are included for the purpose of illustration and form no part of the claimed design.

1 Claim, 4 Drawing Sheets



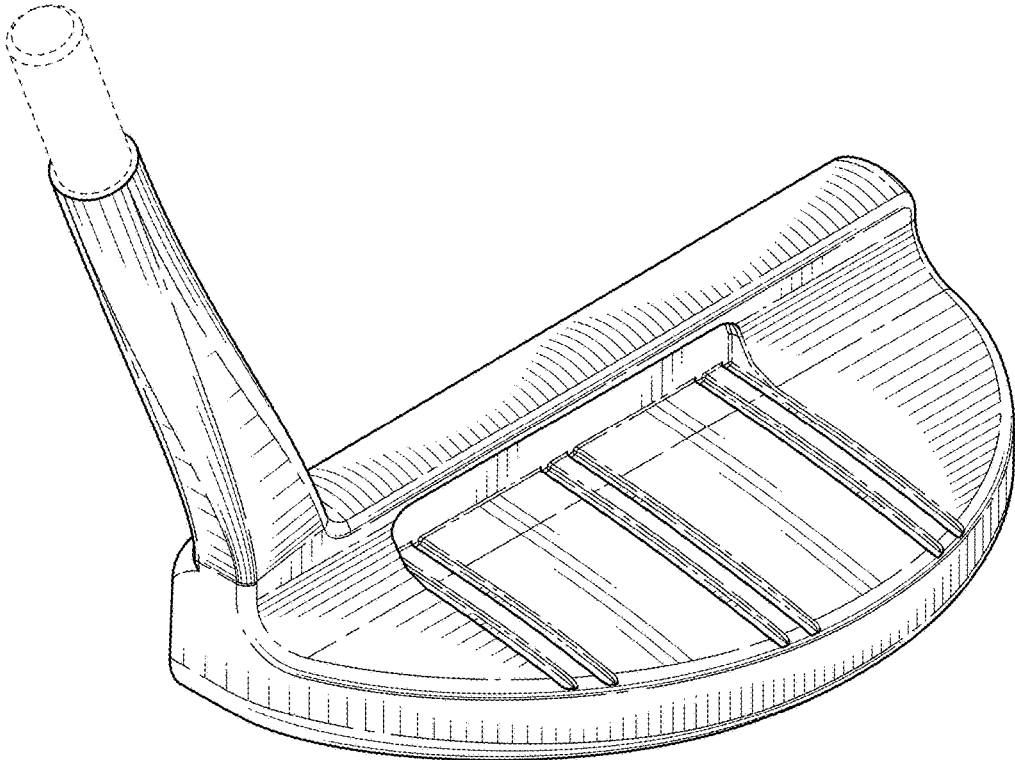


FIG. 1

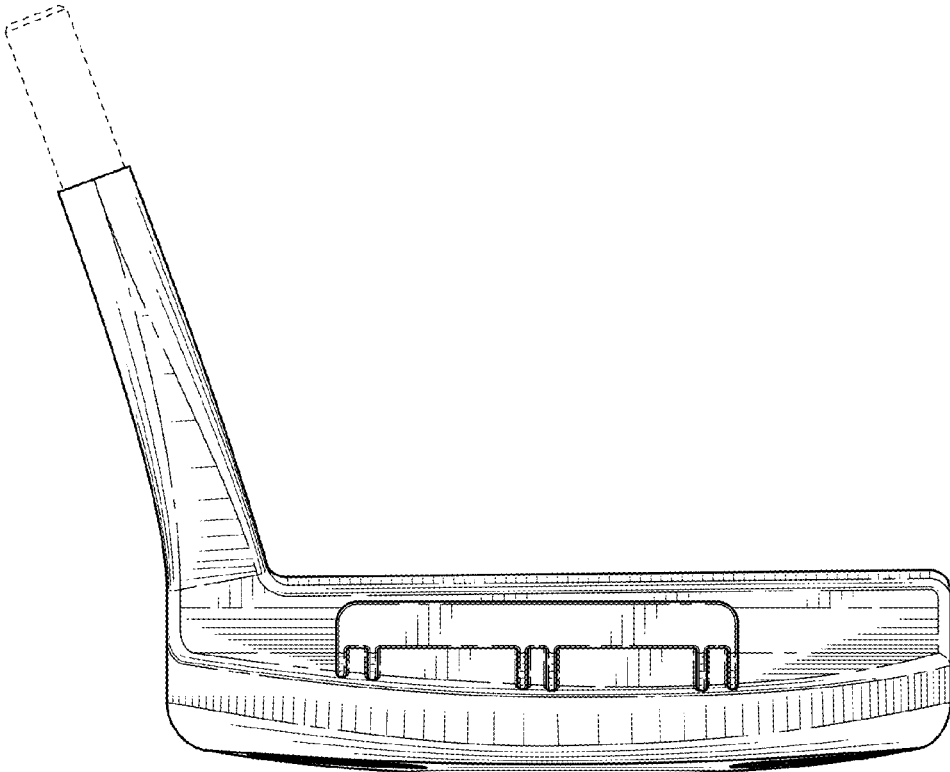


FIG. 2

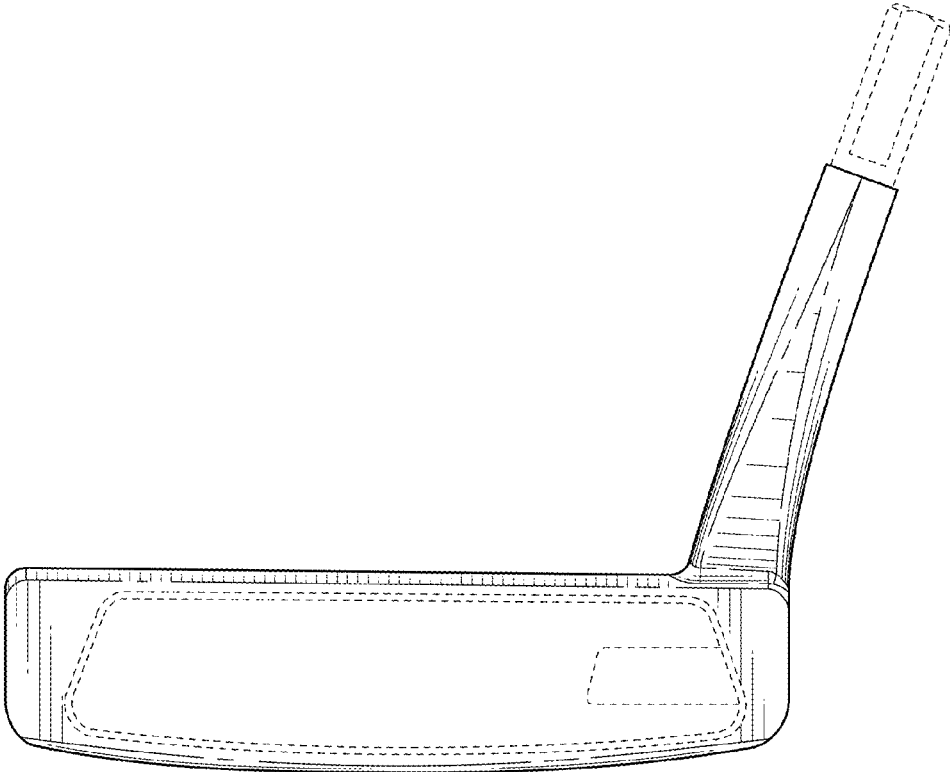


FIG. 3

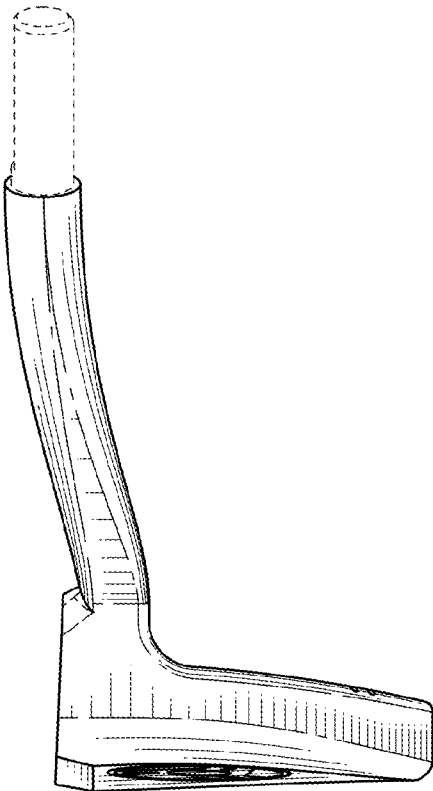


FIG. 4

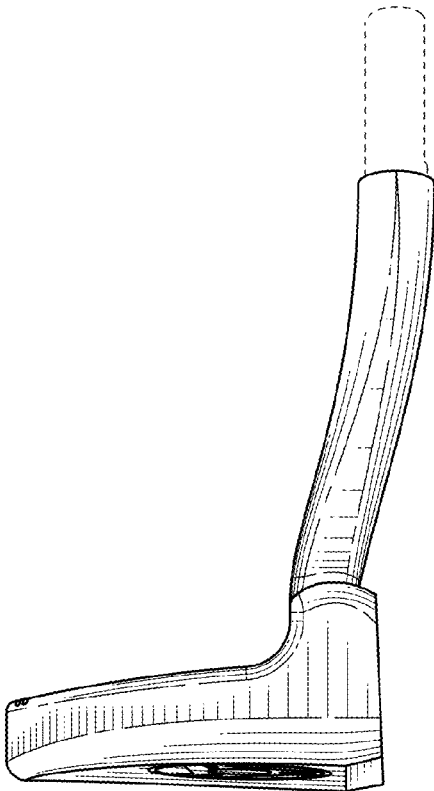


FIG. 5

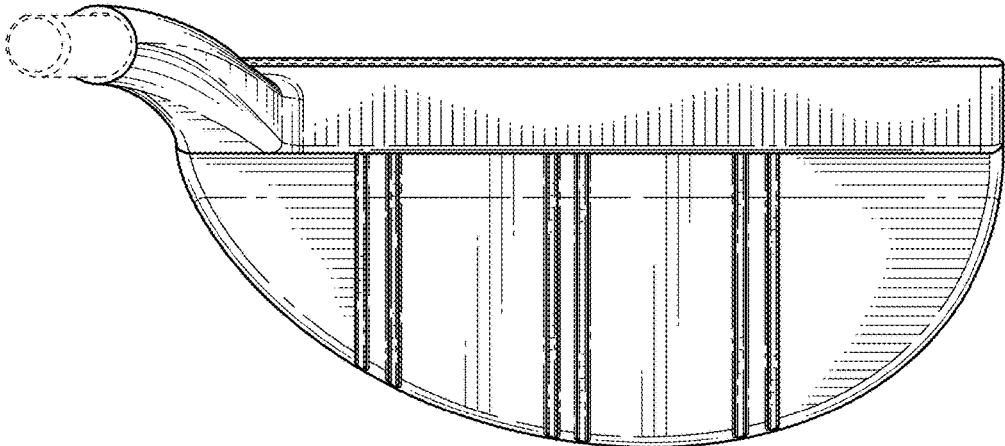


FIG. 6

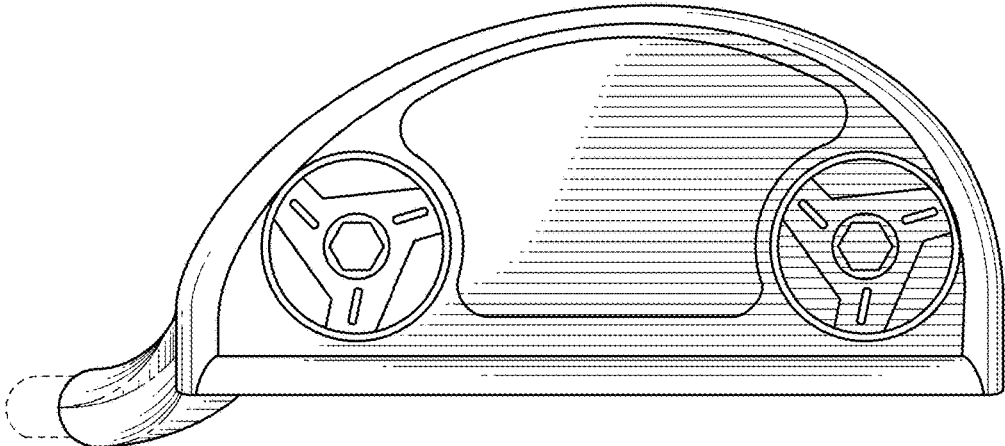


FIG. 7