

(19) World Intellectual Property Organization
International Bureau



(43) International Publication Date
3 August 2006 (03.08.2006)

PCT

(10) International Publication Number
WO 2006/079939 A3

(51) International Patent Classification:
G08C 17/00 (2006.01)

[DE/DE]; C/o Philips Intellectual Property &, Standards GmbH, Weisshausstr. 2, 52066 Aachen (DE).

(21) International Application Number:
PCT/IB2006/050164

(74) Agent: VOLMER, Georg; Philips Intellectual Property &, Standards GmbH, Weisshausstr. 2, 52066 Aachen (DE).

(22) International Filing Date: 17 January 2006 (17.01.2006)

(81) Designated States (unless otherwise indicated, for every kind of national protection available): AE, AG, AL, AM, AT, AU, AZ, BA, BB, BG, BR, BW, BY, BZ, CA, CH, CN, CO, CR, CU, CZ, DE, DK, DM, DZ, EC, EE, EG, ES, FI, GB, GD, GE, GH, GM, HR, HU, ID, IL, IN, IS, JP, KE, KG, KM, KN, KP, KR, KZ, LC, LK, LR, LS, LT, LU, LV, LY, MA, MD, MG, MK, MN, MW, MX, MZ, NA, NG, NI, NO, NZ, OM, PG, PH, PL, PT, RO, RU, SC, SD, SE, SG, SK, SL, SM, SY, TJ, TM, TN, TR, TT, TZ, UA, UG, US, UZ, VC, VN, YU, ZA, ZM, ZW.

(25) Filing Language: English

(26) Publication Language: English

(30) Priority Data:
05100585.8 28 January 2005 (28.01.2005) EP

(71) Applicant (for DE only): PHILIPS INTELLECTUAL PROPERTY & STANDARDS GMBH [DE/DE]; Stein-damm 94, 20099 Hamburg (DE).

(71) Applicant (for all designated States except DE, US): KONINKLIJKE PHILIPS ELECTRONICS N. V. [NL/NL]; Groenewoudseweg 1, NL-5621 BA Eindhoven (NL).

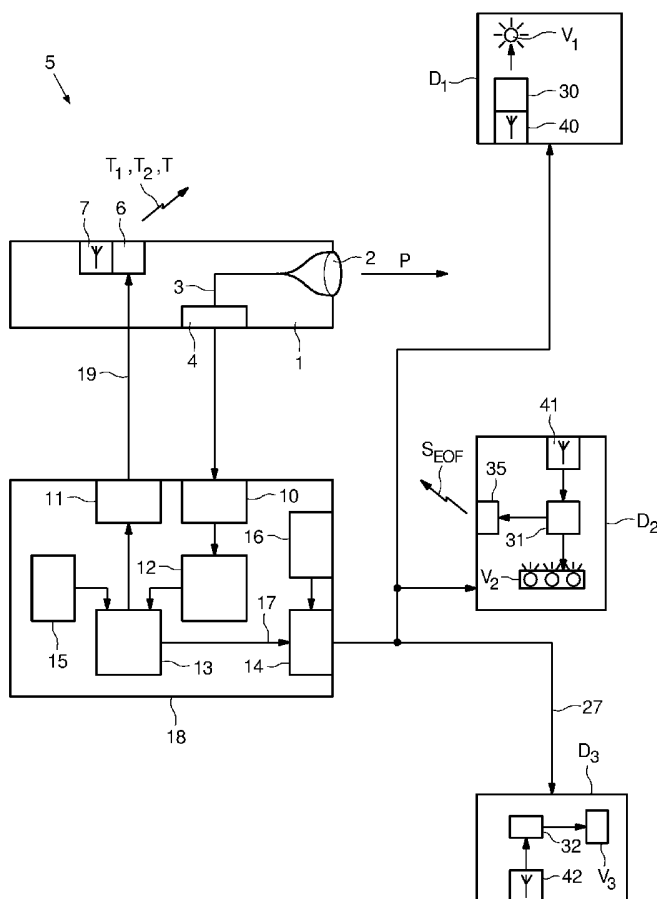
(72) Inventor; and

(75) Inventor/Applicant (for US only): KNEISSLER, Jan

(84) Designated States (unless otherwise indicated, for every kind of regional protection available): ARIPO (BW, GH, GM, KE, LS, MW, MZ, NA, SD, SL, SZ, TZ, UG, ZM, ZW), Eurasian (AM, AZ, BY, KG, KZ, MD, RU, TJ, TM), European (AT, BE, BG, CH, CY, CZ, DE, DK, EE, ES, FI, FR, GB, GR, HU, IE, IS, IT, LT, LU, LV, MC, NL, PL, PT,

[Continued on next page]

(54) Title: METHOD FOR CONTROL OF A DEVICE



(57) Abstract: The invention describes a method for control of a device (D₁, D₂, D₃), which method comprises the process steps of aiming a pointing device (1) comprising a camera (2) at the device (D₁, D₂, D₃) to be controlled, generating an image (3) of a target area (A) aimed at by the pointing device (1), and interpreting the target area image (3) to determine the presence of a unique visual identifier (V₁, V₂, V₃) associated with the device (D₁, D₂, D₃) to be controlled. On the basis of target area image analysis, the device (D₁, D₂, D₃) at which the pointing device (1) is aimed can be identified, and a control signal (17) can be sent to the identified device (D₁, D₂, D₃). The invention further describes a system (5) for controlling a device (D₁, D₂, D₃), and to such a device (D₁, D₂, D₃). Using the invention any device (D₁, D₂, D₃) of a number of controllable devices (D₁, D₂, D₃) is easily identified by means of the visual identifier (V₁, V₂, V₃). In a preferred embodiment the visual identifier (V₁, V₂, V₃) might be triggered by a trigger signal (T₁, T₂, T).

WO 2006/079939 A3



RO, SE, SI, SK, TR), OAPI (BF, BJ, CF, CG, CI, CM, GA,
GN, GQ, GW, ML, MR, NE, SN, TD, TG).

(88) Date of publication of the international search report:
16 November 2006

Published:

- *with international search report*
- *before the expiration of the time limit for amending the claims and to be republished in the event of receipt of amendments*

For two-letter codes and other abbreviations, refer to the "Guidance Notes on Codes and Abbreviations" appearing at the beginning of each regular issue of the PCT Gazette.

INTERNATIONAL SEARCH REPORT

International application No
PCT/IB2006/050164

A. CLASSIFICATION OF SUBJECT MATTER
INV. G08C17/00

According to International Patent Classification (IPC) or to both national classification and IPC

B. FIELDS SEARCHED

Minimum documentation searched (classification system followed by classification symbols)
G08C

Documentation searched other than minimum documentation to the extent that such documents are included in the fields searched

Electronic data base consulted during the international search (name of data base and, where practical, search terms used)

EPO-Internal

C. DOCUMENTS CONSIDERED TO BE RELEVANT

Category*	Citation of document, with indication, where appropriate, of the relevant passages	Relevant to claim No.
X	WO 2004/047011 A (KONINKLIJKE PHILIPS ELECTRONICS N.V; MEKENKAMP, GERHARDUS, E; DEKKER,) 3 June 2004 (2004-06-03) page 8, line 11 - page 11, line 18 page 13, line 18 - page 14, line 9	1-12
A	WO 00/60534 A (KONINKLIJKE PHILIPS ELECTRONICS N.V) 12 October 2000 (2000-10-12) page 5, line 3 - page 7, line 34	1-12
A	DE 101 10 979 A1 (SIEMENS AG) 26 September 2002 (2002-09-26) paragraph [0027] - paragraph [0031]	1-12

Further documents are listed in the continuation of Box C.

See patent family annex.

* Special categories of cited documents :

"A" document defining the general state of the art which is not considered to be of particular relevance

"E" earlier document but published on or after the international filing date

"L" document which may throw doubts on priority claim(s) or which is cited to establish the publication date of another citation or other special reason (as specified)

"O" document referring to an oral disclosure, use, exhibition or other means

"P" document published prior to the international filing date but later than the priority date claimed

"T" later document published after the international filing date or priority date and not in conflict with the application but cited to understand the principle or theory underlying the invention

"X" document of particular relevance; the claimed invention cannot be considered novel or cannot be considered to involve an inventive step when the document is taken alone

"Y" document of particular relevance; the claimed invention cannot be considered to involve an inventive step when the document is combined with one or more other such documents, such combination being obvious to a person skilled in the art.

"&" document member of the same patent family

Date of the actual completion of the international search

7 September 2006

Date of mailing of the international search report

19/09/2006

Name and mailing address of the ISA/

European Patent Office, P.B. 5818 Patentlaan 2
NL - 2280 HV Rijswijk
Tel. (+31-70) 340-2040, Tx. 31 651 epo nl,
Fax: (+31-70) 340-3016

Authorized officer

Pham, Phong

INTERNATIONAL SEARCH REPORT

Information on patent family members

International application No

PCT/IB2006/050164

Patent document cited in search report	Publication date	Patent family member(s)	Publication date	
WO 2004047011	A	03-06-2004	AU 2003274496 A1	15-06-2004
			CN 1714335 A	28-12-2005
			JP 2006506728 T	23-02-2006
			US 2006050052 A1	09-03-2006
WO 0060534	A	12-10-2000	CN 1310827 A	29-08-2001
			JP 2002541695 T	03-12-2002
DE 10110979	A1	26-09-2002	NONE	