



US00D832626S

(12) **United States Design Patent** (10) **Patent No.:** **US D832,626 S**  
**Chiao et al.** (45) **Date of Patent:** **\*\* Nov. 6, 2018**

(54) **GARAGE BASE CABINET**  
(71) Applicant: **Trinity International Industries, LLC,**  
Carson, CA (US)  
(72) Inventors: **Jerry Chiao,** Newark, CA (US);  
**Cze-Chao Tam,** Palos Verdes, CA  
(US); **Yuan-Luen Chuang,** Ortonville,  
MI (US)  
(73) Assignee: **Trinity International Industries,**  
**L.L.C.,** Carson, CA (US)  
(\*\*) Term: **15 Years**

D458,048 S 6/2002 Camfferman et al.  
D478,433 S 8/2003 Woods  
D479,411 S 9/2003 Nielsen  
D496,540 S \* 9/2004 Moon ..... D6/671.1  
D496,805 S \* 10/2004 Anderson ..... D6/671  
D512,864 S 12/2005 Moon et al.  
D520,264 S \* 5/2006 Mehmen ..... D6/668.1  
D559,588 S \* 1/2008 Mehmen ..... D6/671.1  
D576,421 S 9/2008 Grabowski et al.  
D591,979 S 5/2009 Singler et al.  
D601,137 S \* 9/2009 Koh ..... D14/308  
D602,282 S 10/2009 Lulloff et al.  
D670,510 S \* 11/2012 Daino ..... D6/668.2  
D679,115 S 4/2013 Chavez  
D679,116 S 4/2013 Evangelidis  
D686,437 S 7/2013 Johnson et al.  
D711,165 S \* 8/2014 Phillips ..... D6/671

(21) Appl. No.: **29/605,809**

(22) Filed: **May 30, 2017**

(51) **LOC (11) Cl.** ..... **06-04**

(52) **U.S. Cl.**  
USPC ..... **D6/671.1**

(58) **Field of Classification Search**  
USPC ..... D6/657, 662, 663, 669, 671, 671.1,  
D6/671.2; D12/402; D14/308  
CPC ..... A47B 43/00; A47B 47/02; A47B 47/03;  
A47B 47/04; A47B 47/05  
See application file for complete search history.

(56) **References Cited**

**U.S. PATENT DOCUMENTS**

D144,029 S 3/1946 Broadbent  
3,879,096 A 4/1975 Blodee  
3,926,486 A 12/1975 Sasnett  
3,971,605 A 7/1976 Sasnett  
4,078,342 A 3/1978 Cohen  
5,368,380 A 11/1994 Mottmiller et al.  
D364,064 S 11/1995 Lorenz  
5,586,816 A 12/1996 Geiss, II  
D384,846 S 10/1997 Zaidman et al.  
5,800,029 A 9/1998 Robertson et al.  
D457,754 S \* 5/2002 Fiscus ..... D6/671.1

(Continued)

*Primary Examiner* — Kevin K Rudzinski

*Assistant Examiner* — Paul D Bohannon

(74) *Attorney, Agent, or Firm* — Innovation Capital Law  
Group, LLP; Vic Lin

(57) **CLAIM**

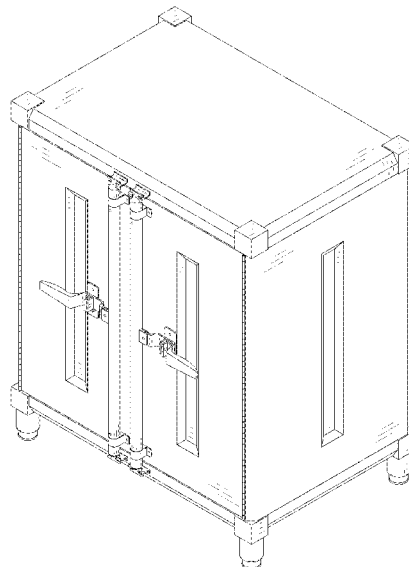
The ornamental design for a garage base cabinet, as shown  
and described.

**DESCRIPTION**

FIG. 1 is a front perspective view of a garage base cabinet;  
FIG. 2 is a rear perspective view thereof;  
FIG. 3 is a front elevation view thereof;  
FIG. 4 is a rear elevation view thereof;  
FIG. 5 is a right elevation view thereof;  
FIG. 6 is a left elevation view thereof;  
FIG. 7 is a top plan view thereof; and,  
FIG. 8 is a bottom plan view thereof.

The broken lines shown in the drawings are included for the  
purpose of illustrating portions of the article that form no  
part of the claimed design.

**1 Claim, 8 Drawing Sheets**



(56)

**References Cited**

U.S. PATENT DOCUMENTS

D711,166	S	*	8/2014	Anderson	.....	D6/671
D711,169	S	*	8/2014	Anderson	.....	D6/671.1
D734,072	S	*	7/2015	Zhao	.....	D6/671.1
D737,603	S	*	9/2015	Shah	.....	D6/671.1
D760,518	S	*	7/2016	Shah	.....	D6/703
D763,604	S	*	8/2016	Weatherly	.....	D6/671.1
D801,728	S		11/2017	Reyes et al.		
D807,085	S		1/2018	Vandenharn et al.		
2005/0057128	A1		3/2005	Anderson et al.		
2017/0361472	A1		12/2017	Padova et al.		

\* cited by examiner

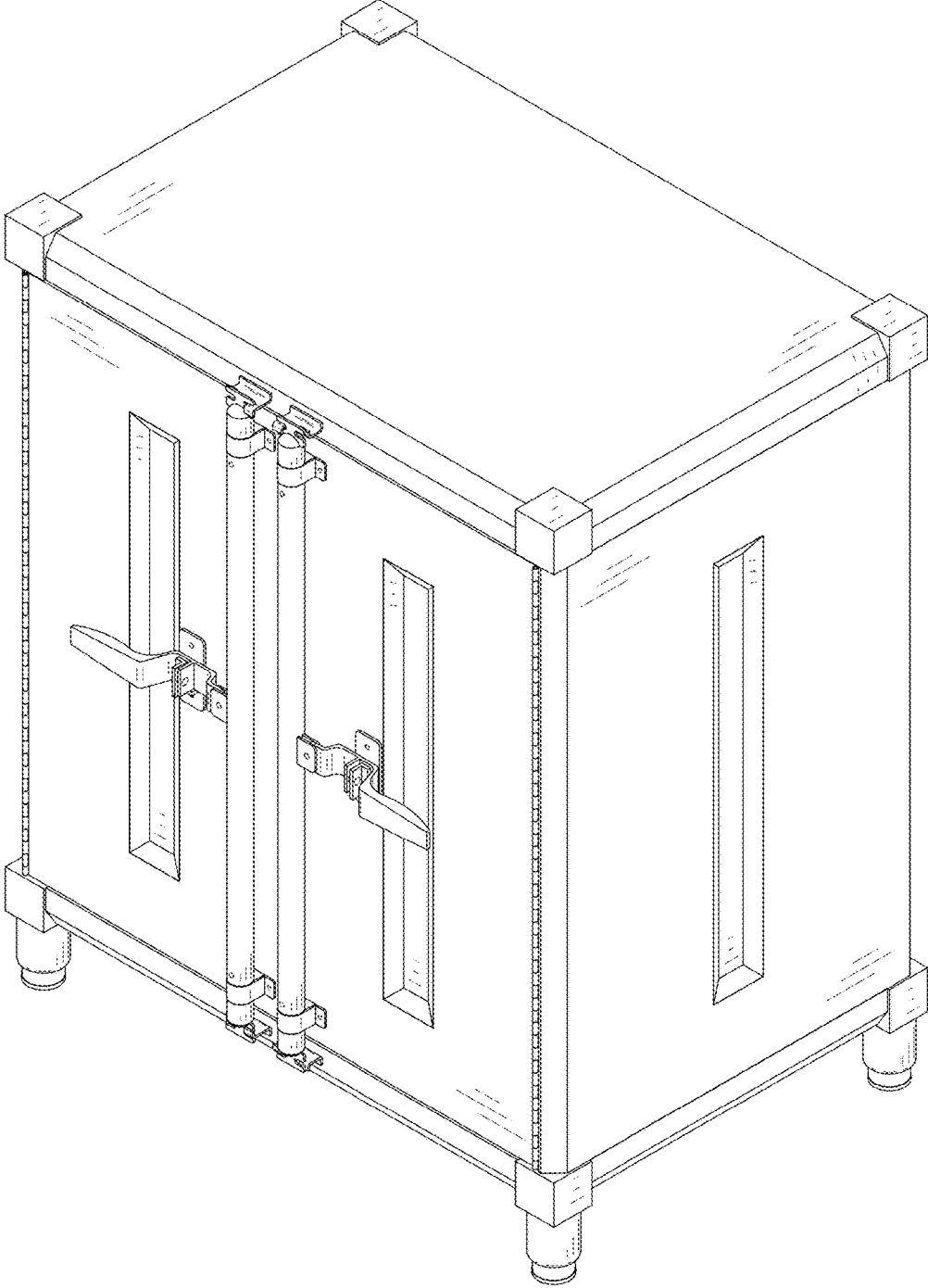


FIG. 1

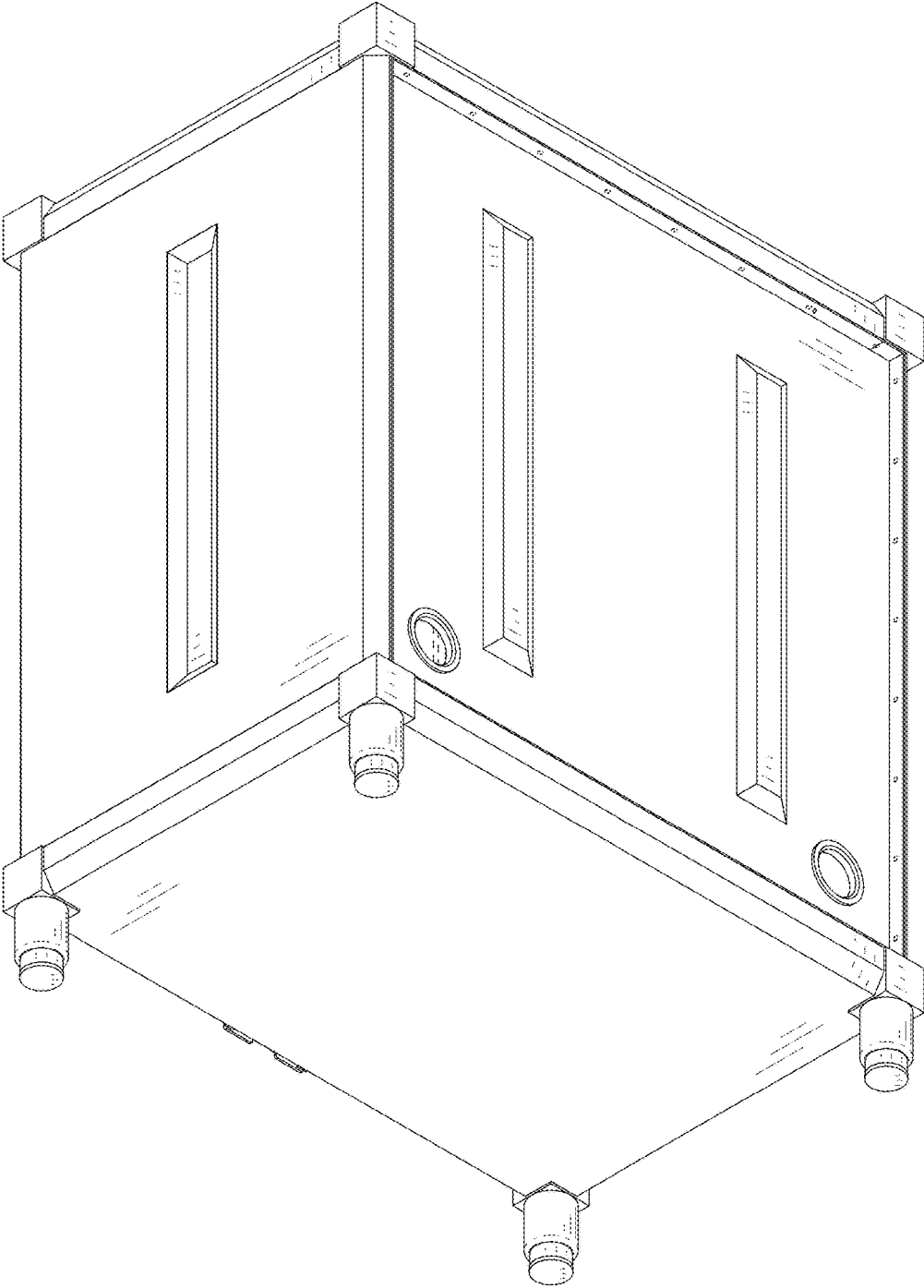


FIG. 2

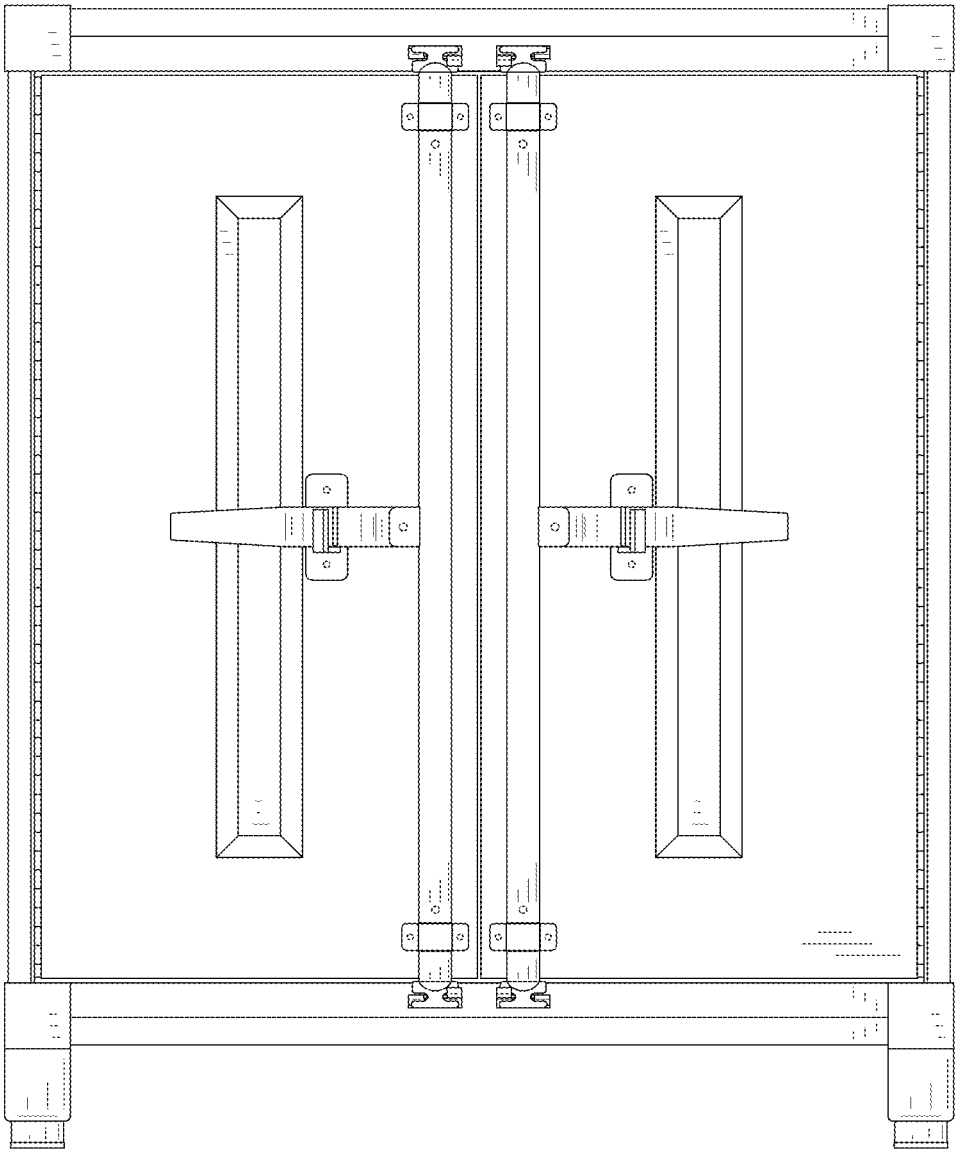


FIG. 3

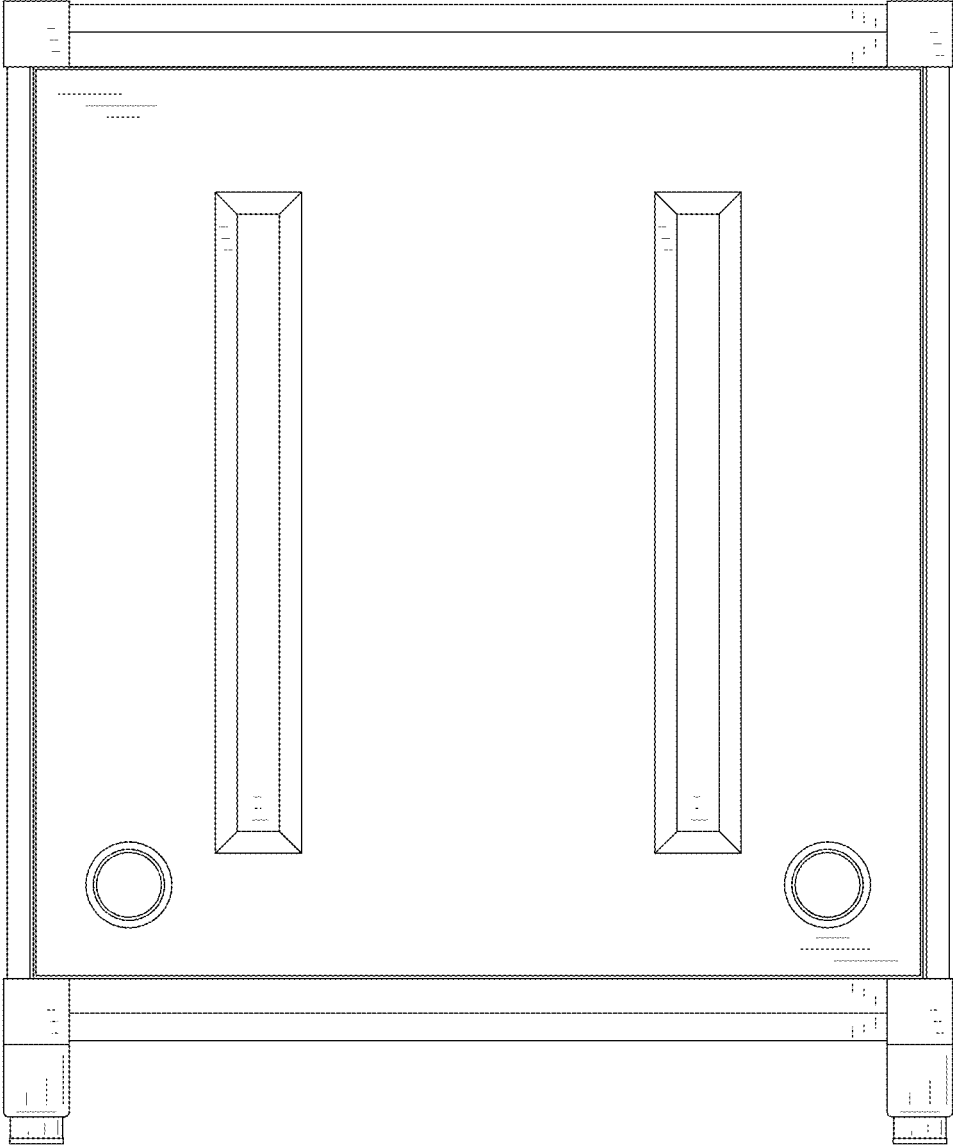


FIG. 4

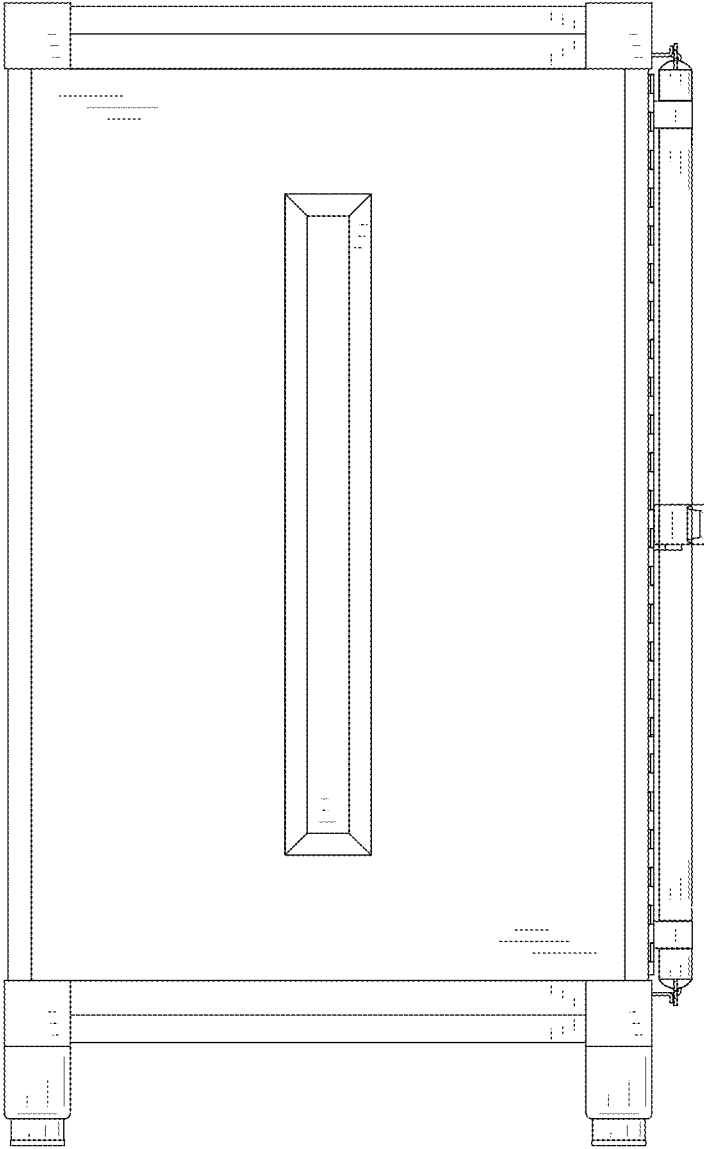


FIG. 5

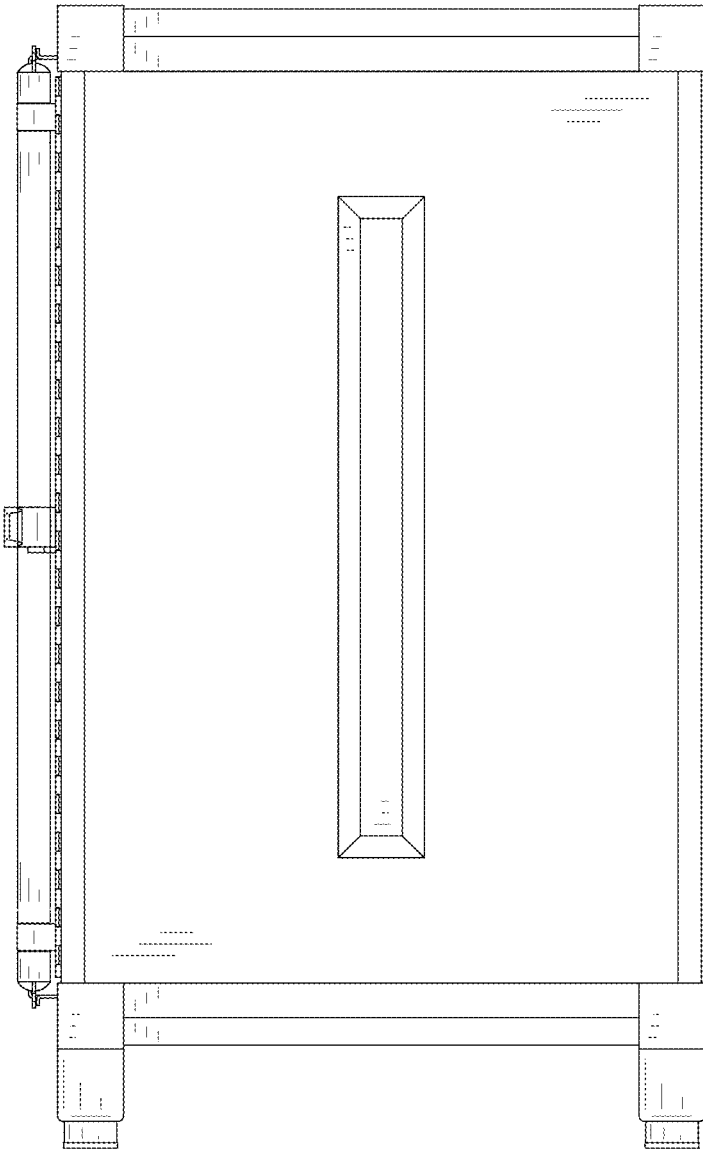


FIG. 6



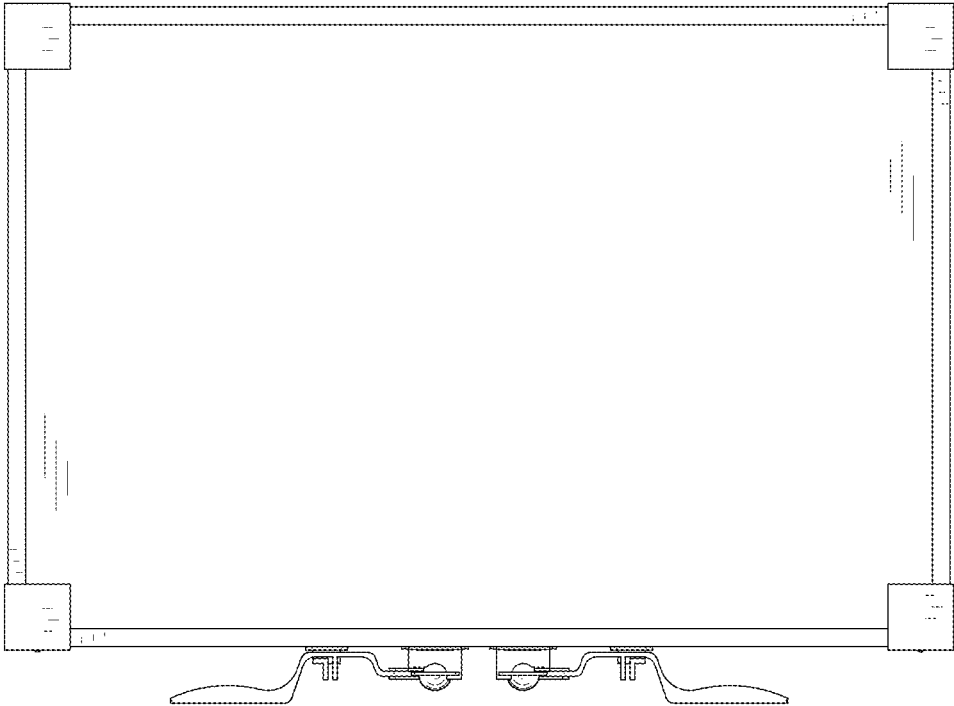


FIG. 7

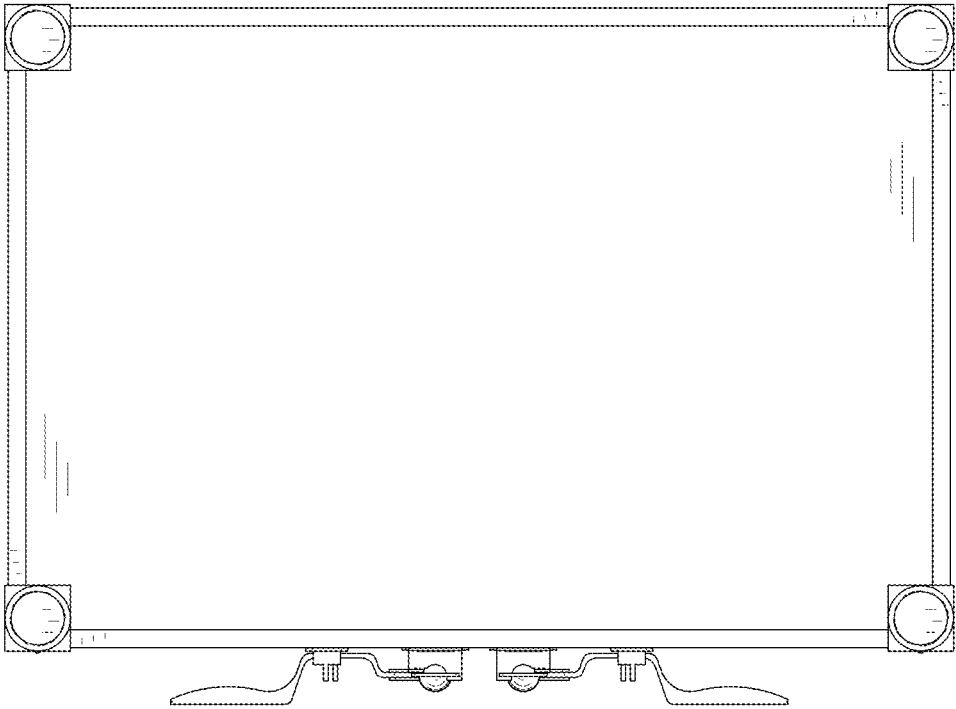


FIG. 8