



US00D406848S

United States Patent [19]
Salmi

[11] **Patent Number: Des. 406,848**

[45] **Date of Patent: **Mar. 16, 1999**

[54] **ACCESSORY MODULE FOR A MOBILE TELEPHONE**

D. 390,848	2/1998	Santee	D14/240
5,517,683	5/1996	Cullett et al.	455/575
5,535,274	7/1996	Bralberg et al.	379/446
5,745,579	4/1998	Newman	379/441 X
5,787,361	7/1998	Chen	455/550

[75] Inventor: **Pertti Salmi**, Oulu, Finland

[73] Assignee: **Nokia Mobile Phones Limited**, Espoo, Finland

[**] Term: **14 Years**

Primary Examiner—Jeffrey Asch
Attorney, Agent, or Firm—Perman & Green, LLP

[21] Appl. No.: **75,605**

[22] Filed: **Sep. 3, 1997**

[57] **CLAIM**

The ornamental design of an accessory module for a mobile telephone, as shown and described.

[51] **LOC (6) Cl.** **14-03**

[52] **U.S. Cl.** **D14/240**

[58] **Field of Search** D14/137, 138,
D14/140, 240, 256, 217, 242; D13/107,
108, 133; 379/419, 420, 428, 440-443;
455/550-575, 90, 347

DESCRIPTION

FIG. 1 is a bottom plan view showing my new design;
FIG. 2 is a right side elevational view thereof;
FIG. 3 is a rear elevational view thereof;
FIG. 4 is a left side elevational view thereof;
FIG. 5 is a front elevational view thereof;
FIG. 6 is a top side elevational view thereof;
FIG. 7 is a top, rear and right side perspective view thereof;
and,
FIG. 8 is a bottom, front and left side perspective view thereof.

[56] **References Cited**

U.S. PATENT DOCUMENTS

D. 328,056	7/1992	Wantabe et al.	D13/108
D. 346,580	5/1994	Tattari	D14/240
D. 368,267	3/1996	Rak et al.	D14/242

1 Claim, 3 Drawing Sheets

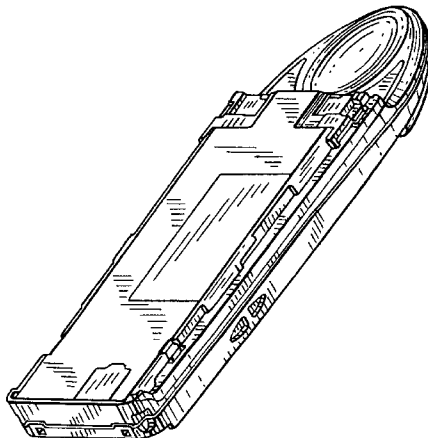
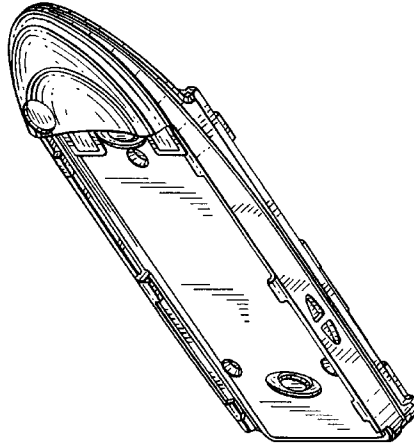


FIG. 1

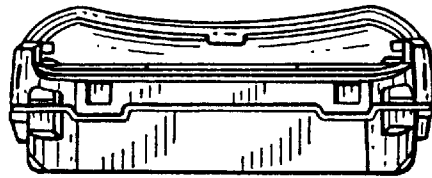


FIG. 2

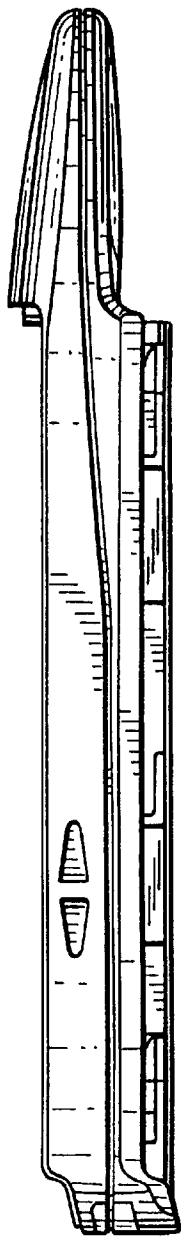


FIG. 3

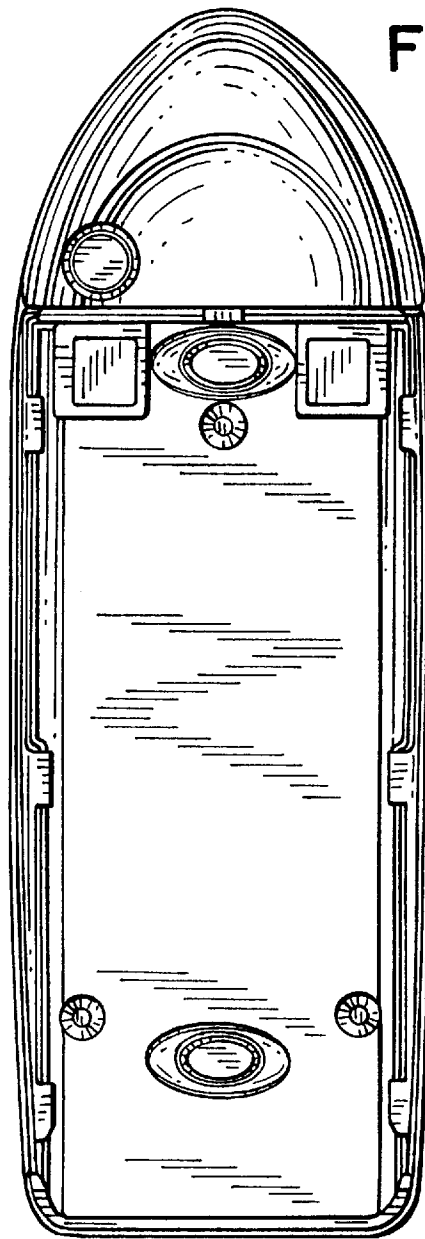


FIG. 4

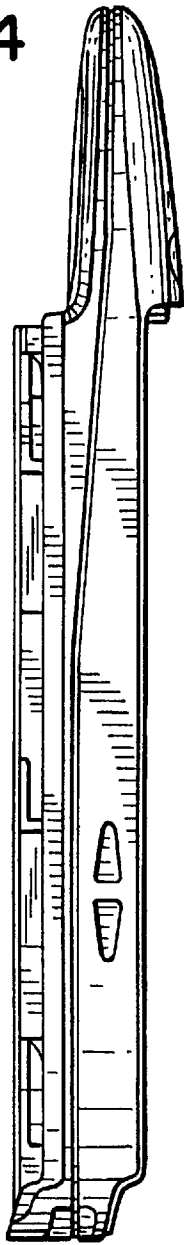


FIG. 5

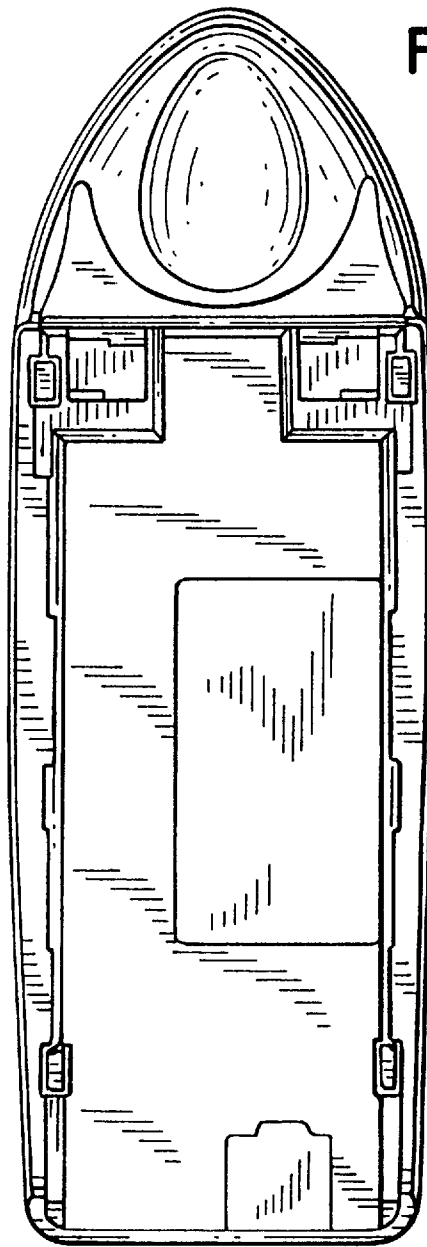
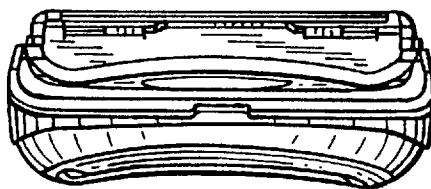


FIG. 6



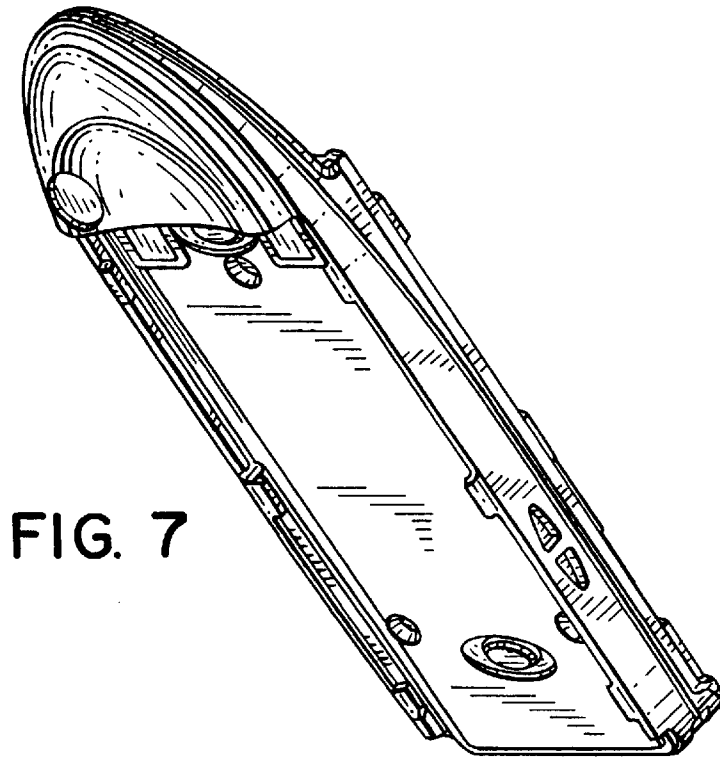


FIG. 7

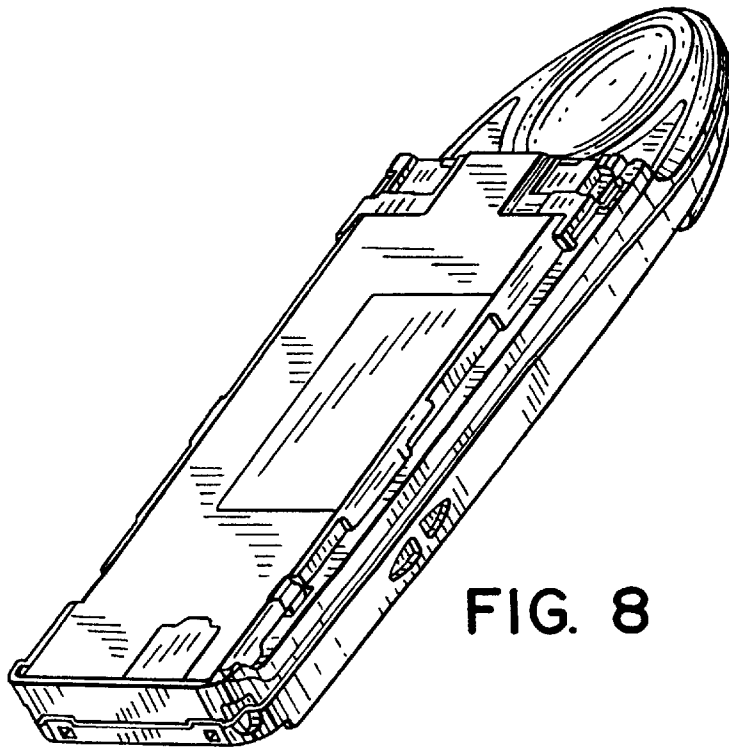


FIG. 8