



US00D926714S

(12) **United States Design Patent**
Wilcox et al.

(10) **Patent No.:** **US D926,714 S**
(45) **Date of Patent:** **** Aug. 3, 2021**

- (54) **LIGHT EMITTING DIODE PACKAGE**
- (71) Applicant: **Cree, Inc.**, Durham, NC (US)
- (72) Inventors: **Robert Wilcox**, Rolesville, NC (US);
Colin Blakely, Raleigh, NC (US)
- (73) Assignee: **CreeLED, Inc.**, Newark, CA (US)
- (**) Term: **15 Years**
- (21) Appl. No.: **29/711,302**
- (22) Filed: **Oct. 30, 2019**
- (51) **LOC (13) Cl.** **13-03**
- (52) **U.S. Cl.** **D13/180**
USPC **D13/180**
- (58) **Field of Classification Search**
USPC D13/180; D26/1
CPC ... H01L 25/167; H01L 25/0753; H01L 27/15;
H01L 27/156; H01L 31/02; H01L 33/00;
H01L 33/04; H01L 33/08; H01L 33/10;
H01L 33/20; H01L 33/38; H01L 33/42;
H01L 33/48; H01L 33/483; H01L 33/486
See application file for complete search history.

D749,051 S *	2/2016	Clark	D13/180
D753,612 S *	4/2016	Hussell	D13/180
9,349,929 B2 *	5/2016	Clark	F21V 21/00
D790,486 S *	6/2017	Reiherzer	D13/180
D826,871 S *	8/2018	Reiherzer	D13/180
10,043,960 B2 *	8/2018	Andrews	H01L 33/60
10,439,112 B2 *	10/2019	Clark	H01L 33/641
2009/0108281 A1 *	4/2009	Keller	H01L 33/486 257/98
2010/0252851 A1 *	10/2010	Emerson	H01L 33/62 257/98
2011/0062482 A1 *	3/2011	Solomensky	H01L 25/0753 257/99
2011/0220920 A1 *	9/2011	Collins	H01L 33/504 257/88
2011/0291154 A1 *	12/2011	Noichi	H01L 33/486 257/99
2012/0305949 A1 *	12/2012	Donofrio	H01L 25/0753 257/88

(Continued)

Primary Examiner — Selina Sikder
(74) *Attorney, Agent, or Firm* — Withrow & Terranova, PLLC

(57) **CLAIM**

The ornamental design for a light emitting diode package, as shown and described.

(56) **References Cited**

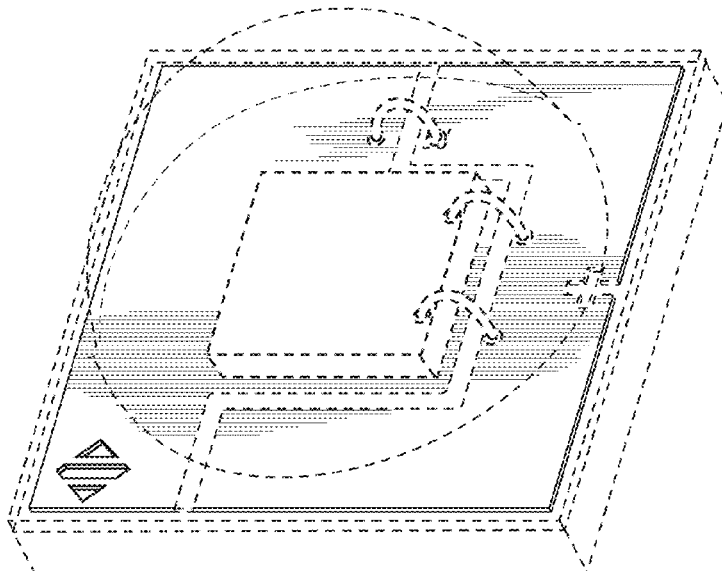
U.S. PATENT DOCUMENTS

D615,504 S *	5/2010	Keller	D13/180
D628,966 S *	12/2010	Kuwaharada	D13/180
D631,020 S *	1/2011	Chuang	D13/180
D650,343 S *	12/2011	Andrews	D13/180
D658,139 S *	4/2012	Andrews	D13/180
D660,257 S *	5/2012	Andrews	D13/180
D674,758 S *	1/2013	Wu	D13/180
D675,169 S *	1/2013	Chou	D13/180
D689,209 S *	9/2013	Donofrio	D26/1
D689,210 S *	9/2013	Donofrio	D26/1
D709,464 S	7/2014	Abare et al.		
D711,841 S *	8/2014	Britt	D13/180
D713,804 S *	9/2014	Britt	D13/180

DESCRIPTION

FIG. 1 is a top perspective view of a light emitting diode package showing our design; FIG. 2 is a top view thereof; FIG. 3 is a bottom view thereof; FIG. 4 is a side view thereof; FIG. 5 is an opposing side view thereof; FIG. 6 is an end view thereof; and, FIG. 7 is an opposing end view thereof. The dashed broken lines shown in the drawings depict portions of the light emitting diode package that form no part of the claimed design.

1 Claim, 4 Drawing Sheets



(56)

References Cited

U.S. PATENT DOCUMENTS

2013/0092960 A1* 4/2013 Wilcox H01L 33/08
257/88
2013/0105835 A1* 5/2013 Wu H01L 25/0753
257/89

* cited by examiner

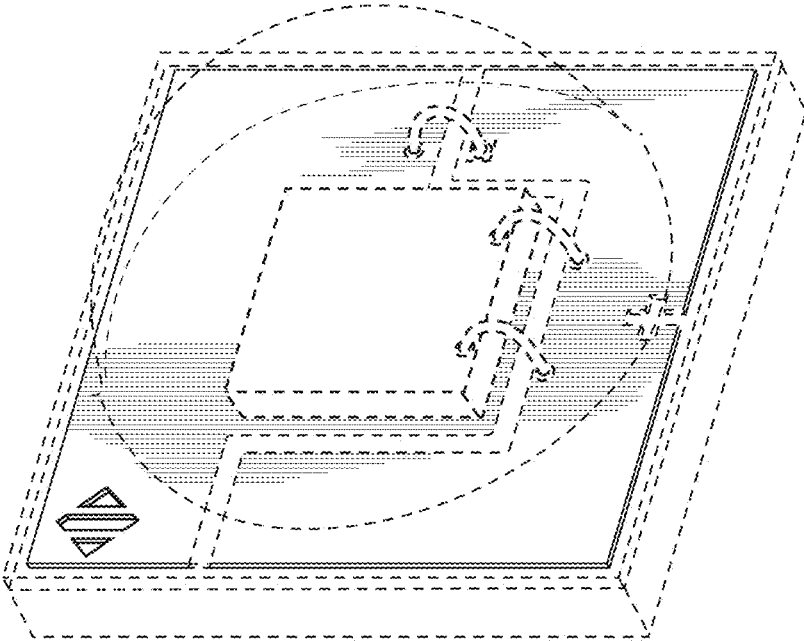


FIG. 1

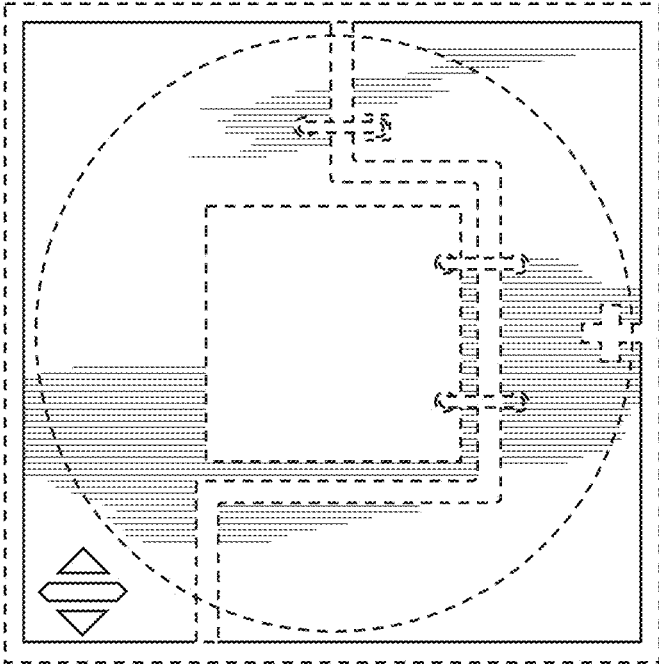


FIG. 2

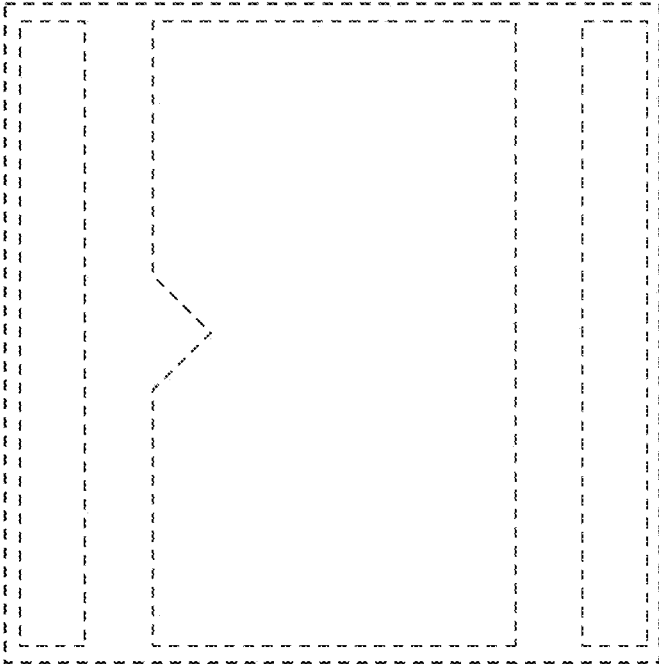


FIG. 3

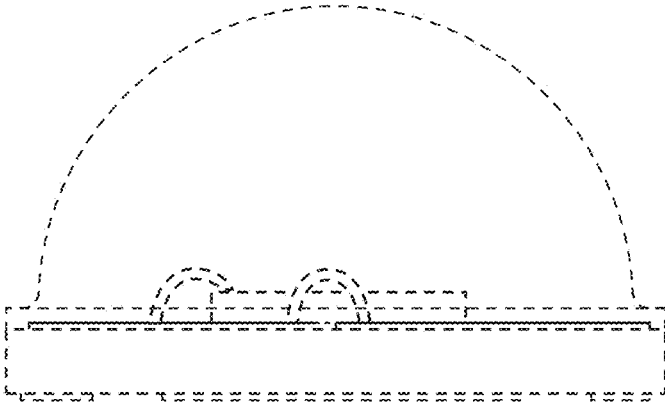


FIG. 4

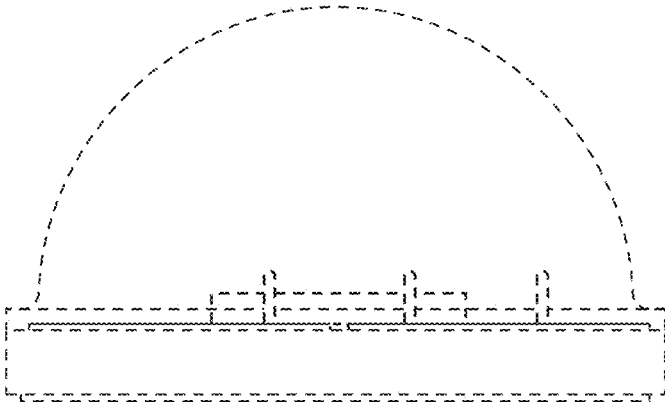


FIG. 5

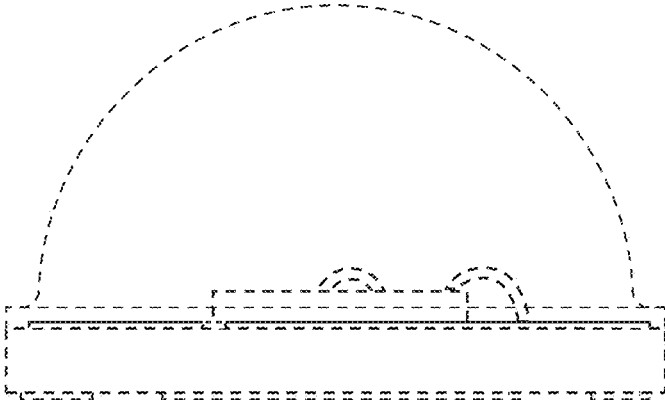


FIG. 6

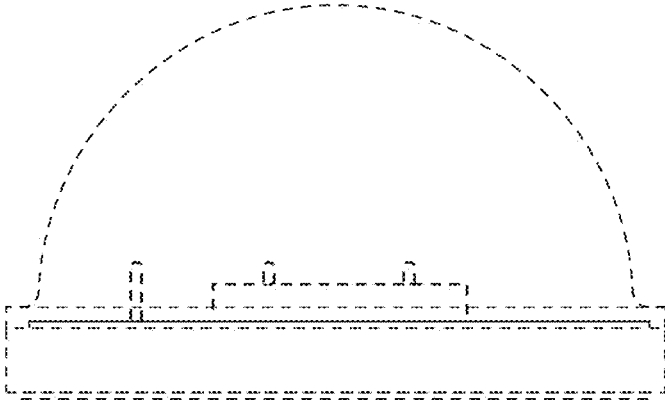


FIG. 7