



US00D994185S

(12) **United States Design Patent**
Kazi

(10) **Patent No.:** **US D994,185 S**

(45) **Date of Patent:** **** Aug. 1, 2023**

(54) **LAMP**

(71) Applicant: **Ashfaq Kazi**, Rancho Cucamonga, CA (US)

(72) Inventor: **Ashfaq Kazi**, Rancho Cucamonga, CA (US)

(**) Term: **15 Years**

(21) Appl. No.: **29/747,846**

(22) Filed: **Aug. 25, 2020**

(51) **LOC (14) Cl.** **26-04**

(52) **U.S. Cl.** **D26/76**
USPC

(58) **Field of Classification Search**
USPC D26/1, 24, 72, 74, 75, 76, 78, 118, 119, D26/120, 121, 122, 138, 141
CPC F21L 2/00; F21L 4/00; F21L 4/02; F21L 4/025; F21L 4/027; F21L 14/00; F21S 2/00; F21S 8/00; F21S 8/03; F21S 8/033; F21S 8/035; F21S 6/002; F21S 6/004; F21S 8/036; F21S 8/037; F21S 9/00; F21S 9/02; F21V 21/10; F21V 21/108; F21W 2121/008; H01K 7/00; H01K 7/02; A01G 7/045

See application file for complete search history.

(56) **References Cited**

U.S. PATENT DOCUMENTS

D115,014 S * 5/1939 Waltman 362/223
D119,792 S * 4/1940 Pieper D26/71
D123,761 S * 12/1940 Pieper D26/24
D315,694 S * 3/1991 Thorp D10/114.2
D379,545 S * 5/1997 Houghton D20/39
6,488,387 B2 * 12/2002 Wardenburg F21V 21/18
362/403
D544,626 S * 6/2007 Hargreaves D26/78
D544,983 S * 6/2007 Hargreaves D26/78
D574,542 S * 8/2008 Engel D26/76

D604,002 S * 11/2009 Santoro D26/76
D786,471 S * 5/2017 Snell F21V 7/005
D26/74
D844,211 S * 3/2019 Straus F21V 21/18
D26/74
2015/0098215 A1 * 4/2015 Torabifard F21V 7/005
362/217.07

FOREIGN PATENT DOCUMENTS

JP D1390401 * 6/2010

OTHER PUBLICATIONS

Amazon, "Lithonia Lighting 1'x4' T8 Flanged Troffer", first available Feb. 27, 2007. (<https://www.amazon.com/Lithonia-Flanged-Fluorescent-Troffer-SP8F232A12120GE/dp/B000NTZ9UO>) (Year: 2007).*

(Continued)

Primary Examiner — Leanne Was-Englehart
Assistant Examiner — Justin A Johnson
(74) *Attorney, Agent, or Firm* — Raymond Y. Chan;
David and Raymond Patent Firm

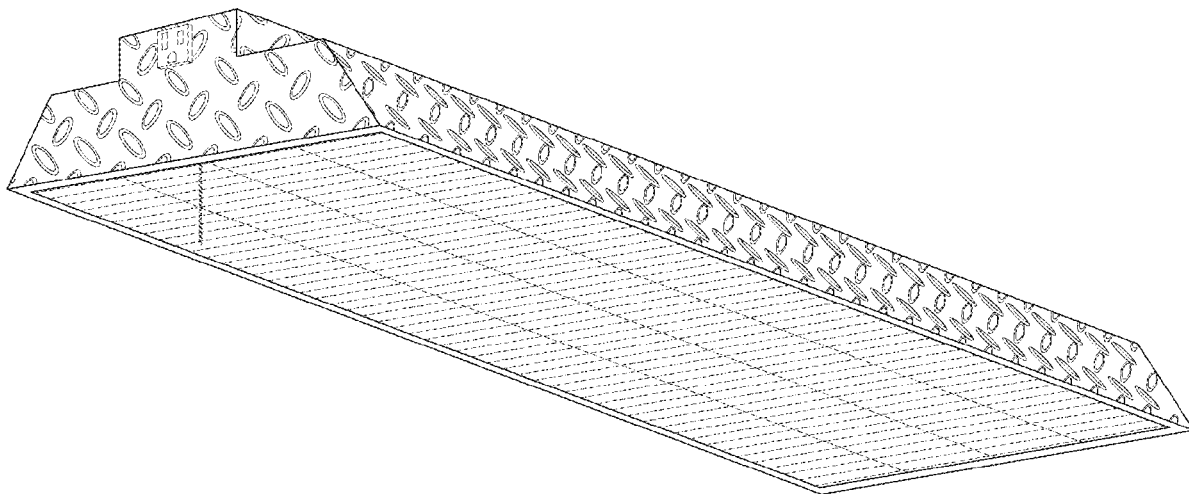
(57) **CLAIM**

The ornamental design for a lamp, as shown and described.

DESCRIPTION

FIG. 1 is a perspective view of a lamp showing my new design;
FIG. 2 is a front view thereof;
FIG. 3 is a rear view thereof;
FIG. 4 is a left view thereof;
FIG. 5 is a right view thereof;
FIG. 6 is a bottom view thereof; and,
FIG. 7 is a top view thereof.
The broken lines represent portions of the article that no form part of the claimed design.

1 Claim, 6 Drawing Sheets



(56)

References Cited

OTHER PUBLICATIONS

Amazon, "AntLux 4FT LED Linear Integrated Bay Light Fixture", first available Dec. 25, 2018. (<https://www.amazon.com/AntLux-Linear-Integrated-Light-Fixture/dp/B07MD8KZJ4/?th=1>) (Year: 2018).*

Amazon, "Konlite 2 Pack 2 FT Linear LED High Bay Ceiling Light", first available Dec. 13, 2020. (<https://www.amazon.com/dp/B08DDF5SYR?th=1>) (Year: 2020).*

Amazon, "Eiko Global 1 Lamp 321 Watts LED High Bay Fixture", first available Oct. 7, 2022. (https://www.amazon.com/dp/B0BGPF38HN/ref=sbl_dp_lighting-ceiling-lights_B01MEDCBBA_0) (Year: 2022).*

* cited by examiner

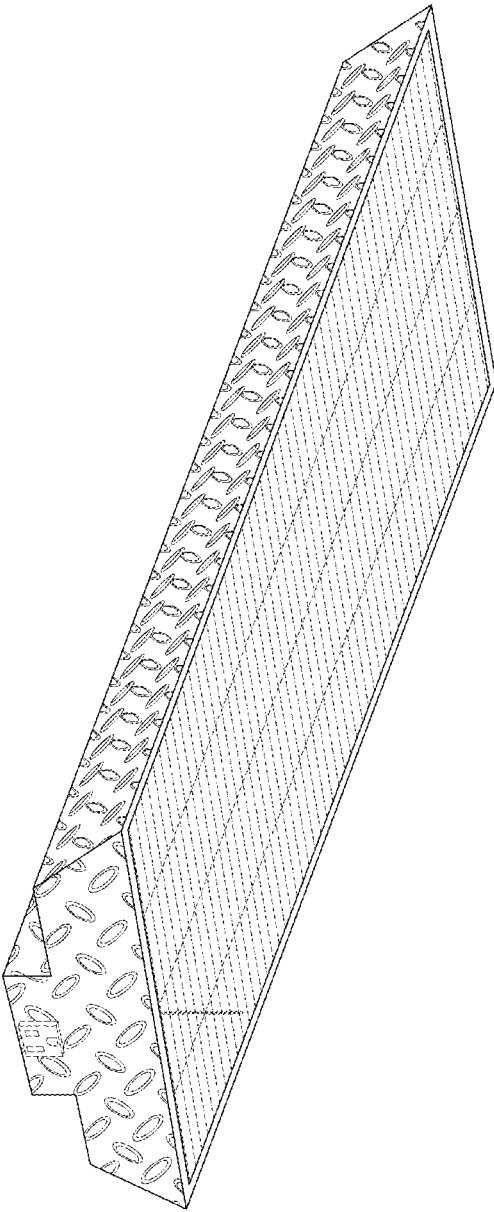


FIG.1

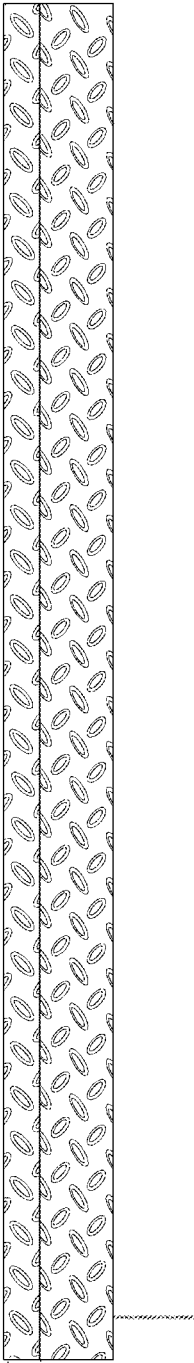


FIG.2

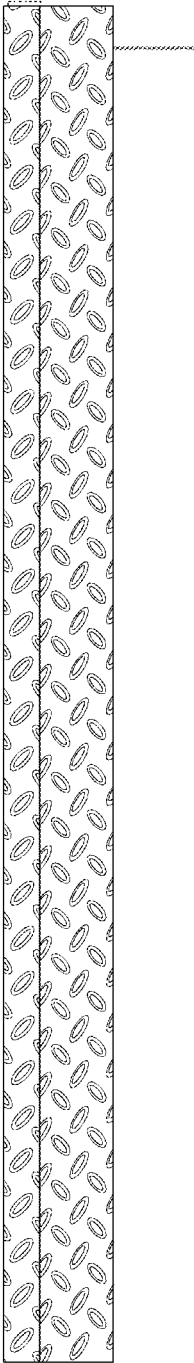


FIG.3

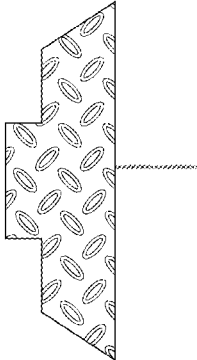


FIG. 4

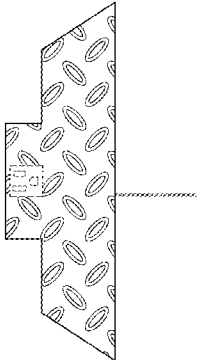


FIG. 5

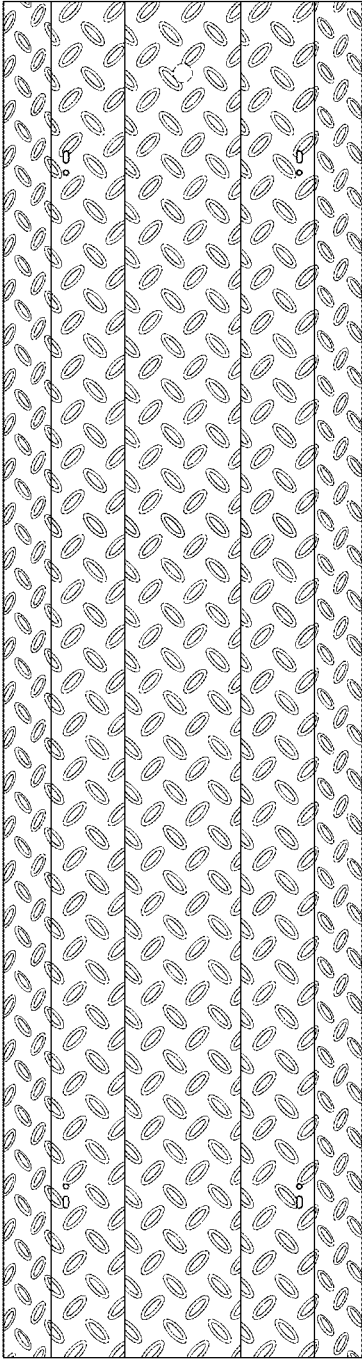


FIG.6

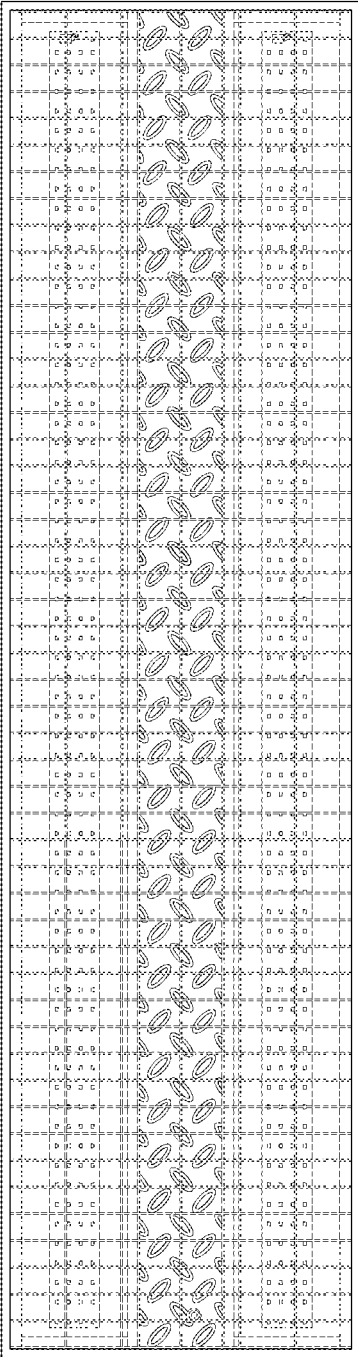


FIG.7