



US00D971675S

(12) **United States Design Patent** (10) **Patent No.:** **US D971,675 S**  
**O'Connor et al.** (45) **Date of Patent:** **\*\* \*Dec. 6, 2022**

(54) **DECORATIVE-FLAME BURNER**  
(71) Applicant: **Warming Trends, LLC**, Englewood, CO (US)  
(72) Inventors: **Kevin O'Connor**, Parker, CO (US); **Timothy Flaherty**, Highlands Ranch, CO (US); **Voni Flaherty**, Highlands Ranch, CO (US); **Bryan Small**, Littleton, CO (US)

(73) Assignee: **Warming Trends, LLC**, Englewood, CO (US)

(\* ) Notice: This patent is subject to a terminal disclaimer.

(\*\*) Term: **15 Years**

(21) Appl. No.: **29/727,303**

(22) Filed: **Mar. 10, 2020**

(51) **LOC (13) Cl.** ..... **07-02**

(52) **U.S. Cl.** ..... **D7/407**

(58) **Field of Classification Search**

USPC ..... D7/332, 334, 402, 406, 407, 409; D23/403, 404, 409, 415, 416, 418

CPC ..... F23C 1/02; F23C 1/04; F23C 1/08; F23C 3/002; F23C 5/02; F24B 3/00; B23K 9/122; F23D 14/10; F23D 14/02

See application file for complete search history.

(56) **References Cited**

**U.S. PATENT DOCUMENTS**

1,342,617 A \* 6/1920 Barber ..... F23D 14/10  
239/543  
1,381,539 A \* 6/1921 Caleff ..... F23D 14/10  
431/283  
1,533,909 A \* 4/1925 Ferguson ..... F23D 14/10  
239/553

1,539,420 A \* 5/1925 Kerr ..... F23D 14/04  
431/286  
1,596,452 A \* 8/1926 Reeves ..... F23D 14/10  
239/553  
1,818,783 A 8/1931 Beam et al.  
1,820,493 A \* 8/1931 Reagan ..... F23D 14/10  
431/355

(Continued)

**FOREIGN PATENT DOCUMENTS**

CA 169163 \* 1/2017  
CN 305185942 \* 5/2019 ..... B23K 31/02  
(Continued)

**OTHER PUBLICATIONS**

“Tirrell Bunsen Burner,” May 19, 2015, amazon.com, site visited Jun. 2, 2022, URL: <https://www.amazon.com/Tirrell-Bunsen-Burner-LPG-StabiliBase/dp/B00XWPP3AC> (Year: 2015).\*

(Continued)

*Primary Examiner* — Eric L Goodman

*Assistant Examiner* — Sarah L Smith

(74) *Attorney, Agent, or Firm* — Bejin Bieneman PLC

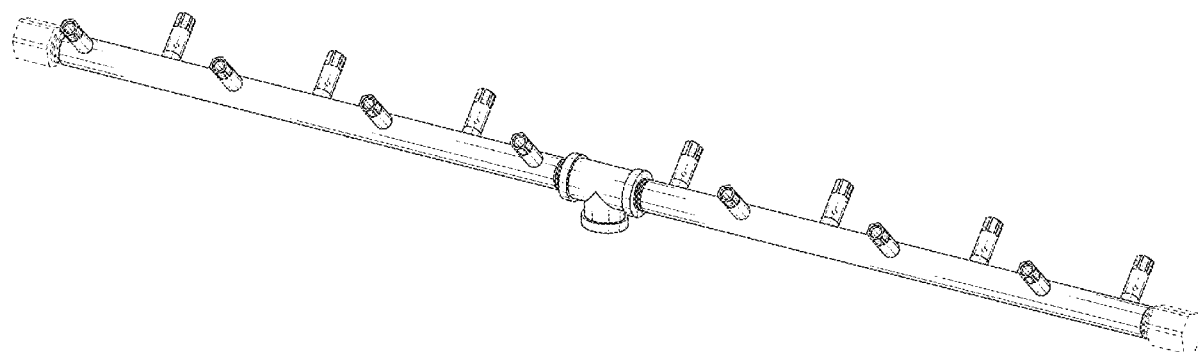
(57) **CLAIM**

We claim the ornamental design for a decorative-flame burner, as shown and described.

**DESCRIPTION**

FIG. 1 is a perspective view of a decorative-flame burner. FIG. 2 is a front view of the decorative-flame burner. FIG. 3 is a rear view of the decorative-flame burner. FIG. 4 is a left-side view of the decorative-flame burner. FIG. 5 is a right-side view of the decorative-flame burner. FIG. 6 is a top view of the decorative-flame burner; and, FIG. 7 is a bottom view of the decorative-flame burner. The broken lines in the Figures are directed to unclaimed subject matter of the decorative-flame burner, and the broken lines form no part of the claimed design.

**1 Claim, 3 Drawing Sheets**



(56)

References Cited

U.S. PATENT DOCUMENTS

1,952,356 A \* 3/1934 Briggs ..... F23D 14/10  
239/550

D105,171 S 6/1937 Hansen

2,447,925 A \* 8/1948 Vorbusch ..... F24C 15/08  
246/163

2,547,276 A 4/1951 Marsh

2,559,527 A 7/1951 Williams

2,647,303 A 8/1953 Zihlerl

3,038,064 A 6/1962 Gieb

3,270,967 A 9/1966 Westerman et al.

3,279,705 A 10/1966 Stiefel

3,582,250 A 6/1971 Chatfield

3,671,175 A \* 6/1972 Campbell ..... F24C 3/006  
126/92 R

3,760,790 A 9/1973 Hodges

4,061,133 A 12/1977 Swain

4,383,820 A 5/1983 Camacho

4,686,957 A 8/1987 Koziol

4,786,247 A 11/1988 Bhattacharjee

4,875,464 A 10/1989 Shimek et al.

5,000,162 A 3/1991 Shimek et al.

5,033,455 A \* 7/1991 Eiklor ..... F24B 1/193  
126/540

5,081,981 A 1/1992 Beal

5,556,550 A 9/1996 Fyffe

5,636,980 A \* 6/1997 Young ..... F23D 11/102  
431/278

5,655,513 A 8/1997 Whitfield

5,901,697 A 5/1999 Marshall et al.

5,974,917 A \* 11/1999 Way ..... B23K 9/26  
81/124.1

6,269,809 B1 8/2001 Fleming

6,354,831 B1 3/2002 Wilk, Jr. et al.

6,796,302 B2 9/2004 Butler

7,479,008 B2 1/2009 Thomas

7,488,171 B2 2/2009 St. Charles

7,886,736 B2 \* 2/2011 Eiklor ..... F24C 3/006  
126/540

8,033,822 B2 10/2011 Junkins

9,125,516 B2 9/2015 Adkins

D759,137 S 6/2016 Hassan

9,829,195 B2 11/2017 Deng

10,571,117 B1 \* 2/2020 Stone ..... F23C 5/08

2003/0209530 A1 11/2003 Stuart

2006/0088794 A1 4/2006 Purcell

2007/0006528 A1 1/2007 Walt et al.

2007/0056945 A1 3/2007 Hammen

2007/0128562 A1 6/2007 Thomas

2007/0207429 A1 9/2007 Barker

2008/0308645 A1 12/2008 Laine

2009/0205631 A1 \* 8/2009 Tsung ..... F23D 14/045  
431/264

2011/0006048 A1 1/2011 Ma

2012/0074687 A1 3/2012 Mitchell

2013/0071796 A1 3/2013 Cole et al.

2015/0354814 A1 12/2015 Cody

2016/0053580 A1 2/2016 Briggs

2017/0350600 A1 12/2017 Jenkins

2018/0178306 A1 6/2018 Whipple

2018/0214973 A1 8/2018 Jansma

2018/0354060 A1 12/2018 Sigl

2020/0149738 A1 \* 5/2020 Stone ..... F23D 14/02

2020/0158330 A1 \* 5/2020 Stone ..... F23D 14/02

2020/0292166 A1 \* 9/2020 Stone ..... F23D 14/02

FOREIGN PATENT DOCUMENTS

CN 210118737 U \* 2/2020 ..... F23C 6/02

EP 3712499 A1 \* 9/2020 ..... B23K 31/02

EP 3839350 A1 \* 6/2021 ..... F24B 1/1808

JP 2010054061 A \* 3/2010

JP 2012237487 A \* 12/2012

KR 300732218.0000 \* 3/2014

WO WO-2018229725 A1 \* 12/2018 ..... A47B 13/02

WO WO-2021005316 A1 \* 1/2021 ..... F23C 6/02

WO WO-2021183461 A \* 9/2021

WO WO-2022115393 A1 \* 6/2022

OTHER PUBLICATIONS

“Easy installation of a 160,000 BTU H-Style Crossfire Burner for rectangular gas fire pits,” Sep. 19, 2017, youtube.com, site visited May 31, 2022, URL: <https://www.youtube.com/watch?v=nTu9emieGT0> (Year: 2017).\*

“Crossfire Brass Burners by Warming Trends,” Mar. 22, 2017, youtube.com, site visited May 31, 2022, URL: <https://www.youtube.com/watch?v=Ex-1AbzqI10> (Year: 2017).\*

“Warming Trends Crossfire Brass Burner,” Mar. 28, 2018, amazon.com, site visited May 31, 2022, URL: [https://www.amazon.ca/Warming-Trends-Crossfire-Natural-Opening/dp/B078RSJ9JG/ref=sr\\_1\\_1?crid=19NLZWG7DAWXO&keywords=warming+trends&qid=1654018494&sprefix=warming+trends%2Caps%2C83&sr=8-1](https://www.amazon.ca/Warming-Trends-Crossfire-Natural-Opening/dp/B078RSJ9JG/ref=sr_1_1?crid=19NLZWG7DAWXO&keywords=warming+trends&qid=1654018494&sprefix=warming+trends%2Caps%2C83&sr=8-1) (Year: 2018).\*

“What is the Best Gas Fire Pit Burner?” May 25, 2019, montanafirepits.com, site visited May 31, 2022, URL: <https://montanafirepits.com/what-is-the-best-gas-fire-pit-burner/> (Year: 2019).\*

[https://web.archive.org/web/20111229122931/http://firepitoutfitter.com/productimages/warmingtrends/crossfire\\_close.gif](https://web.archive.org/web/20111229122931/http://firepitoutfitter.com/productimages/warmingtrends/crossfire_close.gif), Dec. 2011 (Year: 2011).

<https://web.archive.org/web/20131130022654/thhp://www.warmng-trends.com/crossfireburners.html>, Nov. 2013 (Year: 2013).

“Chapter 3: Pipe Fittings,” Pipe Drafting and Design, by Roy A. Parish and Robert A. Rhea, 3rd ed., Elsevier/GPP, 2012, pp. 36-37. (Year: 2012).

Fulford, Dr. David; Biogas Stove Design a Short Course; Aug. 1996; used in MSc Course on “Renewable Energy and the Environment” at the University of Reading, UK for and Advanced Biomass Module.

<http://fireflypatio.com/fire-pit-kits.html>; Firefly Patio & Hearth; Jan. 26, 2018.

2013 Warming Trends Catalog; published Oct. 3, 2013; pp. 1-42.

2014 Warming Trends Catalogue; published May 1, 2014; pp. 1-39.

YouTube video screen capture: “Hottest Firepits in the Market,” published Mar. 1, 2012.

YouTube video screen capture: “Hottest Firepits in the Market,” published Feb. 8, 2012.

Bobe Perfect Flame; “Perfect Flame by Bobe Water and Fire,” published 2017; <https://static1.squarespace.com/static/559c077be4b00d04ee713a77/t/5a847e9f652deab3dec30982/1518632613714/Torrent+Brochure+2017.pdf>; retrieved Apr. 23, 2020.

Montana Fire Pits; <https://montanafirepits.com/best-brass-fire-pit-burner/>; Retrieved Aug. 5, 2020 (7 pages).

Extended European Search Report for Application No. EP20154333.7 dated Sep. 2, 2020.

“The Burning Question”, Oct. 2, 2017, YouTube, site visited May 4, 2021: <https://www.youtube.com/watch?v=TwIEPY087Mk> (Year: 2017).

“Uxcell MIG Welding Tips” Nov. 23, 2018, Amazon, site visited May 4, 2021: <https://www.amazon.com/dp/B07KTITG9R/> (Year: 2018).

\* cited by examiner

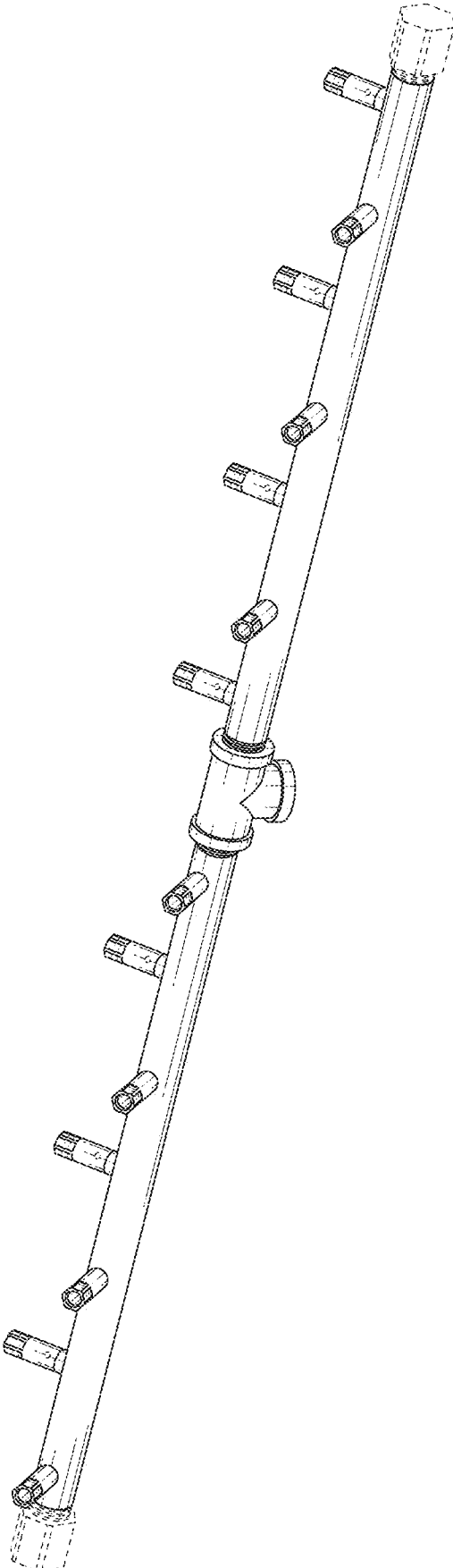


FIG. 1

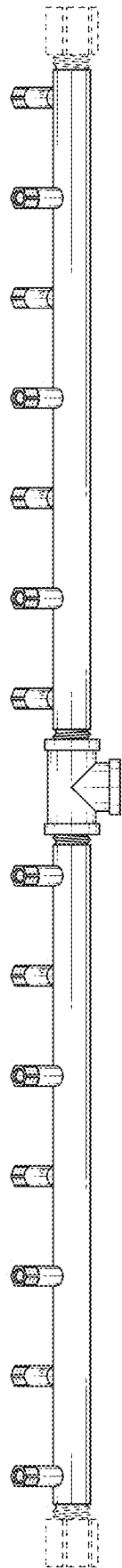


FIG. 2

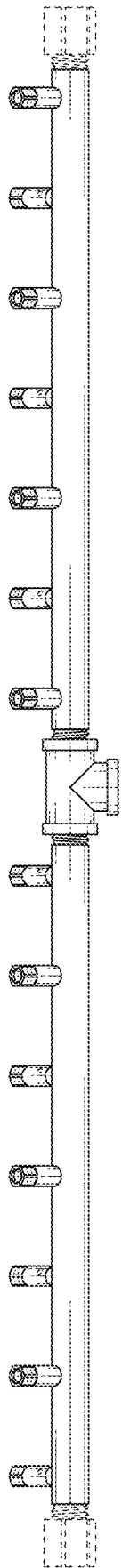


FIG. 3

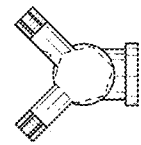


FIG. 5

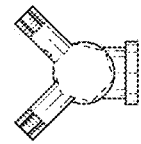


FIG. 4

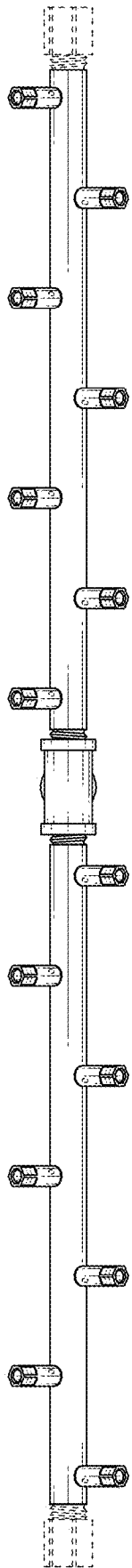


FIG. 6

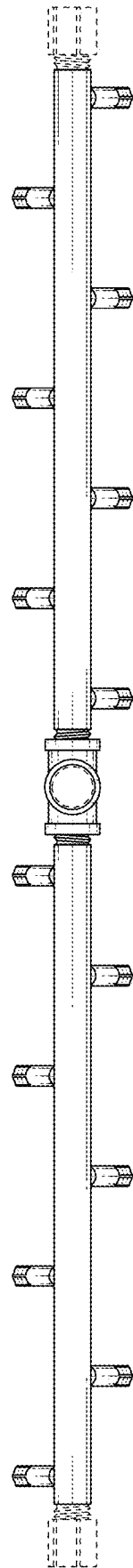


FIG. 7