



US00D810339S

(12) **United States Design Patent** (10) **Patent No.:** **US D810,339 S**
Peng et al. (45) **Date of Patent:** **** Feb. 13, 2018**

(54) **BICYCLE LAMP**

(56) **References Cited**

(71) Applicant: **Dongguan TOP Shine Light Technology Co., Ltd**, Dongguan (CN)

U.S. PATENT DOCUMENTS

(72) Inventors: **Jian Peng**, Dongguan (CN); **Jin Luo**, Dongguan (CN)

D526,079 S * 8/2006 Heun D26/60
D678,562 S * 3/2013 Chan D26/28
D757,311 S * 5/2016 Nagano D26/28
D786,660 S * 5/2017 Cacciabeve D26/60

(73) Assignee: **DONGGUAN TOP SHINE LIGHT TECHNOLOGY CO., LTD**, Dongguan (CN)

* cited by examiner

(**) Term: **15 Years**

Primary Examiner — Brian N. Vinson
(74) *Attorney, Agent, or Firm* — Ming Chow; Sinorica, LLC

(21) Appl. No.: **29/584,942**

(57) **CLAIM**

(22) Filed: **Nov. 18, 2016**

The ornamental design for a bicycle lamp, as shown and described.

(30) **Foreign Application Priority Data**

DESCRIPTION

Jul. 14, 2016 (CN) 2016 3 0322642

(51) **LOC (11) Cl.** **26-03**

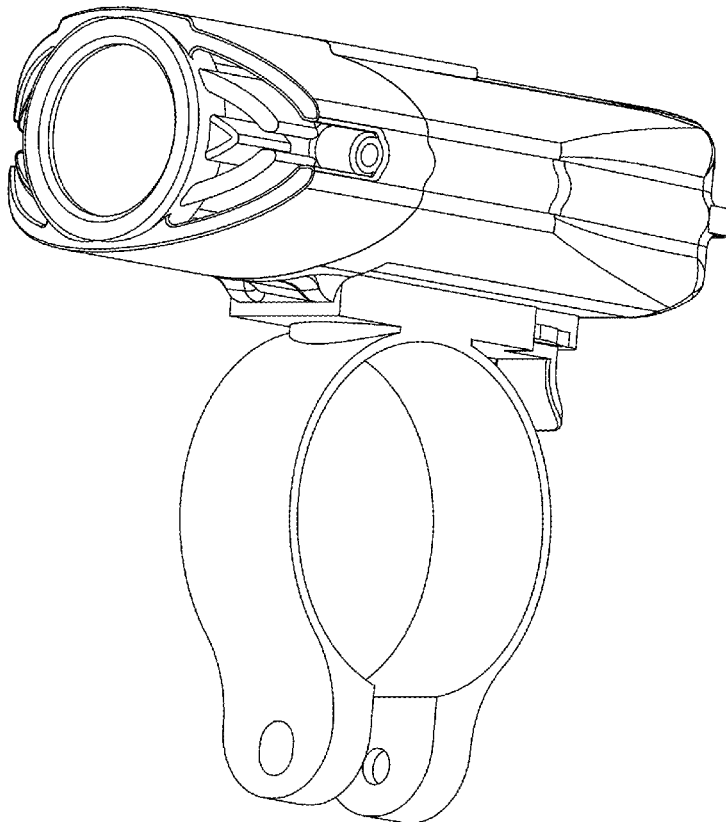
(52) **U.S. Cl.**
USPC **D26/60**

(58) **Field of Classification Search**
USPC D26/28, 60-63
CPC B62J 6/001; B62J 6/02; B62J 6/003; F21S 4/00; F21V 21/00

FIG. 1 is a perspective view of the bicycle lamp showing our new design;
FIG. 2 is a front elevation view thereof;
FIG. 3 is a rear elevation view thereof;
FIG. 4 is left side view thereof;
FIG. 5 is right side view thereof;
FIG. 6 is a top plan view thereof; and,
FIG. 7 is a bottom plan view thereof.

See application file for complete search history.

1 Claim, 7 Drawing Sheets



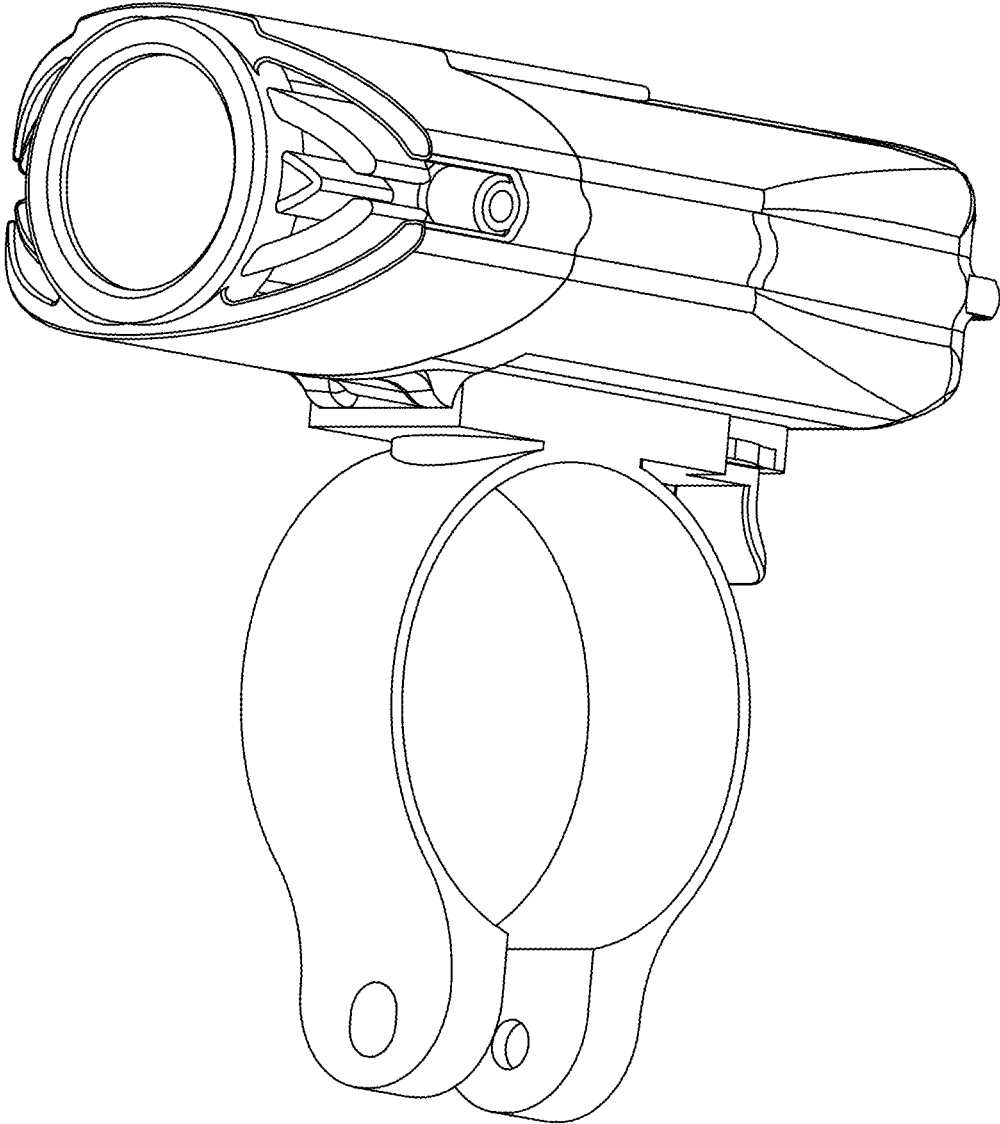


FIG.1

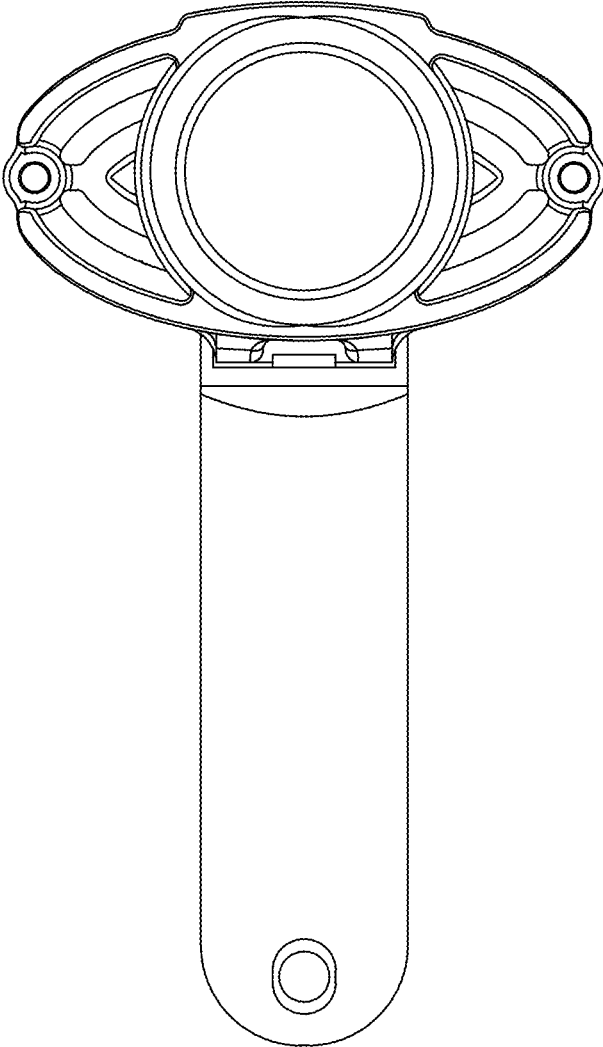


FIG.2

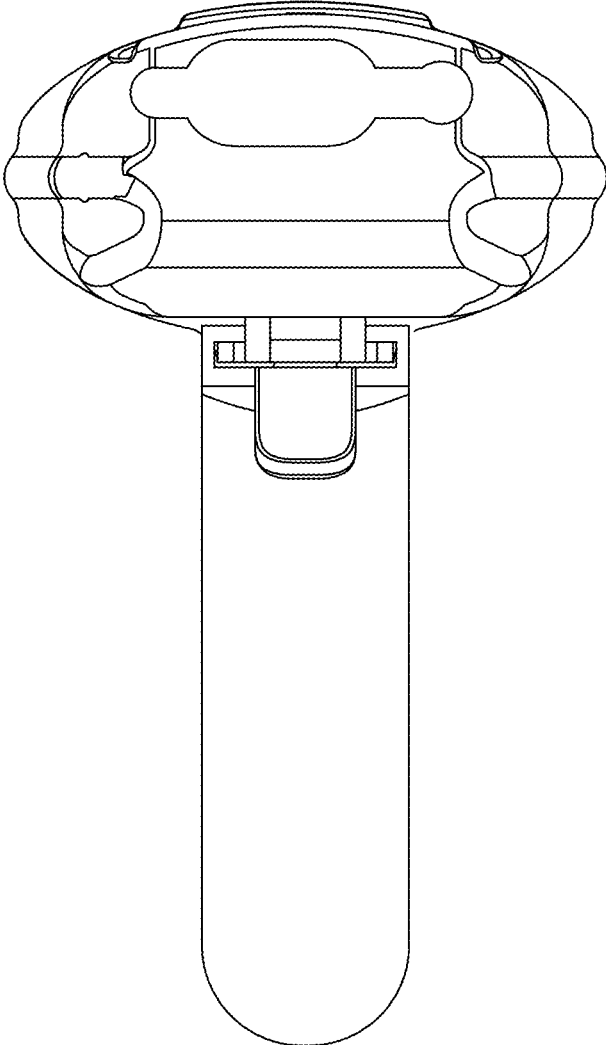


FIG.3

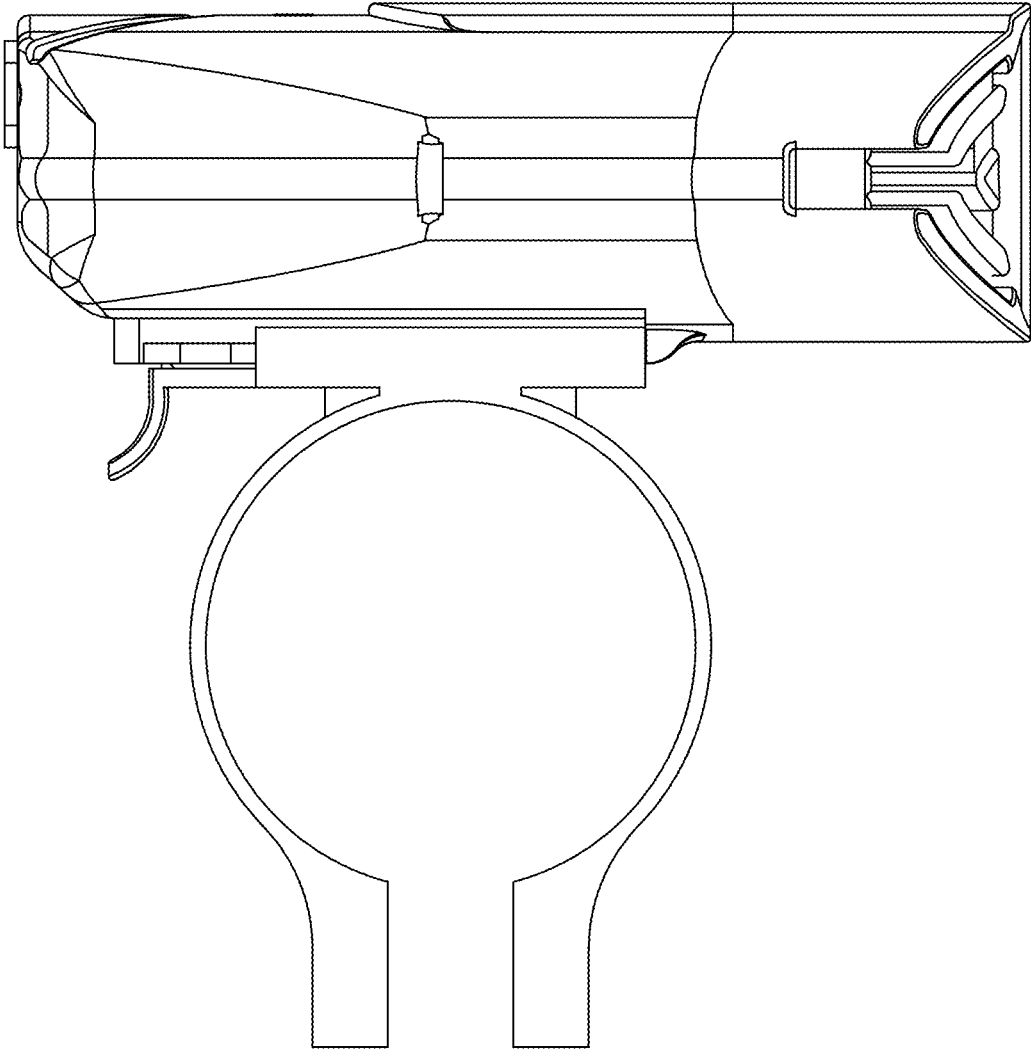


FIG.4

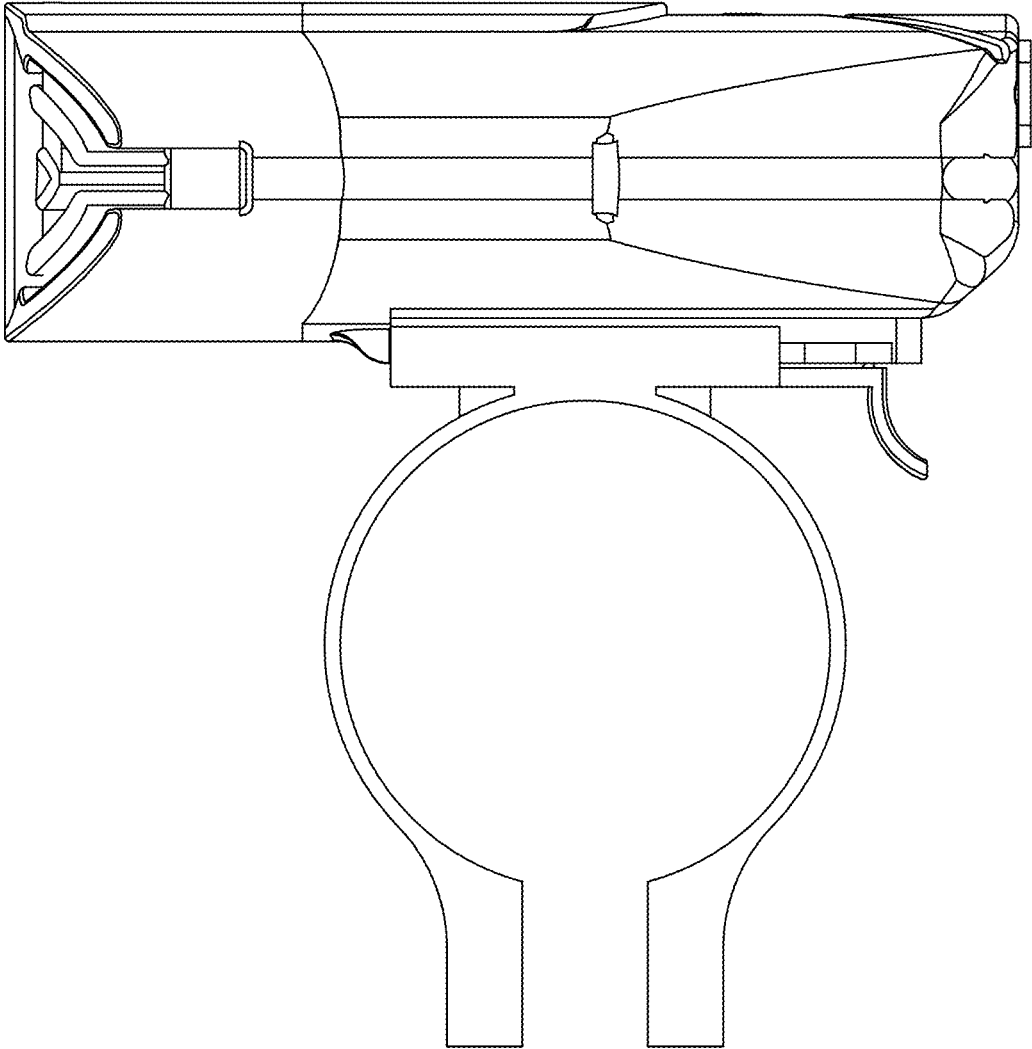


FIG.5

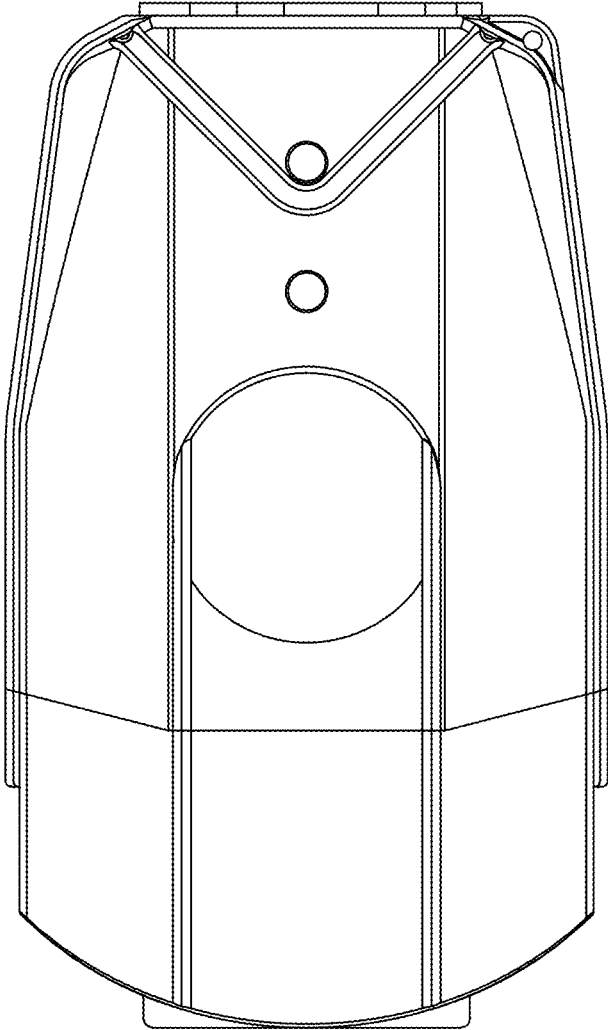


FIG.6

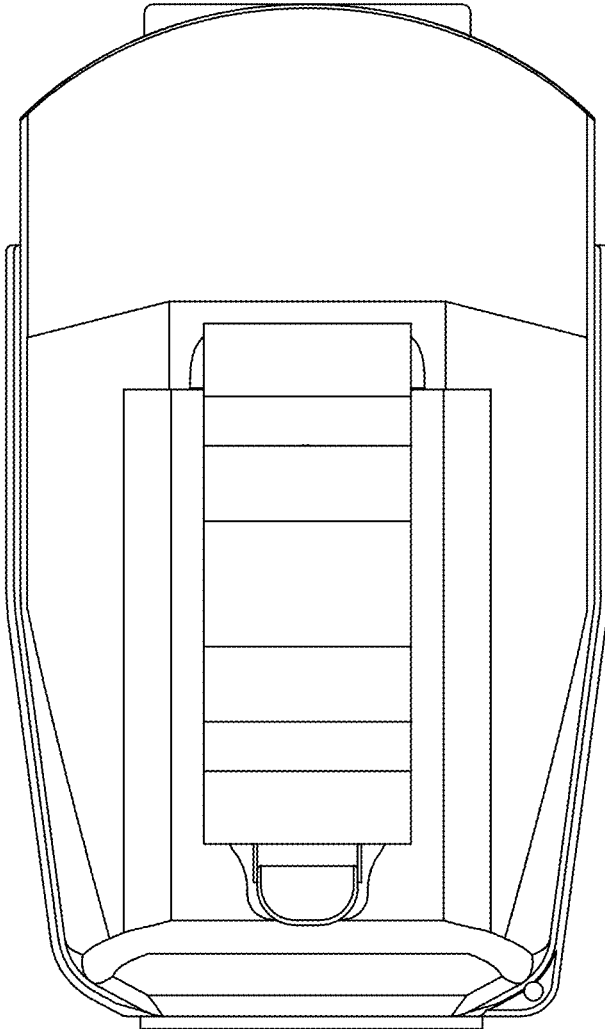


FIG.7