



US00D417537S

United States Patent [19]
Livingston et al.

[11] **Patent Number: Des. 417,537**
[45] **Date of Patent: ** Dec. 7, 1999**

[54] **COMPOSTING DEVICE**

[76] Inventors: **Howard F. Livingston**, 1333
Beaconfield La., Lancaster, Pa. 17601;
R. Michael Peck, 1043 Buchanan Ave.,
Lancaster, Pa. 17603; **Thomas R.
Hecht**, 37 Hemlock Acres Ct.,
Manheim, Pa. 17545

[**] Term: **14 Years**

[21] Appl. No.: **29/100,462**

[22] Filed: **Feb. 11, 1999**

[51] **LOC (6) Cl.** **09-09**

[52] **U.S. Cl.** **D34/5**

[58] **Field of Search** D34/1, 5, 7, 39,
D34/24, 25; 220/908, 910, 911, DIG. 14,
DIG. 12, 9.2, 9.3; D7/332, 334; 53/570;
280/47.26

[56] **References Cited**

U.S. PATENT DOCUMENTS

D. 142,424 9/1945 Kautz D34/1

D. 258,108 2/1981 Cone D7/332
D. 283,391 4/1986 McNeil D7/332
D. 307,434 4/1990 Payack et al. D34/1
D. 357,778 4/1995 Dalgarno D34/1
3,866,936 2/1975 Hedges 280/47.26

Primary Examiner—Susan J. Lucas
Assistant Examiner—Cynthia E. Ramirez
Attorney, Agent, or Firm—Watson Cole Grindle Watson,
P.L.L.C.

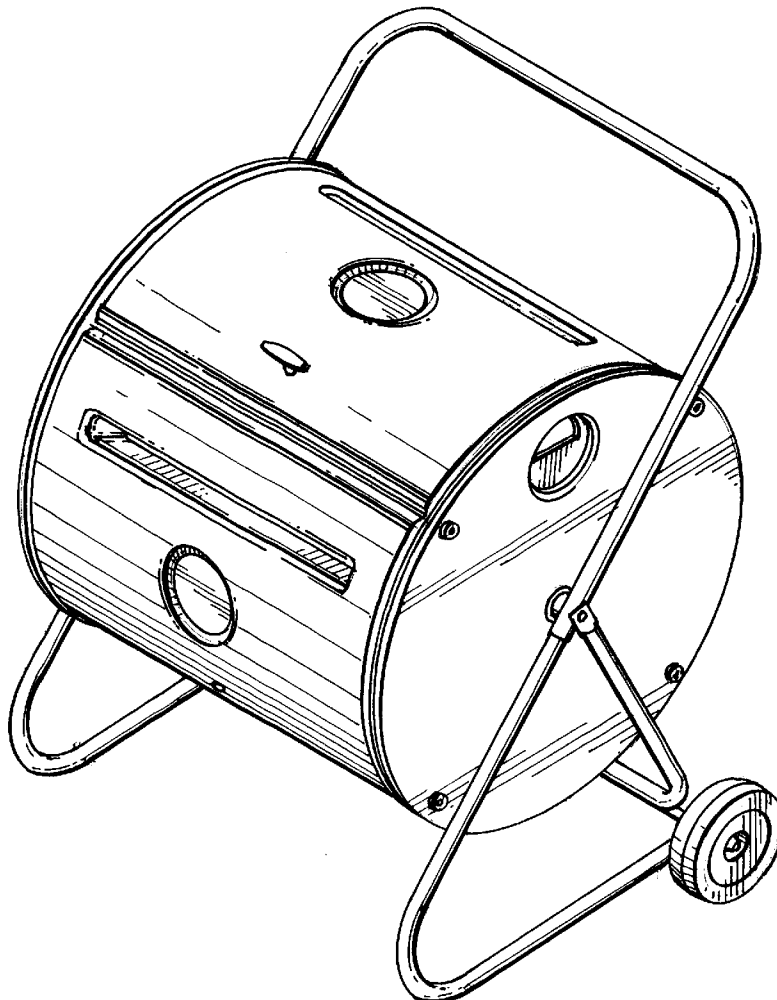
[57] **CLAIM**

The ornamental design for a composting device, as shown and described.

DESCRIPTION

FIG. 1 is a top perspective view of a composting device showing my new design;
FIG. 2 is a side view thereof taken from the left side of FIG. 1, the opposite side view being a mirror image thereof;
FIG. 3 is a front view thereof;
FIG. 4 is a rear view thereof;
FIG. 5 is a top view thereof; and,
FIG. 6 is a bottom view thereof.

1 Claim, 3 Drawing Sheets



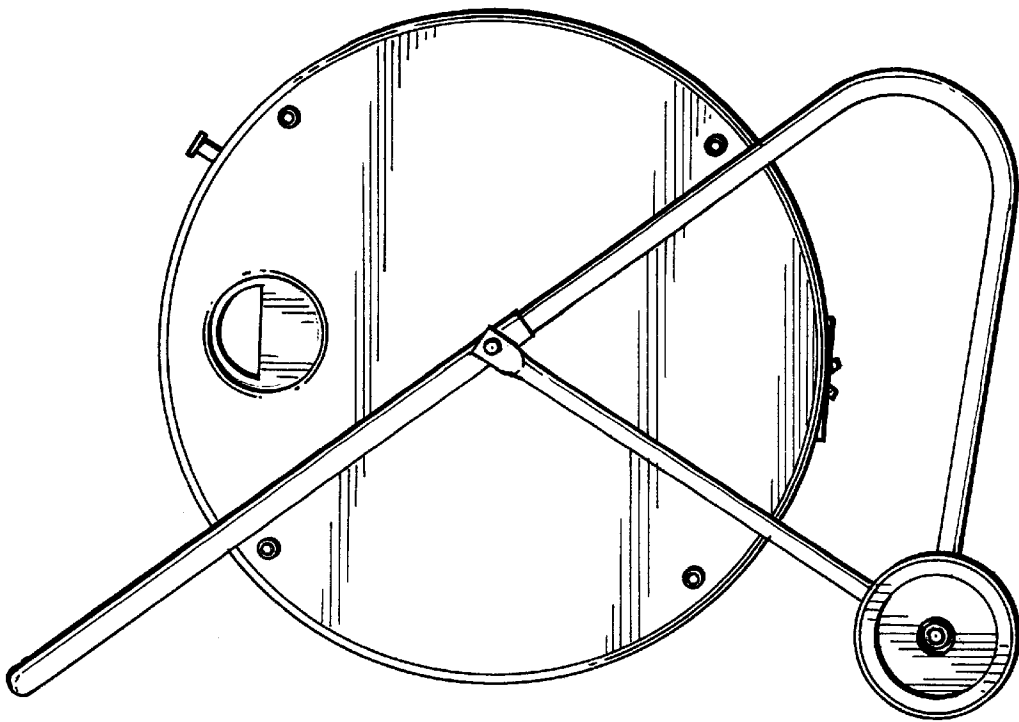


FIG. 2

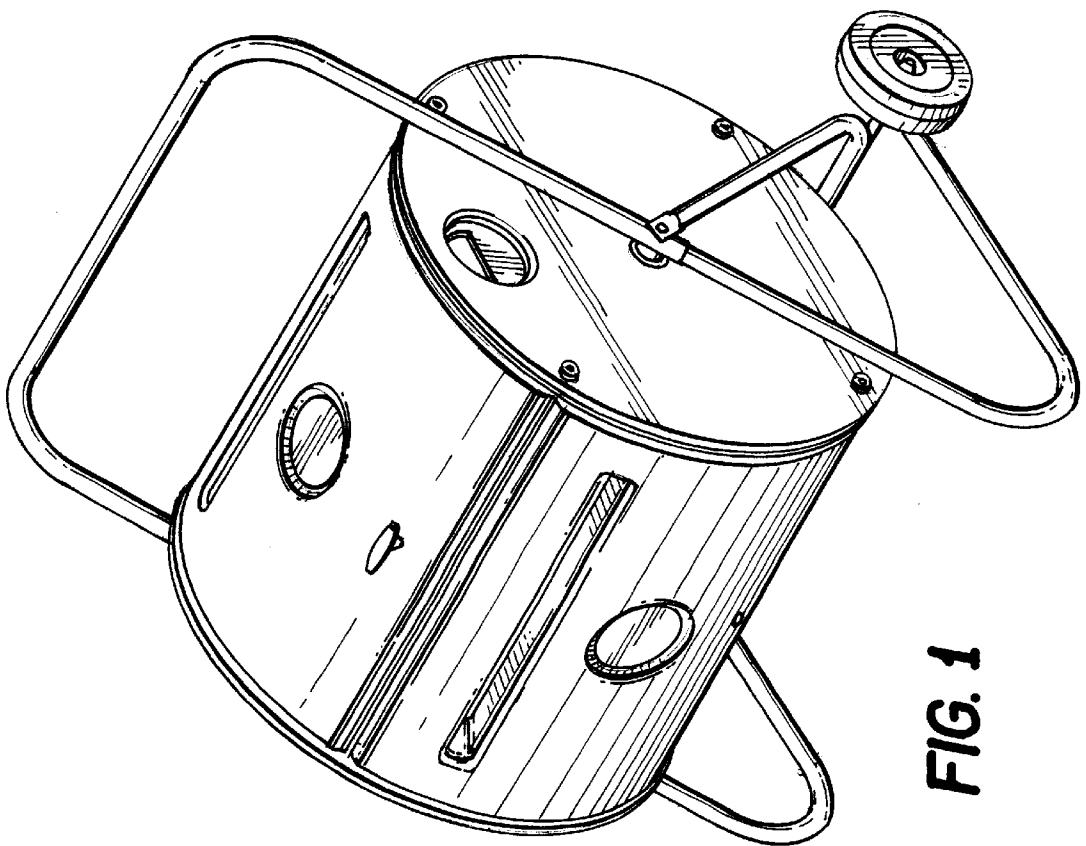


FIG. 1

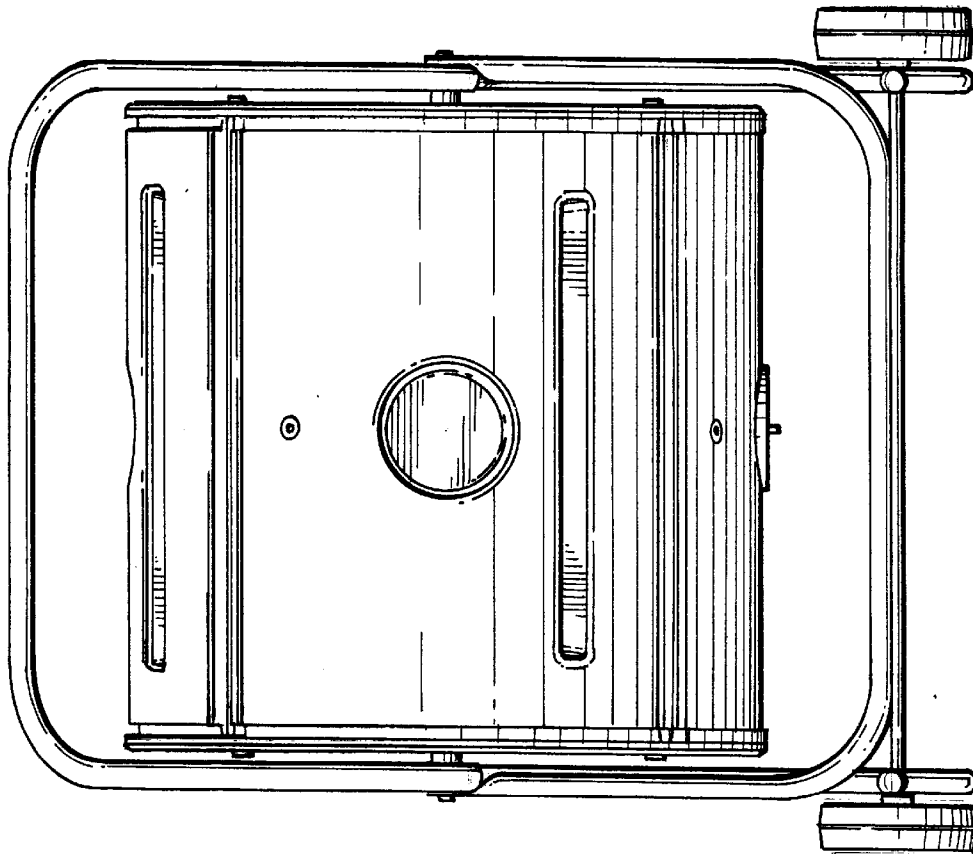


FIG. 4

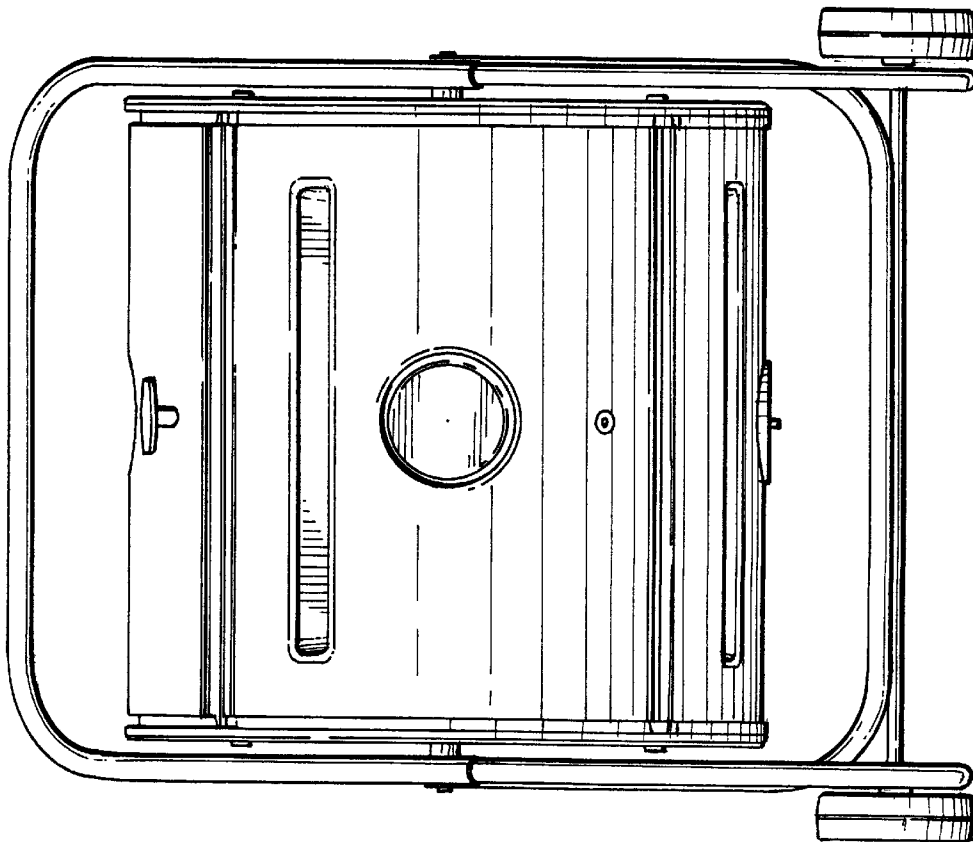


FIG. 3

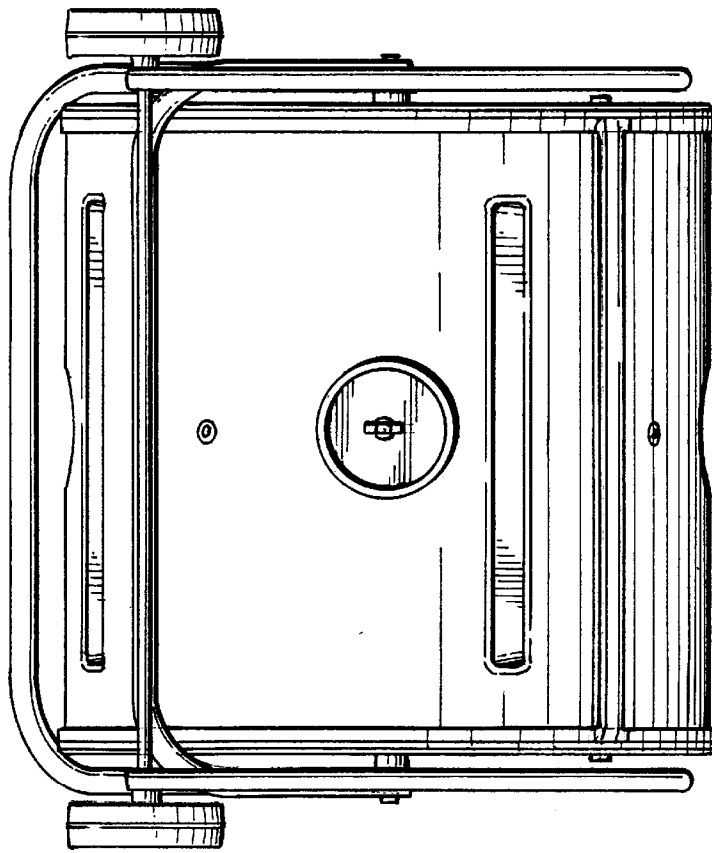


FIG. 6

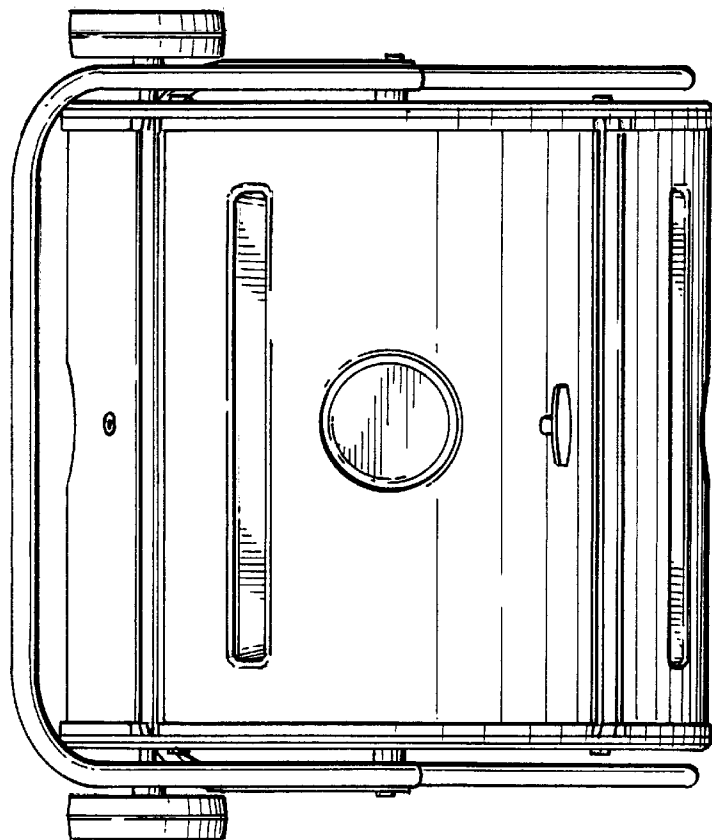


FIG. 5