



US00D381103S

United States Patent [19]
Wan

[11] **Patent Number:** **Des. 381,103**

[45] **Date of Patent:** ****Jul. 15, 1997**

[54] **COMBINED FLASHLIGHT AND
FLUORESCENT LAMP**

D. 311,066	10/1990	Fenne	D26/46
D. 355,040	1/1995	Dalton et al.	D26/46
D. 369,422	4/1996	Dalton et al.	D26/46
2,383,223	8/1945	Snyder	362/184

[75] **Inventor:** **Albert Yiu Kwong Wan, Tsuen Wam,**
Hong Kong

Primary Examiner—Marcus A. Jackson
Attorney, Agent, or Firm—Pollock, Vande Sande & Priddy

[73] **Assignee:** **Fee Tat Holdings (H.K.) Limited,**
Aberdeen, Hong Kong

[**] **Term:** **14 Years**

[57] **CLAIM**

The ornamental design for a combined flashlight and fluorescent lamp, as shown.

[21] **Appl. No.:** **38,302**

[22] **Filed:** **May 3, 1995**

DESCRIPTION

[51] **LOC (6) Cl.** **26-02**

FIG. 1 is a front elevation view of a combined flashlight and fluorescent lamp showing my new design;

[52] **U.S. Cl.** **D26/46**

FIG. 2 is a bottom plan view thereof;

[58] **Field of Search** D26/37-50; 362/157,
362/158, 159, 160, 161, 168, 171, 172,
173, 178, 179, 180, 183, 184, 186, 197,
198, 201, 202, 203, 204, 205, 206, 207,
208

FIG. 3 is a top plan view thereof;

FIG. 4 is a side elevational view thereof, with the opposite side being a mirror image;

FIG. 5 is a rear elevational view thereof; and,

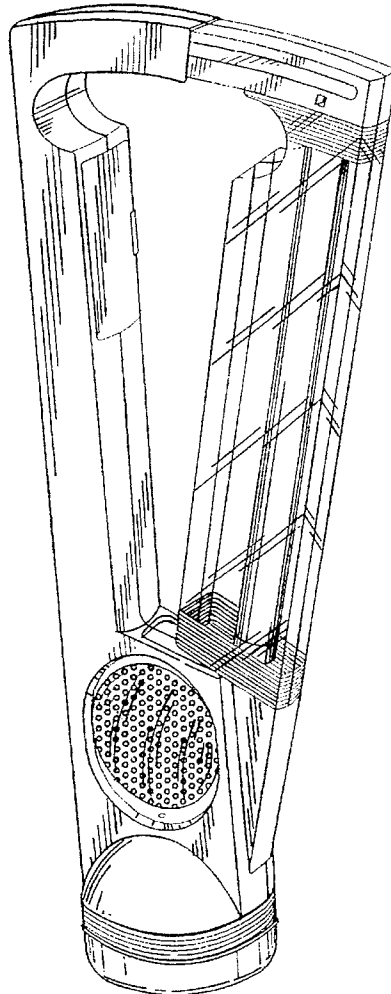
FIG. 6 is an exploded an side perspective view thereof, with the fluorescent lamp portion shown in an alternate position.

[56] **References Cited**

U.S. PATENT DOCUMENTS

D. 298,572 11/1988 Murrell et al. D26/46

1 Claim, 3 Drawing Sheets



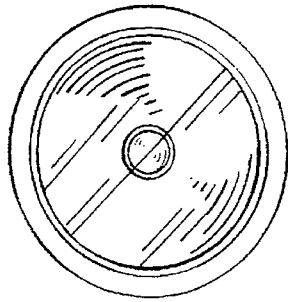


FIG. 1

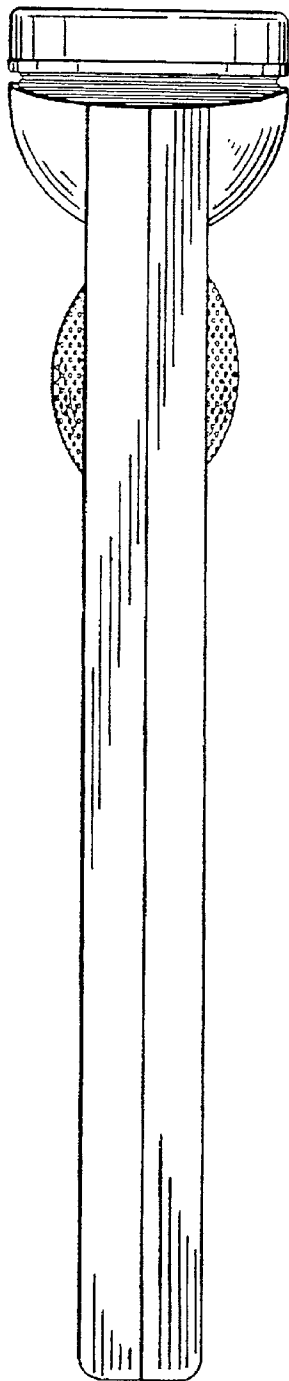


FIG. 2

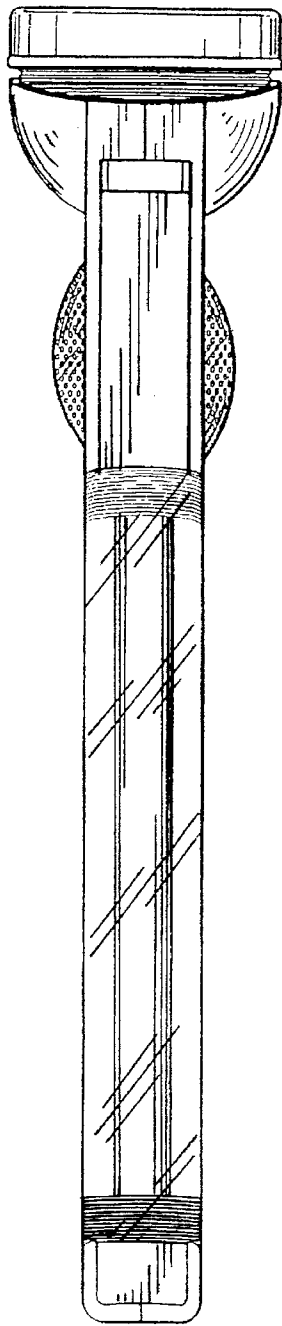


FIG. 3

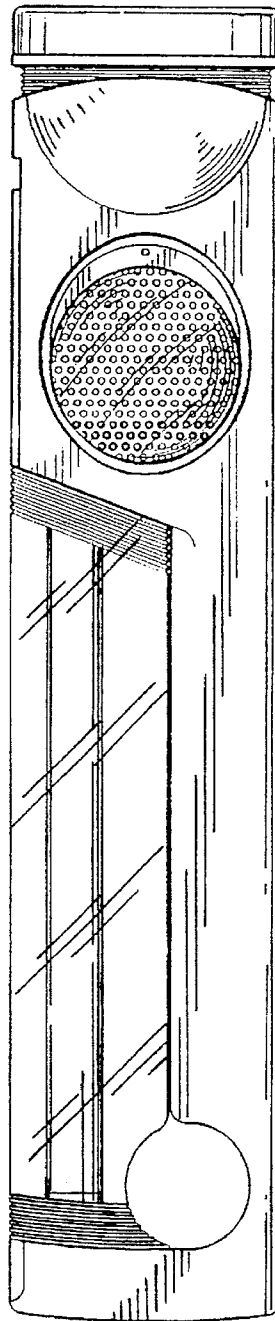


FIG. 4

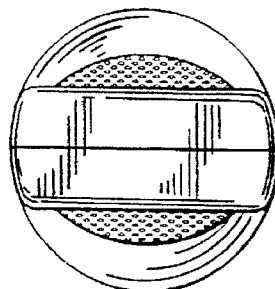


FIG. 5

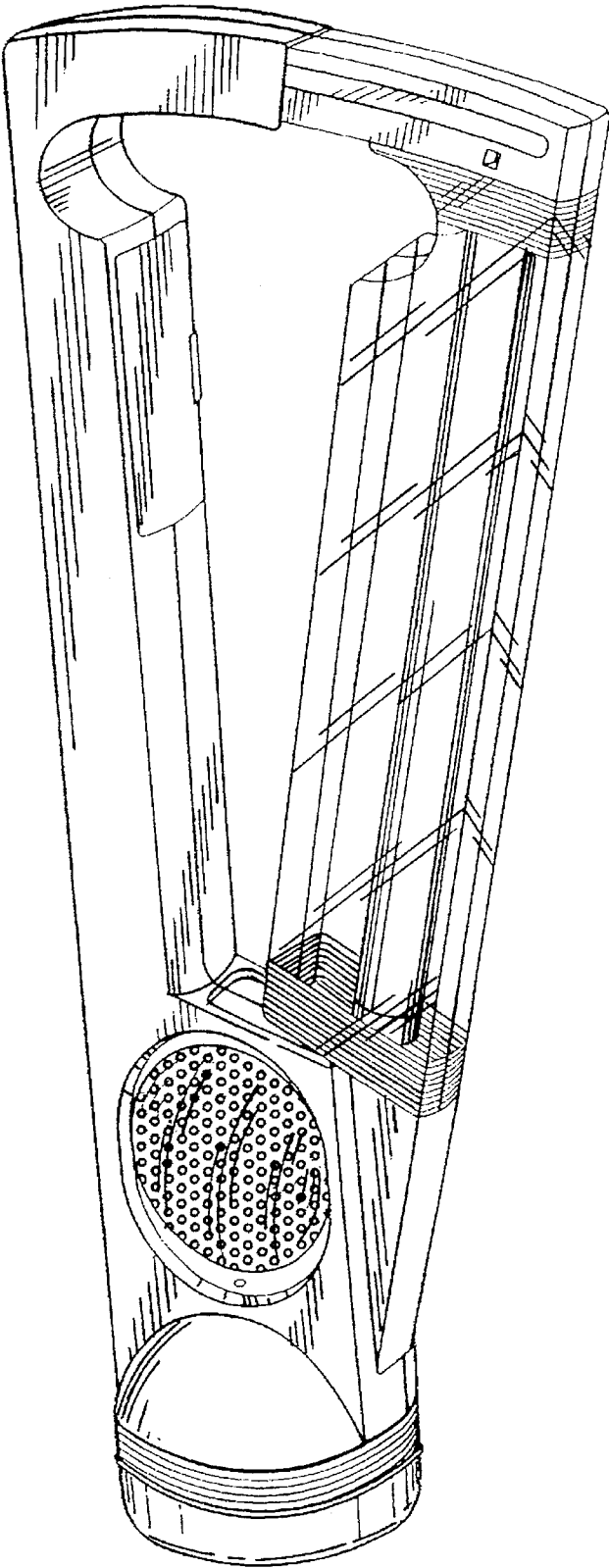


FIG. 6