



US00D911736S

(12) **United States Design Patent**
Lazarini et al.

(10) **Patent No.:** **US D911,736 S**

(45) **Date of Patent:** **** Mar. 2, 2021**

(54) **TISSUE HOLDER**

(71) Applicant: **DELTA FAUCET COMPANY,**
Indianapolis, IN (US)

(72) Inventors: **Alejandra Lazarini,** Carmel, IN (US);
Anthony G. Spangler, Indianapolis, IN (US)

(73) Assignee: **DELTA FAUCET COMPANY,**
Indianapolis, IN (US)

(**) Term: **15 Years**

(21) Appl. No.: **29/715,935**

(22) Filed: **Dec. 5, 2019**

(51) **LOC (13) Cl.** **23-02**

(52) **U.S. Cl.**
USPC **D6/523**

(58) **Field of Classification Search**

USPC D6/523, 546-550, 518-522; 211/13.1,
211/16, 60.1, 100, 86.01, 87.01, 88.1,
211/88.4, 105.1, 105.2, 123, 182, 181.1;
242/570, 290, 595-598; D8/300, 303,
D8/315, 321; 108/28-29; 16/110.1, 412,
16/415; 48/175, 176.1, 251, 302, 309.1
CPC A45F 2005/025; A45F 2005/027; A47K
2010/3253; A47K 10/22; A47K 10/3836;
A47K 10/16; A47K 10/3818; A47K
2010/3233; B60R 7/084
See application file for complete search history.

(56) **References Cited**

U.S. PATENT DOCUMENTS

D520,788 S * 5/2006 Hoernig D6/546
D522,295 S * 6/2006 Ferrer Beltran D6/546

D540,593 S * 4/2007 Hoernig D6/523
D550,489 S * 9/2007 Williams D6/523
D664,797 S * 8/2012 Kwok D6/523
D683,987 S * 6/2013 Bickler D6/523
D790,874 S * 7/2017 Eads D6/523
D806,514 S * 1/2018 Singtoroj D8/321
D806,524 S * 1/2018 Honein D8/363
D811,535 S * 2/2018 Wieser D23/239
D836,946 S * 1/2019 Rutgers D6/549
D839,632 S * 2/2019 Downey D6/546
D845,023 S * 4/2019 Garland D6/523

* cited by examiner

Primary Examiner — Nathan M Johnston

(74) *Attorney, Agent, or Firm* — Nirav D. Parikh; Edgar
A. Zarins

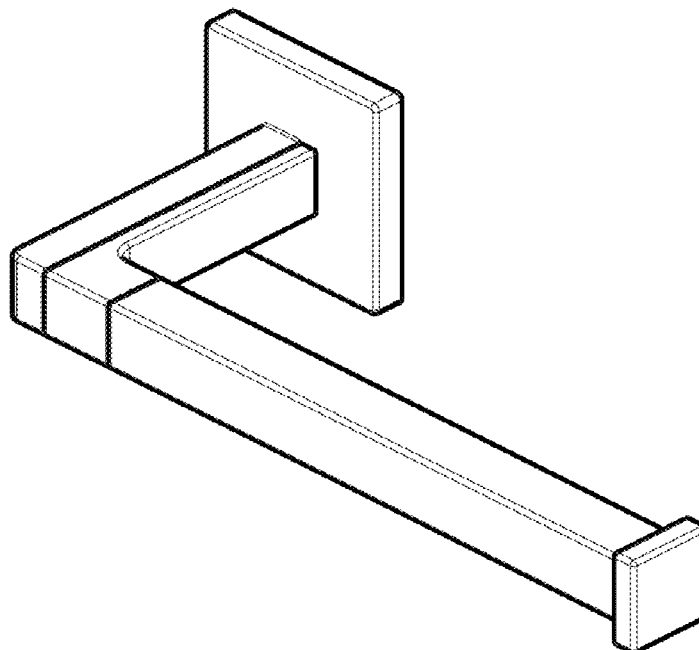
(57) **CLAIM**

The ornamental design for a tissue holder, as shown and described.

DESCRIPTION

FIG. 1 is a front perspective view of a tissue holder showing my new design;
FIG. 2 is a rear perspective view thereof;
FIG. 3 is a front elevational view thereof;
FIG. 4 is a left side view thereof;
FIG. 5 is a rear view thereof;
FIG. 6 is a right side view thereof;
FIG. 7 is a top plan view thereof; and,
FIG. 8 is a bottom view thereof.

1 Claim, 4 Drawing Sheets



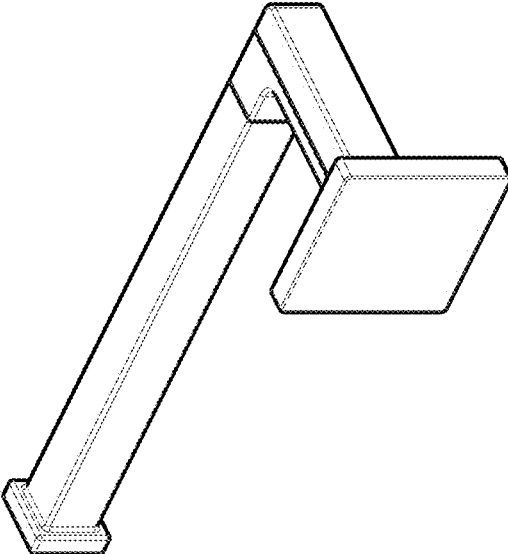


FIG-2

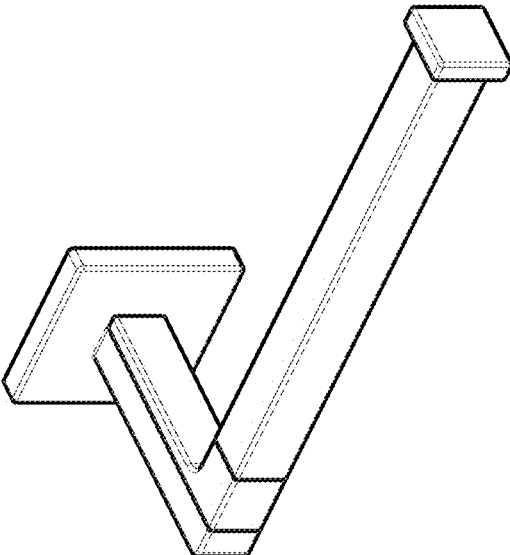


FIG-1

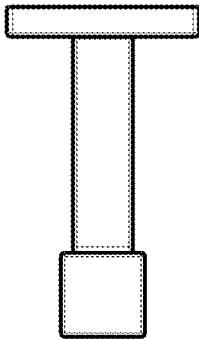


FIG-4

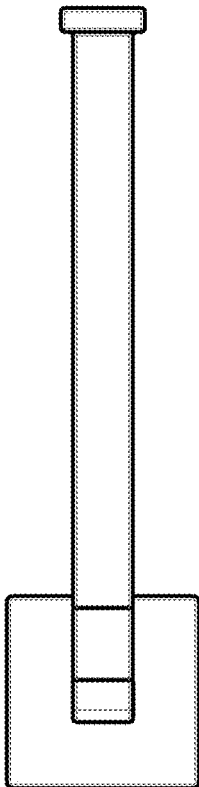


FIG-3

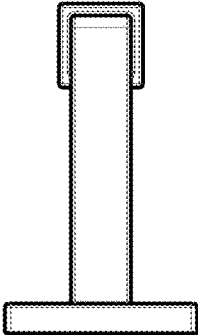


FIG. 6

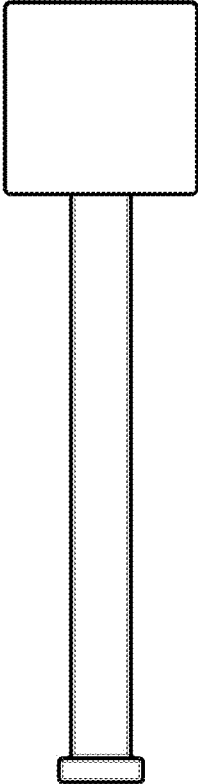


FIG. 5

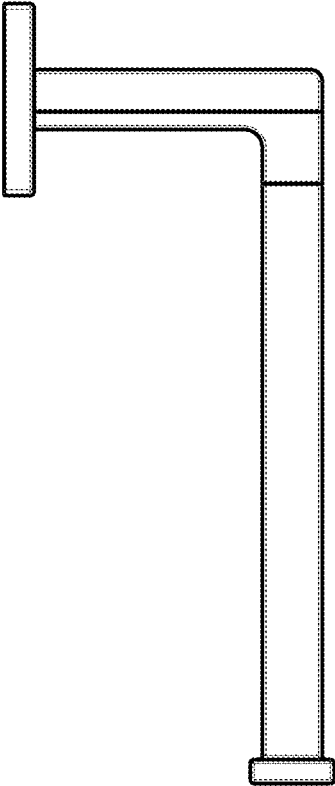


FIG-8

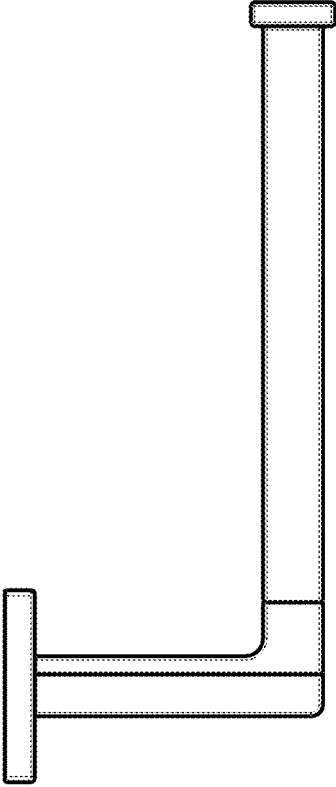


FIG-7