



US00D709481S

(12) **United States Design Patent**
Liu

(10) **Patent No.:** **US D709,481 S**

(45) **Date of Patent:** **** Jul. 22, 2014**

(54) **SPEAKER**

(71) Applicant: **Li-Hsing Liu**, Luzhu Township, Taoyuan County (TW)

(72) Inventor: **Li-Hsing Liu**, Luzhu Township, Taoyuan County (TW)

(**) Term: **14 Years**

(21) Appl. No.: **29/452,659**

(22) Filed: **Apr. 19, 2013**

(51) **LOC (10) Cl.** **14-01**

(52) **U.S. Cl.**
USPC **D14/221**

(58) **Field of Classification Search**
USPC D14/204, 209.1, 210–216, 172, 221;
181/143, 144, 147, 148, 150–153, 157,
181/198, 199; 381/300–306, 332, 333, 336,
381/345, 361–364

See application file for complete search history.

(56) **References Cited**

U.S. PATENT DOCUMENTS

3,512,605	A	*	5/1970	McCorkle	381/301
4,582,162	A	*	4/1986	Katsuno	181/141
D538,264	S	*	3/2007	Peersman	D14/209.1
D547,748	S	*	7/2007	Tsuge	D14/211
D589,939	S	*	4/2009	Hsu	D14/214
7,689,197	B2	*	3/2010	Laude et al.	455/344

D638,820	S	*	5/2011	Hotta	D14/214
D659,119	S	*	5/2012	Brunner et al.	D14/209.1
D676,829	S	*	2/2013	Kaneko	D14/209.1
D692,858	S	*	11/2013	Millora et al.	D14/214

* cited by examiner

Primary Examiner — Prabhakar Deshmukh

(74) *Attorney, Agent, or Firm* — Alan Kamrath; Kamrath IP Lawfirm, P.A.

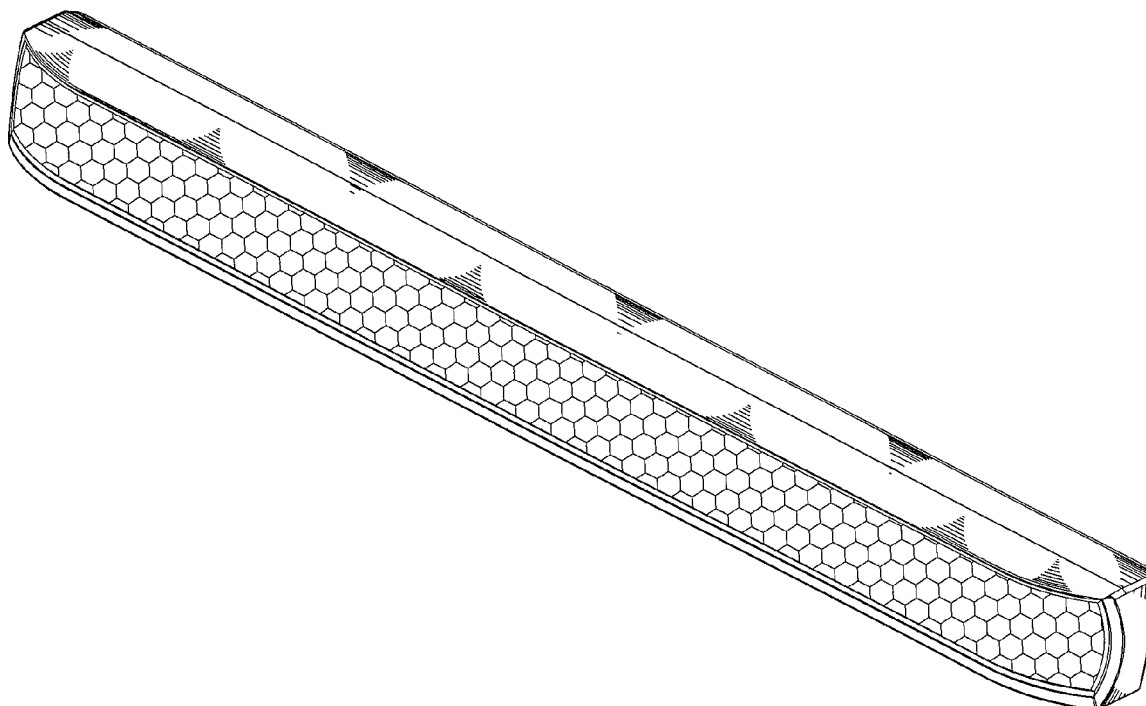
(57) **CLAIM**

The ornamental design for a speaker, as shown and described.

DESCRIPTION

FIG. 1 is a perspective view of a speaker showing my design; FIG. 2 is a front elevational view thereof; FIG. 3 is a rear elevational view thereof; FIG. 4 is an enlarged left side elevational view thereof; FIG. 5 is an enlarged right side elevational view thereof; FIG. 6 is a top plan view thereof; FIG. 7 is a bottom plan view thereof; FIG. 8 is a sectional view, taken along line 8-8 of FIG. 2; FIG. 9 is an enlarged view of the “Det-9” of FIG. 4; and, FIG. 10 is an enlarged view of the “Det-10” of FIG. 8. The features shown in broken lines depict environmental subject matter only and form no part of the claimed design.

1 Claim, 9 Drawing Sheets



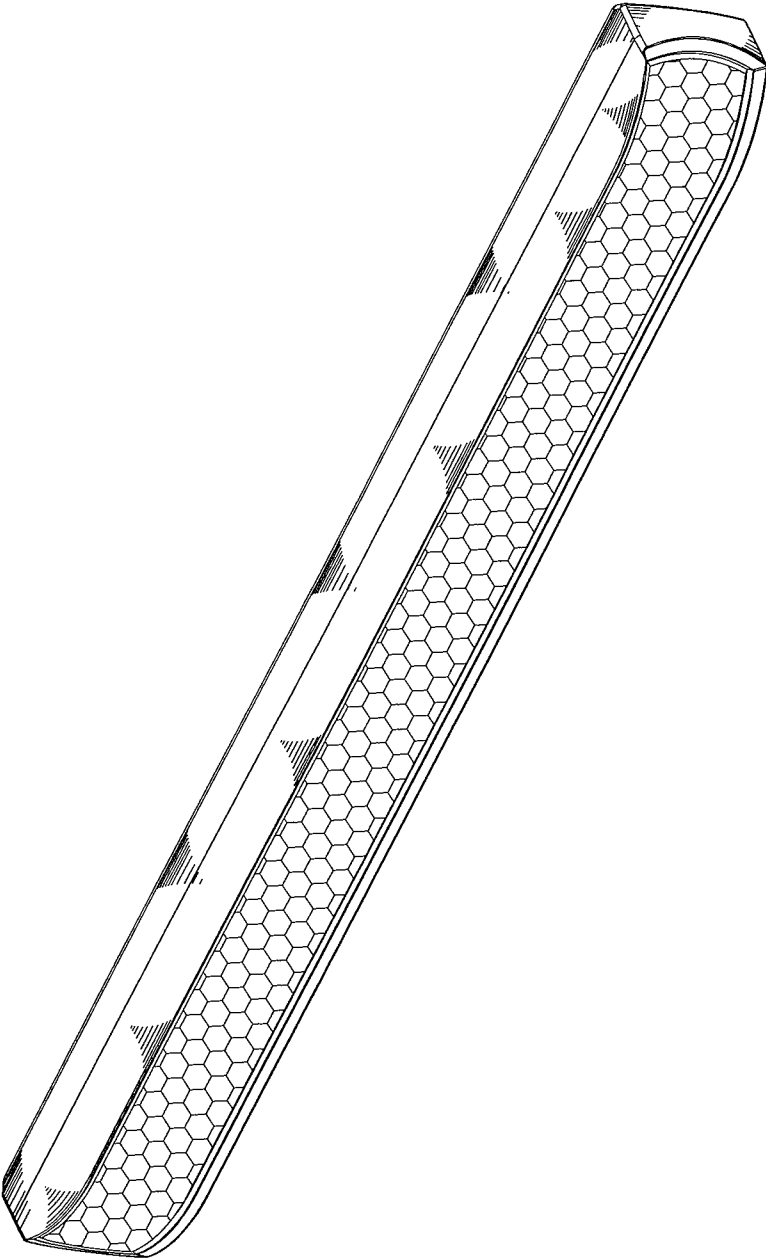


FIG. 1

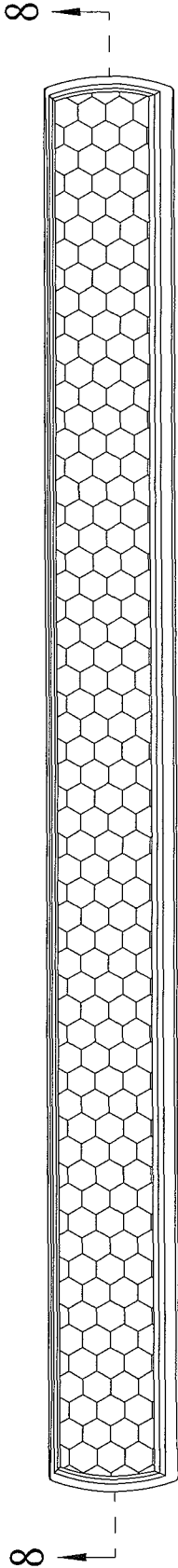


FIG. 2

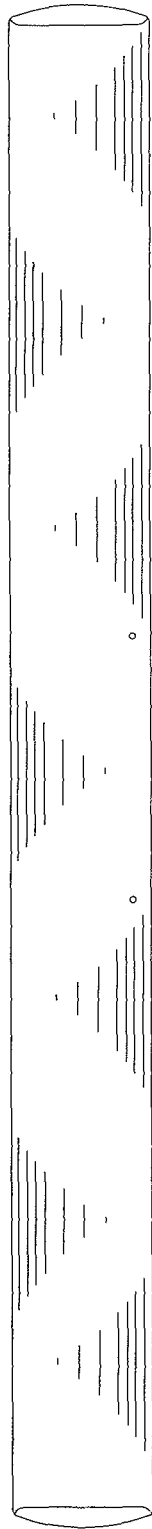


FIG. 3

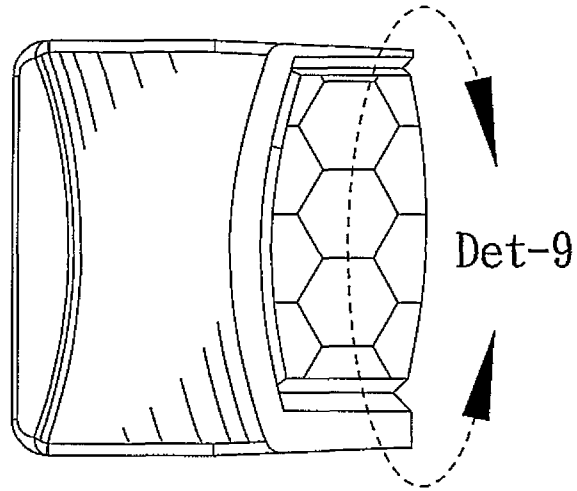


FIG. 4

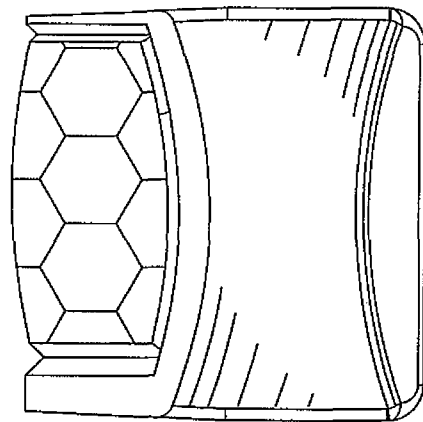


FIG. 5

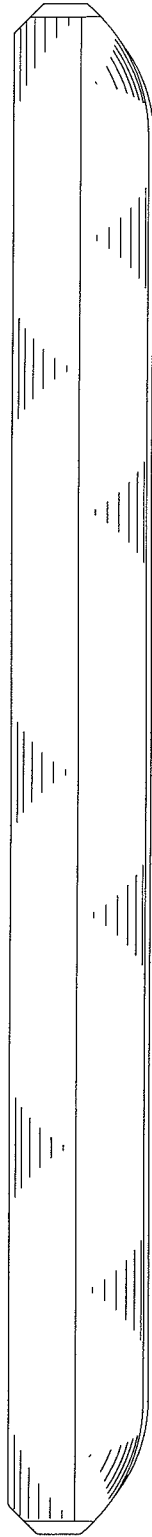


FIG. 6

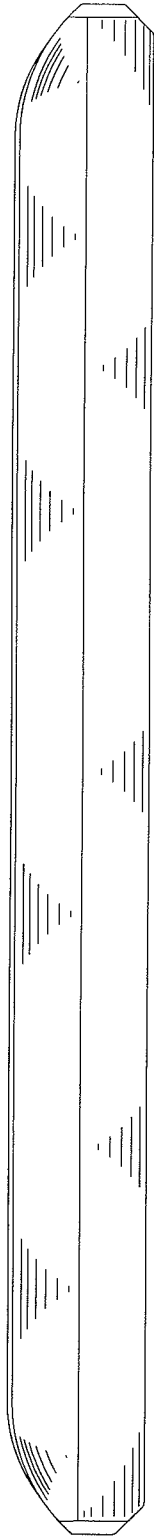


FIG. 7

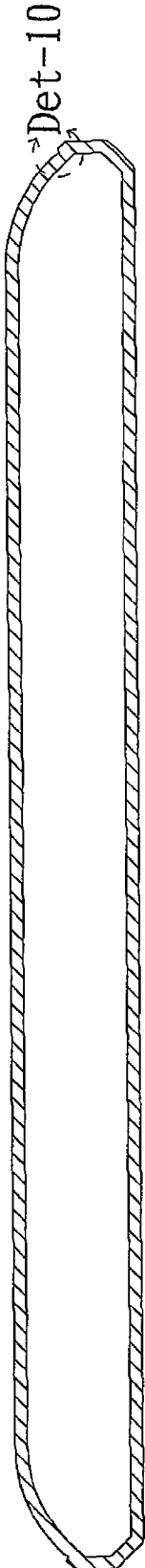


FIG. 8

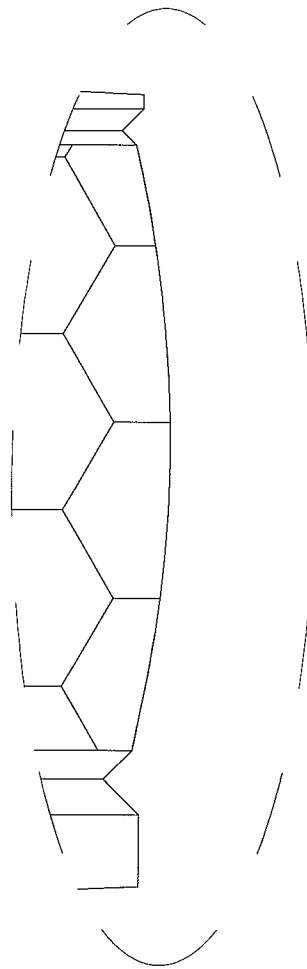


FIG. 9

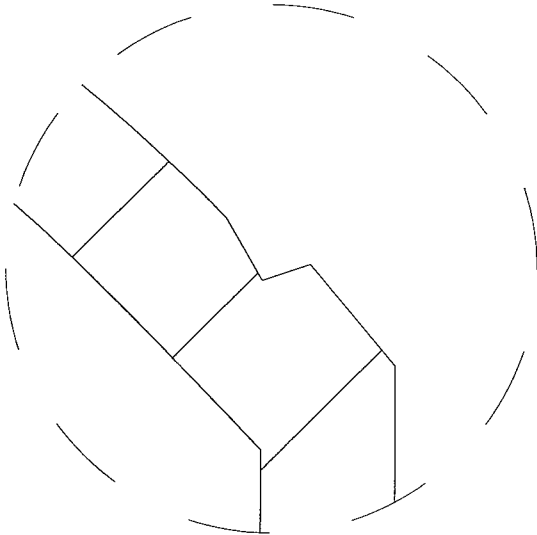


FIG. 10