



US00D463040S

(12) **United States Design Patent**
Cerrato

(10) **Patent No.:** **US D463,040 S**

(45) **Date of Patent:** **** Sep. 17, 2002**

(54) **INTERLOCKING MASONRY BLOCK**

(75) **Inventor:** **Dominic Cerrato**, Wintersville, OH (US)

(73) **Assignee:** **Cercorp Initiatives Incorporated**, Wintersville, OH (US)

(**) **Term:** **14 Years**

(21) **Appl. No.:** **29/143,232**

(22) **Filed:** **Jun. 8, 2001**

(51) **LOC (7) Cl.** **25-01**

(52) **U.S. Cl.** **D25/114**

(58) **Field of Search** D25/102, 112-118, D25/164, 199; D21/484-486, 500-505; 405/16, 272-273, 284-286; 52/102, 574-577, 596-612; 404/27-31, 34-42

(56) **References Cited**

U.S. PATENT DOCUMENTS

D251,306 S	*	3/1979	Ceglia	D25/114
D251,307 S	*	3/1979	Ceglia	D25/114
4,182,089 A	*	1/1980	Cook	52/574 X
D281,628 S	*	12/1985	Santos	D25/118

D333,355 S	*	2/1993	Adams	D25/118
D340,776 S	*	10/1993	Harrison	D25/118
D340,997 S	*	11/1993	Harrison	D25/118
6,082,067 A	*	7/2000	Bott	52/604 X
6,223,493 B1	*	5/2001	Ruggeri	52/603 X

* cited by examiner

Primary Examiner—Louis S. Zarfes

Assistant Examiner—Robert A. Delehanty

(74) *Attorney, Agent, or Firm*—Robert G. Lev

(57) **CLAIM**

The ornamental design for an interlocking masonry block, as shown and described.

DESCRIPTION

FIG. 1 is a top plan view of an interlocking masonry block depicting the new design;
 FIG. 2 is a front elevation view thereof;
 FIG. 3 is a left side elevation view thereof;
 FIG. 4 is a bottom right side perspective view thereof;
 FIG. 5 is a top right side perspective view thereof;
 FIG. 6 is a top left side perspective view thereof; and,
 FIG. 7 is a bottom left side perspective view thereof.

1 Claim, 2 Drawing Sheets

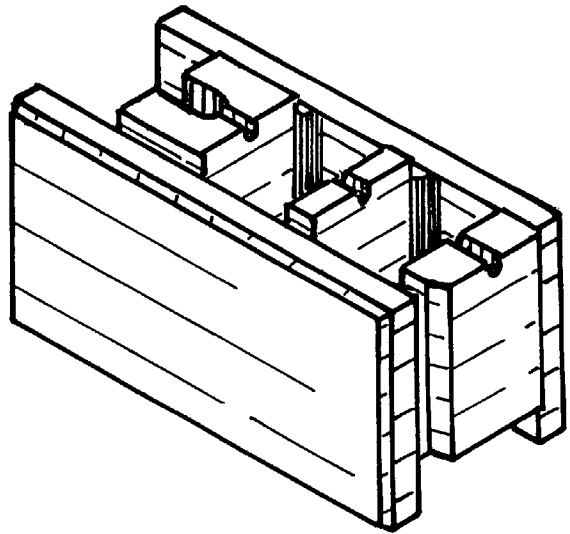
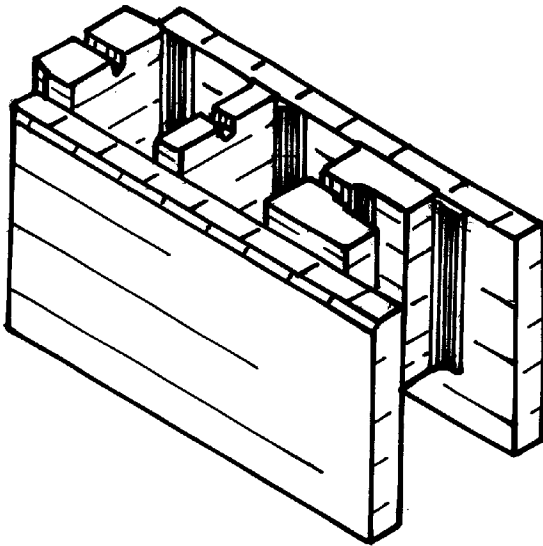


FIG. 1

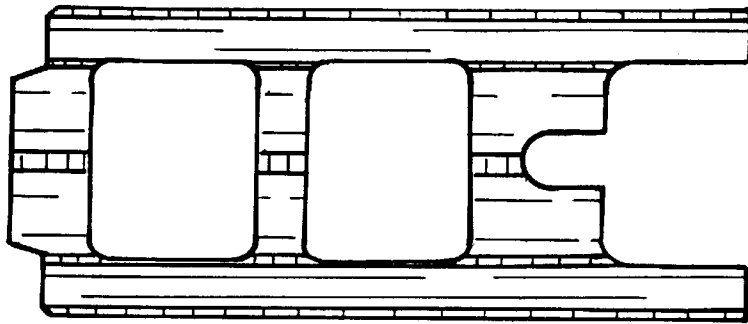


FIG. 2

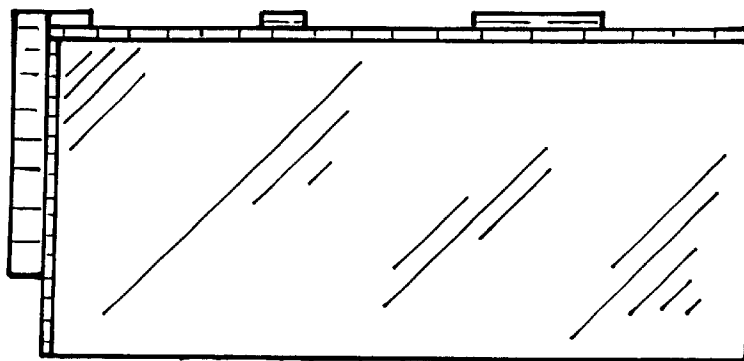


FIG. 3

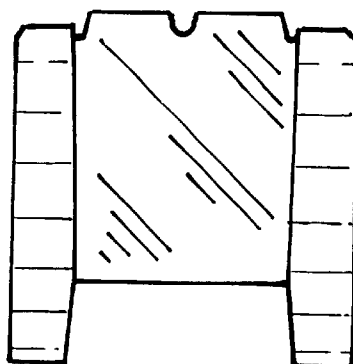


FIG. 4

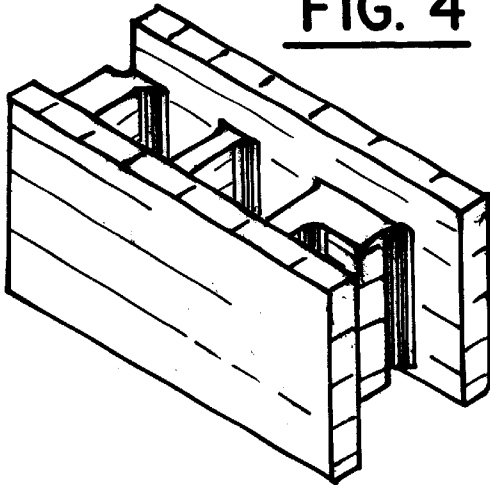


FIG. 5

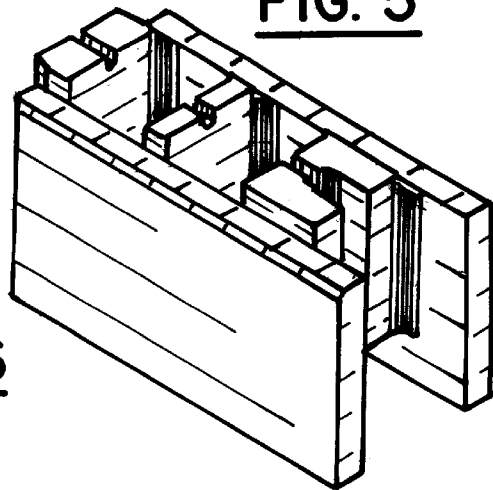


FIG. 6

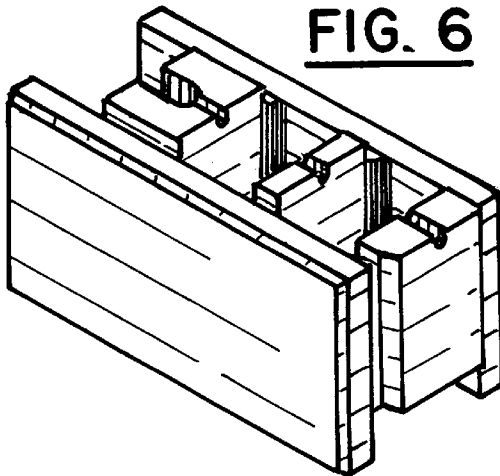


FIG. 7

