



US00D666433S

(12) **United States Design Patent**
Williams

(10) **Patent No.:** **US D666,433 S**

(45) **Date of Patent:** **** Sep. 4, 2012**

(54) **PERFUME DISPENSER DISPLAY CABINET**

(76) Inventor: **Gretchen Williams, Miami, FL (US)**

(**) Term: **14 Years**

(21) Appl. No.: **29/379,543**

(22) Filed: **Nov. 20, 2010**

(51) **LOC (9) Cl.** **06-04**

(52) **U.S. Cl.** **D6/470**

(58) **Field of Classification Search** D6/300,
D6/411, 415, 432, 455-470, 491-495, 509,
D6/559; D14/450; D19/52; D23/305; D25/48.3;
49/70; 160/371; 206/6.1, 413, 459.5, 566;
211/4, 13.1, 30, 85.2, 163, 165, 181.1, 182,
211/190, 197, 205; 312/135, 204-205, 242-245,
312/305, 351; 248/27.8, 121, 175, 465.1,
248/511-512, 519

See application file for complete search history.

(56) **References Cited**

U.S. PATENT DOCUMENTS

809,592 A *	1/1906	Watts, Jr.	312/242
2,166,430 A *	7/1939	Green	49/70
3,314,741 A *	4/1967	Litner	312/242
4,070,074 A *	1/1978	Rohme	312/245
4,076,350 A *	2/1978	Crist	312/242
RE31,409 E *	10/1983	Crist	312/242
D321,451 S *	11/1991	Greve	D6/559
5,163,745 A *	11/1992	Zagata	312/242
5,368,378 A *	11/1994	Curtis	312/204
5,484,196 A *	1/1996	Kim	312/242
D366,796 S *	2/1996	Crowley	D6/559
D367,196 S *	2/1996	Mashal	D6/559
D383,937 S *	9/1997	Myers	D6/559
D403,534 S *	1/1999	Gregory et al.	D6/470
D403,907 S *	1/1999	Kato	D6/559
D416,156 S *	11/1999	Mutti	D6/559
D416,736 S *	11/1999	Bergin	D6/559

D426,996 S *	6/2000	Kourembanas	D6/559
6,089,685 A *	7/2000	Ryan et al.	312/351
D451,290 S *	12/2001	Allen	D6/300
D497,069 S *	10/2004	Aisley et al.	D6/559
D504,266 S *	4/2005	Clucas	D6/559
D528,840 S *	9/2006	Greiner	D6/559
D532,823 S *	11/2006	Pena Angarita	D19/52
D544,277 S *	6/2007	Hoyvik	D6/559
D555,392 S *	11/2007	Grozinger	D6/432
7,387,151 B1 *	6/2008	Payne	160/371
D575,531 S *	8/2008	Paterson	D6/300
D589,722 S *	4/2009	Greiner	D6/432
D594,236 S *	6/2009	Sidiropoulos	D6/300
D607,578 S *	1/2010	Smithline	D25/48.3
D609,508 S *	2/2010	Puksta	D6/509
D609,953 S *	2/2010	Walker	D6/559
D637,195 S *	5/2011	Stammers et al.	D14/450
D653,316 S *	1/2012	Beswick et al.	D23/305
2003/0090177 A1 *	5/2003	Posvar	312/205

* cited by examiner

Primary Examiner — Ricky Pham

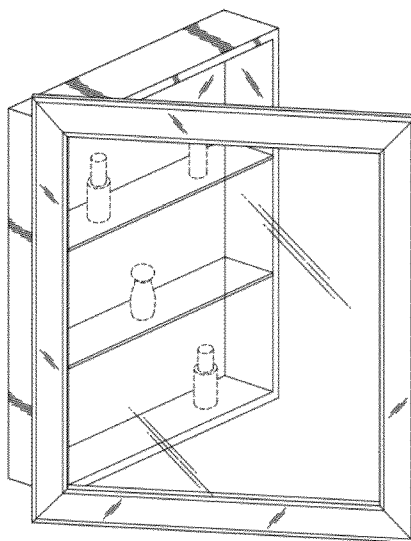
(57) **CLAIM**

The ornamental design for the perfume dispenser display cabinet, as shown and described.

DESCRIPTION

FIG. 1 is a frontal view thereof; and
FIG. 2 is a rear view thereof; and
FIG. 3 is a left side view thereof; and
FIG. 4 is a right side view thereof; and
FIG. 5 is a top side view thereof; and
FIG. 6 is a bottom side view thereof; and,
FIG. 7 is a perspective view thereof with the access door partially open.
The broken lines showing of parts of the drawings is included for the purpose of illustrating use and environment and forms no part of the claimed design.

1 Claim, 4 Drawing Sheets



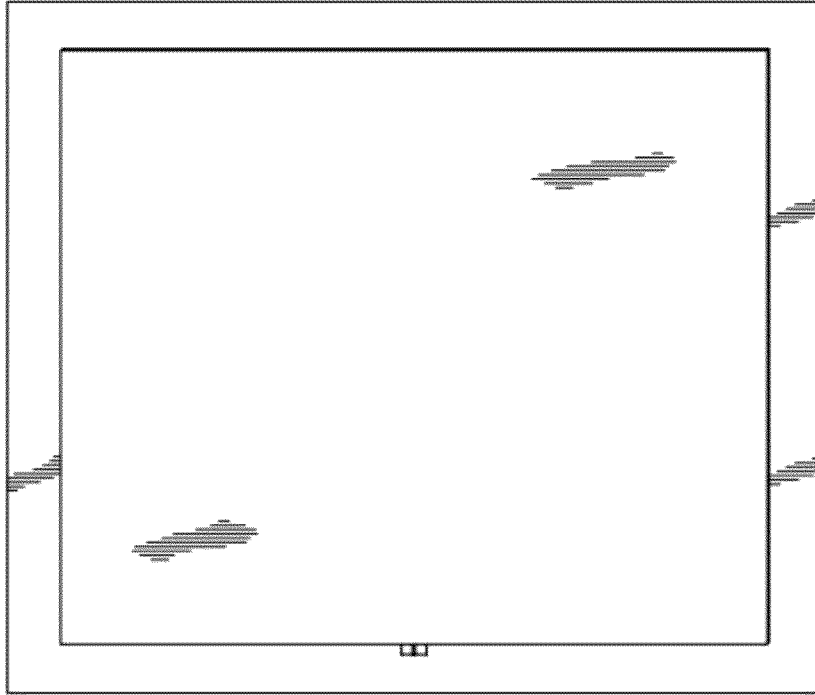


FIG. 2

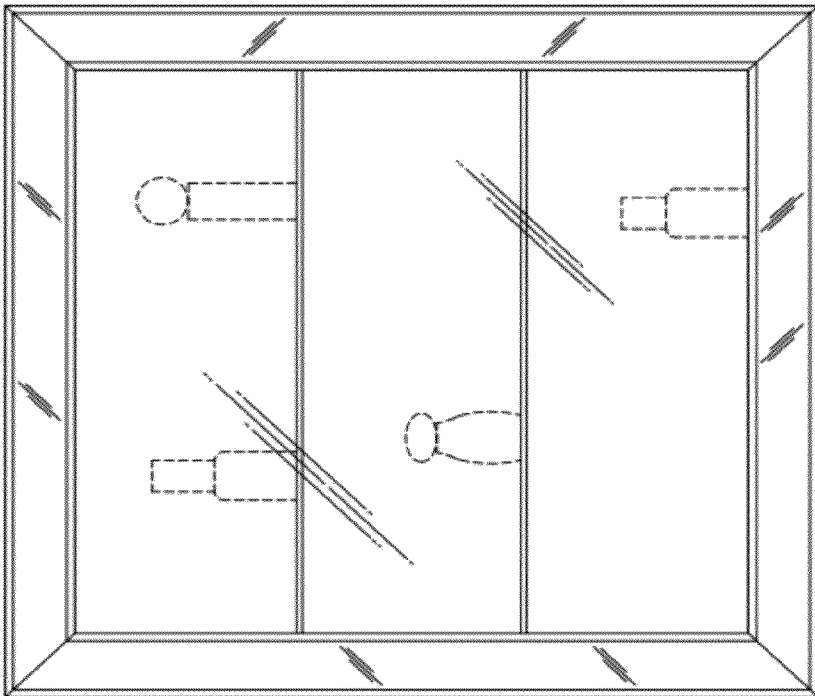


FIG. 1

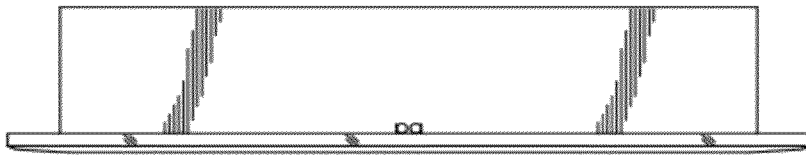


FIG. 4

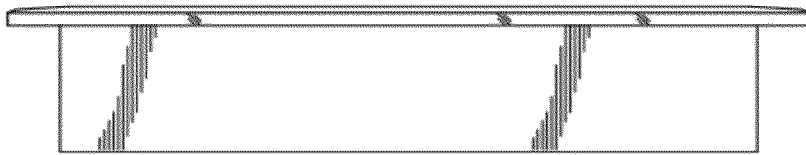


FIG. 3

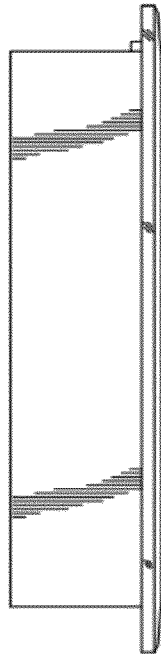


FIG. 5

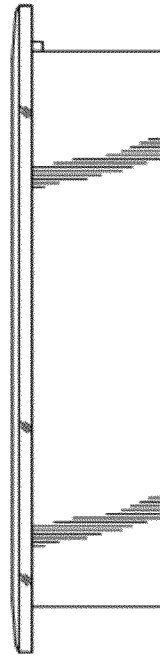


FIG. 6

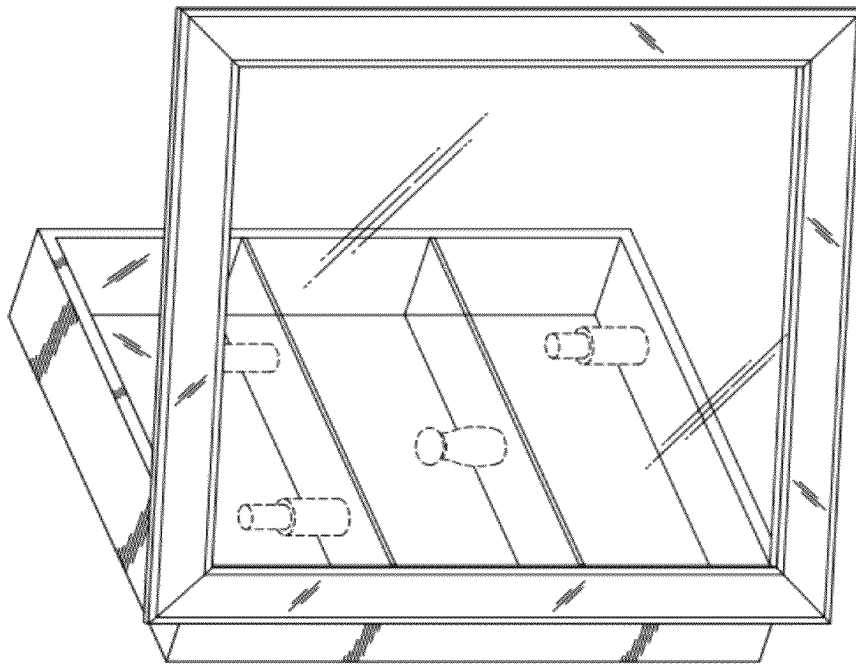


FIG. 7