



US00D562865S

(12) **United States Design Patent**
Yasutomi

(10) **Patent No.:** **US D562,865 S**

(45) **Date of Patent:** **** Feb. 26, 2008**

(54) **CAMERA LENS**

(75) Inventor: **Hiroshi Yasutomi**, Tokyo (JP)

(73) Assignee: **Sony Corporation**, Tokyo (JP)

(**) Term: **14 Years**

(21) Appl. No.: **29/267,847**

(22) Filed: **Oct. 24, 2006**

(30) **Foreign Application Priority Data**

May 24, 2006 (JP) D2006-013092

(51) **LOC (8) Cl.** **16-06**

(52) **U.S. Cl.** **D16/134; D16/219**

(58) **Field of Classification Search** D16/134,
D16/136, 200, 202, 203, 204, 219; 348/373-376;
358/909.1; 359/811, 815, 819, 826, 827,
359/828; 396/529-532, 535, 540, 541, 544
See application file for complete search history.

(56) **References Cited**

U.S. PATENT DOCUMENTS

- D248,766 S * 8/1978 Arai D16/134
- D251,669 S * 4/1979 Ueda et al. D16/134
- D302,169 S 7/1989 Kimura et al.
- D302,984 S 8/1989 Kimura et al.
- D303,976 S * 10/1989 Kimura et al. D16/134

- 5,060,005 A * 10/1991 Itoh et al. 396/532
- D341,611 S * 11/1993 Takahashi D16/219
- 5,305,036 A * 4/1994 Tanaka 396/529
- D375,969 S * 11/1996 Watanabe D16/134
- 5,732,303 A * 3/1998 Choi 396/532
- D425,088 S * 5/2000 Watanabe D16/219
- D428,428 S * 7/2000 Ono D16/134
- D500,068 S 12/2004 Hayashi

* cited by examiner

Primary Examiner—Adir Aronovich
(74) *Attorney, Agent, or Firm*—Rader, Fishman & Grauer, PLLC

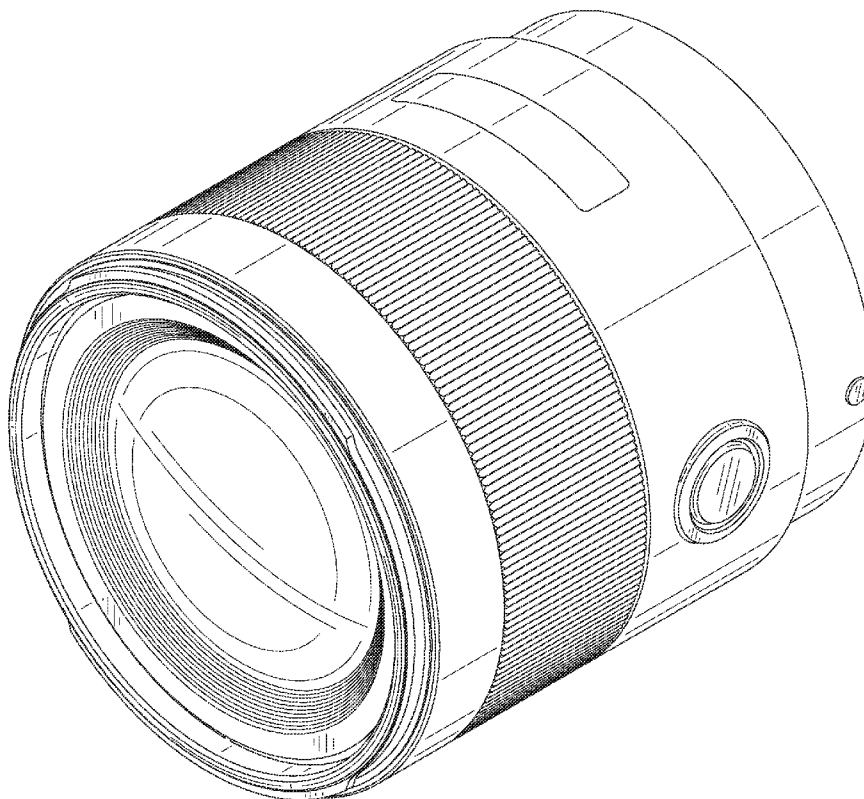
(57) **CLAIM**

The ornamental design for a camera lens, as shown.

DESCRIPTION

FIG. 1 is a perspective view of a camera lens showing my new design;
 FIG. 2 is a front elevational view thereof;
 FIG. 3 is a rear elevational view thereof;
 FIG. 4 is a left side elevational view thereof;
 FIG. 5 is a right side elevational view thereof;
 FIG. 6 is a top plan view thereof; and,
 FIG. 7 is a bottom plan view thereof.

1 Claim, 7 Drawing Sheets



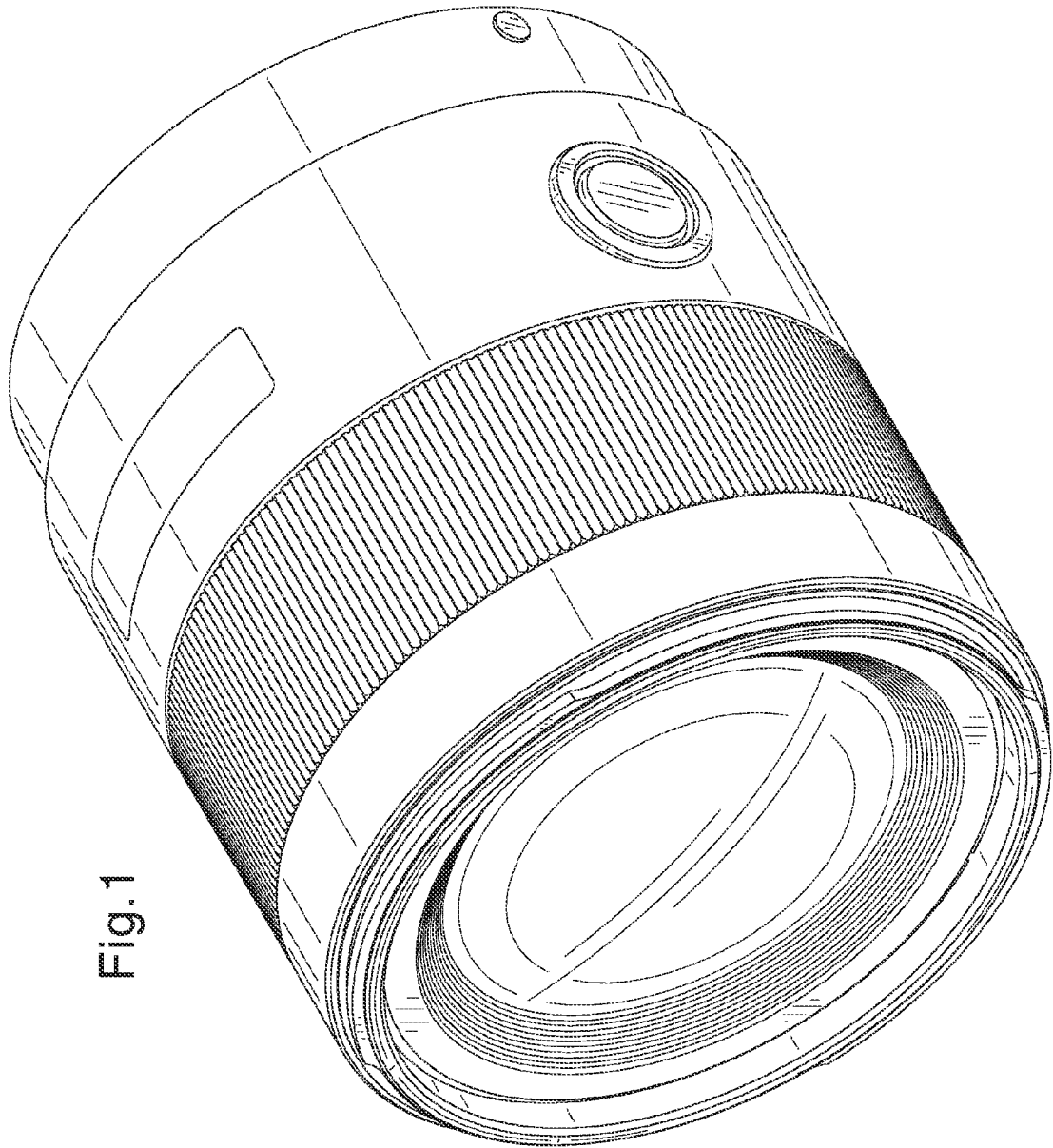


Fig.1

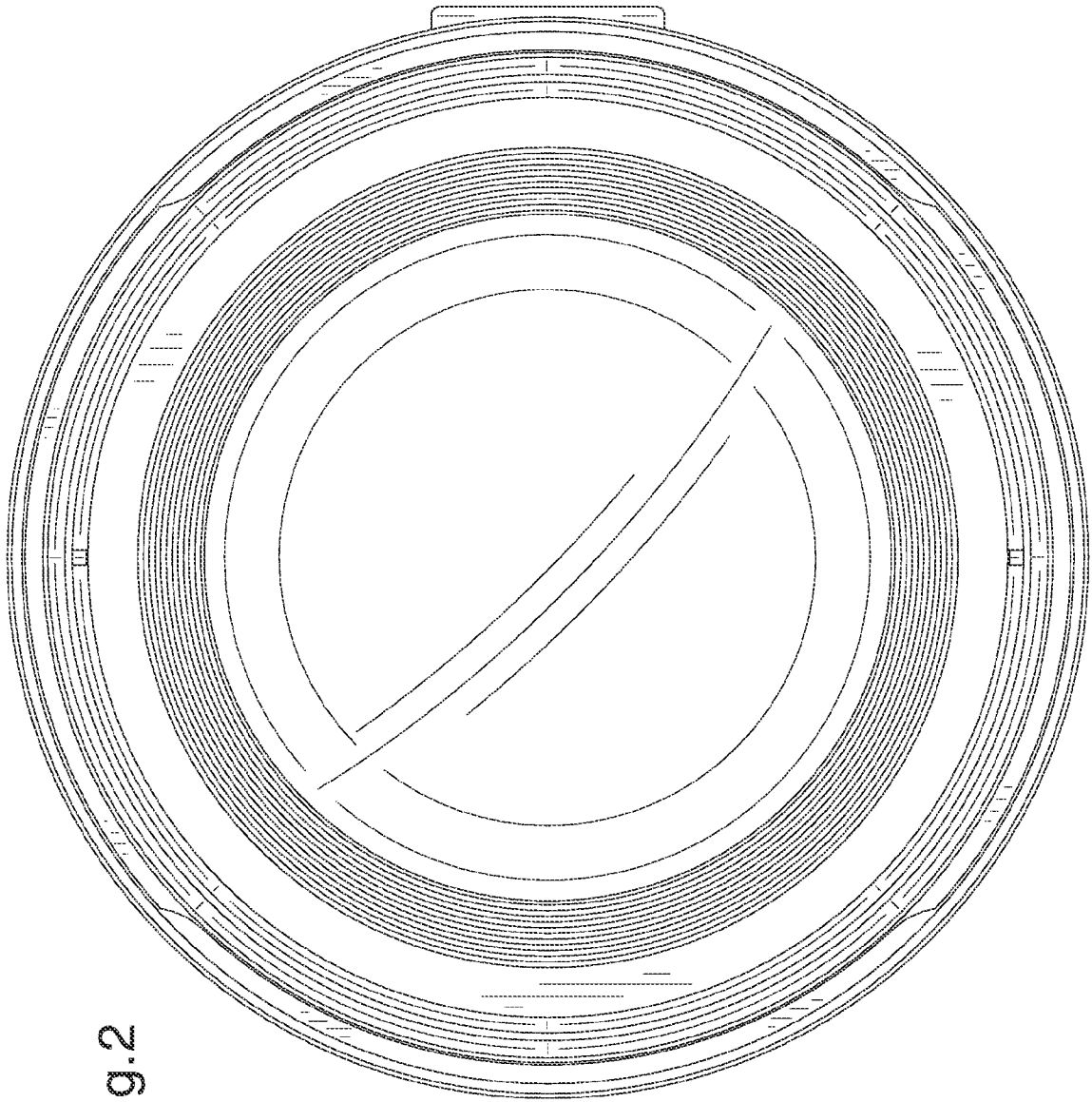


Fig.2

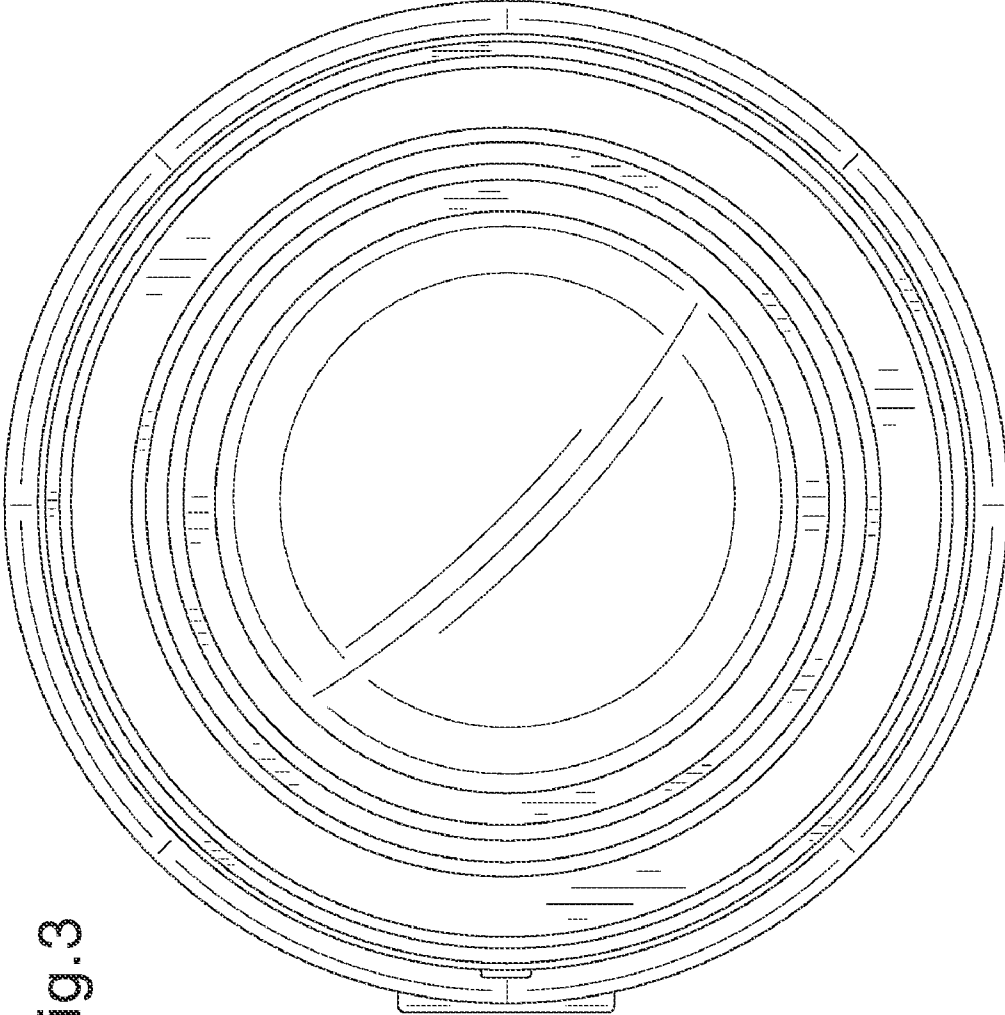


Fig.3

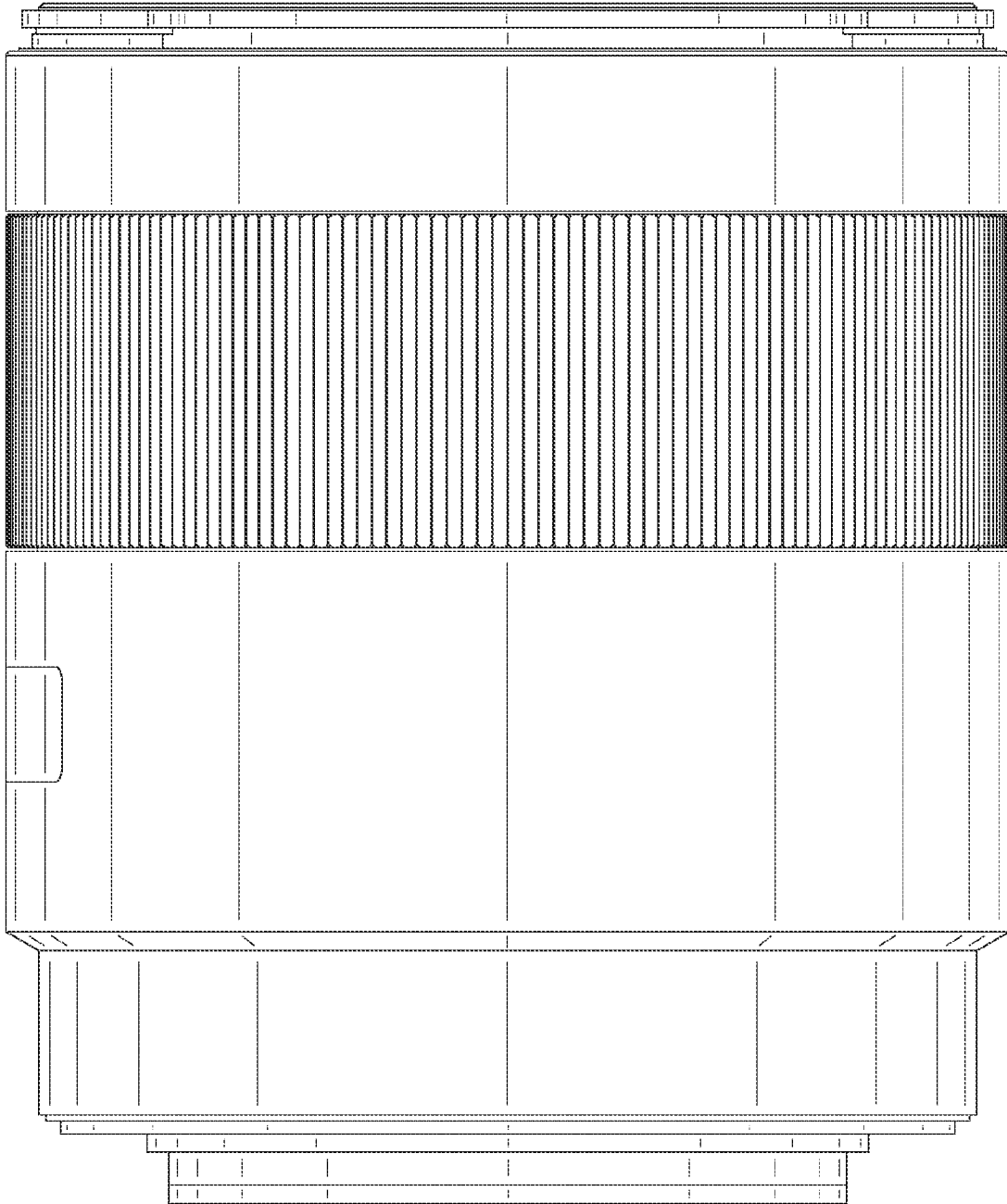


Fig.4

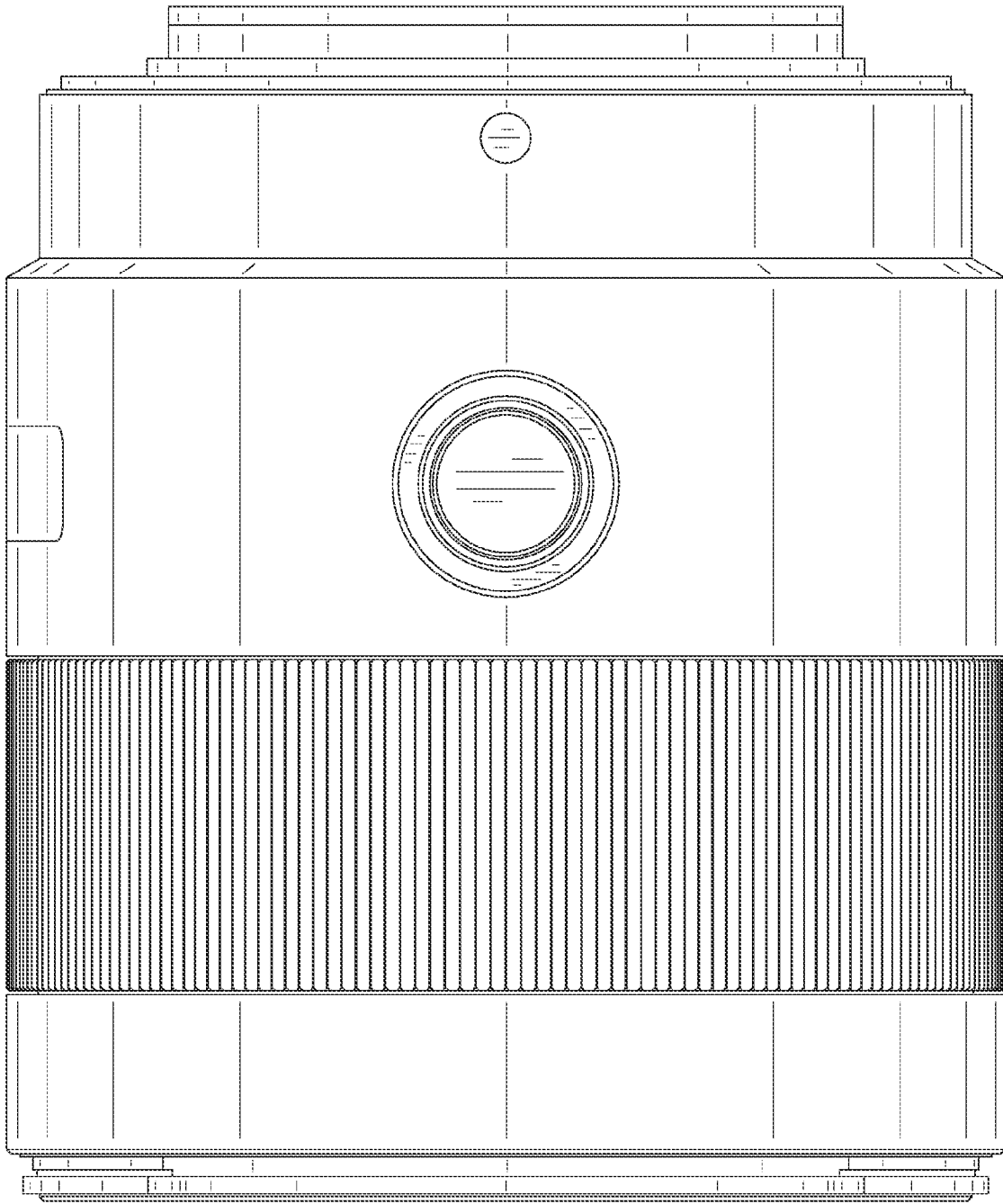


Fig. 5

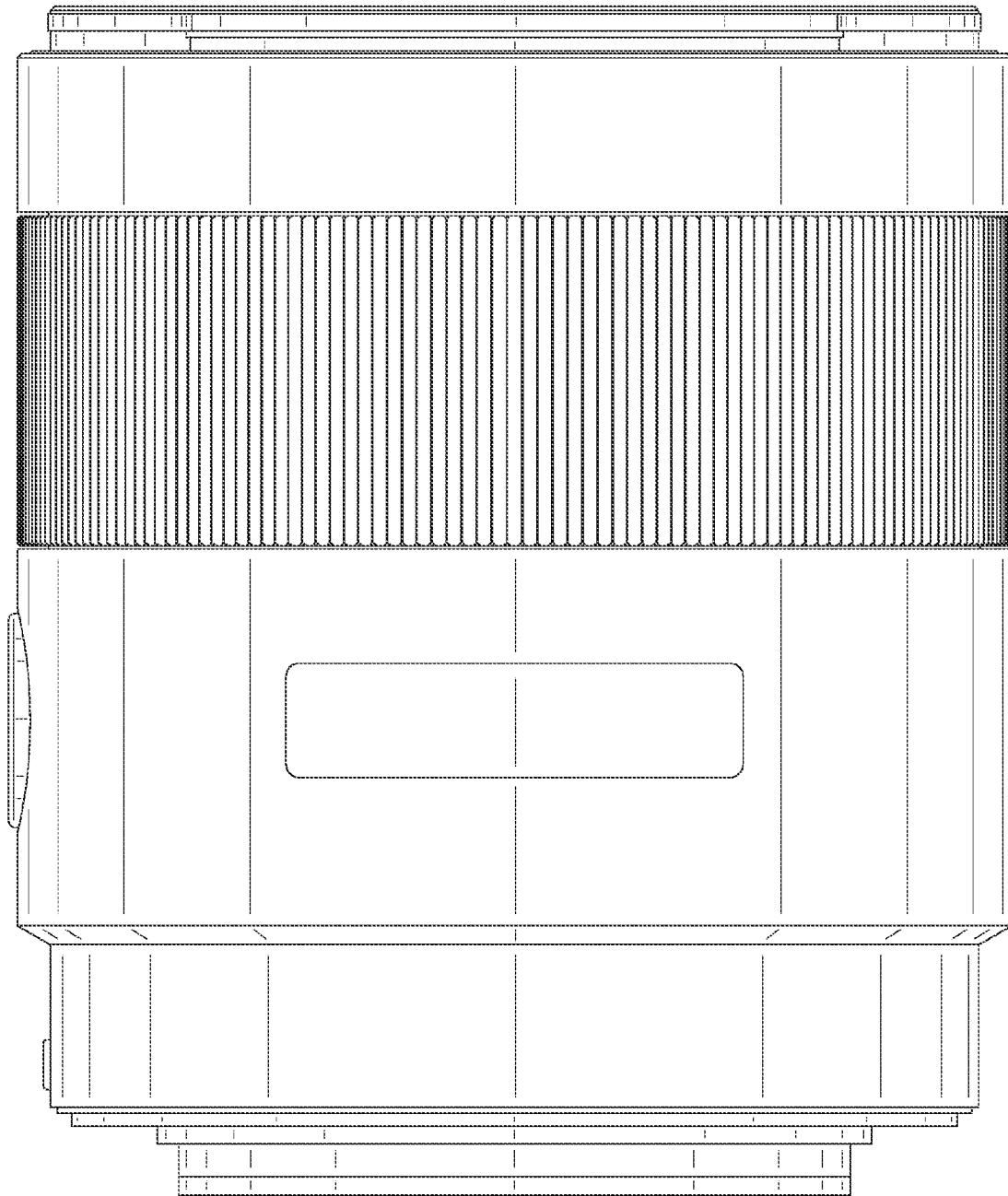


Fig.6

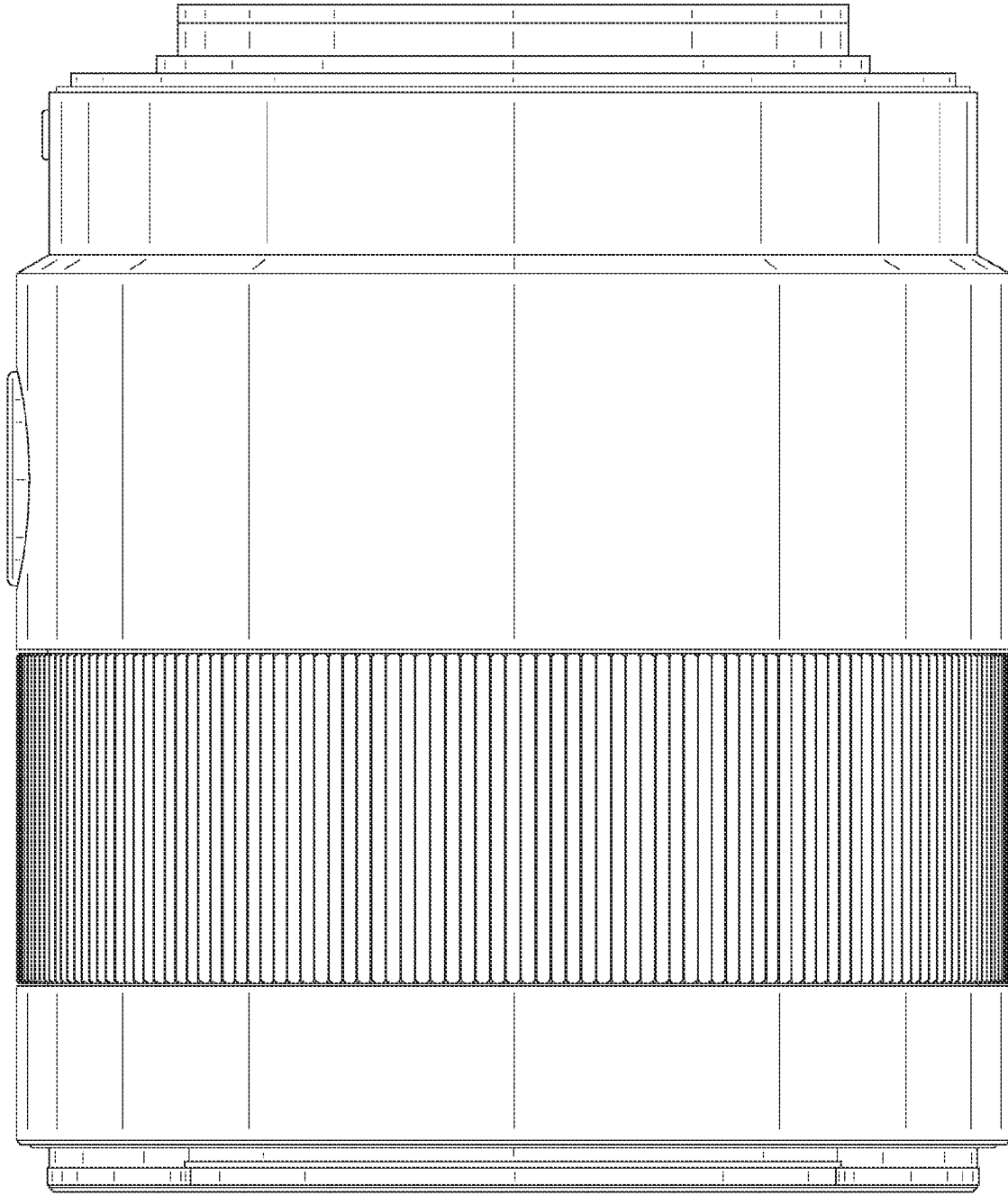


Fig. 7