

(19) World Intellectual Property Organization
International Bureau



(43) International Publication Date
3 April 2008 (03.04.2008)

PCT

(10) International Publication Number
WO 2008/039460 A3

- (51) International Patent Classification:
A61B 17/56 (2006.01)
- (21) International Application Number:
PCT/US2007/020691
- (22) International Filing Date:
25 September 2007 (25.09.2007)
- (25) Filing Language: English
- (26) Publication Language: English
- (30) Priority Data:
11/527,246 26 September 2006 (26.09.2006) US
- (63) Related by continuation (CON) or continuation-in-part (CIP) to earlier application:
US 11/527,246 (CON)
Filed on 26 September 2006 (26.09.2006)
- (71) Applicant (for all designated States except US): EBI, L.P.
[US/US]; 100 Interpace Parkway, Parsippany, New Jersey 07054 (US).
- (72) Inventors; and
- (75) Inventors/Applicants (for US only): COHEN, Dan S.

[US/US]; 1415 Northview Dr., Miami Beach, Florida 33140 (US). BENDER, Nicholas J. [US/US]; 230 Kings Vlg., Budd Lake, New Jersey 07828 (US). BUCHERT, Oliver [US/US]; 62 Morrissee Ave., Apt. 2, Wallington, New Jersey 07057 (US). FERREIRA, Rui J. [US/US]; 52 Collinwood Ave., Livingston, New Jersey 07039 (US).

(74) Agents: COMNINOU, Maria et al.; Harness, Dickey & Pierce, P.L.C., P.O. Box 828, Bloomfield Hills, Michigan 48303 (US).

(81) Designated States (unless otherwise indicated, for every kind of national protection available): AE, AG, AL, AM, AT, AU, AZ, BA, BB, BG, BH, BR, BW, BY, BZ, CA, CH, CN, CO, CR, CU, CZ, DE, DK, DM, DO, DZ, EC, EE, EG, ES, FI, GB, GD, GE, GH, GM, GT, HN, HR, HU, ID, IL, IN, IS, JP, KE, KG, KM, KN, KP, KR, KZ, LA, LC, LK, LR, LS, LT, LU, LY, MA, MD, ME, MG, MK, MN, MW, MX, MY, MZ, NA, NG, NI, NO, NZ, OM, PG, PH, PL, PT, RO, RS, RU, SC, SD, SE, SG, SK, SL, SM, SV, SY, TJ, TM, TN, TR, TT, TZ, UA, UG, UZ, VC, VN, ZA, ZM, ZW.

[Continued on next page]

(54) Title: PERCUTANEOUS INSTRUMENT ASSEMBLY

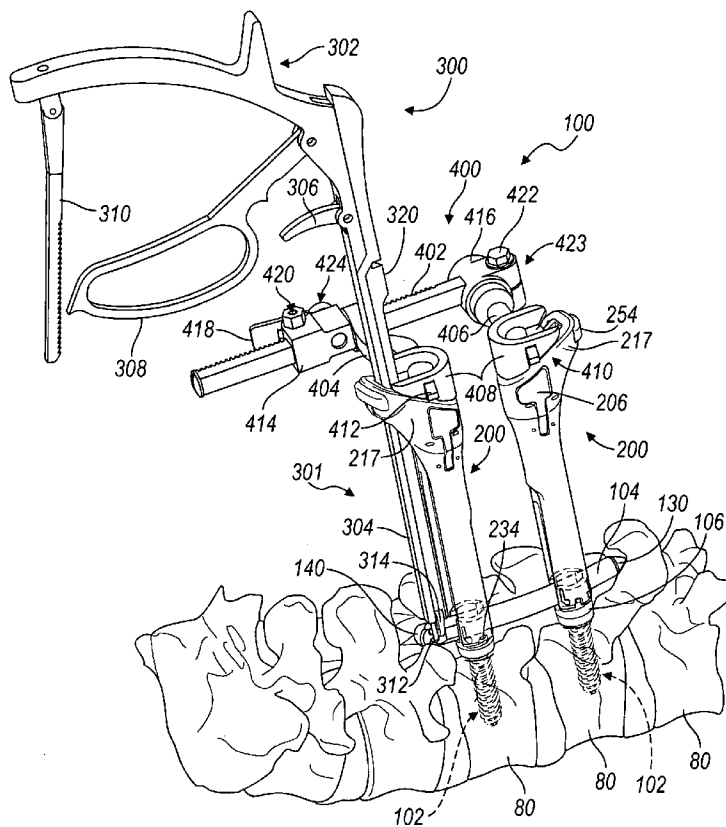


FIG. 1

(57) Abstract: A percutaneous tower for the orthopedic procedures. The tower can include an outer elongated member, an inner elongated member received within the outer elongated member, a release actuator operable to move the inner elongated member relative to the outer elongated member between first and second positions, and a fastener engagement member coupled to a distal portion of the tower and operable to engage a bone fastener when the inner elongated member is in the first position, and to disengage the bone fastener when the inner elongated member is in the second position.

WO 2008/039460 A3



(84) Designated States (*unless otherwise indicated, for every kind of regional protection available*): ARIPO (BW, GH, GM, KE, LS, MW, MZ, NA, SD, SL, SZ, TZ, UG, ZM, ZW), Eurasian (AM, AZ, BY, KG, KZ, MD, RU, TJ, TM), European (AT, BE, BG, CH, CY, CZ, DE, DK, EE, ES, FI, FR, GB, GR, HU, IE, IS, IT, LT, LU, LV, MC, MT, NL, PL,

PT, RO, SE, SI, SK, TR), OAPI (BF, BJ, CF, CG, CI, CM, GA, GN, GQ, GW, ML, MR, NE, SN, TD, TG).

Published:

— *with international search report*

(88) Date of publication of the international search report:
14 August 2008

INTERNATIONAL SEARCH REPORT

International application No.
PCT/US2007/020691

A. CLASSIFICATION OF SUBJECT MATTER
IPC(8) - A61B 17/32 (2008.01)
USPC - 606/167
According to International Patent Classification (IPC) or to both national classification and IPC

B. FIELDS SEARCHED
Minimum documentation searched (classification system followed by classification symbols)
IPC(8) - A61B 17/32 (2008.01)
USPC - 606/167

Documentation searched other than minimum documentation to the extent that such documents are included in the fields searched

Electronic data base consulted during the international search (name of data base and, where practicable, search terms used)
PatBase

C. DOCUMENTS CONSIDERED TO BE RELEVANT

Category*	Citation of document, with indication, where appropriate, of the relevant passages	Relevant to claim No.
X	WO 2006/091863 A2 (SONGER et al) 31 August 2006 (31.08.2006) entire document	1-29

Further documents are listed in the continuation of Box C.

* Special categories of cited documents:
 "A" document defining the general state of the art which is not considered to be of particular relevance
 "E" earlier application or patent but published on or after the international filing date
 "L" document which may throw doubts on priority claim(s) or which is cited to establish the publication date of another citation or other special reason (as specified)
 "O" document referring to an oral disclosure, use, exhibition or other means
 "P" document published prior to the international filing date but later than the priority date claimed
 "T" later document published after the international filing date or priority date and not in conflict with the application but cited to understand the principle or theory underlying the invention
 "X" document of particular relevance; the claimed invention cannot be considered novel or cannot be considered to involve an inventive step when the document is taken alone
 "Y" document of particular relevance; the claimed invention cannot be considered to involve an inventive step when the document is combined with one or more other such documents, such combination being obvious to a person skilled in the art
 "&" document member of the same patent family

Date of the actual completion of the international search 06 February 2008	Date of mailing of the international search report 02 APR 2008
---	--

Name and mailing address of the ISA/US Mail Stop PCT, Attn: ISA/US, Commissioner for Patents P.O. Box 1450, Alexandria, Virginia 22313-1450 Facsimile No. 571-273-3201	Authorized officer: Blaine R. Copenheaver PCT Helpdesk: 571-272-4300 PCT OSP: 571-272-7774
---	---