



US00D949252S

(12) **United States Design Patent**
Chen

(10) **Patent No.:** **US D949,252 S**

(45) **Date of Patent:** **** Apr. 19, 2022**

- (54) **ABDOMINAL WHEEL**
- (71) Applicant: **Wenfu Chen**, Jiangxi (CN)
- (72) Inventor: **Wenfu Chen**, Jiangxi (CN)
- (**) Term: **15 Years**
- (21) Appl. No.: **29/683,528**
- (22) Filed: **Mar. 13, 2019**
- (51) **LOC (13) Cl.** **21-02**
- (52) **U.S. Cl.**
USPC **D21/662**
- (58) **Field of Classification Search**
USPC D21/662, 673–675, 679–682, 684, 687,
D21/694; D24/200, 211
CPC A63B 21/0004; A63B 22/20
See application file for complete search history.

- D756,468 S * 5/2016 Chang D21/662
- 9,586,088 B2 * 3/2017 Wong A63B 23/0211
- D794,725 S * 8/2017 Lamothe D21/679
- D815,217 S * 4/2018 Miller D21/662
- D818,544 S * 5/2018 Miller D21/662
- D851,271 S * 6/2019 Burson A61H 15/0092
D24/211
- D852,903 S * 7/2019 Chuang D21/662
- D861,808 S * 10/2019 Shi D21/688
- D877,822 S * 3/2020 Ross D21/678
- D890,866 S * 7/2020 Religa D21/662
- D901,609 S * 11/2020 Schough D21/681

(Continued)

OTHER PUBLICATIONS

Amazon, "Syntus_Wheel Roller", Nov. 8, 2018. https://www.amazon.com/Syntus-Upgraded-Adjustable-Skipping-Equipment/dp/B07FQQK73H/ref=sr_1_25?dchild=1&keywords=ad+roller&qid=1605716694&sr=8-25. Shown on p. 1. (Year: 2018).*

(Continued)

(56) **References Cited**

U.S. PATENT DOCUMENTS

- 2,475,656 A * 7/1949 Bidak A63B 21/06
482/46
- 5,853,355 A * 12/1998 Standish A63B 21/0601
482/106
- D422,038 S * 3/2000 Iannetta D21/662
- 6,196,955 B1 * 3/2001 Chuang A63B 21/0004
482/127
- D445,852 S * 7/2001 Mishan D21/662
- D448,851 S * 10/2001 Louis D24/211
- D453,363 S * 2/2002 Zhang D21/662
- D454,929 S * 3/2002 Huang D21/662
- D456,864 S * 5/2002 Dantolan D21/662
- 7,837,603 B1 * 11/2010 Carnell, Sr. A63B 21/0004
482/132
- D654,970 S * 2/2012 Daves D21/662
- D666,255 S * 8/2012 Babchinetskaya D21/662
- D669,141 S * 10/2012 MacColl D21/662
- D697,148 S * 1/2014 Lin D21/681
- D735,817 S * 8/2015 Reid A63B 23/1236
D21/662
- D745,614 S * 12/2015 Ho D21/662

Primary Examiner — Michael A Maharajh

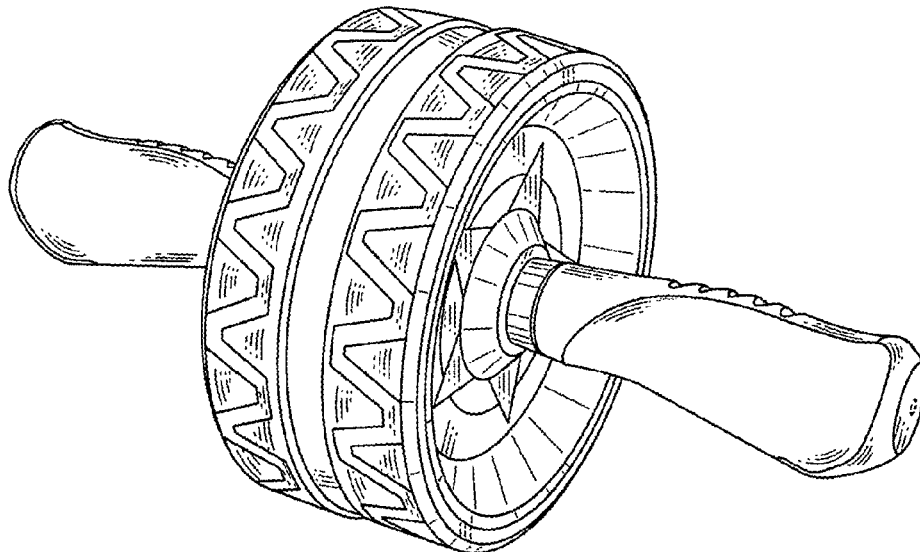
(57) **CLAIM**

The ornamental design for an abdominal wheel, as shown and described.

DESCRIPTION

FIG. 1 is a perspective view of an abdominal wheel showing my new design;
FIG. 2 is a front elevational view thereof;
FIG. 3 is a rear elevational view thereof;
FIG. 4 is a left side elevational view thereof;
FIG. 5 is a right side elevational view thereof;
FIG. 6 is a top plan view thereof; and,
FIG. 7 is a bottom plan view thereof.
The broken lines shown in the figures are for the purpose of illustrating portions of the abdominal wheel, which form no part of the claimed design.

1 Claim, 7 Drawing Sheets



(56)

References Cited

U.S. PATENT DOCUMENTS

2003/0022770 A1* 1/2003 Lee A63B 22/20
482/136
2012/0157274 A1* 6/2012 MacColl A63B 21/153
482/132
2012/0264578 A1* 10/2012 Frederick A63B 22/20
482/132
2013/0017936 A1* 1/2013 Olson A63B 21/015
482/132
2014/0135188 A1* 5/2014 Huang A63B 21/4033
482/132
2015/0321041 A1* 11/2015 Stephan A63B 21/4035
482/132
2016/0045782 A1* 2/2016 Wong A63B 23/0211
482/132
2020/0023233 A1* 1/2020 Skaroupka A63B 21/4035

OTHER PUBLICATIONS

Youtube, "Syntus 6_in_1 AB Wheel Roller Set", Apr. 22, 2020.
<https://www.youtube.com/watch?v=aP2fN1deFNk>. Shown at the
0:08 minute mark. (Year: 2020).*

* cited by examiner

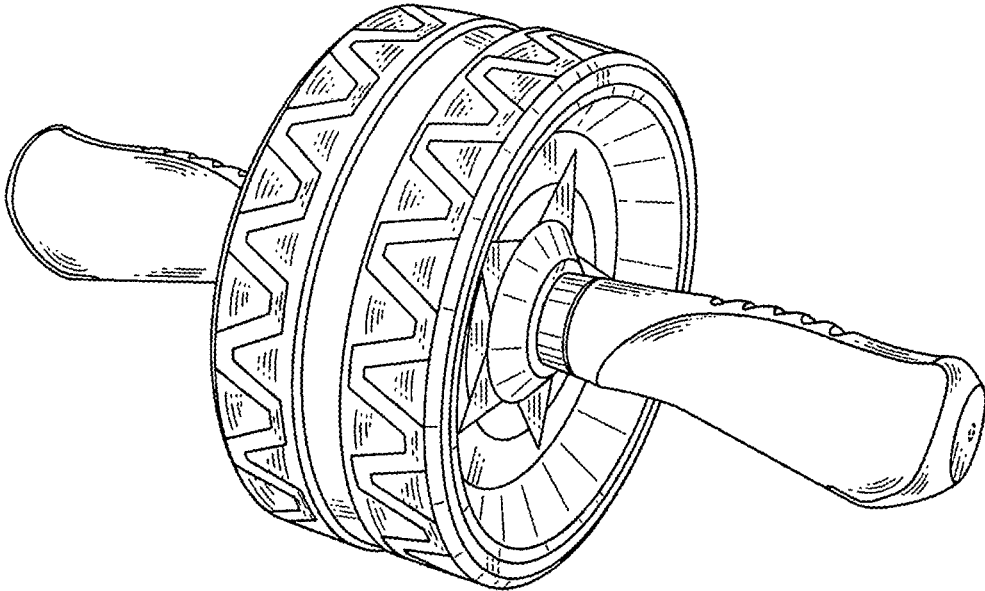


FIG.1

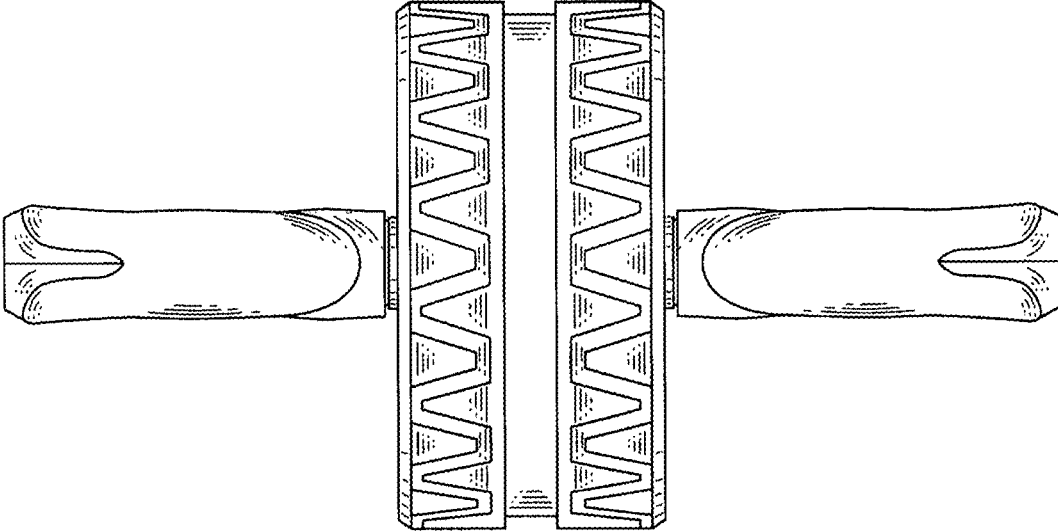


FIG.2

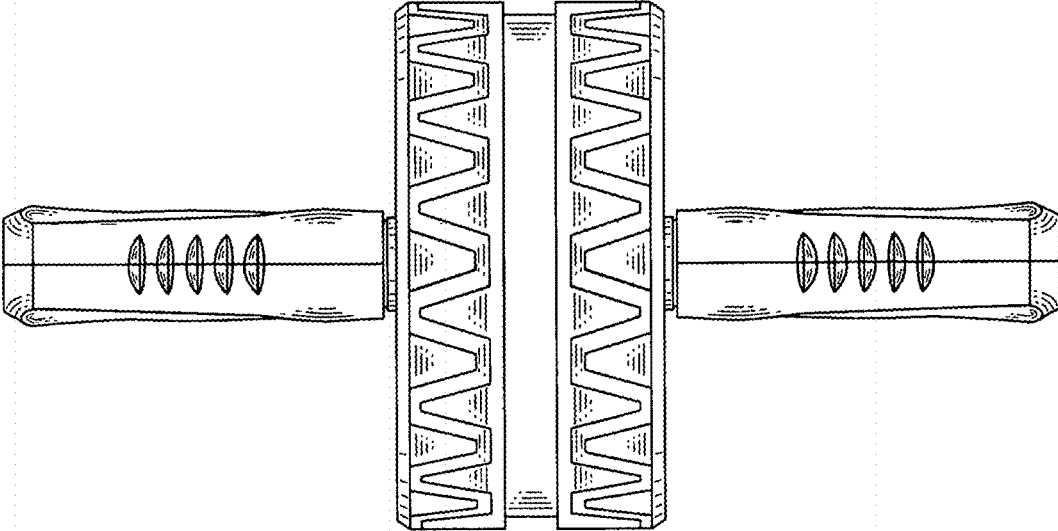


FIG.3

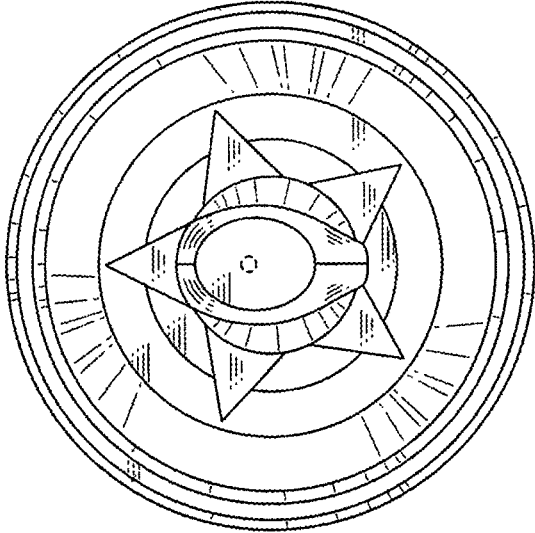


FIG.4

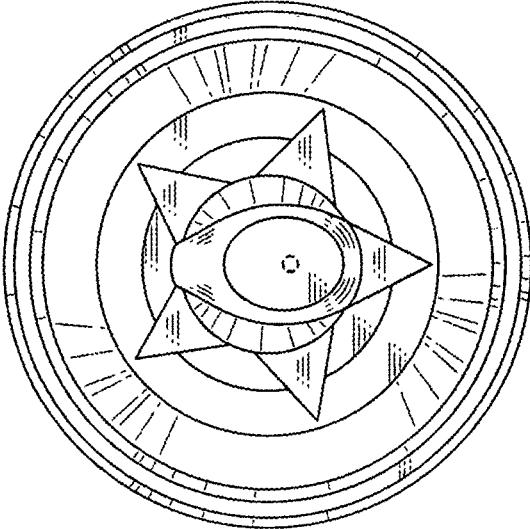


FIG.5

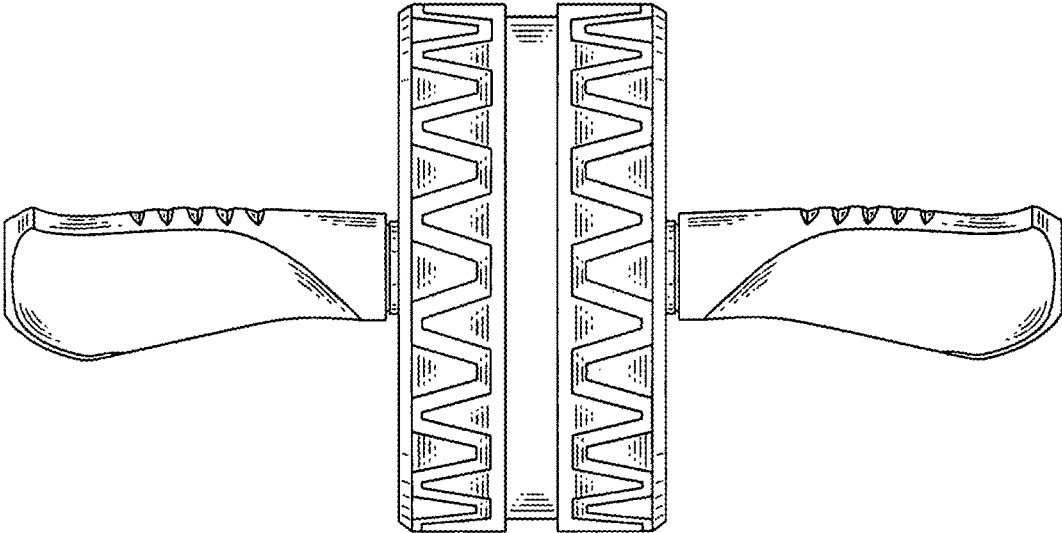


FIG.6

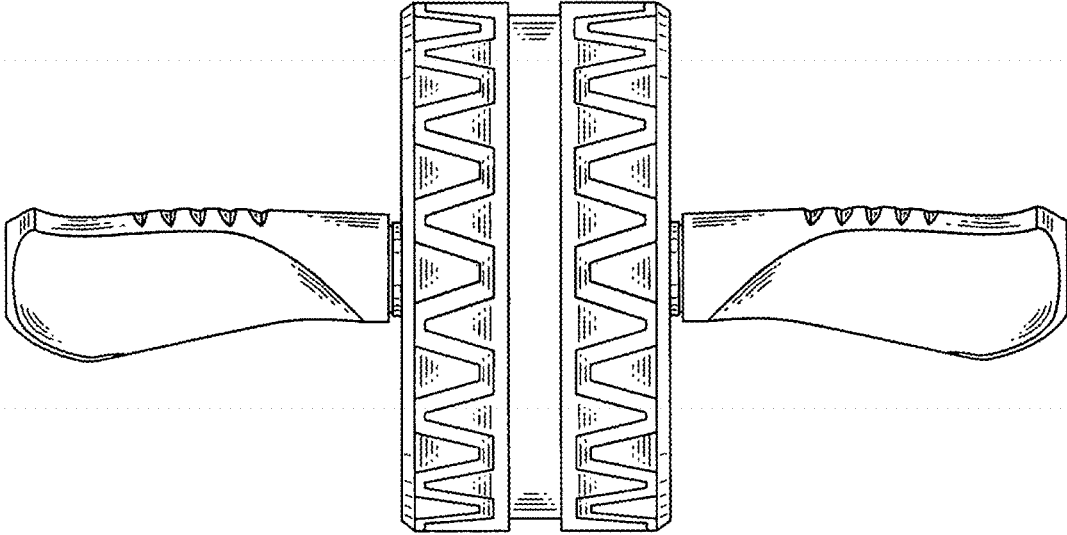


FIG.7