



(12) **United States Design Patent**  
**Park et al.**

(10) **Patent No.:** **US D946,853 S**  
(45) **Date of Patent:** **\*\* Mar. 22, 2022**

(54) **IRONING BOARD**

FOREIGN PATENT DOCUMENTS

(71) Applicant: **LG ELECTRONICS INC.**, Seoul (KR)  
(72) Inventors: **Kyutae Park**, Seoul (KR); **Jaecil Bae**, Seoul (KR); **Kyungah Lee**, Seoul (KR); **Hoil Jeon**, Seoul (KR); **Youngsoo Ha**, Seoul (KR)

GB	3008808	*	8/2003
JP	D1178475	*	7/2003
KR	301125776.0000	*	9/2001
WO	D206411-001	*	8/2021
WO	D206451-001	*	8/2021

(73) Assignee: **LG ELECTRONICS INC.**, Seoul (KR)

OTHER PUBLICATIONS

(\*\*) Term: **15 Years**

Giantex Top Loading Water Dispenser with storage cabinet, available in Amazon.com, date 1st available Sep. 8, 2016 [online], [site visited Sep. 8, 2021], Available from the internet URL: [https://www.amazon.com/Giantex-Loading-Dispenser-Temperature-Electric/dp/B0732HQL7X/ref=cm\\_cr\\_ar\\_p\\_d\\_product\\_top?ie=UTF8](https://www.amazon.com/Giantex-Loading-Dispenser-Temperature-Electric/dp/B0732HQL7X/ref=cm_cr_ar_p_d_product_top?ie=UTF8) (Year: 2016).\*

(21) Appl. No.: **29/724,732**

(Continued)

(22) Filed: **Feb. 19, 2020**

*Primary Examiner* — Dana K Weiland  
*Assistant Examiner* — Jennylou M Binas

(30) **Foreign Application Priority Data**

(74) *Attorney, Agent, or Firm* — Birch, Stewart, Kolasch & Birch, LLP

Aug. 20, 2019 (KR) ..... 30-2019-0039785

(51) **LOC (13) Cl.** ..... **07-05**

(52) **U.S. Cl.**  
USPC ..... **D32/66**

(57) **CLAIM**

(58) **Field of Classification Search**  
USPC ..... D32/6, 9, 35, 60, 66, 67; D21/526; D6/691.1, 691.3, 691.4, 559, 663, 668  
CPC ..... A47B 39/06; D06F 81/00; D06F 81/003; D06F 81/006; D06F 81/02; D06F 81/04; D06F 81/06; D06F 81/08; D06F 81/12; D06F 83/00; Y10S 38/02; Y10S 38/03; Y10T 292/305  
See application file for complete search history.

We claim the ornamental design for an ironing board, as shown and described.

**DESCRIPTION**

(56) **References Cited**

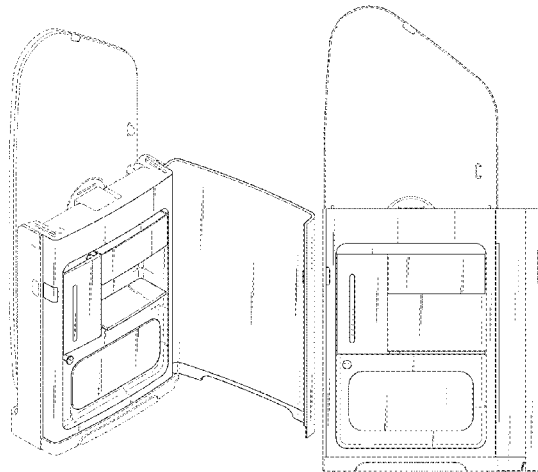
U.S. PATENT DOCUMENTS

D47,601 S *	7/1915	Labadie	.....	D3/274
2,523,425 A *	9/1950	Gargaglione	.....	A47B 77/10
				108/13
D334,491 S *	4/1993	Poland	.....	D6/663
D367,196 S *	2/1996	Mashal	.....	D6/559
D374,364 S *	10/1996	Morris	.....	D6/559

FIG. 1 is a perspective view of an ironing board showing the new design;  
FIG. 2 is a front elevation view thereof;  
FIG. 3 is a rear elevation view thereof;  
FIG. 4 is a left-side elevation view thereof;  
FIG. 5 is a right-side elevation view thereof;  
FIG. 6 is a top plan view thereof; and,  
FIG. 7 is a bottom plan view thereof.  
The parts of the ironing board shown by means of broken lines in the drawing figures are not part of the claimed design.

(Continued)

**1 Claim, 7 Drawing Sheets**



(56)

**References Cited**

## U.S. PATENT DOCUMENTS

D413,699	S	*	9/1999	Evans	.....	D32/37
D476,782	S	*	7/2003	Huddleston	.....	D32/6
D497,069	S	*	10/2004	Aisley	.....	D6/559
D543,671	S	*	5/2007	Chu	.....	D32/66
D543,672	S	*	5/2007	Chu	.....	D32/66
D545,103	S	*	6/2007	Shapiro	.....	D6/559
D638,592	S	*	5/2011	Suh	.....	D32/8
D732,771	S	*	6/2015	Chung	.....	D32/25
D836,271	S	*	12/2018	Chung	.....	D32/6
D936,320	S	*	11/2021	Bae	.....	D32/66

## OTHER PUBLICATIONS

ImPress Ironing Station, announced 2002 [online], [site visited Sep. 13, 2021], Available from the internet, URL: <[https://applianceassistant.com/ServiceManuals/8178203\\_I-73\\_whirlpool\\_impress\\_ironing\\_station.pdf](https://applianceassistant.com/ServiceManuals/8178203_I-73_whirlpool_impress_ironing_station.pdf)> (Year: 2002).\*

Boahaus 5202 Ironing Board Cabinet Assembly, announced in YouTube on Oct. 4, 2018 [online], [site visited Sep. 13, 2021], Available from the internet URL: <https://www.youtube.com/watch?v=x9ZPL1KPJMM> (Year: 2018).\*

Miele B 3312 FashionMaster Ironing Station, available in Amazon.de, date first available Sep. 30, 2016 [online], [site visited Sep. 13, 2021], Available from the internet URL: [https://www.amazon.de/Miele-3312-FashionMaster-Dampfb%C3%BCgelsystem-Wabensohle/dp/B01LIT41EM?ref\\_=ast\\_sto\\_dp](https://www.amazon.de/Miele-3312-FashionMaster-Dampfb%C3%BCgelsystem-Wabensohle/dp/B01LIT41EM?ref_=ast_sto_dp) (Year: 2016).\*

10 Best Ironing Boards to Buy in 2021, available in [www.goodhousekeeping.com](http://www.goodhousekeeping.com), announced May 24, 2021 [online], [site visited Nov. 16, 2020], Internet URL: <https://www.goodhousekeeping.com/home-products/g36343446/best-ironing-board/> (Year: 2021).\*  
KAPAS Adjustable Garment Steamer, available in [freestuff.cafe](http://freestuff.cafe), announced May 5, 2021 [online], [site visited Sep. 9, 2021], URL: <https://freestuff.cafe/deals/kapas-adjustable-garment-steamer-accessories-for-clothes-build-in-rotatable-ironing-board-211-water-tank-8-ironing-options-for-different-clothes/> (Year: 2021).\*

\* cited by examiner

FIG. 1

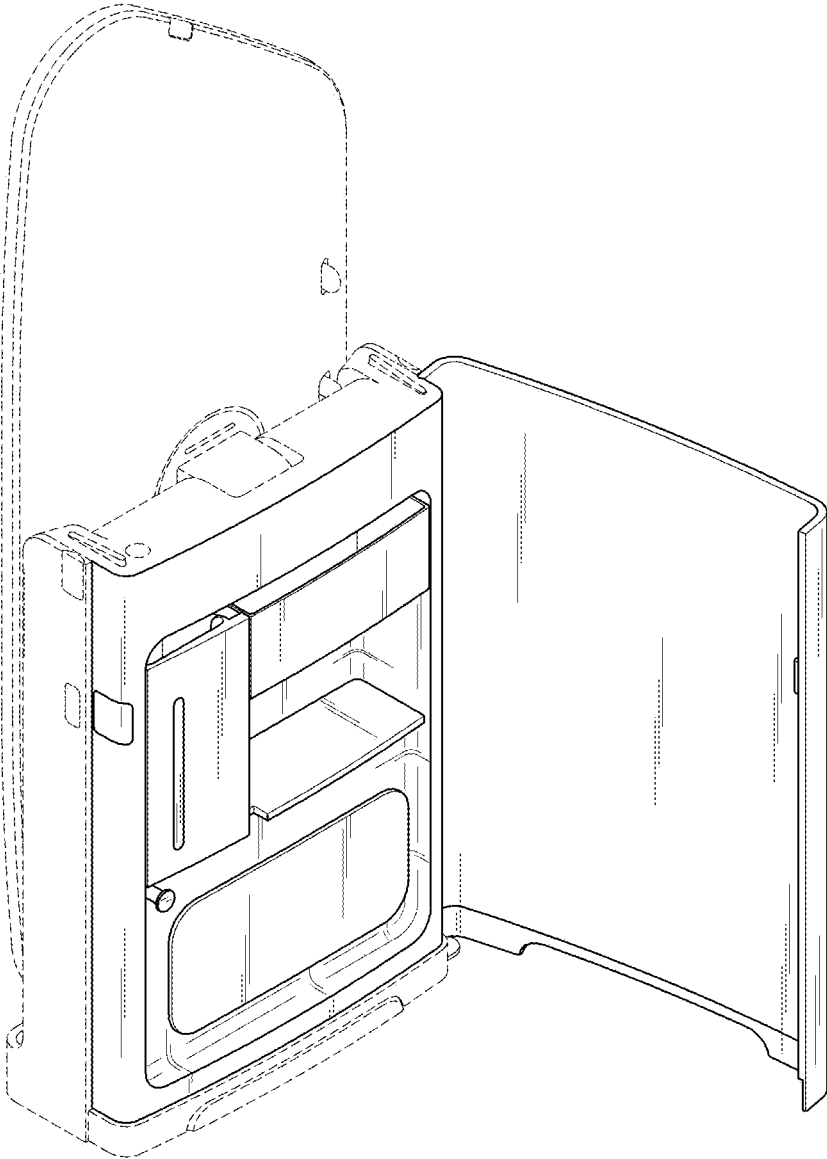
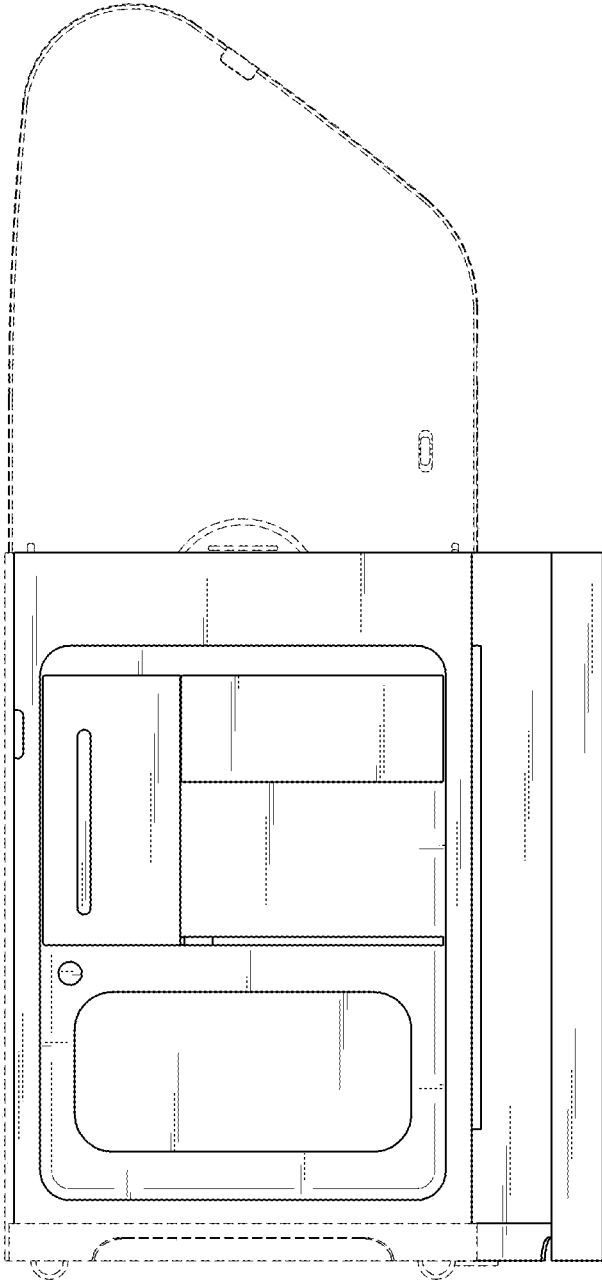


FIG. 2



*FIG. 3*

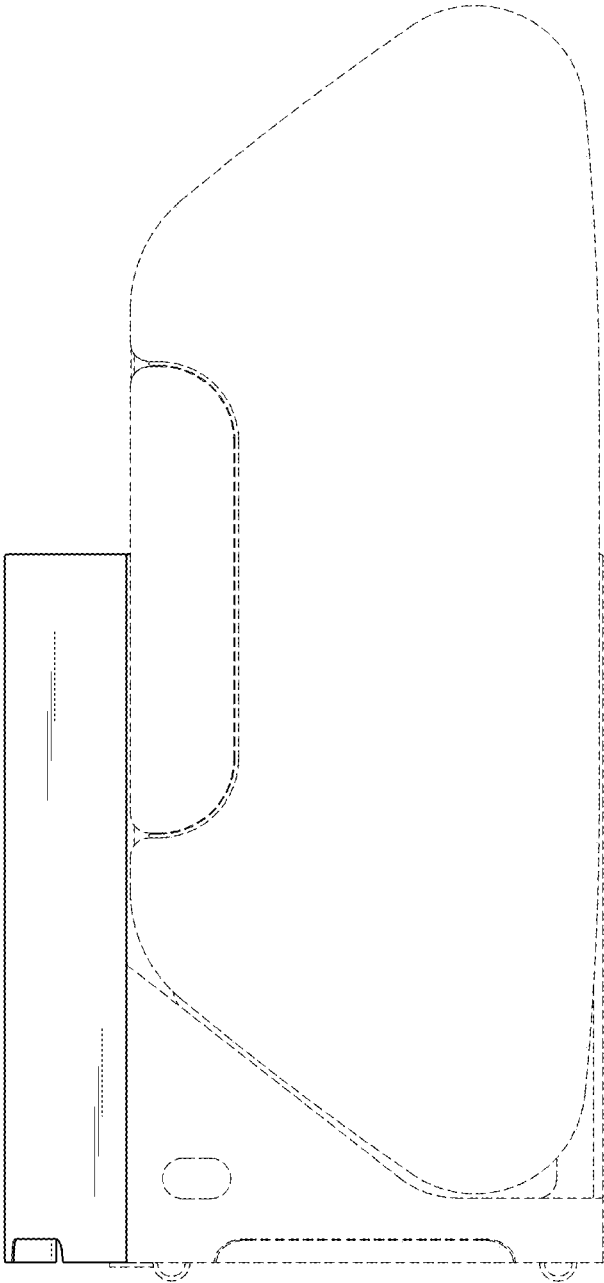


FIG. 4

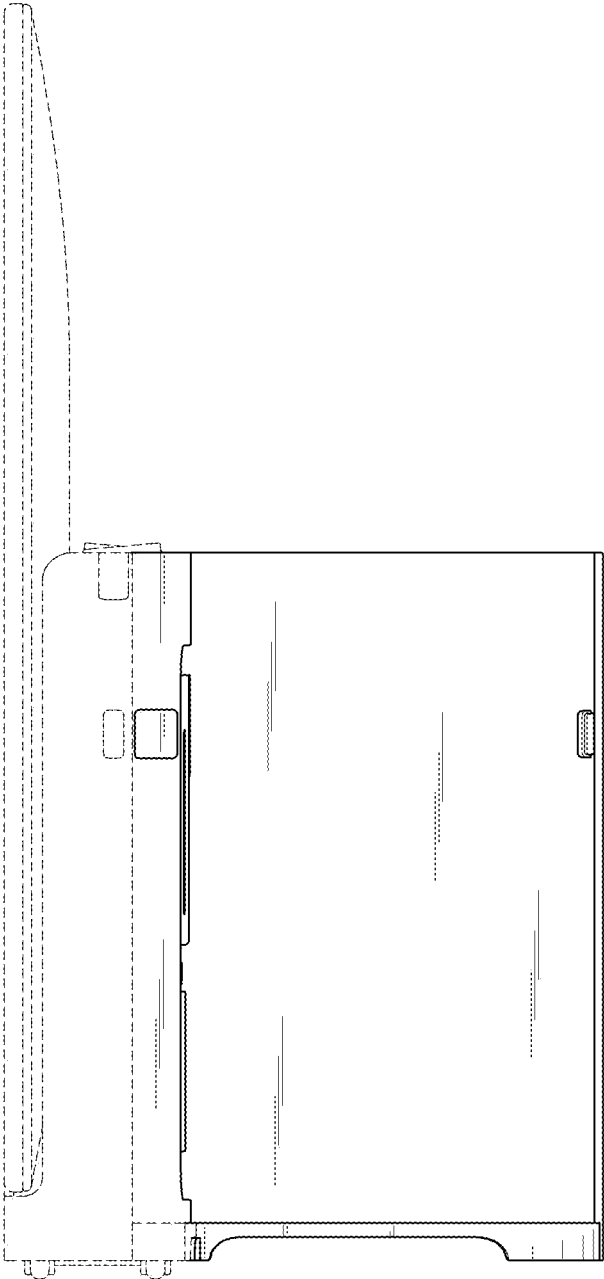
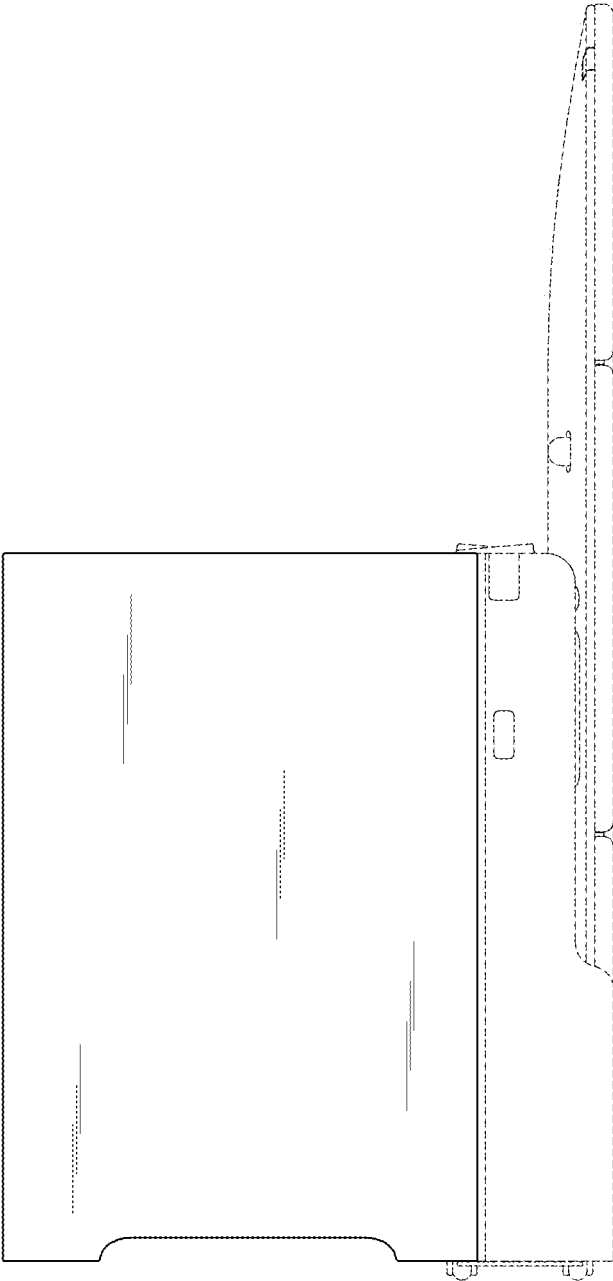


FIG. 5



*FIG. 6*

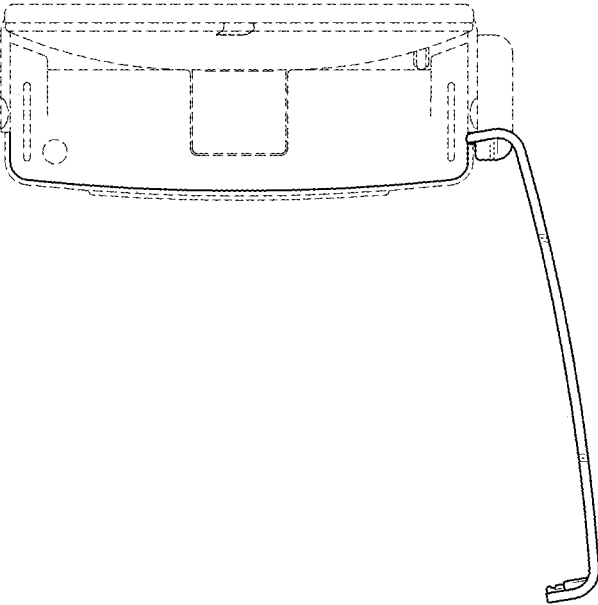




FIG. 7

