



US00D437181S

(12) **United States Design Patent** (10) **Patent No.:** **US D437,181 S**  
**Park** (45) **Date of Patent:** **\*\* Feb. 6, 2001**

(54) **OVAL CHAFER UNIT**

(75) Inventor: **Chang Su Park**, Inchon (KR)

(73) Assignee: **Chang Shin Metal Company** (KR)

(\*\*) Term: **14 Years**

(21) Appl. No.: **29/105,384**

(22) Filed: **May 23, 1999**

(51) **LOC (7) Cl.** ..... **07-02**

(52) **U.S. Cl.** ..... **D7/355**

(58) **Field of Search** ..... D7/354-361, 366;  
219/385, 386, 429, 438, 520, 620, 621,  
622; 99/324; 220/573.1, 252

(56) **References Cited**

**U.S. PATENT DOCUMENTS**

D. 35,501	*	12/1901	Savage et al.	.....	D7/366
D. 38,423	*	1/1907	Gutermann	.....	D7/366
D. 150,157	*	7/1948	O'Connell	.....	D7/366
D. 176,993	*	2/1956	O'Connell	.....	D7/366
D. 318,975	*	8/1991	Thurlow	.....	D7/355
D. 318,976	*	8/1991	Thurlow	.....	D7/355

\* cited by examiner

*Primary Examiner*—Caron D. Veynar

(74) *Attorney, Agent, or Firm*—Foley & Lardner

(57) **CLAIM**

The ornamental design for an oval chafar unit, as shown and described.

**DESCRIPTION**

FIG. 1 is a perspective view of an oval chafar unit showing my new design;

FIG. 2 is a front view of the oval chafar unit shown in FIG. 1;

FIG. 3 is a right side view of the oval chafar unit shown in FIG. 1;

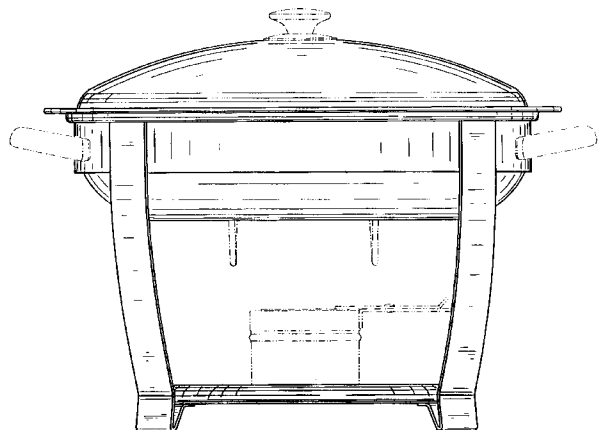
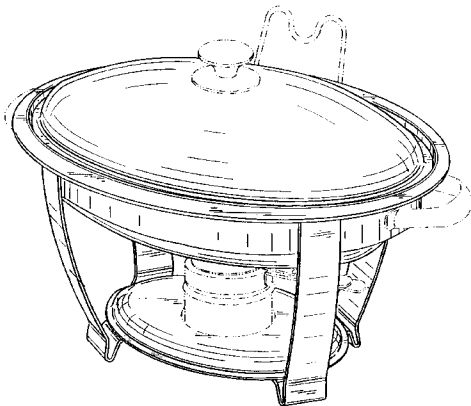
FIG. 4 is a back view of the oval chafar unit shown in FIG. 1;

FIG. 5 is a left side view of the oval chafar unit shown in FIG. 1; and,

FIG. 6 is a top view of the oval chafar unit shown in FIG. 1.

The broken line disclosure is for illustrative purposes only and forms no part of the claim design.

**1 Claim, 6 Drawing Sheets**



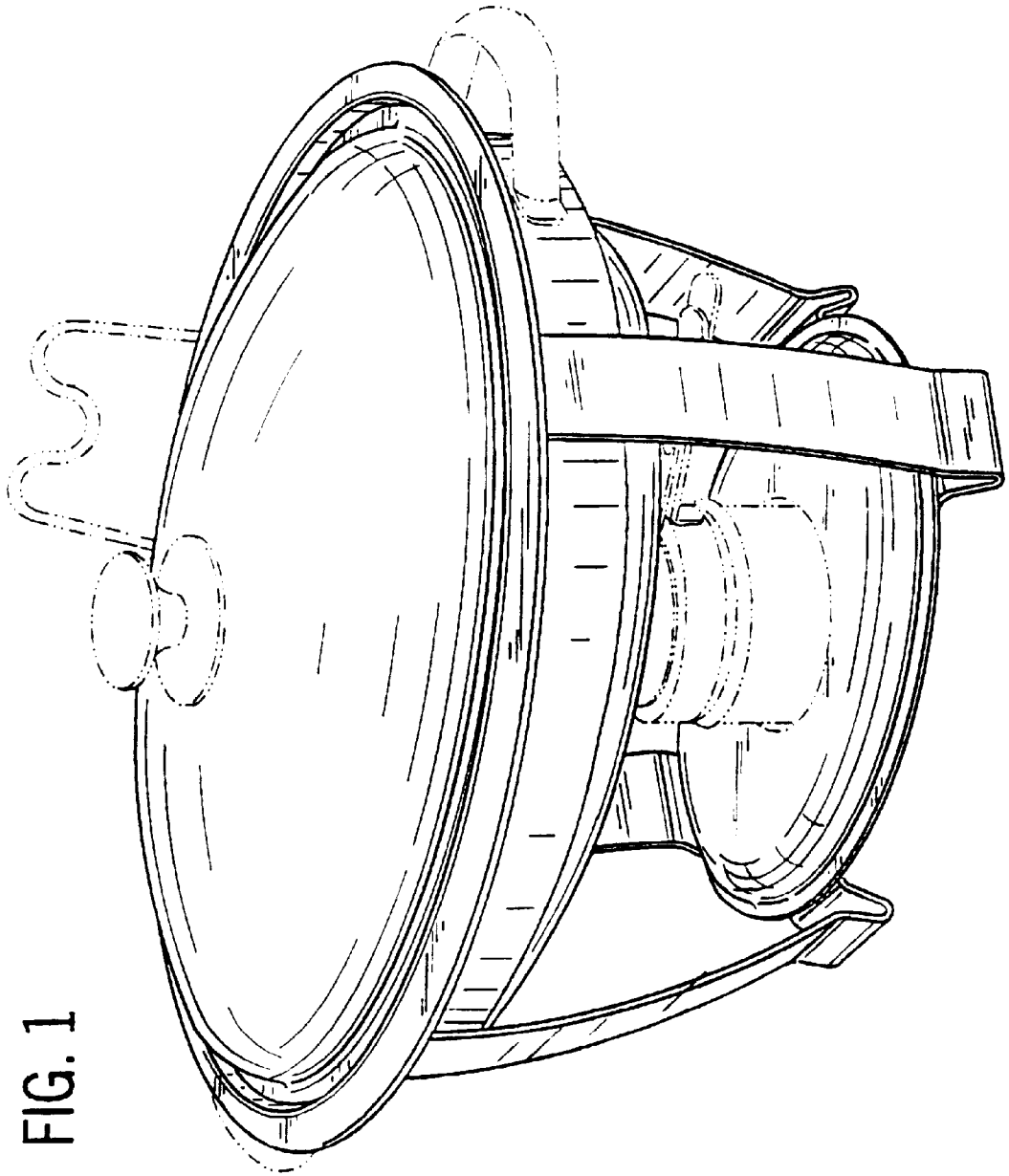


FIG. 1

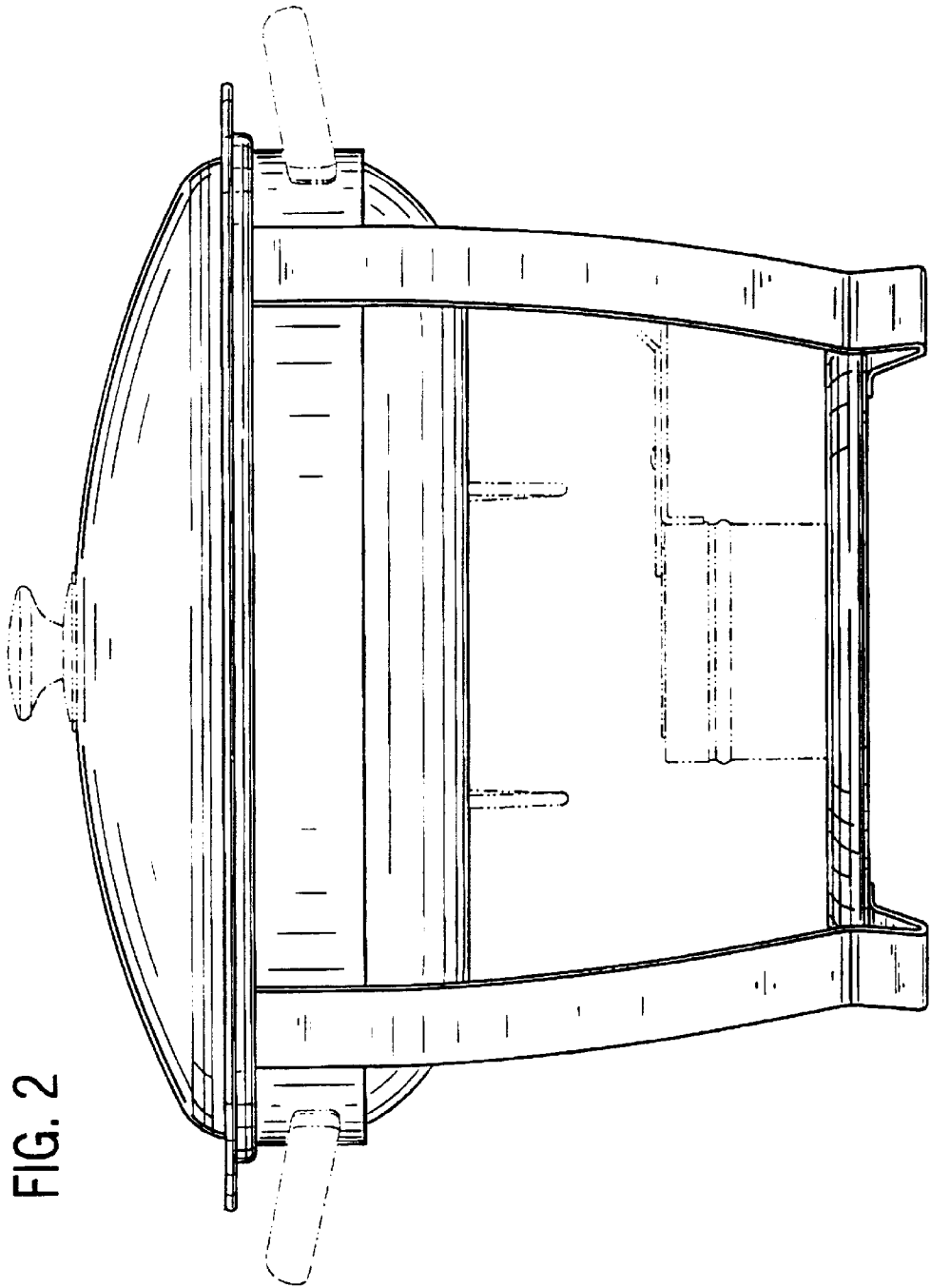


FIG. 2

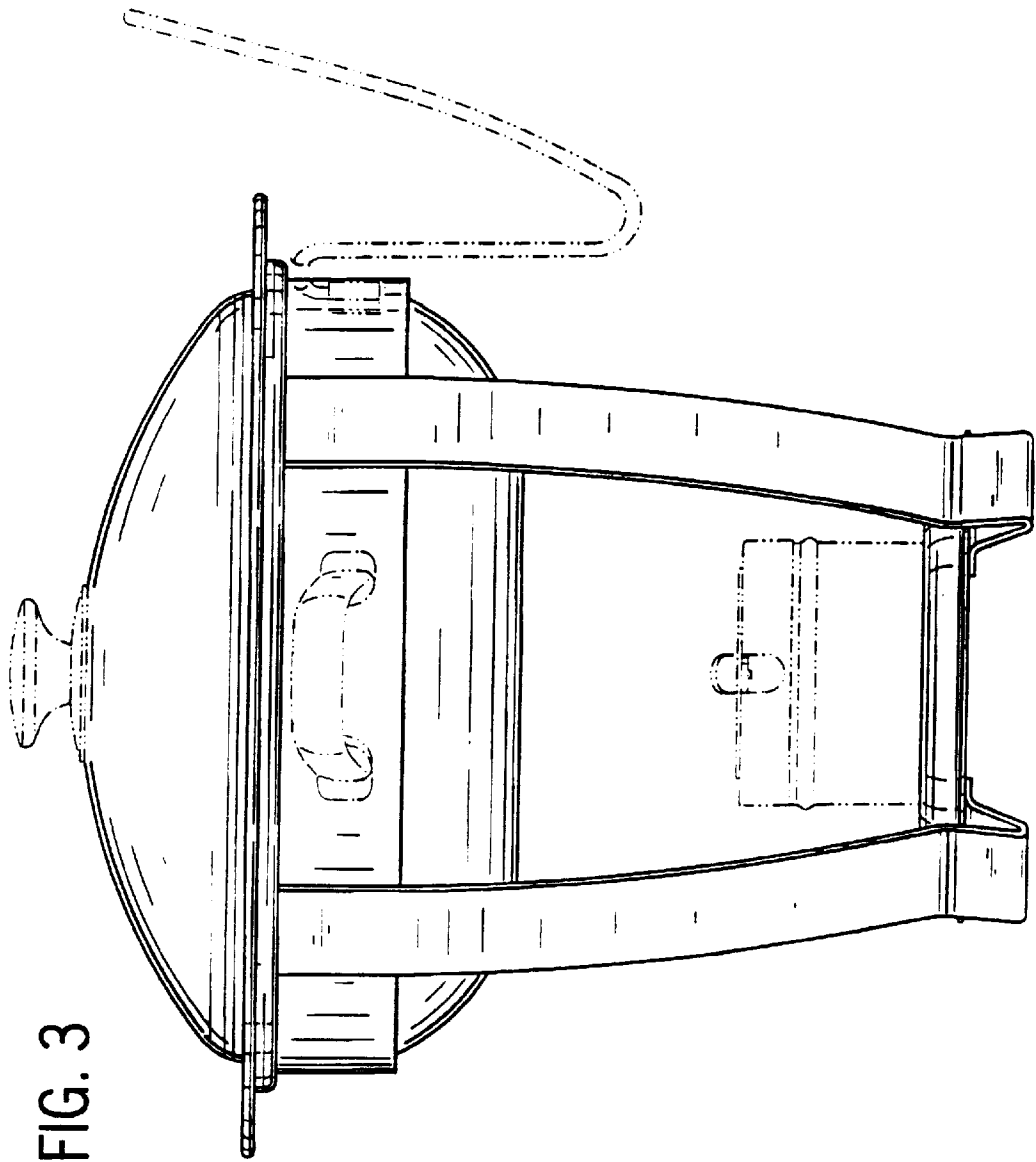


FIG. 3

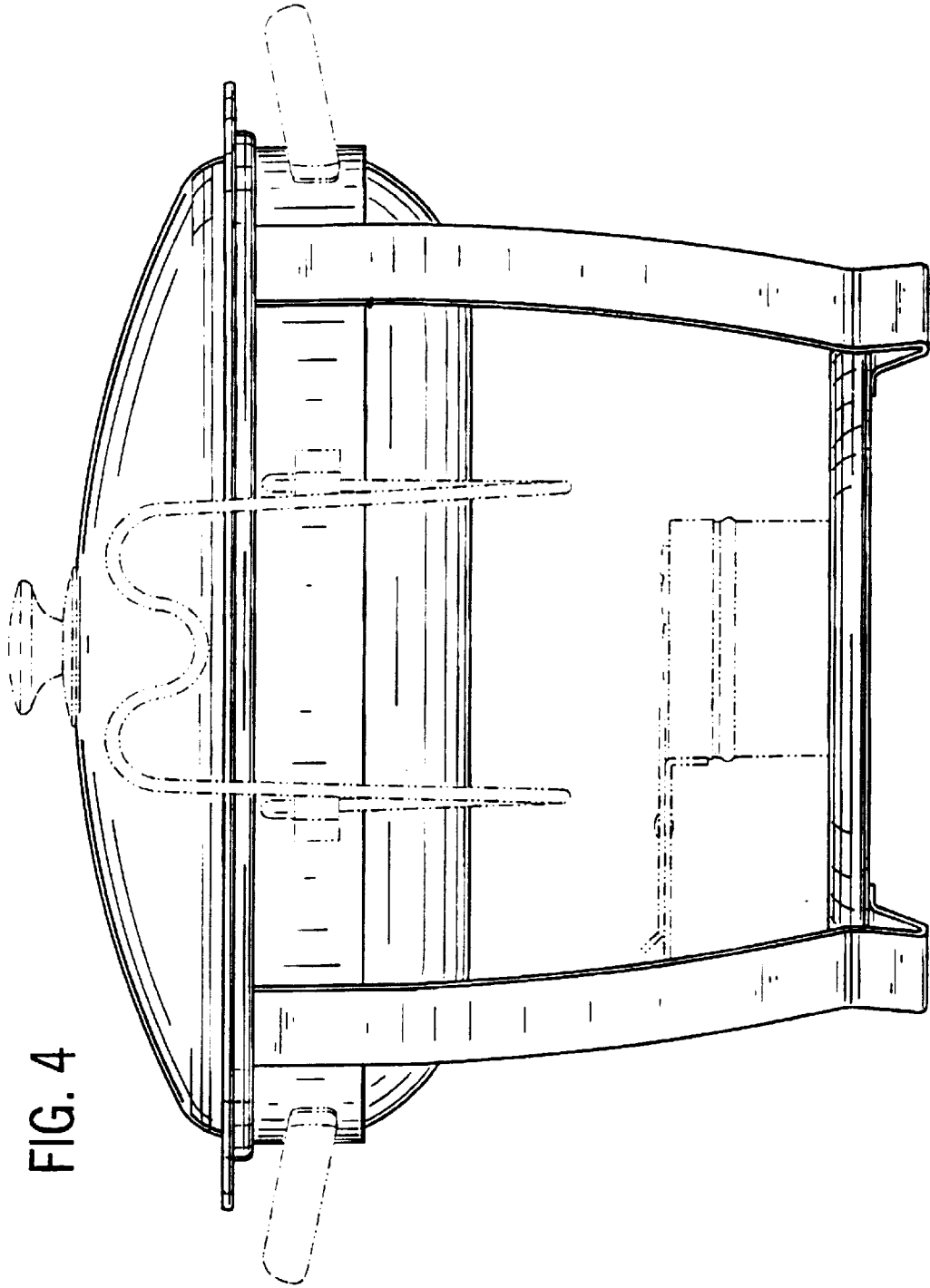
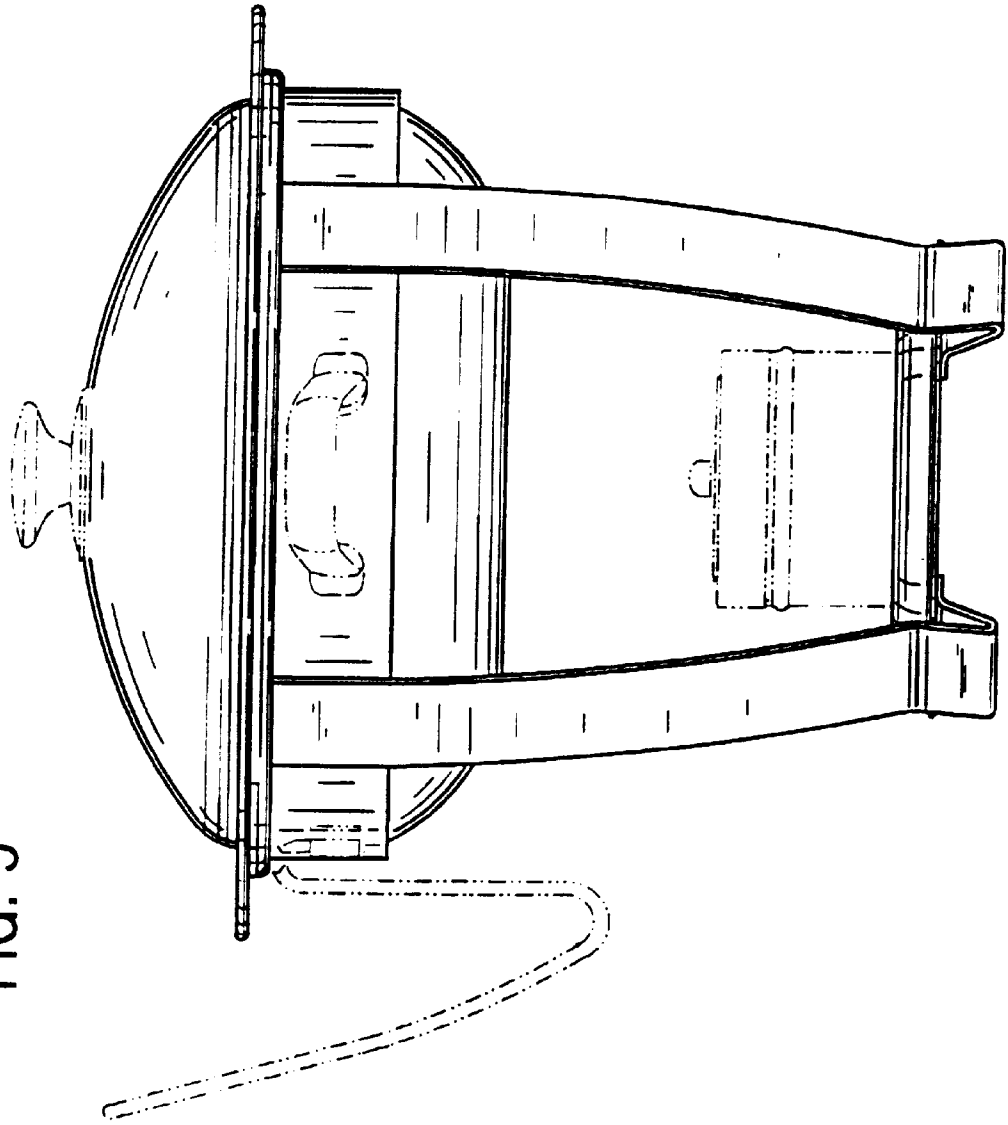


FIG. 4

FIG. 5



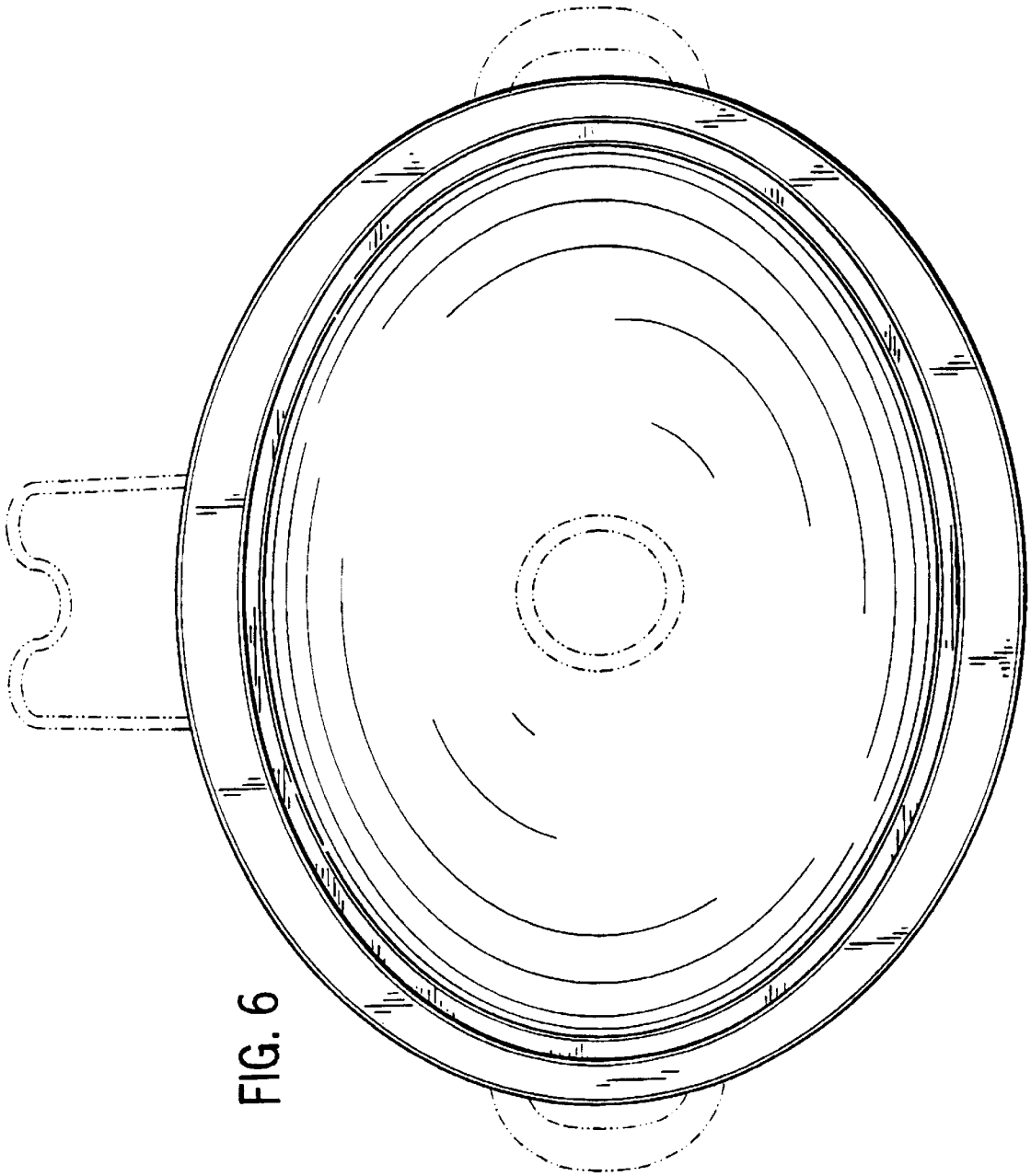


FIG. 6