



US00D647303S

(12) **United States Design Patent**
Mish et al.

(10) **Patent No.:** **US D647,303 S**

(45) **Date of Patent:** **** Oct. 25, 2011**

(54) **WATERPROOF PROTECTIVE COVER FOR
EREADER**

D592,398 S * 5/2009 Roesler D3/294
* cited by examiner

(76) Inventors: **Patrick Mish**, Odenton, MD (US); **Jim
Ward**, Ashburn, VA (US); **Adam
Ashley**, Odenton, MD (US)

Primary Examiner — Holly Baynham
(74) *Attorney, Agent, or Firm* — Dresch IP Law, PLLC; John
J. Dresch

(**) Term: **14 Years**

(57) **CLAIM**

(21) Appl. No.: **29/362,906**

The ornamental design for a waterproof protective cover for
ereader, as shown and described.

(22) Filed: **Jun. 2, 2010**

DESCRIPTION

(51) **LOC (9) Cl.** **03-01**

(52) **U.S. Cl.** **D3/294**

(58) **Field of Classification Search** D3/272-273,
D3/282-283; 206/373, 376, 307, 223

See application file for complete search history.

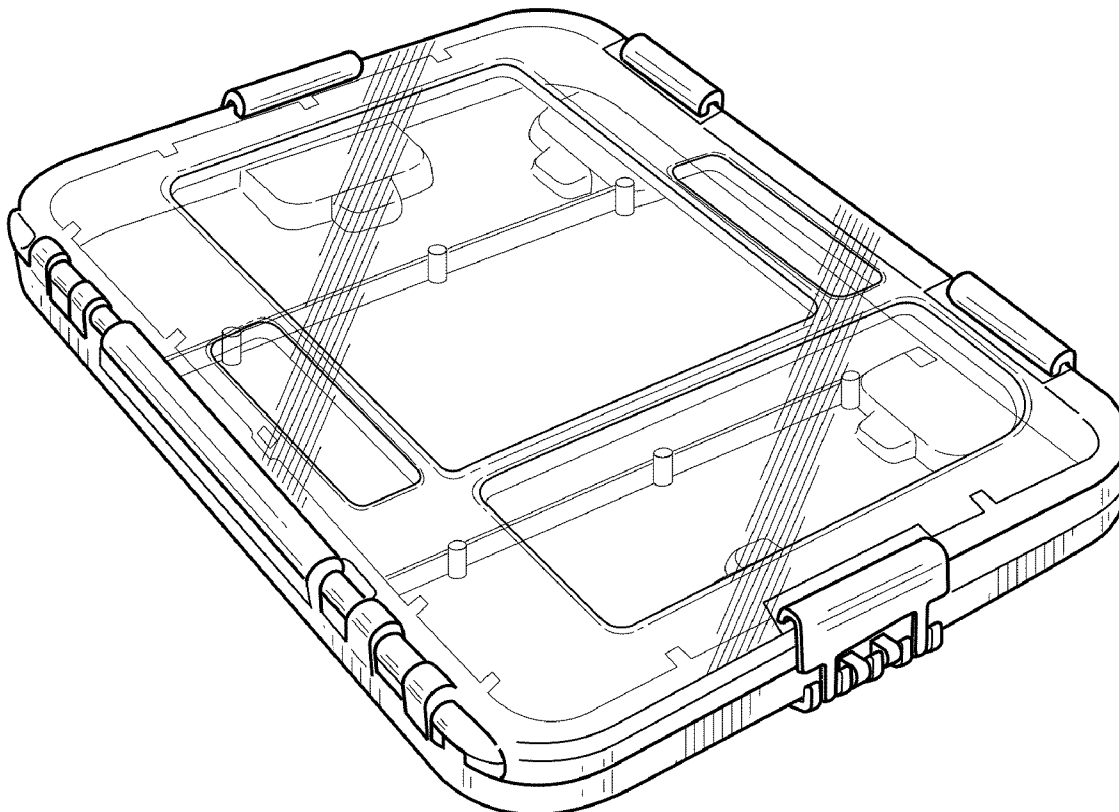
FIG. 1 is a perspective, front view of a waterproof protective
cover for ereader showing our ornamental design, those sur-
faces which are hidden [not visible] are the same as those
which are illustrated by the other figures;
FIG. 2 is a perspective, rear view thereof;
FIG. 3 is another perspective, rear view thereof;
FIG. 4 is another perspective, front view thereof;
FIG. 5 is a front view thereof; and,
FIG. 6 is another perspective, front view thereof.

(56) **References Cited**

U.S. PATENT DOCUMENTS

D250,433 S * 11/1978 Malcolm D3/282
D474,599 S * 5/2003 Shamoon D3/282
D577,912 S * 10/2008 Sween et al. D3/282

1 Claim, 6 Drawing Sheets



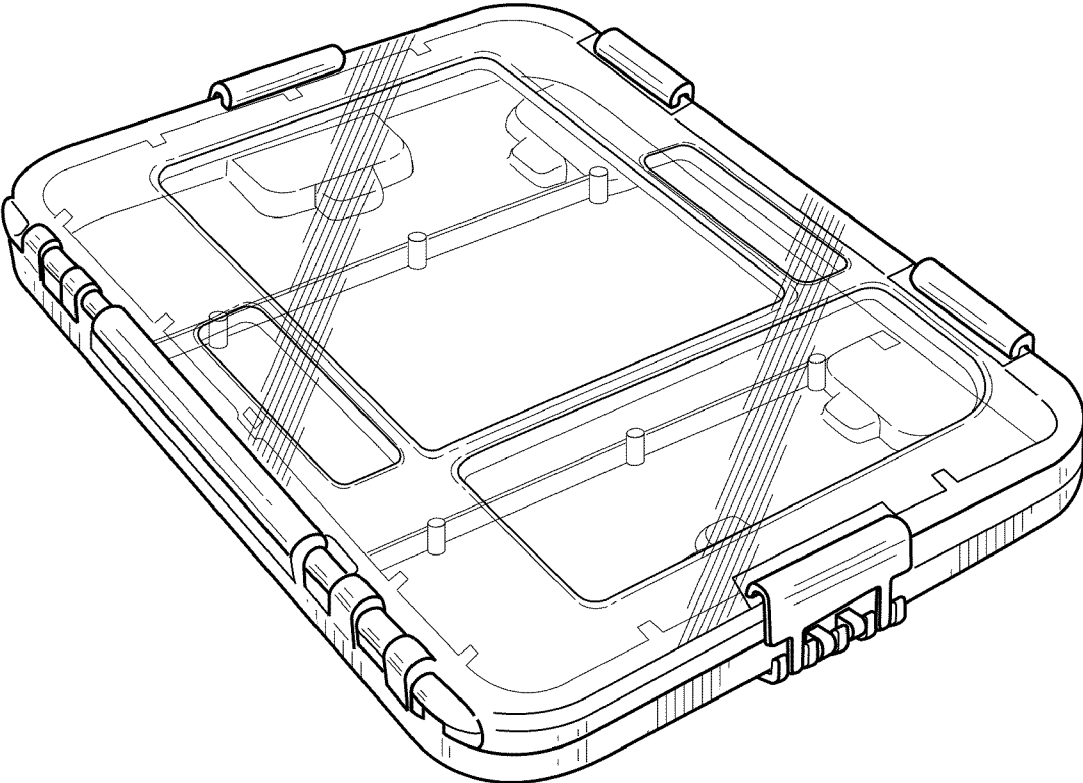


FIG. 1

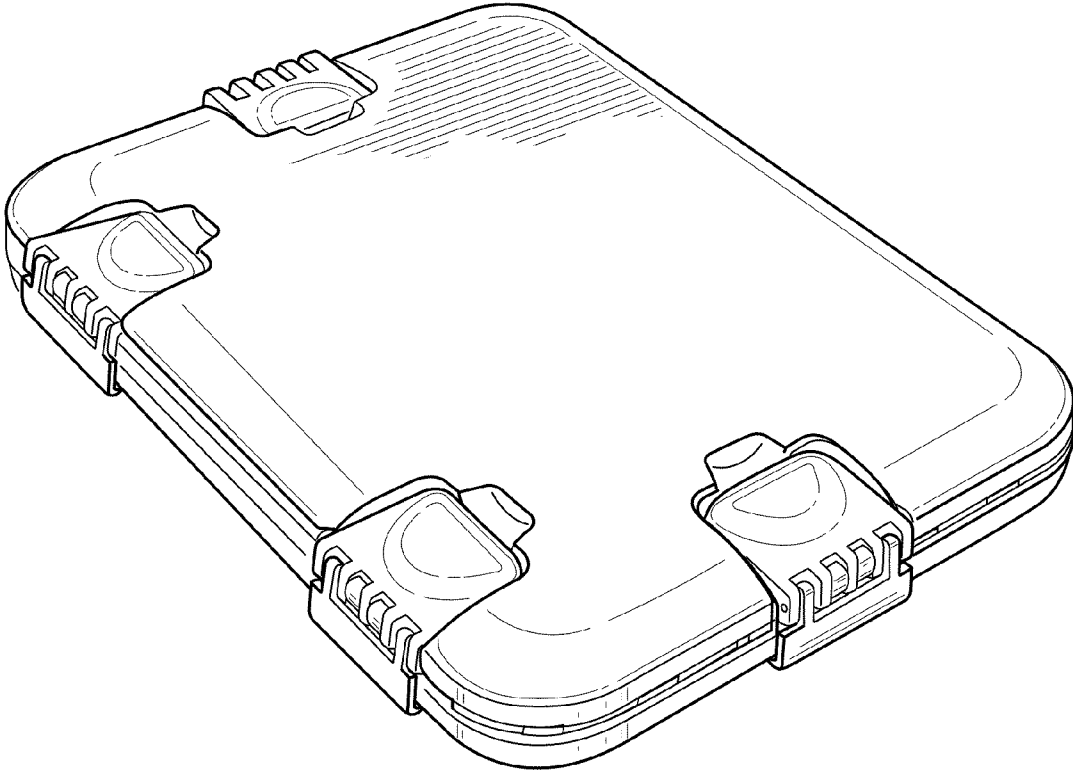


FIG. 2

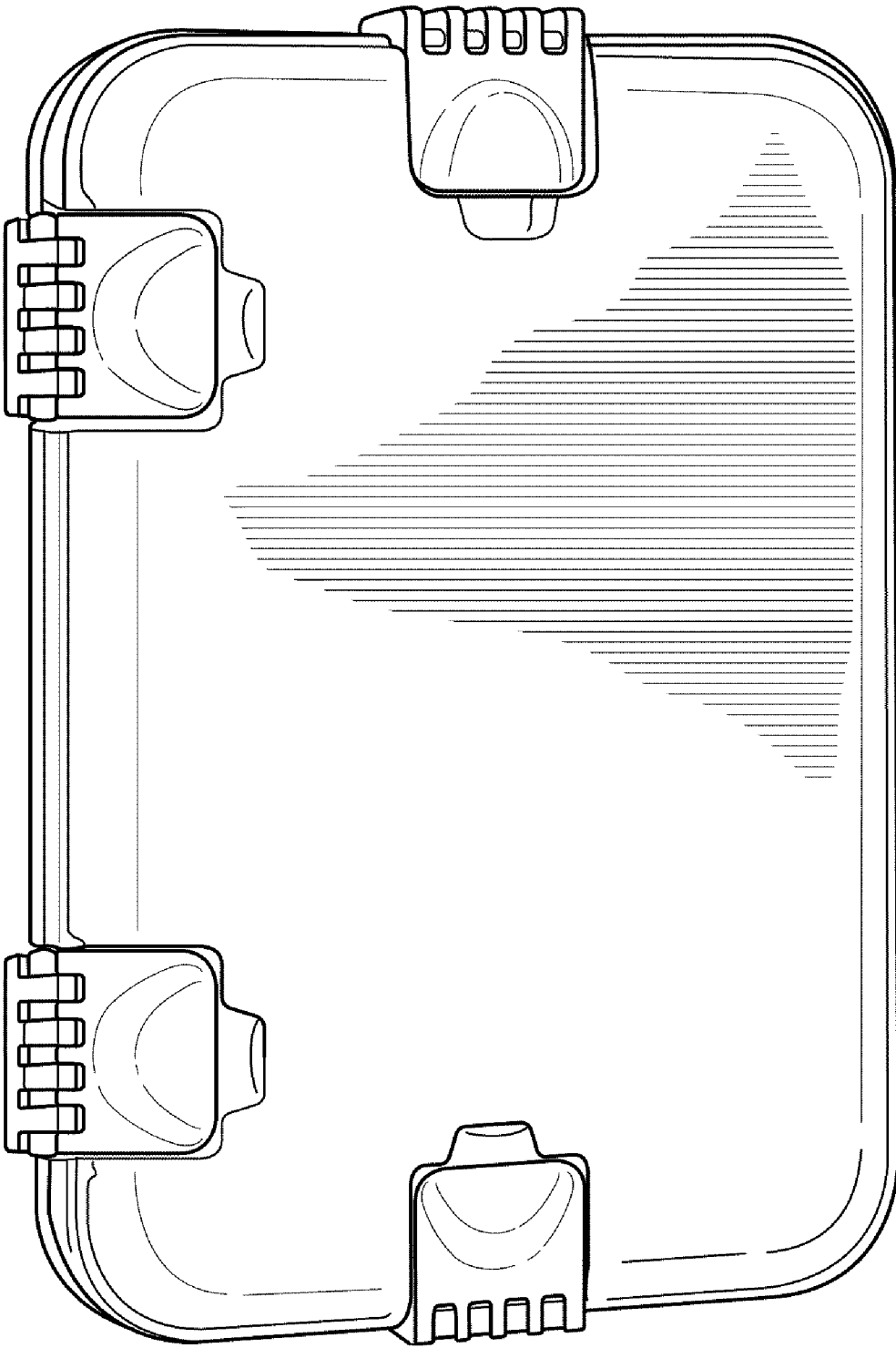


FIG. 3

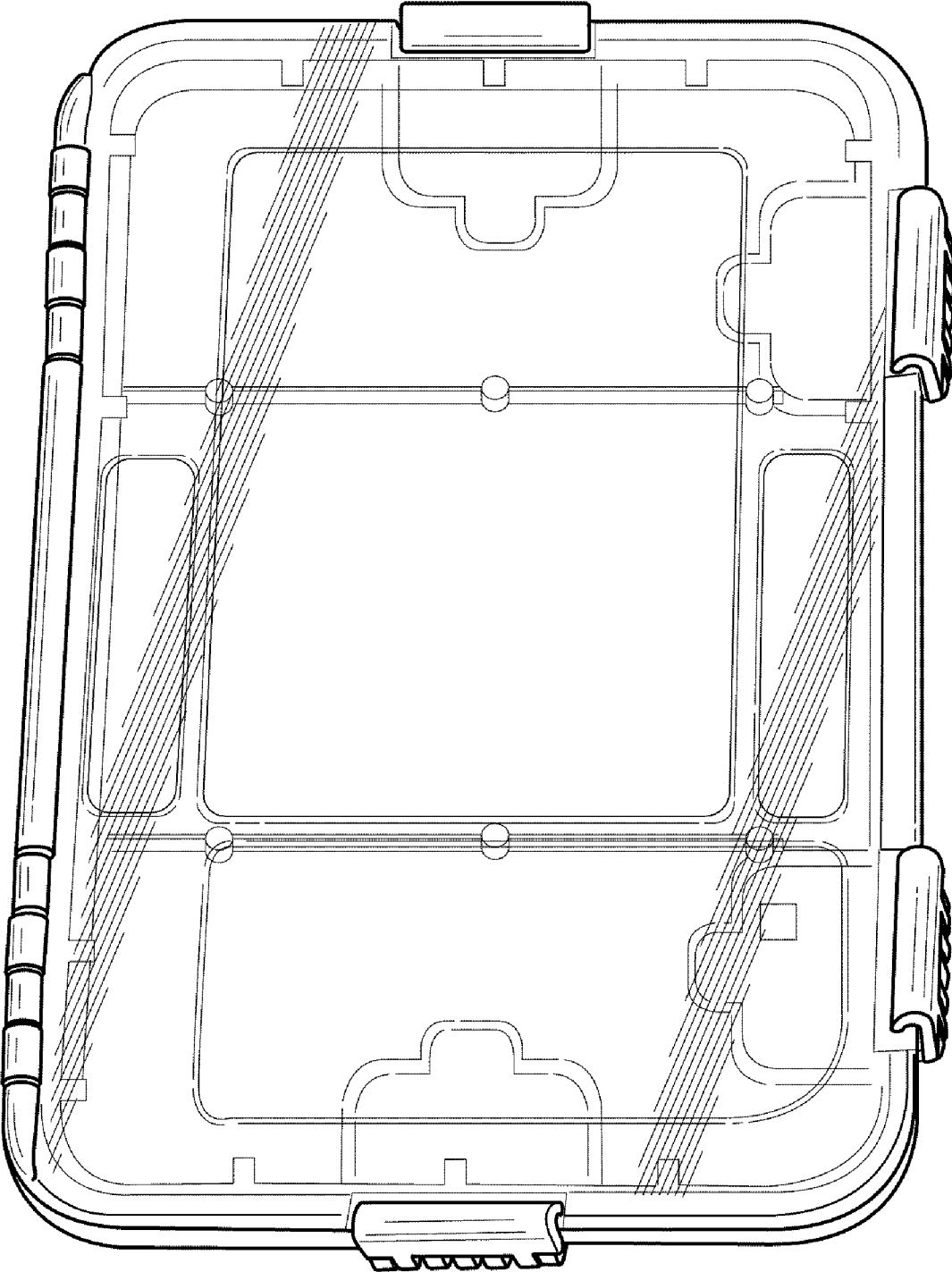


FIG. 4

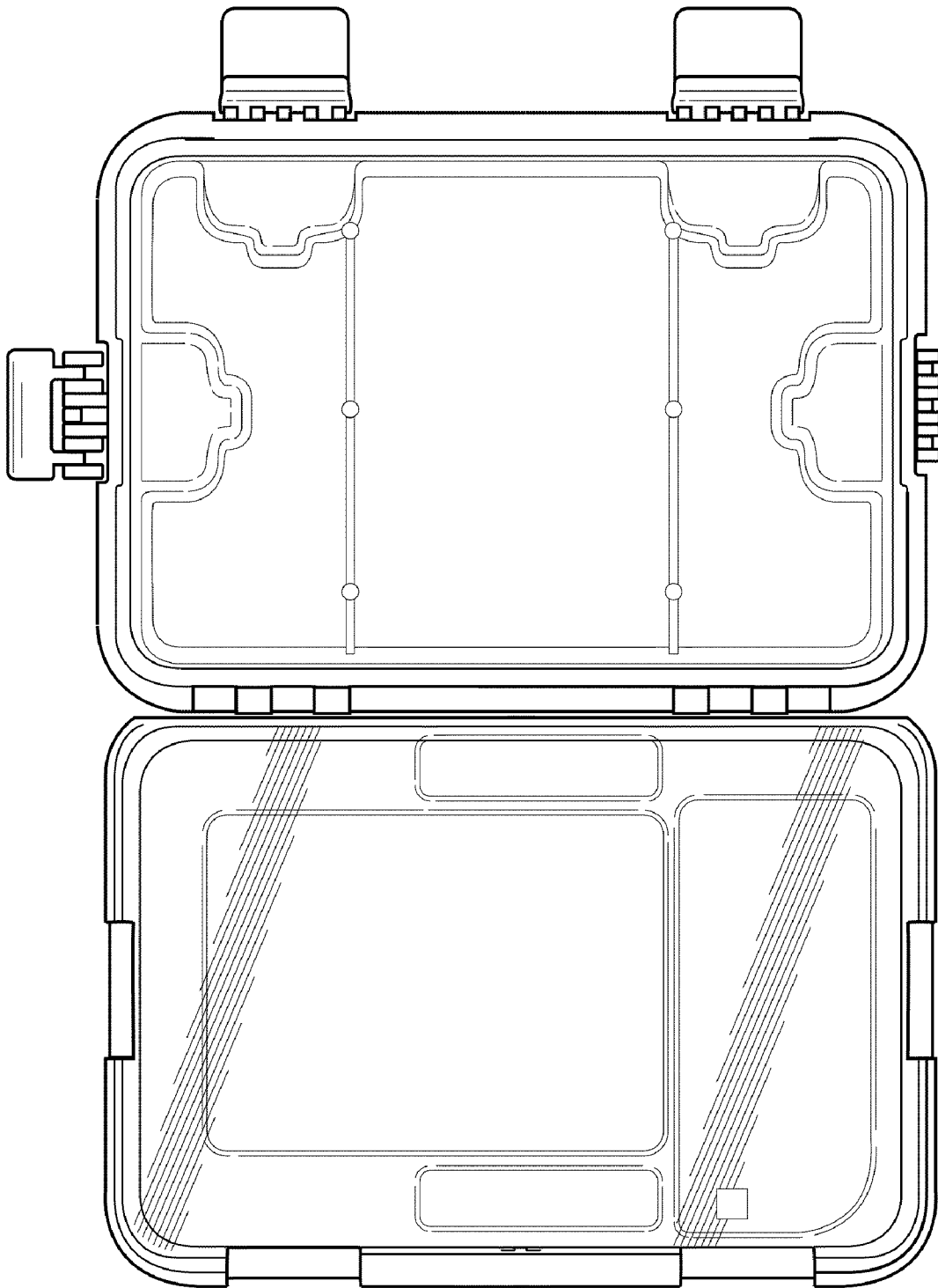


FIG. 5

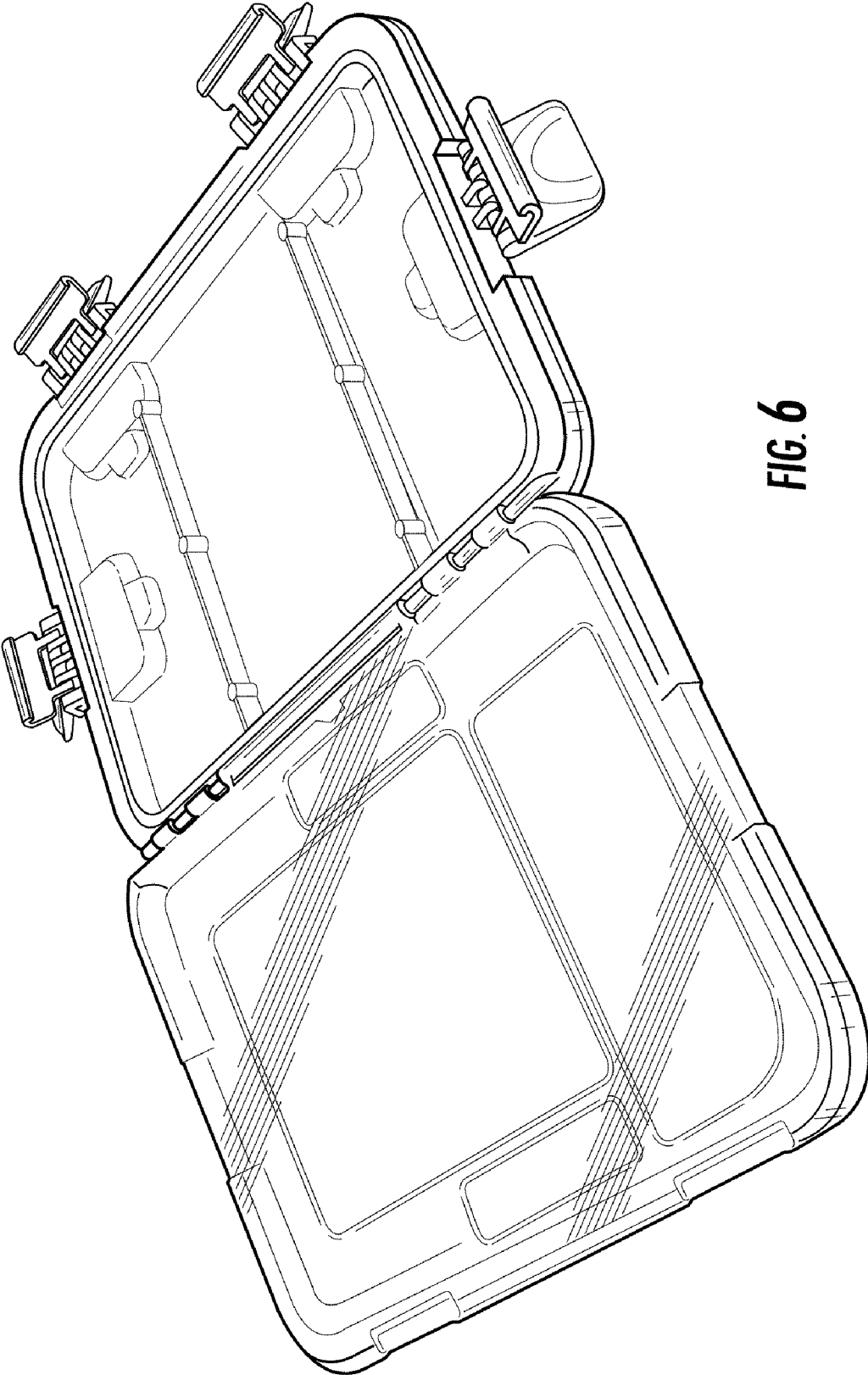


FIG. 6