



US0D1036967S

(12) **United States Design Patent**  
**Newman**

(10) **Patent No.:** **US D1,036,967 S**

(45) **Date of Patent:** **\*\* Jul. 30, 2024**

(54) **BASE PLATE OF A MOBILE STACKABLE TOWER**

(71) Applicant: **Gerald W. Newman**, Spangle, WA (US)

(72) Inventor: **Gerald W. Newman**, Spangle, WA (US)

(\*\*) Term: **15 Years**

(21) Appl. No.: **29/878,555**

(22) Filed: **Jun. 23, 2023**

**Related U.S. Application Data**

(63) Continuation of application No. 29/735,387, filed on May 20, 2020, now Pat. No. Des. 991,012.

(51) **LOC (14) Cl.** ..... **08-08**

(52) **U.S. Cl.**  
USPC ..... **D8/349**

(58) **Field of Classification Search**  
USPC ..... D8/349, 354, 366, 376, 374, 375, 373, D8/377, 378; D25/68, 119, 125-136  
CPC ..... E04B 9/068; E04C 3/07; E04C 2003/046  
See application file for complete search history.

(56) **References Cited**

**U.S. PATENT DOCUMENTS**

739,282 A	9/1903	Bohn
3,482,809 A	12/1969	Mccall, Jr.
D258,718 S	3/1981	Collin et al.
D374,725 S	10/1996	Conigliaro
D375,961 S	11/1996	Kotlarek et al.
D392,753 S	3/1998	Kohlberger et al.
D427,888 S	7/2000	Hannon
D431,770 S	10/2000	Willet
D434,304 S	11/2000	Willet
D571,486 S	6/2008	Miller et al.
D615,217 S	5/2010	Steinkraus

D628,047 S	11/2010	Craig
D650,095 S	12/2011	Smolinski
D652,411 S	1/2012	Crawford et al.
D689,760 S	9/2013	Chen
D705,645 S	5/2014	Bakos
D708,357 S	7/2014	Brann
D718,241 S	11/2014	Gretz
D734,875 S	7/2015	Masuda et al.
D734,876 S	7/2015	Masuda et al.
D767,167 S	9/2016	Masuda et al.
9,554,649 B2	1/2017	Saich et al.
D778,739 S	2/2017	Hughes

(Continued)

*Primary Examiner* — Mark A Goodwin

(74) *Attorney, Agent, or Firm* — Lee & Hayes, P.C.

(57) **CLAIM**

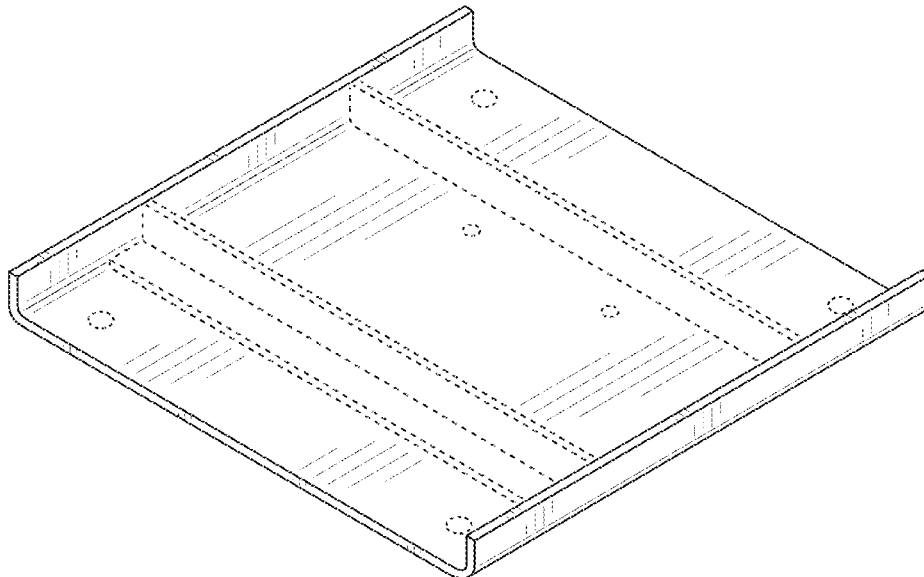
The ornamental design for a base plate of a mobile stackable tower, as shown and described.

**DESCRIPTION**

FIG. 1 is a front, top perspective view of a base plate of a mobile stackable tower;  
FIG. 2 is a back, bottom perspective view thereof;  
FIG. 3 is a top plan view thereof;  
FIG. 4 is a bottom plan view thereof;  
FIG. 5 is a front elevation view thereof;  
FIG. 6 is a back elevation view thereof;  
FIG. 7 is a left-side elevation view thereof;  
FIG. 8 is a right-side elevation view thereof; and,  
FIG. 9 is a front, top perspective view showing unclaimed environment of the base plate of the mobile stackable tower according to the present design.

The broken lines in FIGS. 1-9 are included for the purpose of illustrating portions of the base plate of a mobile stackable tower and form no part of the claimed design. The broken lines showing of a stackable tower in FIG. 9 are included for the purpose of illustrating environmental use only and forms no part of the claimed design.

**1 Claim, 9 Drawing Sheets**



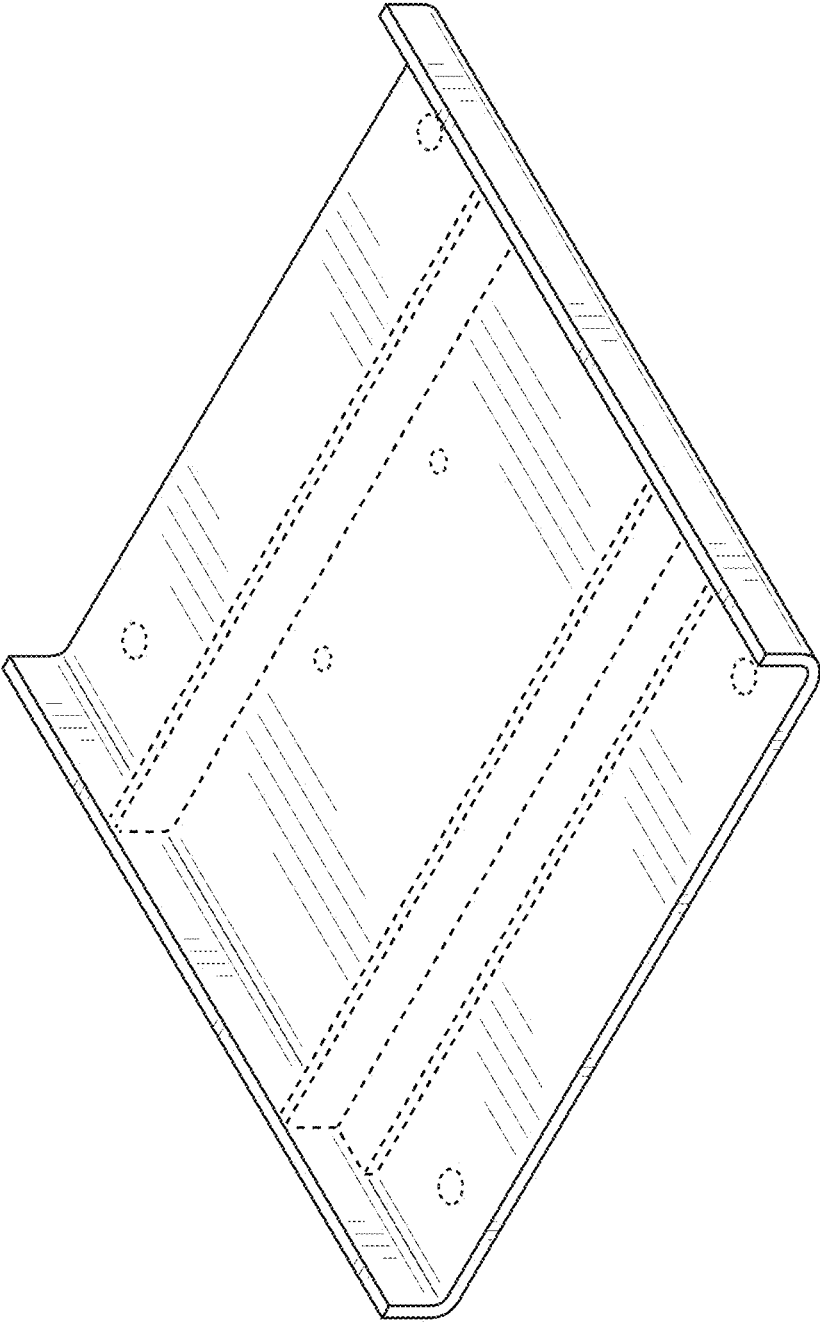
(56)

References Cited

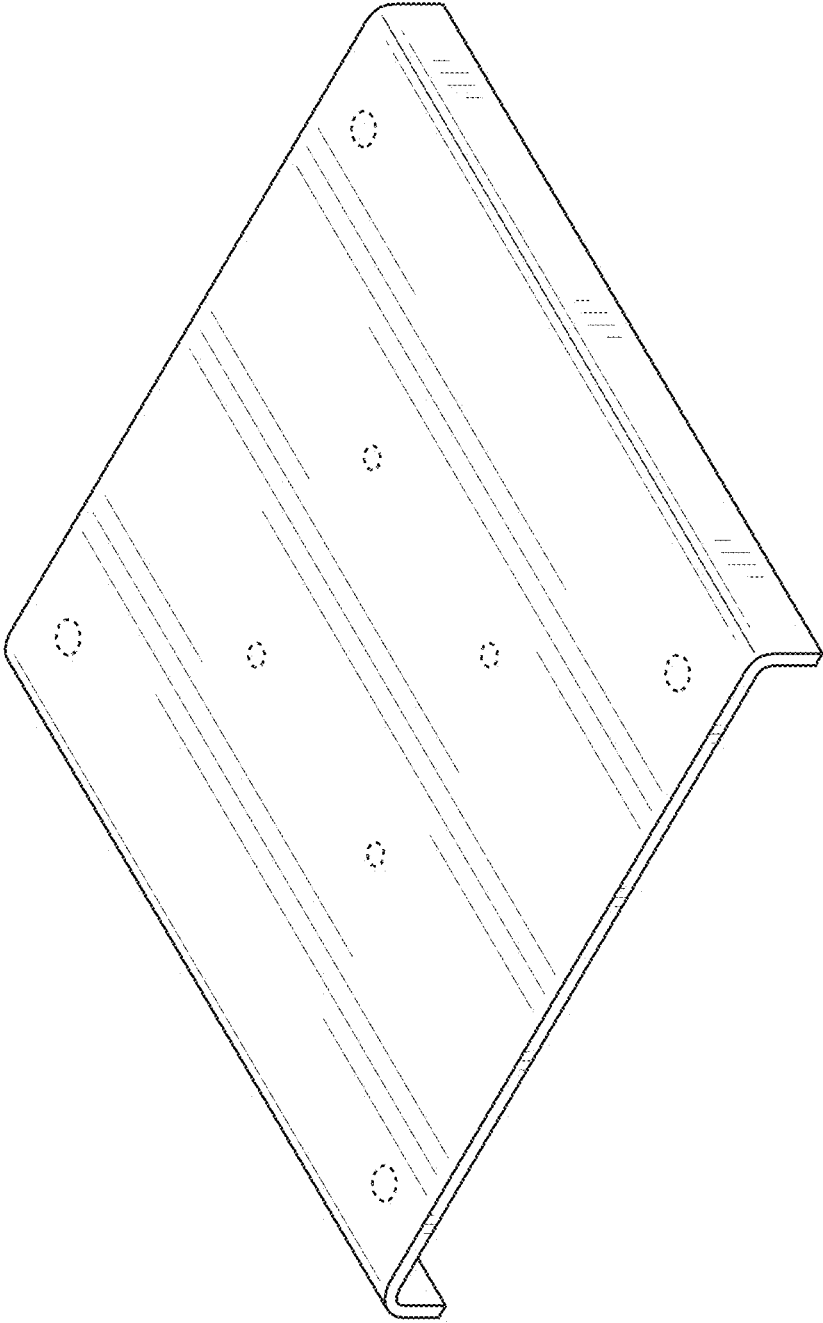
U.S. PATENT DOCUMENTS

D781,451	S	3/2017	Bokros	
D782,708	S	3/2017	Key et al.	
D788,064	S	5/2017	Norrell	
D806,904	S	1/2018	DeBellis	
D817,915	S	5/2018	Norrell	
D817,916	S	5/2018	Norrell	
D817,917	S	5/2018	Norrell	
D817,918	S	5/2018	Sabatino et al.	
D822,650	S	7/2018	Kanter	
D825,784	S	8/2018	Ma et al.	
D830,812	S	10/2018	Kanter	
D870,535	S	12/2019	Gebhardt et al.	
D884,928	S	5/2020	Gordon	
D904,171	S	12/2020	Ochi	
D906,094	S	12/2020	Horne et al.	
D913,077	S	3/2021	Pavlov	
D917,403	S	4/2021	Apkarian et al.	
D933,617	S	10/2021	Togami et al.	
D938,262	S	12/2021	Fehr	
D938,616	S	12/2021	Schlatter	
D939,730	S	12/2021	Lomax	
D945,606	S	3/2022	Bellows et al.	
D947,414	S	3/2022	Newman	
D947,914	S	4/2022	Rao et al.	
D961,806	S	8/2022	Birch	
D965,182	S	9/2022	Porter	
D970,755	S	11/2022	DiBiase	
D973,471	S	12/2022	Tanner et al.	
D975,318	S	1/2023	Herbertsson	
D991,012	S	* 7/2023	Newman .....	D8/349
2004/0031902	A1	2/2004	Davis	
2017/0214115	A1	7/2017	Norrell	
2021/0257709	A1	8/2021	Ruiz	

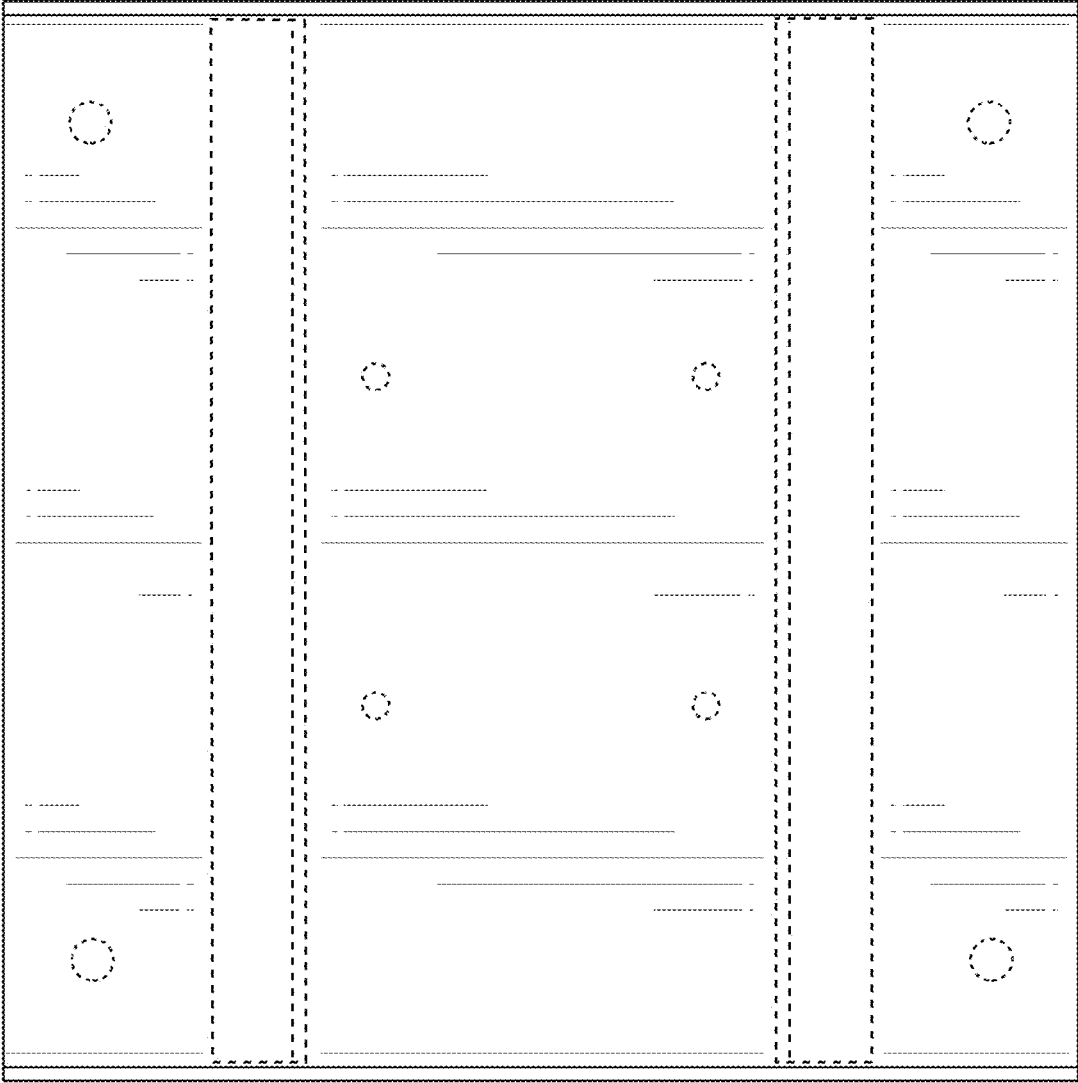
\* cited by examiner



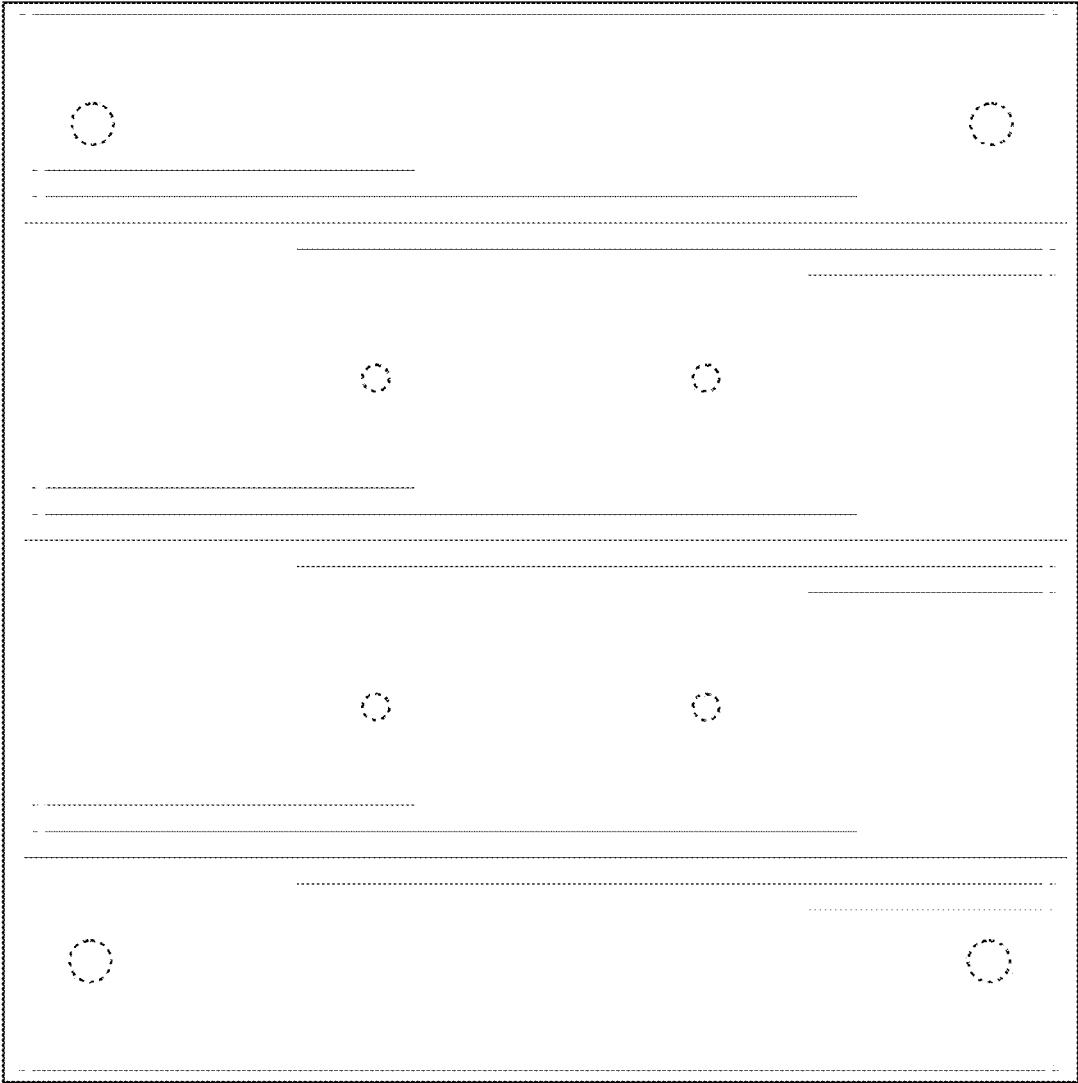
**FIG. 1**



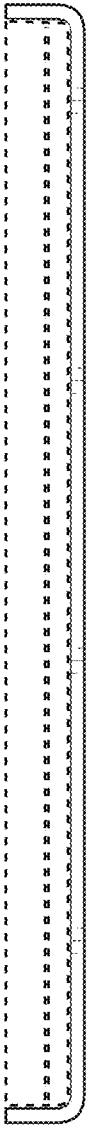
**FIG. 2**



**FIG. 3**



**FIG. 4**



**FIG. 5**



**FIG. 6**

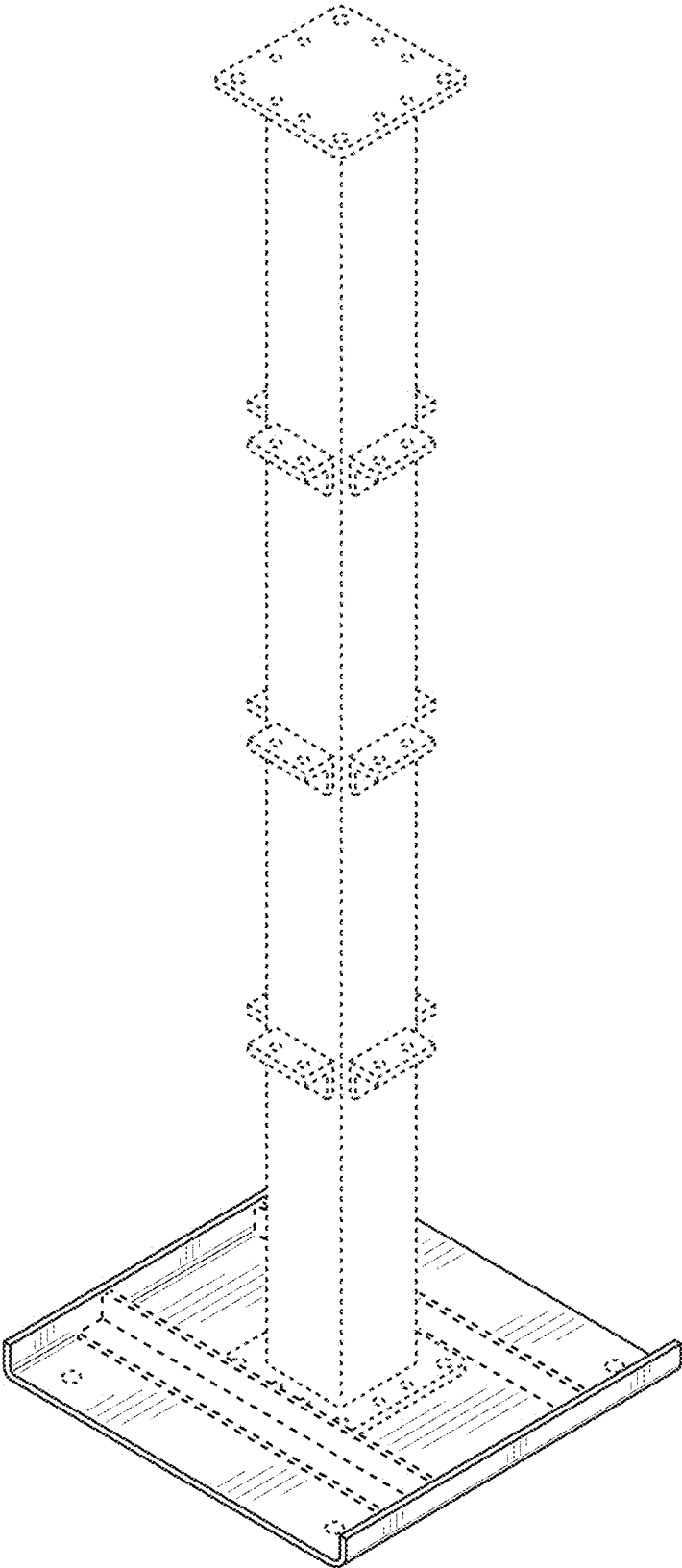




**FIG. 7**



**FIG. 8**



**FIG. 9**