

(19) World Intellectual Property Organization
International Bureau



(43) International Publication Date
26 April 2007 (26.04.2007)

PCT

(10) International Publication Number
WO 2007/046010 A3

- (51) International Patent Classification:
G01T 1/20 (2006.01) H04N 5/32 (2006.01)
- (21) International Application Number:
PCT/IB2006/053268
- (22) International Filing Date:
13 September 2006 (13.09.2006)
- (25) Filing Language: English
- (26) Publication Language: English
- (30) Priority Data:
103370 20 October 2005 (20.10.2005) PT
- (71) Applicant (for all designated States except US): UNI-
VERSIDADE DO MINHO [PT/PT]; Largo do Paço,
P-4704-553 Braga (PT).
- (72) Inventors; and
- (75) Inventors/Applicants (for US only): VIEIRA DA
ROCHA, José, Gerardo [PT/PT]; Avenida do Brasil,
n.º 91 - C5, Gavião, P-4760-001 V.n. Famalicão (PT).
LANCEROS-MENDEZ, Senentxu [ES/PT]; Rua D.
Pedro V, n.º 27 - 2º, P-4710-374 Braga (PT).
- (74) Agent: VIEIRA PEREIRA FERREIRA, Maria, Silv-
ina; CLARKE, MODET & Cº, Rua Castilho, 50 - 5º,
P-1269-163 Lisboa (PT).

- (81) Designated States (unless otherwise indicated, for every
kind of national protection available): AE, AG, AL, AM,
AT, AU, AZ, BA, BB, BG, BR, BW, BY, BZ, CA, CH, CN,
CO, CR, CU, CZ, DE, DK, DM, DZ, EC, EE, EG, ES, FI,
GB, GD, GE, GH, GM, HN, HR, HU, ID, IL, IN, IS, JP,
KE, KG, KM, KN, KP, KR, KZ, LA, LC, LK, LR, LS, LT,
LU, LV, LY, MA, MD, MG, MK, MN, MW, MX, MY, MZ,
NA, NG, NI, NO, NZ, OM, PG, PH, PL, PT, RO, RS, RU,
SC, SD, SE, SG, SK, SL, SM, SV, SY, TJ, TM, TN, TR,
TT, TZ, UA, UG, US, UZ, VC, VN, ZA, ZM, ZW.
- (84) Designated States (unless otherwise indicated, for every
kind of regional protection available): ARIPO (BW, GH,
GM, KE, LS, MW, MZ, NA, SD, SL, SZ, TZ, UG, ZM,
ZW), Eurasian (AM, AZ, BY, KG, KZ, MD, RU, TJ, TM),
European (AT, BE, BG, CH, CY, CZ, DE, DK, EE, ES, FI,
FR, GB, GR, HU, IE, IS, IT, LT, LU, LV, MC, NL, PL, PT,
RO, SE, SI, SK, TR), OAPI (BF, BJ, CF, CG, CI, CM, GA,
GN, GQ, GW, ML, MR, NE, SN, TD, TG).

Declaration under Rule 4.17:

— of inventorship (Rule 4.17(iv))

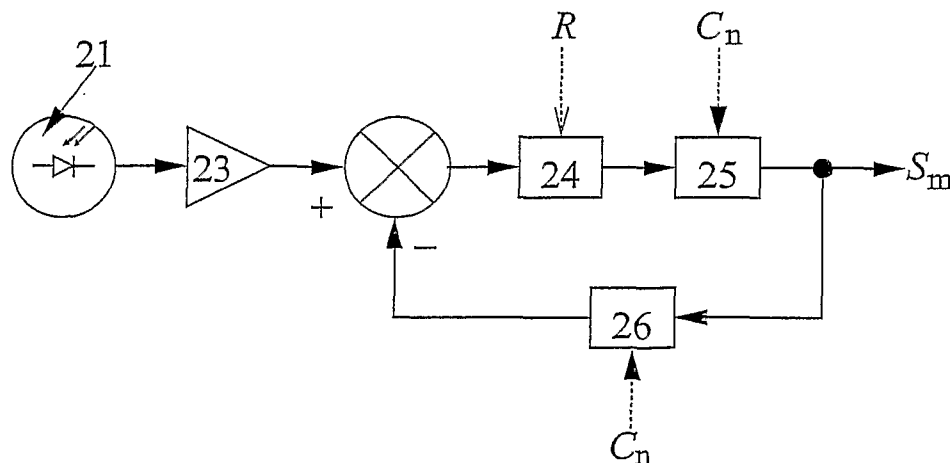
Published:

— with international search report

- (88) Date of publication of the international search report:
18 October 2007

[Continued on next page]

(54) Title: X-RAY IMAGING MATRIX WITH LIGHT GUIDES AND INTELLIGENT PIXEL SENSORS, RADIATION OR HIGH ENERGY PARTICLE DETECTOR DEVICES THAT CONTAIN IT, ITS FABRICATION PROCESS AND ITS USE



(57) Abstract: The present invention refers to a radiation or high energy particles detector, which can be used in obtaining digital radiographic images. The detector is composed of two parts: a scintillator matrix (30) embedded in walls manufactured from a reflector material (10), and a matrix of image elements (pixels), where each element is constituted by a photodetector (21) and an analog to digital converter. The walls manufactured from the reflector material (10) form light guides that prevent the dispersion of the visible light produced by the scintillators (30) and the consequent interference between each pixel and its neighbors.

WO 2007/046010 A3



For two-letter codes and other abbreviations, refer to the "Guidance Notes on Codes and Abbreviations" appearing at the beginning of each regular issue of the PCT Gazette.

INTERNATIONAL SEARCH REPORT

International application No
PCT/IB2006/053268

A. CLASSIFICATION OF SUBJECT MATTER
INV. G01T1/20 H04N5/32

According to International Patent Classification (IPC) or to both national classification and IPC

B. FIELDS SEARCHED

Minimum documentation searched (classification system followed by classification symbols)
G01T H04N

Documentation searched other than minimum documentation to the extent that such documents are included in the fields searched

Electronic data base consulted during the international search (name of data base and, where practical, search terms used)

EPO-Internal, WPI Data

C. DOCUMENTS CONSIDERED TO BE RELEVANT

Category*	Citation of document, with indication, where appropriate, of the relevant passages	Relevant to claim No.
Y	ROCHA J G ET AL: "Cmos x-ray image sensor with pixel level a/d conversion" EUROPEAN SOLID-STATE CIRCUITS, 2003. ESSCIRC '03. CONFERENCE ON 16-18 SEPT. 2003, PISCATAWAY, NJ, USA, IEEE, 16 September 2003 (2003-09-16), pages 121-124, XP010677577 ISBN: 0-7803-7995-0 page 121 - page 122	1-14
Y	WO 2005/069601 A (PHILIPS INTELLECTUAL PROPERTY [DE]; KONINKL PHILIPS ELECTRONICS NV [NL] 28 July 2005 (2005-07-28) page 1, line 21 - line 25 page 4, line 25 - page 6, line 19 ----- -/--	1-6,8-14

Further documents are listed in the continuation of Box C.

See patent family annex.

* Special categories of cited documents:

- *A* document defining the general state of the art which is not considered to be of particular relevance
- *E* earlier document but published on or after the international filing date
- *L* document which may throw doubts on priority claim(s) or which is cited to establish the publication date of another citation or other special reason (as specified)
- *O* document referring to an oral disclosure, use, exhibition or other means
- *P* document published prior to the international filing date but later than the priority date claimed

- *T* later document published after the international filing date or priority date and not in conflict with the application but cited to understand the principle or theory underlying the invention
- *X* document of particular relevance; the claimed invention cannot be considered novel or cannot be considered to involve an inventive step when the document is taken alone
- *Y* document of particular relevance; the claimed invention cannot be considered to involve an inventive step when the document is combined with one or more other such documents, such combination being obvious to a person skilled in the art.
- * & * document member of the same patent family

Date of the actual completion of the international search

25 June 2007

Date of mailing of the international search report

04/07/2007

Name and mailing address of the ISA/

European Patent Office, P.B. 5818 Patentlaan 2
NL - 2280 HV Rijswijk
Tel. (+31-70) 340-2040, Tx. 31 651 epo nl,
Fax: (+31-70) 340-3016

Authorized officer

Rabenstein, Winfried

INTERNATIONAL SEARCH REPORT

International application No
PCT/IB2006/053268

C(Continuation). DOCUMENTS CONSIDERED TO BE RELEVANT

Category*	Citation of document, with indication, where appropriate, of the relevant passages	Relevant to claim No.
Y	US 5 368 882 A (TRAN NANG T [US] ET AL) 29 November 1994 (1994-11-29) column 3, line 11 - line 26 column 6, line 60 - column 8, line 65 -----	1-14
A	US 6 534 773 B1 (IWANCZYK JAN S [US] ET AL) 18 March 2003 (2003-03-18) column 2, line 63 - line 65 column 4, line 3 - line 6; figure 1 -----	1-14

INTERNATIONAL SEARCH REPORT

Information on patent family members

International application No PCT/IB2006/053268

Patent document cited in search report	A	Publication date	CN	Patent family member(s)	Publication date
WO 2005069601	A	28-07-2005	CN	1910902 A	07-02-2007
US 5368882	A	29-11-1994	CA	2128746 A1	26-02-1995
			DE	69403590 D1	10-07-1997
			DE	69403590 T2	05-02-1998
			EP	0642177 A1	08-03-1995
			JP	7092299 A	07-04-1995
US 6534773	B1	18-03-2003	NONE		