



US0D1019368S

(12) **United States Design Patent** (10) **Patent No.:** **US D1,019,368 S**
Poirier et al. (45) **Date of Patent:** **** Mar. 26, 2024**

(54) **POSITIONING CLIP**
(71) Applicant: **Westlake Royal Stone LLC**, Houston, TX (US)
(72) Inventors: **Jeffrey D. Poirier**, Edmonds, WA (US); **Jakob W. H. Harris**, Kirkland, WA (US)
(73) Assignee: **Westlake Royal Stone, LLC**, Houston, TX (US)

2,005,030 A 6/1935 Geisinger
2,054,511 A 9/1936 Hornicek
2,104,085 A 1/1938 Leland
2,171,221 A 8/1939 Maus
2,200,649 A 5/1940 Wardle
2,236,258 A 3/1941 Burson
2,245,785 A 6/1941 Jentzer, Jr.
(Continued)

(**) Term: **15 Years**

FOREIGN PATENT DOCUMENTS

CA 2523497 A1 10/2004
CA 2725962 A1 2/2009
(Continued)

(21) Appl. No.: **29/756,242**

OTHER PUBLICATIONS

(22) Filed: **Oct. 27, 2020**

Building Stone Institute, "Recommended Best Practices," Jan. 1, 2010.

Related U.S. Application Data

(Continued)

(63) Continuation of application No. 29/659,835, filed on Aug. 13, 2018, now Pat. No. Des. 903,478.

(51) **LOC (14) Cl.** **08-08**

Primary Examiner — Llorelys Martinez-Rivera
(74) *Attorney, Agent, or Firm* — Bookoff McAndrews PLLC

(52) **U.S. Cl.**
USPC **D8/394**

(57) **CLAIM**

(58) **Field of Classification Search**
USPC D8/382, 384, 385, 394, 396; D25/102, D25/119-123, 199; D20/43, 44; D6/512, D6/513
CPC ... E04B 9/008; E04B 9/18; E04B 9/20; E04B 9/205; E04B 1/4178; E04B 1/4185; E04F 13/0801; E04F 13/0812; E04F 13/0814; E04F 13/0816; E04F 13/0835; E04F 13/0841; E04F 13/0846; E04F 13/0862; E04F 13/21
See application file for complete search history.

The ornamental design for a positioning clip, as shown as described.

DESCRIPTION

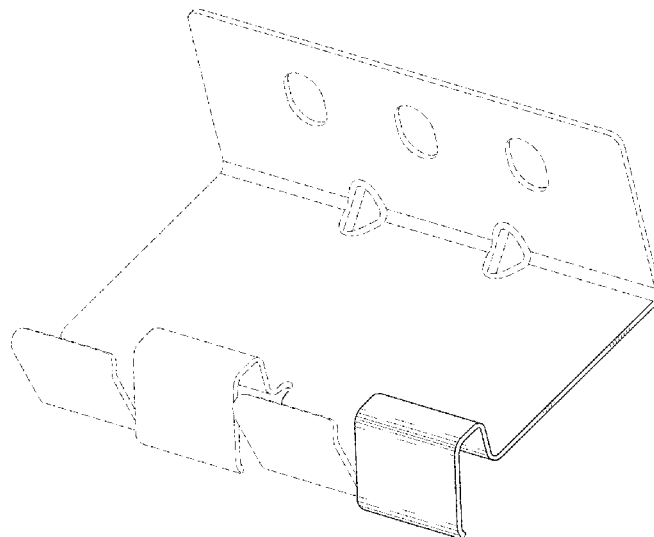
(56) **References Cited**

U.S. PATENT DOCUMENTS

770,616 A * 9/1904 Swenson E04B 1/4185 52/562
1,052,670 A 2/1913 Francis

FIG. 1 is a front perspective view of a positioning clip showing our new design;
FIG. 2 is a front view thereof;
FIG. 3 is a back view thereof;
FIG. 4 is a right side view thereof;
FIG. 5 is a left side view thereof;
FIG. 6 is a top view thereof; and,
FIG. 7 is a bottom view thereof.
The broken lines in the drawings represent portions of the positioning clip and form no part of the claimed design.

1 Claim, 5 Drawing Sheets



(56)

References Cited

U.S. PATENT DOCUMENTS

2,258,574 A 10/1941 Leary
 2,292,984 A 8/1942 Alvarez, Jr.
 2,300,258 A 10/1942 Kublanow
 2,328,977 A 9/1943 Hasenburger et al.
 2,338,328 A 1/1944 Handel
 2,470,369 A 5/1949 Radeke
 2,799,058 A * 7/1957 Swenson E04F 13/0846
 2,814,840 A * 12/1957 Sears E04F 13/0846
 2,832,102 A 4/1958 Amoruso
 2,900,677 A 8/1959 Yetter
 3,015,193 A 1/1962 Amoruso
 3,077,220 A * 2/1963 Fusco, Jr. B60C 29/06
 3,266,209 A 8/1966 Zibell
 3,319,983 A 5/1967 Zibell
 3,478,480 A 11/1969 Swenson
 3,594,028 A 7/1971 Scott
 3,786,605 A 1/1974 Winfrey
 3,975,875 A 8/1976 Goss, Jr.
 4,009,549 A 3/1977 Hala
 D256,258 S * 8/1980 Varrin D20/43
 4,361,998 A 12/1982 Ellison et al.
 4,538,391 A 9/1985 Skrabis et al.
 4,703,601 A 11/1987 Abendroth
 5,086,602 A 2/1992 Pukas
 5,167,106 A 12/1992 Ohno
 5,265,396 A 11/1993 Amimoto
 D342,579 S 12/1993 Mason
 D345,268 S * 3/1994 Pate D25/119
 5,301,484 A 4/1994 Jansson
 5,379,561 A 1/1995 Saito
 D363,132 S 10/1995 Simon
 5,501,050 A 3/1996 Ruel
 5,619,834 A 4/1997 Chen
 5,657,593 A 8/1997 Eriksen
 5,673,529 A 10/1997 Treister et al.
 5,694,727 A 12/1997 Dobija
 5,881,522 A 3/1999 Dobija
 6,170,214 B1 1/2001 Treister et al.
 D449,776 S * 10/2001 Barnett D8/382
 6,315,489 B1 11/2001 Watanabe
 6,351,922 B1 3/2002 Burns et al.
 6,402,419 B1 6/2002 Watanabe
 D463,170 S 9/2002 Schultz
 6,484,465 B2 11/2002 Higgins
 6,598,362 B2 7/2003 Hikai
 6,843,032 B2 1/2005 Hikai
 D513,535 S 1/2006 Fischer
 7,096,629 B1 8/2006 Cox
 D538,948 S 3/2007 Thimons et al.
 7,237,368 B2 7/2007 Richardson et al.
 7,469,511 B2 12/2008 Wobber
 D591,585 S 5/2009 Hikai
 7,596,911 B2 10/2009 Turco
 D610,899 S 3/2010 Hikai
 7,748,188 B2 7/2010 Ito
 8,256,179 B2 9/2012 Nasvik
 8,322,103 B1 12/2012 Kownacki
 8,407,895 B2 4/2013 Hartelius et al.
 8,429,866 B2 4/2013 Knight et al.
 8,511,024 B2 8/2013 MacDonald et al.
 8,567,145 B1 10/2013 Chauncey
 D693,484 S 11/2013 Krieger

D697,394 S 1/2014 Lengacher et al.
 8,806,838 B2 8/2014 Shin
 8,839,587 B2 9/2014 Hohmann, Jr.
 8,904,725 B2 12/2014 Hohmann, Jr.
 8,904,726 B1 12/2014 Hohmann, Jr.
 D723,359 S * 3/2015 O'Connor D8/382
 9,109,352 B1 8/2015 Knudson
 9,267,295 B2 2/2016 Mann
 D939,946 S * 1/2022 Aucker D8/394
 D959,251 S * 8/2022 Stahl D25/199
 2004/0074188 A1 4/2004 Beck et al.
 2006/0272261 A1 * 12/2006 Ito E04F 13/0846
 2007/0151190 A1 7/2007 Huff et al.
 2007/0175159 A1 8/2007 Minter
 2008/0196339 A1 8/2008 Van Der Lee
 2008/0216444 A1 9/2008 Loyd
 2009/0272055 A1 11/2009 Griffiths
 2010/0192495 A1 8/2010 Huff et al.
 2012/0117904 A1 5/2012 Boucharde et al.
 2013/0326991 A1 12/2013 Chauncey
 2016/0032582 A1 * 2/2016 Hohmann, Jr. E04B 1/4185
 2023/0028102 A1 * 1/2023 Kasetani E04F 13/0846

FOREIGN PATENT DOCUMENTS

CA 2785435 A1 2/2013
 CA 2871377 A1 5/2015
 CA 2895626 A1 2/2016
 CN 103526907 B 11/2015
 DE 2749230 A1 5/1979
 DE 3514731 A1 10/1986
 DE 102009004689 A1 7/2010
 EP 0275145 A2 7/1988
 EP 0288376 A1 10/1988
 EP 1621698 A2 2/2006
 EP 2330260 A2 6/2011
 FR 2597138 B1 8/1991
 FR 2836499 A1 8/2003
 WO WO 9408106 A1 4/1994
 WO WO 2007/069027 6/2007

OTHER PUBLICATIONS

“Fast Track Stone™: Masonry Support System,” Masonry Resources, masonryresources.com, Aug. 2013, available at <http://www.masonryresources.com/wp-content/uploads/2016/06/fast-track-manuel.pdf>.
http://www.steelconstruction.info/Facades_and_interfaces, Sep. 17, 2013.
 Stringham, Adrien, “Facade Cladding Team: Erz Building Technology 4, Moniruz Zaman, Elvis Chatierpaul, Rachida Metal Panel, Rigid Insulation Stone veneer Panels,” SlidePlayer, slideplayer.com, 2015, available at <http://slideplayer.com/slide/1719406/>.
 “Less is More with Lightweight Honeycomb Reinforced Stone and Porcelain Panels,” Continuing Education Center, continuingeducation.bnppmedia.com, Aug. 2015, available at <https://continuingeducation.bnppmedia.com/courses/terracore-panels/less-is-more-with-lightweight-honeycomb-reinforced-stone-and-porcelain-panels/>.
 “Stone Slab Veneer / Reinforced Concrete Block,” Skyline Brick, skylinebrick.com, accessed: Apr. 2016, available at <http://www.skylinebrick.com/wall-systems/cavity-wall-stone-slab-veneer-reinforced-concrete-block.php>.

* cited by examiner

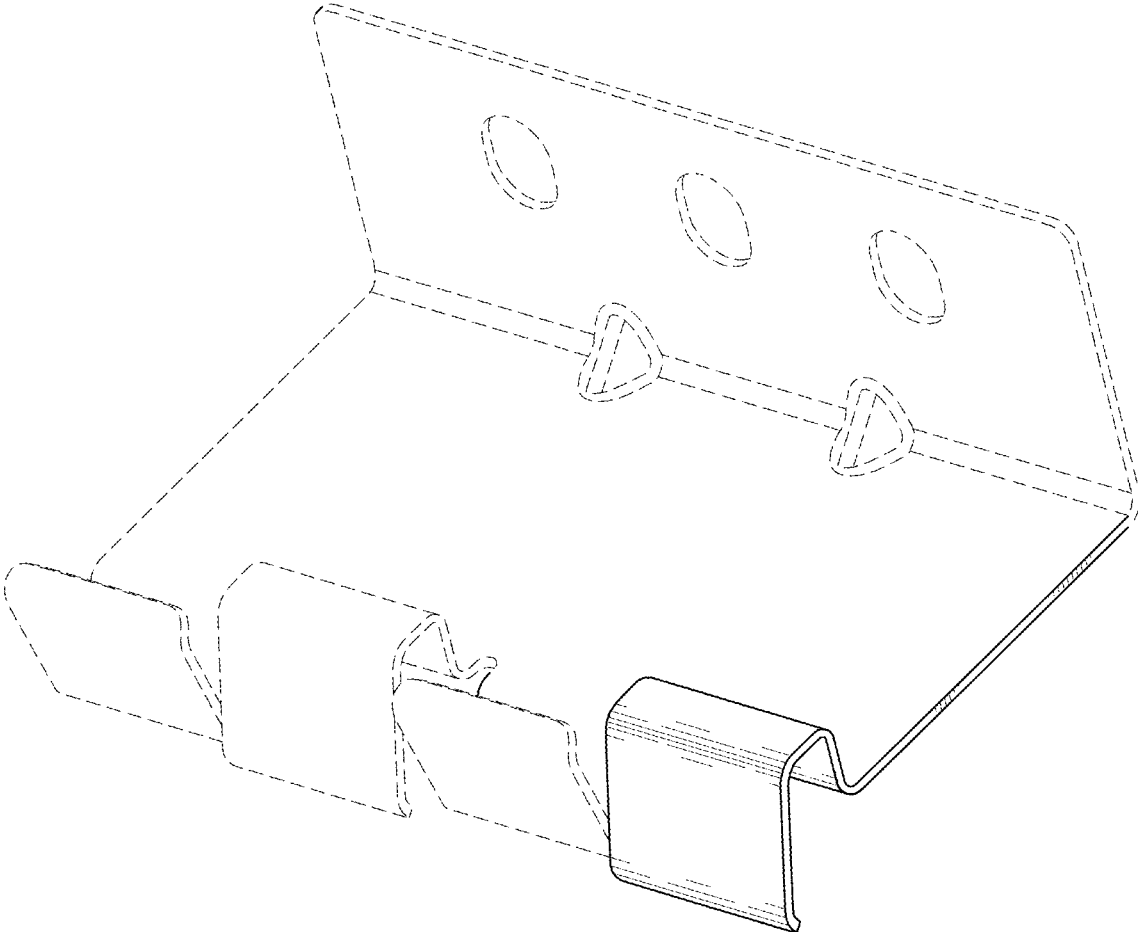


FIG. 1

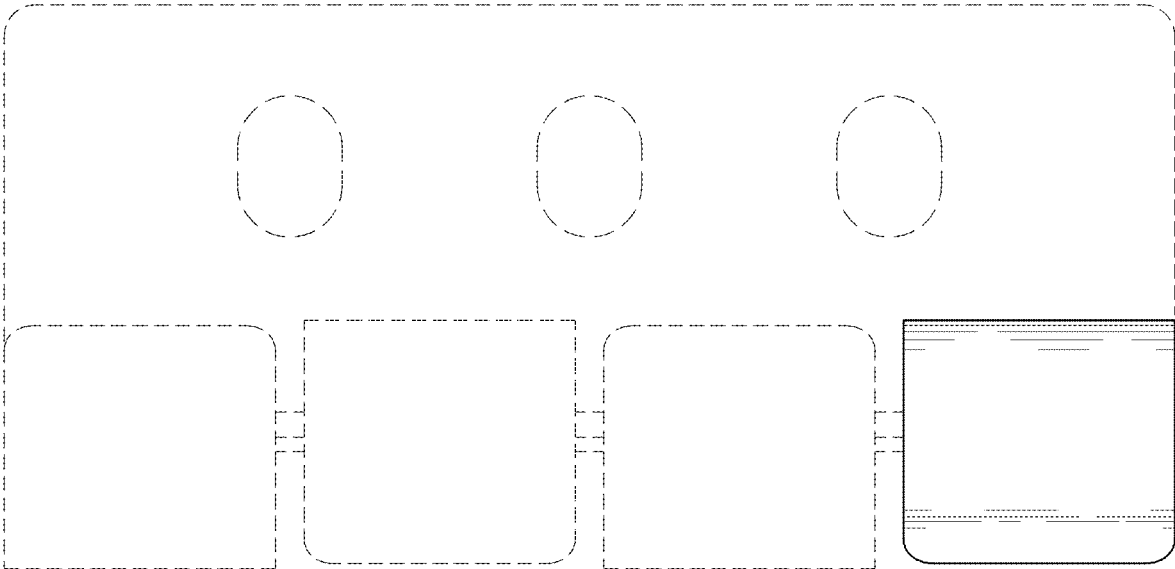


FIG. 2

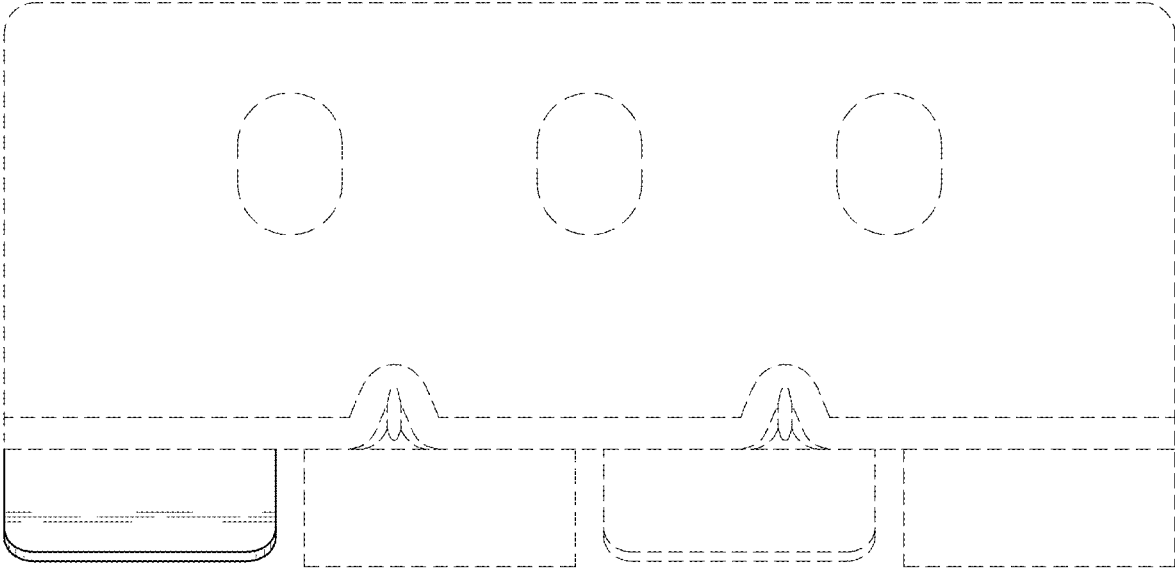


FIG. 3

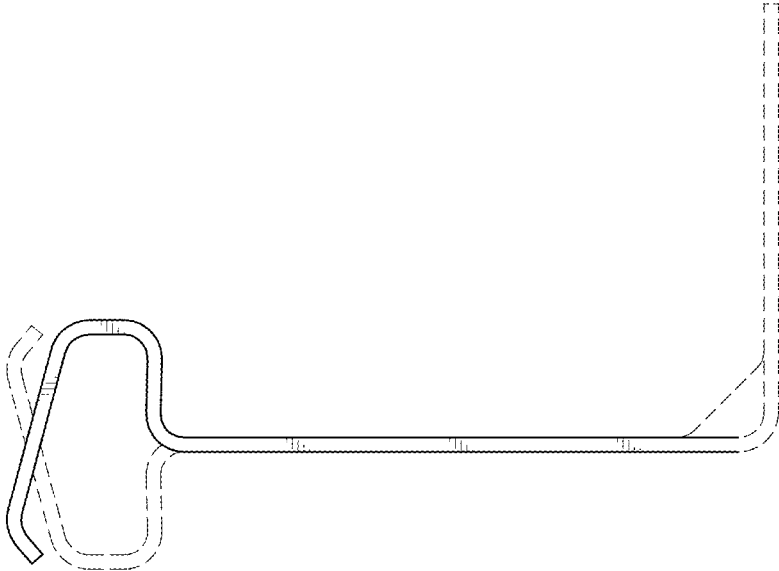


FIG. 4

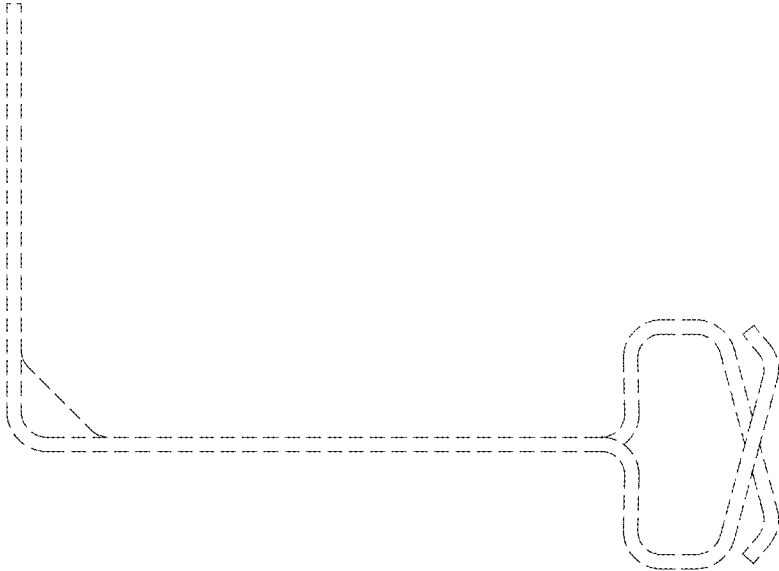


FIG. 5

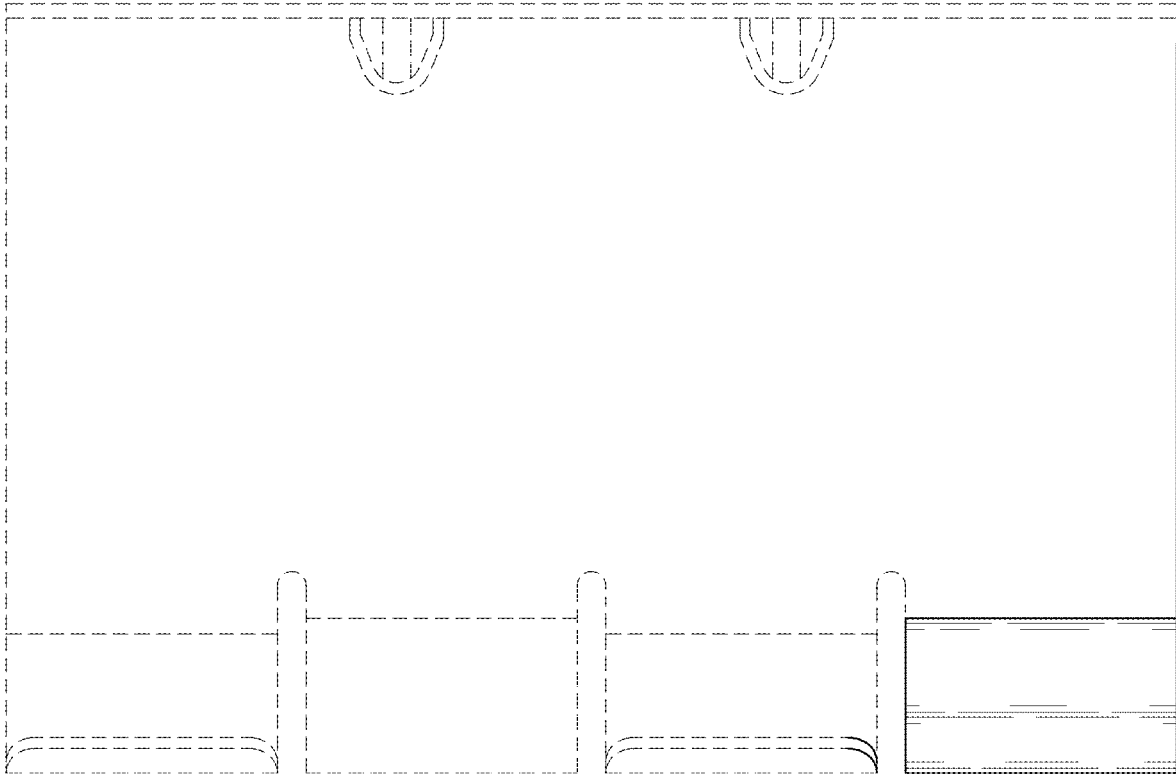


FIG. 6

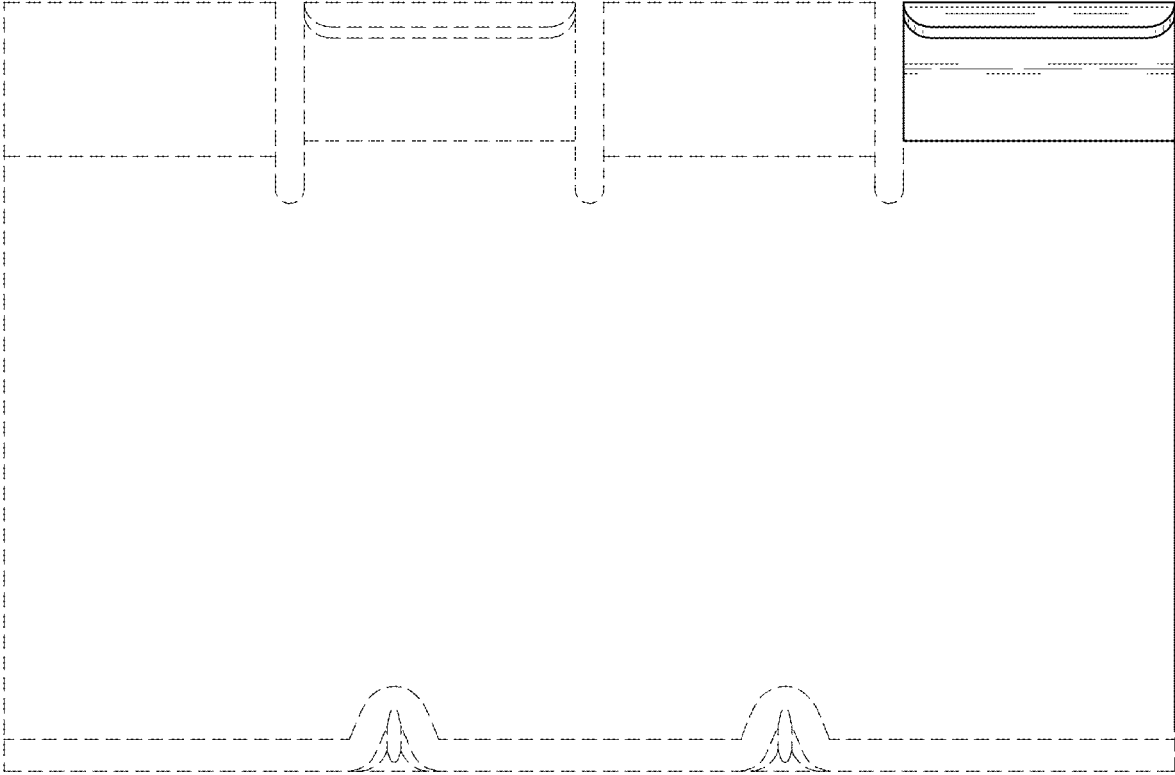


FIG. 7