



US00D415509S

United States Patent [19]
Hiraguchi

[11] **Patent Number: Des. 415,509**
[45] **Date of Patent: ** Oct. 19, 1999**

[54] **MONITOR CAMERA WITH A COVER**
[75] Inventor: **Katsunori Hiraguchi**, Shizuoka, Japan
[73] Assignee: **Star Micronics Co., Ltd.**, Shizuoka, Japan
[**] Term: **14 Years**

D. 399,517 10/1998 Hasegawa D16/203
D. 402,677 12/1998 Hiraguchi D16/203
5,418,567 5/1995 Boers et al. 348/375

[21] Appl. No.: **29/092,836**
[22] Filed: **Aug. 26, 1998**
[30] **Foreign Application Priority Data**
Feb. 26, 1998 [JP] Japan 10-5150

FOREIGN PATENT DOCUMENTS

976911 12/1996 Japan .
976912 12/1996 Japan .

Primary Examiner—Adir Aronovich
Attorney, Agent, or Firm—Sughrue, Mion, Zinn, Macpeak & Seas, PLLC

[51] **LOC (6) Cl.** **16-01**
[52] **U.S. Cl.** **D16/203**
[58] **Field of Search** D16/200–205,
D16/208; 348/143, 373–376; 396/419, 427,
535–543

[57] **CLAIM**

The ornamental design for a monitor camera with a cover, as shown.

[56] **References Cited**
U.S. PATENT DOCUMENTS

D. 248,305 6/1978 Scott D16/203
D. 307,759 5/1990 Pagano D16/203
D. 388,450 12/1997 Hamano D16/203

DESCRIPTION

FIG. 1 is a perspective view of the top, front and left side of a monitor camera with a cover showing my new design; FIG. 2 is a front elevational view thereof; FIG. 3 is a top plan view thereof; FIG. 4 is a left side elevational view thereof; FIG. 5 is a right side elevational view thereof; FIG. 6 is an rear elevational view thereof; and, FIG. 7 is a bottom plan view thereof.

1 Claim, 7 Drawing Sheets

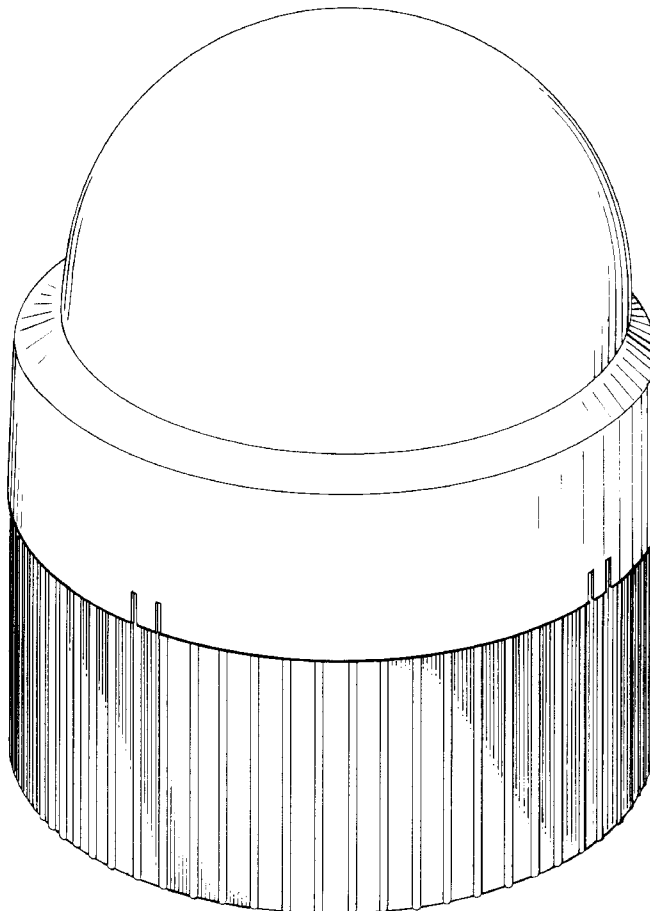


FIG. 1

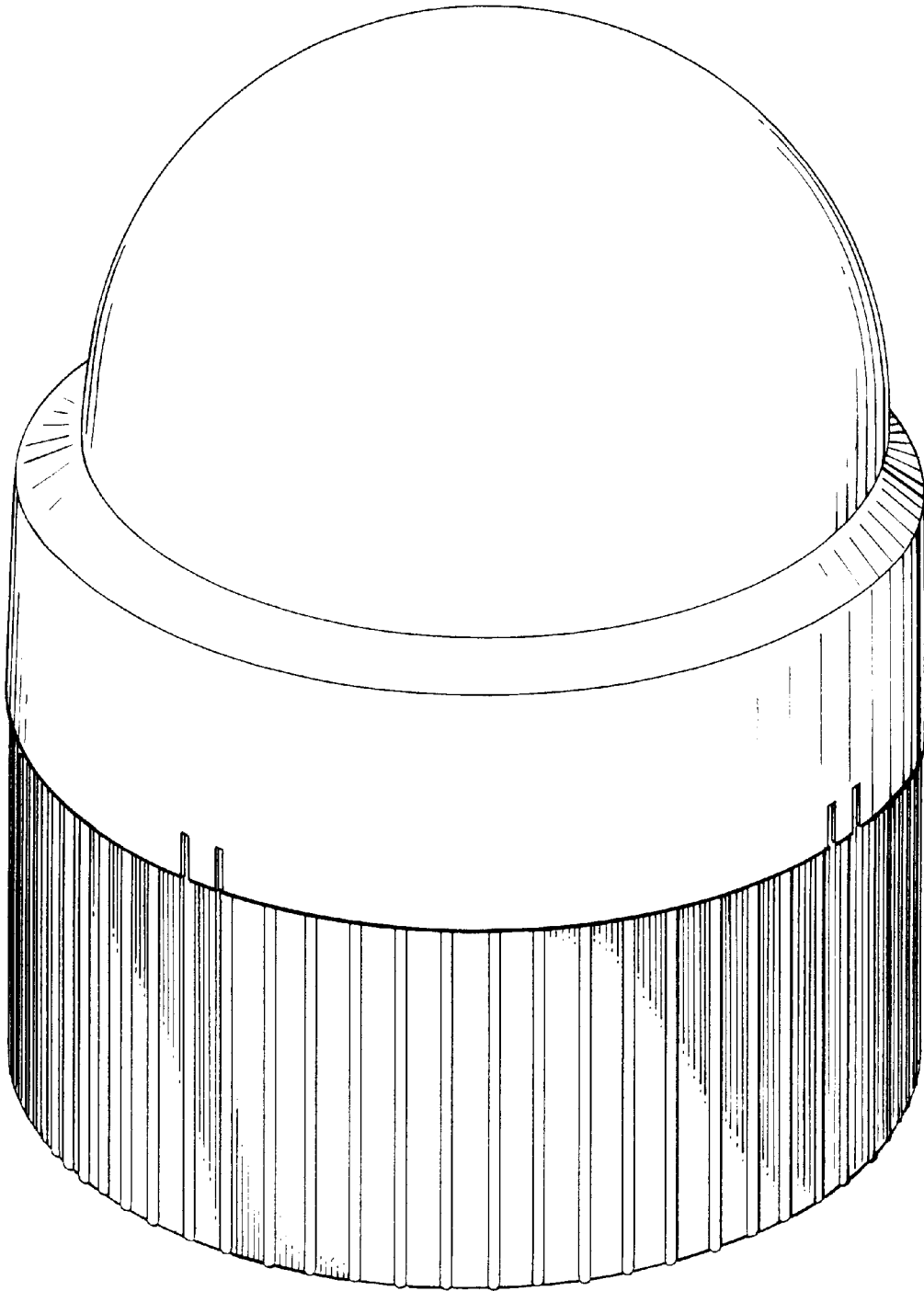


FIG. 2

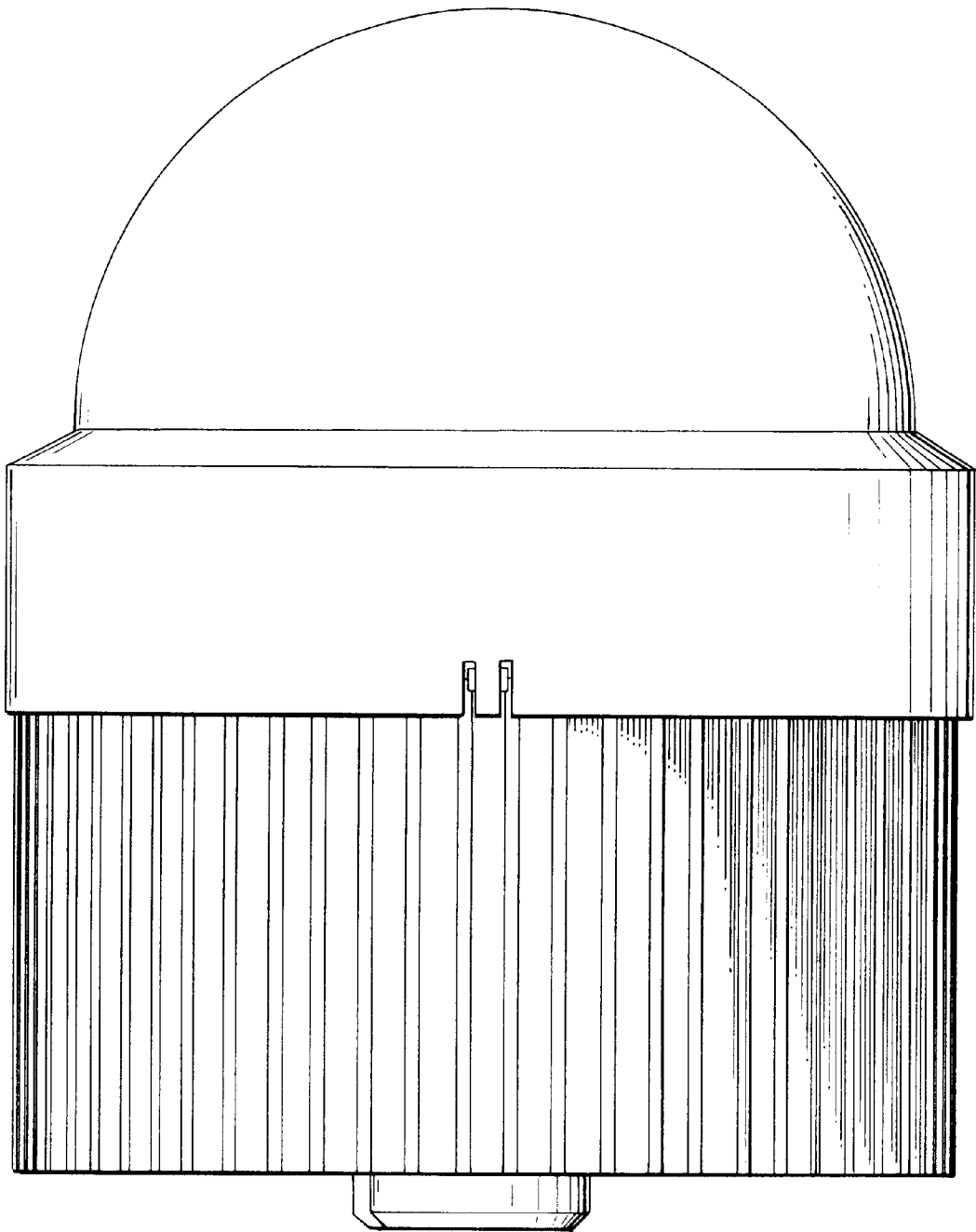


FIG. 3

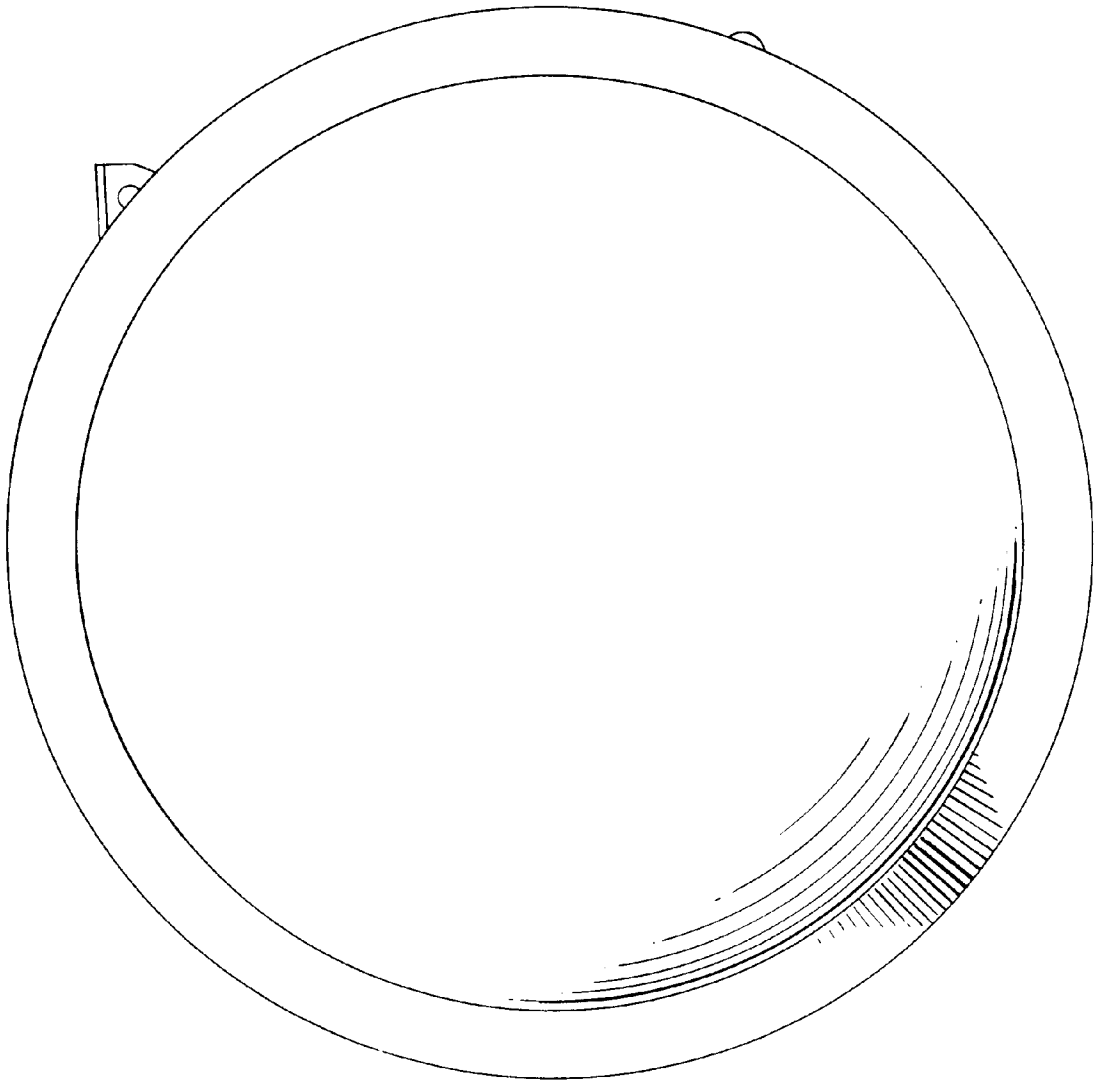


FIG. 4

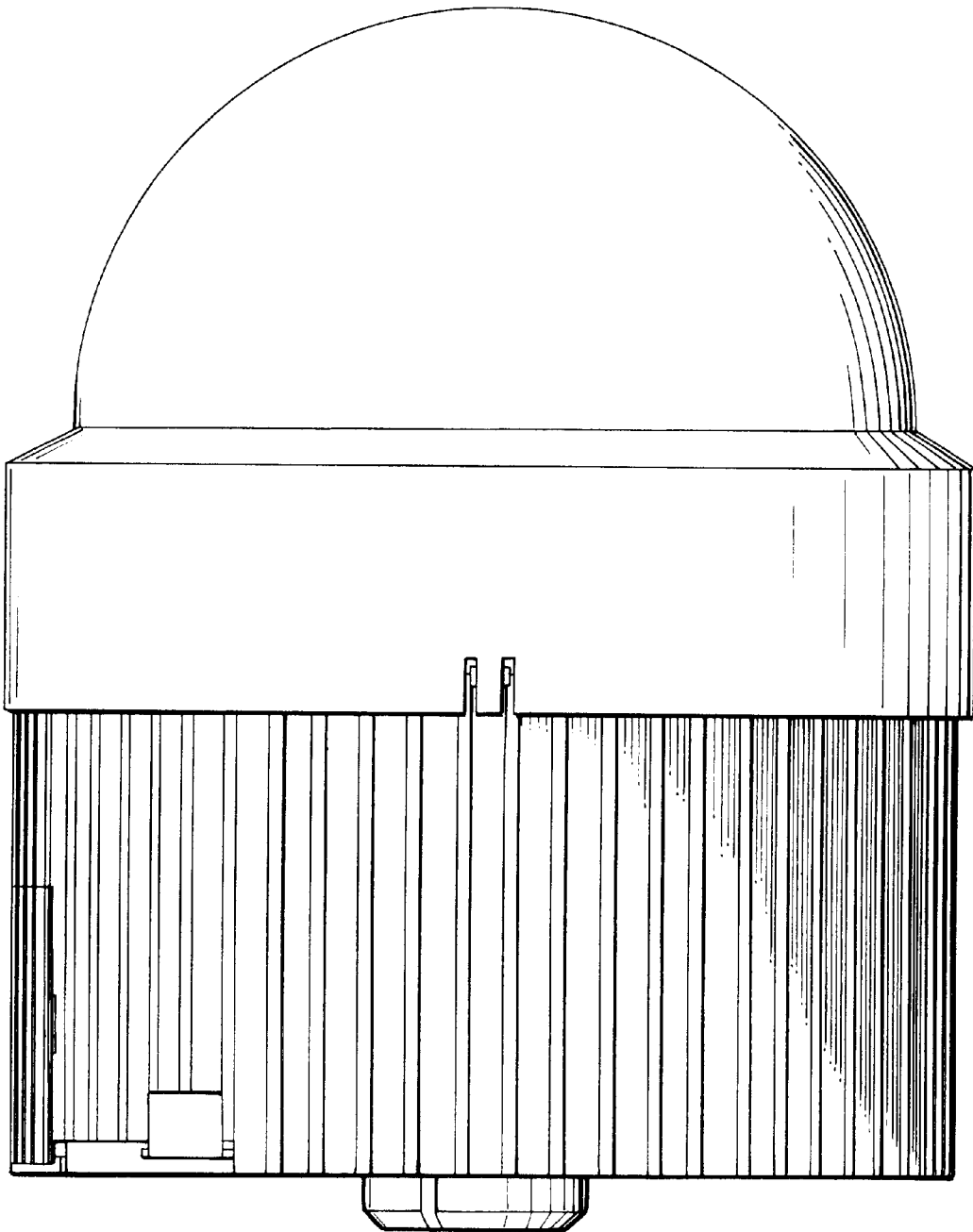


FIG. 5

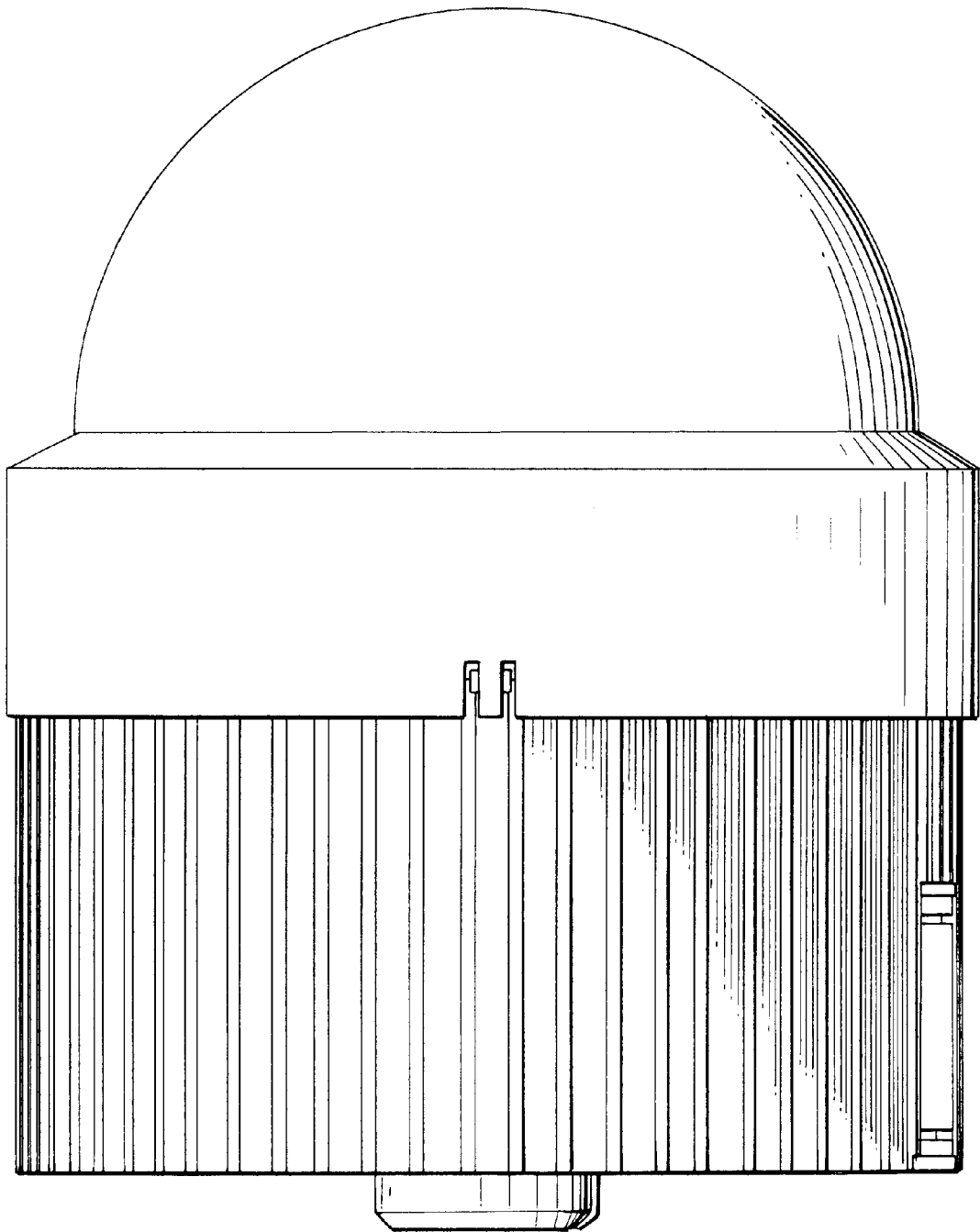


FIG. 6

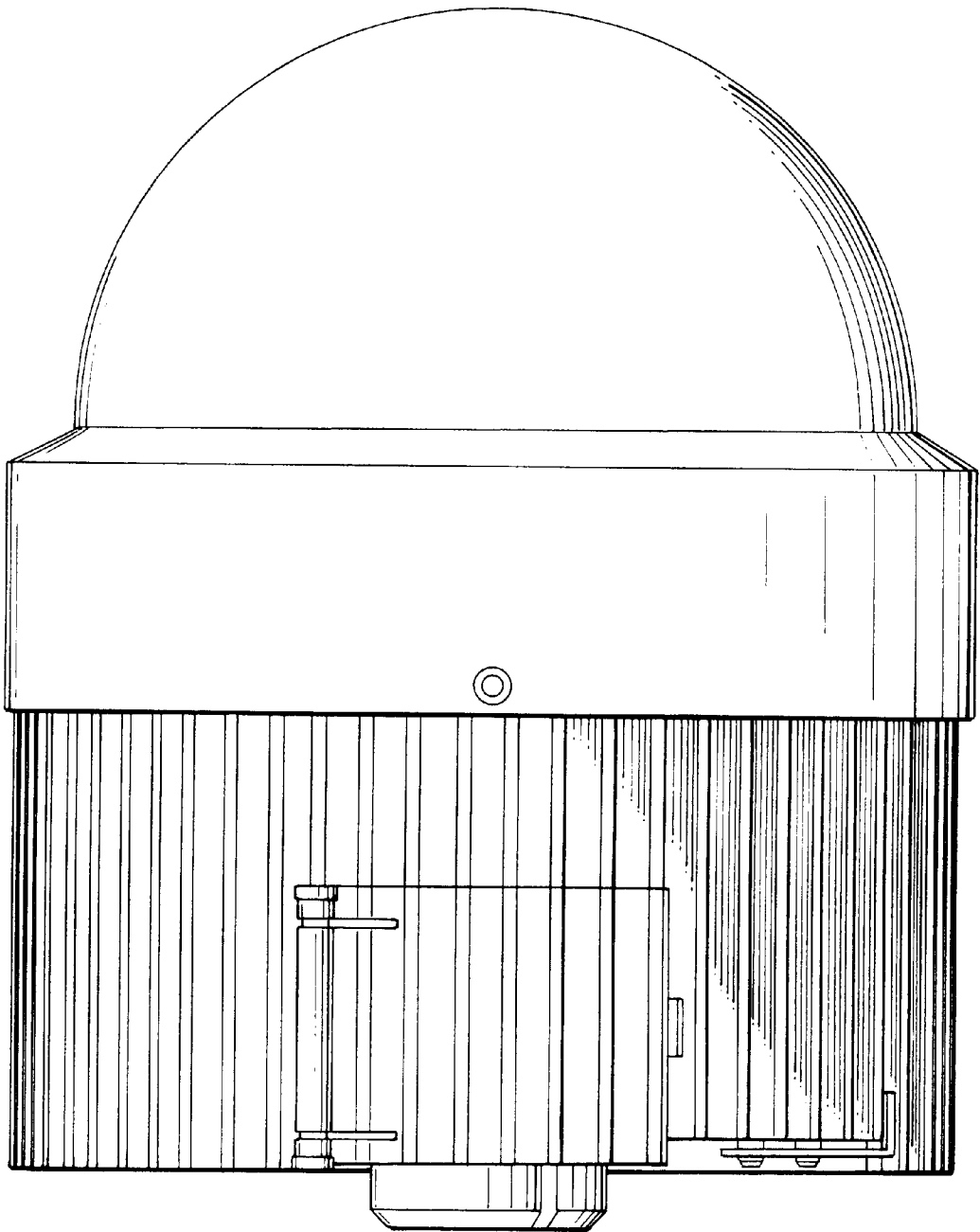


FIG. 7

