



US00D856265S

(12) **United States Design Patent** (10) **Patent No.:** **US D856,265 S**  
**Tomasson et al.** (45) **Date of Patent:** **\*\* Aug. 13, 2019**

(54) **CENTRAL CONSOLE**  
(71) Applicant: **NIO NEXTEV LIMITED**, Hong Kong (HK)  
(72) Inventors: **Kris Tomasson**, Hong Kong (HK); **Jochen Paesen**, Hong Kong (HK); **Julien Cueff**, Hong Kong (HK)  
(73) Assignee: **NIO NEXTEV LIMITED**, Hong Kong (HK)  
(\*\*) Term: **15 Years**  
(21) Appl. No.: **29/613,694**  
(22) Filed: **Aug. 11, 2017**

D766,811 S \* 9/2016 Shouno ..... D12/419  
D770,361 S \* 11/2016 Chan ..... D12/419  
D781,210 S \* 3/2017 Itou ..... D12/419  
D808,330 S \* 1/2018 Kuwahara ..... D12/419  
D824,838 S \* 8/2018 Takamura ..... D12/419  
D827,549 S \* 9/2018 Igarashi ..... D12/419  
D830,951 S \* 10/2018 Karasawa ..... D12/419  
D832,187 S \* 10/2018 Buffery ..... D12/419  
D836,059 S \* 12/2018 Takagi ..... D12/415  
D836,060 S \* 12/2018 Takagi ..... D12/415

\* cited by examiner  
*Primary Examiner* — Katrina A Betton  
(74) *Attorney, Agent, or Firm* — Hogan Lovells US LLP

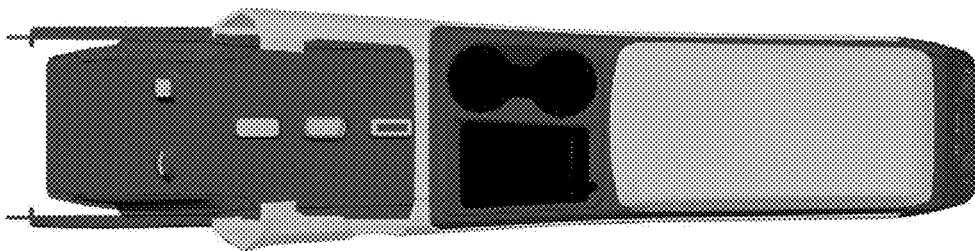
(30) **Foreign Application Priority Data**  
Apr. 17, 2017 (CN) ..... 2017 3 0127210  
(51) **LOC (12) Cl.** ..... **12-16**  
(52) **U.S. Cl.**  
USPC ..... **D12/419**  
(58) **Field of Classification Search**  
USPC ..... D12/415, 419  
CPC ..... B60N 2/46; B60N 3/10; C03C 3/085  
See application file for complete search history.

(57) **CLAIM**  
The ornamental design for a central console, as shown and described.

(56) **References Cited**  
**U.S. PATENT DOCUMENTS**  
D724,521 S \* 3/2015 Ashley ..... D12/419  
D725,583 S \* 3/2015 Seki ..... D12/419

**DESCRIPTION**  
FIG. 1 is a left view thereof;  
FIG. 2 is a right view thereof;  
FIG. 3 is a front side view thereof;  
FIG. 4 is a rear view thereof;  
FIG. 5 is a top view thereof;  
FIG. 6 is a bottom view thereof;  
FIG. 7 is a perspective view thereof; and,  
FIG. 8 is a perspective view thereof.

**1 Claim, 5 Drawing Sheets**



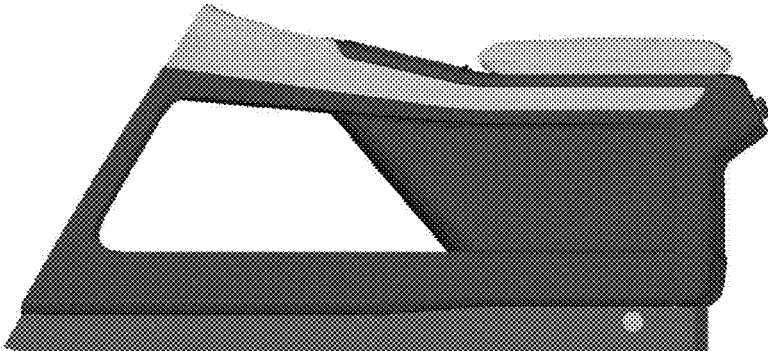


Fig. 1

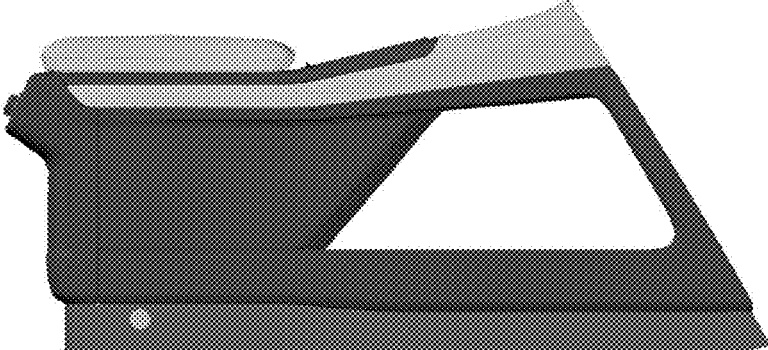


Fig. 2

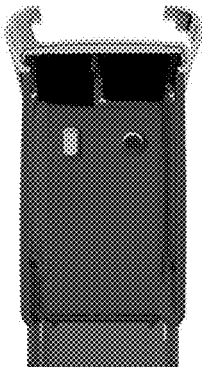


Fig. 3

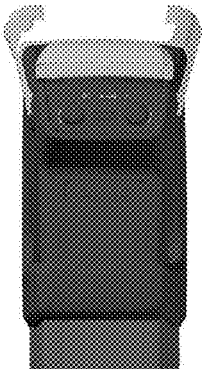


Fig. 4

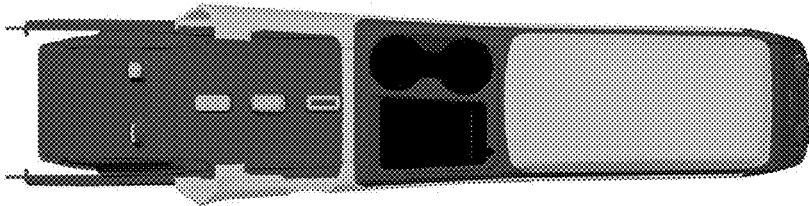


Fig. 5

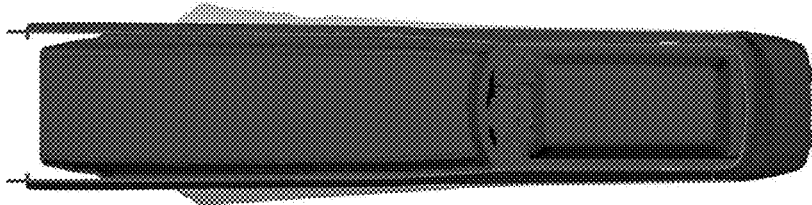


Fig. 6

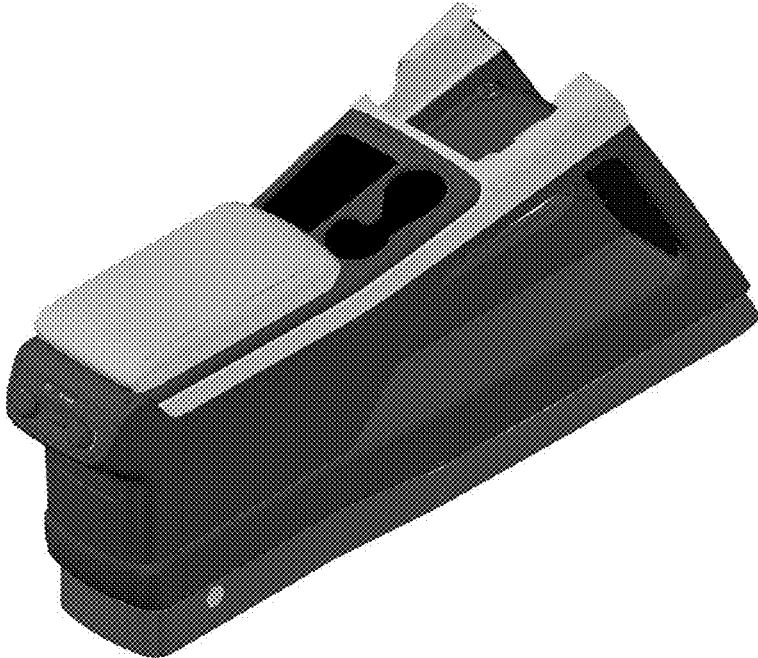


Fig. 7

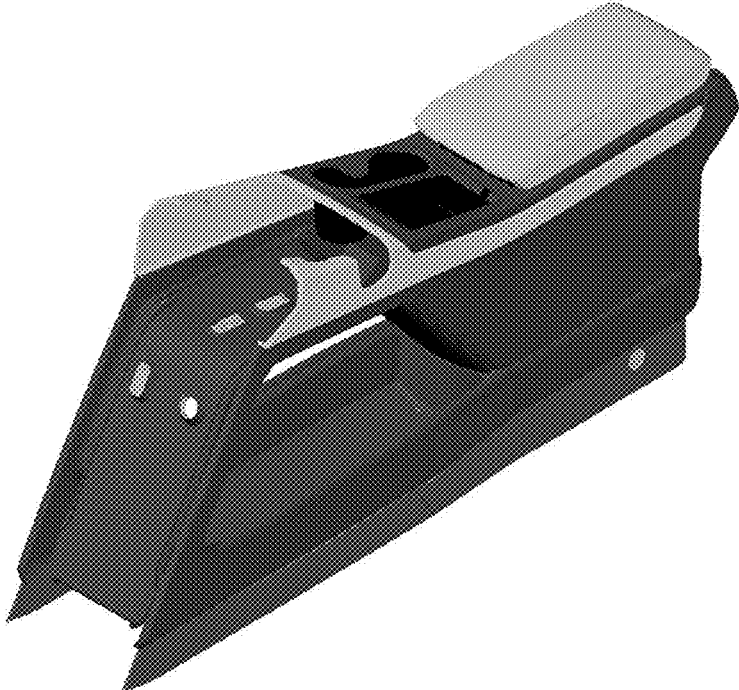


Fig. 8