



(86) **Date de dépôt PCT/PCT Filing Date:** 2014/01/23
 (87) **Date publication PCT/PCT Publication Date:** 2014/08/07
 (85) **Entrée phase nationale/National Entry:** 2015/07/21
 (86) **N° demande PCT/PCT Application No.:** US 2014/012731
 (87) **N° publication PCT/PCT Publication No.:** 2014/120550
 (30) **Priorités/Priorities:** 2013/02/01 (US61/759,599);
 2013/02/01 (US61/759,577); 2013/02/01 (US61/759,592);
 2013/02/01 (US61/759,584); 2013/09/18 (US14/029,936)

(51) **Cl.Int./Int.Cl. E21B 34/06** (2006.01),
E21B 23/06 (2006.01), **E21B 33/128** (2006.01)
 (71) **Demandeur/Applicant:**
 SCHLUMBERGER CANADA LIMITED, CA
 (72) **Inventeurs/Inventors:**
 JACOB, GREGOIRE, US;
 BERTOJA, MICHAEL J., US;
 BAIHLY, JASON, US
 (74) **Agent:** SMART & BIGGAR

(54) **Titre : DEPLOIEMENT D'UN ENSEMBLE SIEGE DE FOND EXTENSIBLE**
 (54) **Title: DEPLOYING AN EXPANDABLE DOWNHOLE SEAT ASSEMBLY**

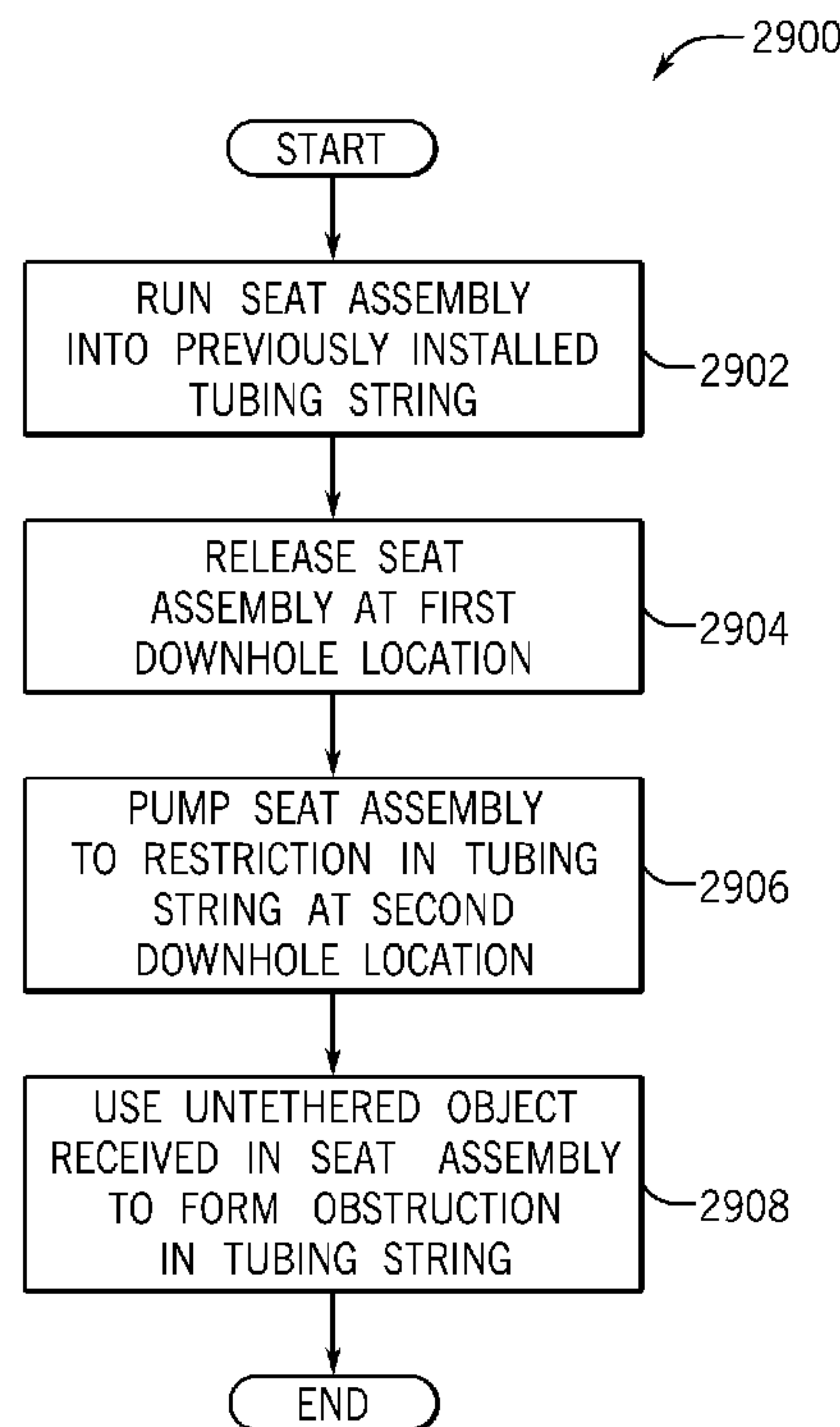


FIG. 29

(57) **Abrégé/Abstract:**

A technique that is usable with a well includes deploying a seat assembly into a tubing string; releasing the seat assembly at a downhole location inside the tubing string; pumping the seat assembly to a restriction in the tubing string at a second downhole location; and using an untethered object received in a seat assembly to form an obstruction in the tubing string.

(12) INTERNATIONAL APPLICATION PUBLISHED UNDER THE PATENT COOPERATION TREATY (PCT)

(19) World Intellectual Property
Organization
International Bureau(10) International Publication Number
WO 2014/120550 A1(43) International Publication Date
7 August 2014 (07.08.2014)

- (51) International Patent Classification: 61/759,599 1 February 2013 (01.02.2013) US
 E21B 34/06 (2006.01) E21B 33/128 (2006.01) 14/029,936 18 September 2013 (18.09.2013) US
 E21B 23/06 (2006.01)
- (21) International Application Number: PCT/US2014/012731
- (22) International Filing Date: 23 January 2014 (23.01.2014)
- (25) Filing Language: English
- (26) Publication Language: English
- (30) Priority Data:
 61/759,577 1 February 2013 (01.02.2013) US
 61/759,584 1 February 2013 (01.02.2013) US
 61/759,592 1 February 2013 (01.02.2013) US
- (71) Applicant (for CA only): SCHLUMBERGER CANADA LIMITED [CA/CA]; 525-3rd Avenue Southwest, Calgary, Alberta T2P-0G4 (CA).
- (71) Applicant (for FR only): SERVICES PETROLIERS SCHLUMBERGER [FR/FR]; 42 rue Saint Dominique, F-75007 Paris (FR).
- (71) Applicant (for GB, JP, NL only): SCHLUMBERGER HOLDINGS LIMITED; P.O. Box 71, Craigmuir Chambers, Road Town, Tortola, Virgin Islands, British, 1110 (VG).
- (71) Applicant (for all designated States except AE, AO, BH, CA, CN, FR, GB, GH, IN, JP, LY, MA, MZ, NA, NG, NL,

[Continued on next page]

(54) Title: DEPLOYING AN EXPANDABLE DOWNHOLE SEAT ASSEMBLY

(57) Abstract: A technique that is usable with a well includes deploying a seat assembly into a tubing string; releasing the seat assembly at a downhole location inside the tubing string; pumping the seat assembly to a restriction in the tubing string at a second downhole location; and using an untethered object received in a seat assembly to form an obstruction in the tubing string.

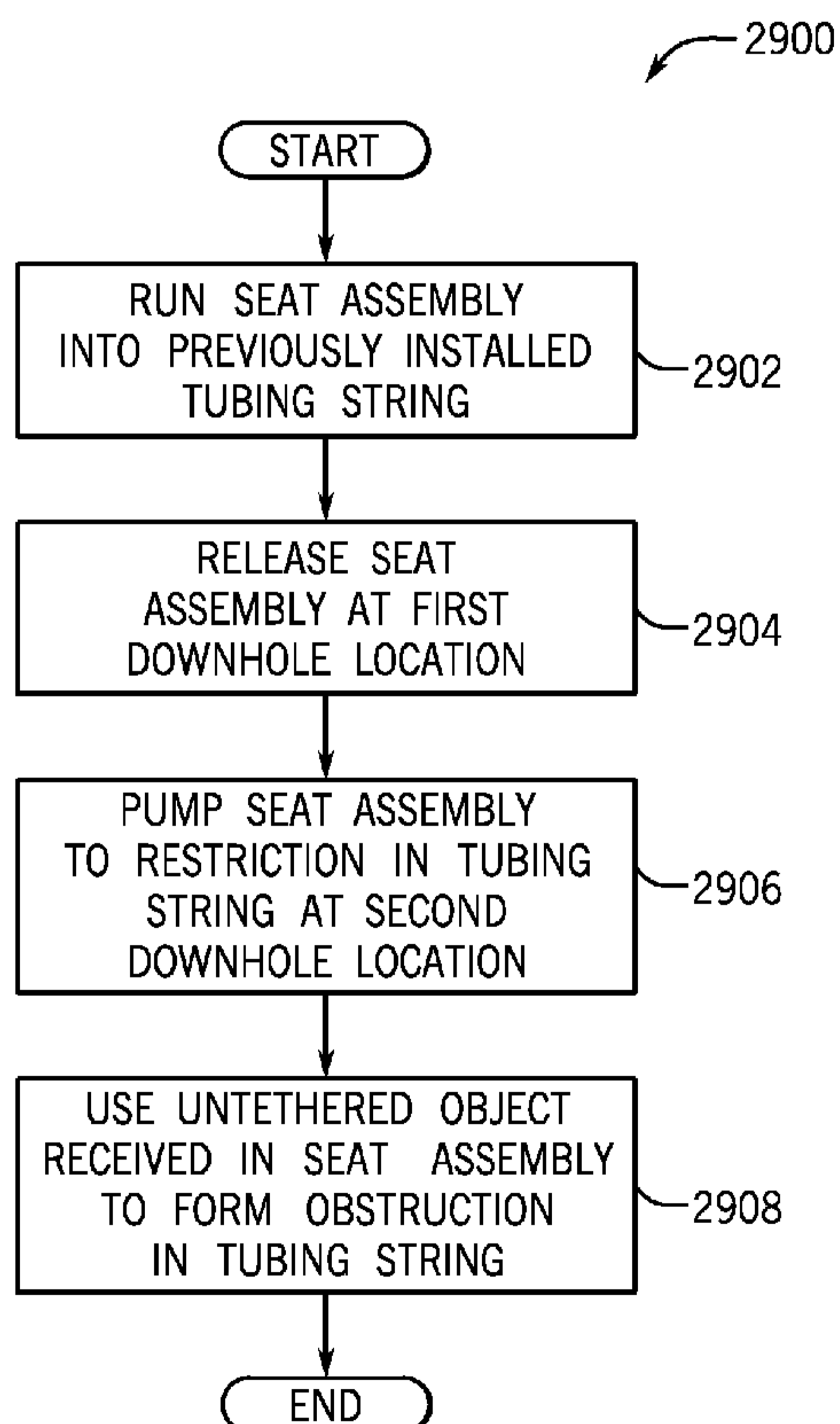


FIG. 29

 WO 2014/120550 A1

WO 2014/120550 A1

PH, SD, SY, US, VN): **SCHLUMBERGER TECHNOLOGY B.V.** [NL/NL]; Parkstraat 83-89m, NL-2514 JG The Hague (NL).

(71) **Applicant** (*for AE, AO, BF, BH, BJ, CF, CG, CI, CM, CN, GA, GH, GN, GQ, GW, IN, KM, LY, MA, ML, MR, MZ, NA, NE, NG, PH, SD, SN, SY, TD, TG, VN only*): **PRAD RESEARCH AND DEVELOPMENT LIMITED**; P.O. Box 71, Craigmuir Chambers, Road Town, Tortola, Virgin Island, British, 1110 (VG).

(71) **Applicant** (*for US only*): **SCHLUMBERGER TECHNOLOGY CORPORATION** [US/US]; 300 Schlumberger Drive, Sugar Land, TX 77478 (US).

(72) **Inventors**: **JACOB, Gregoire**; 2380 S. MacGregor Way, # 253, Houston, TX 77021 (US). **BERTOJA, Michael, J.**; 5009 Holly St., Bellaire, TX 77401 (US). **BAIHLY, Jason**; 1206 Pelican Hill Ct, Katy, TX 77494 (US).

(74) **Agents**: **PETERSON, Jeffery, R.** et al.; 10001 Richmond Avenue, IP Administration Center of Excellence, Room 4720, Houston, TX 77042 (US).

(81) **Designated States** (*unless otherwise indicated, for every kind of national protection available*): AE, AG, AL, AM,

AO, AT, AU, AZ, BA, BB, BG, BH, BN, BR, BW, BY, BZ, CA, CH, CL, CN, CO, CR, CU, CZ, DE, DK, DM, DO, DZ, EC, EE, EG, ES, FI, GB, GD, GE, GH, GM, GT, HN, HR, HU, ID, IL, IN, IR, IS, JP, KE, KG, KN, KP, KR, KZ, LA, LC, LK, LR, LS, LT, LU, LY, MA, MD, ME, MG, MK, MN, MW, MX, MY, MZ, NA, NG, NI, NO, NZ, OM, PA, PE, PG, PH, PL, PT, QA, RO, RS, RU, RW, SA, SC, SD, SE, SG, SK, SL, SM, ST, SV, SY, TH, TJ, TM, TN, TR, TT, TZ, UA, UG, US, UZ, VC, VN, ZA, ZM, ZW.

(84) **Designated States** (*unless otherwise indicated, for every kind of regional protection available*): ARIPO (BW, GH, GM, KE, LR, LS, MW, MZ, NA, RW, SD, SL, SZ, TZ, UG, ZM, ZW), Eurasian (AM, AZ, BY, KG, KZ, RU, TJ, TM), European (AL, AT, BE, BG, CH, CY, CZ, DE, DK, EE, ES, FI, FR, GB, GR, HR, HU, IE, IS, IT, LT, LU, LV, MC, MK, MT, NL, NO, PL, PT, RO, RS, SE, SI, SK, SM, TR), OAPI (BF, BJ, CF, CG, CI, CM, GA, GN, GQ, GW, KM, ML, MR, NE, SN, TD, TG).

Published:

— *with international search report (Art. 21(3))*

DEPLOYING AN EXPANDABLE DOWNHOLE SEAT ASSEMBLY

BACKGROUND

[001] A variety of different operations may be performed when preparing a well for production of oil or gas. Some operations may be implemented to help increase the productivity of the well and may include the actuation of one or more downhole tools. Additionally, some operations may be repeated in multiple zones of a well. For example, well stimulation operations may be performed to increase the permeability of the well in one or more zones. In some cases, a sleeve may be shifted to provide a pathway for fluid communication between an interior of a tubing string and a formation. The pathway may be used to fracture the formation or to extract oil or gas from the formation. Another well stimulation operation may include actuating a perforating gun to perforate a casing and a formation to create a pathway for fluid communication. These and other operations may be performed using various techniques, such as running a tool into the well on a conveyance mechanism to mechanically shift or inductively communicate with the tool to be actuated, pressurizing a control line, and so forth.

SUMMARY

[002] The summary is provided to introduce a selection of concepts that are further described below in the detailed description. This summary is not intended to be used as an aid in limiting the scope of the claimed subject matter.

[003] In an example implementation, a technique includes deploying a seat assembly into a tubing string within a well and releasing the seat assembly inside the tubing string. The technique further includes pumping the seat assembly to a restriction in the tubing string and receiving an untethered object with the seat assembly to form an obstruction in the tubing string.

[004] In another example implementation, an apparatus includes a tubing string installable in a well. The tubing string includes a passageway and a restriction in the passageway. The apparatus also includes a seat assembly having a contracted state and an expanded state, the contracted state having a smaller diameter than the expanded state, and a setting tool adapted to deploy the seat assembly in the passageway and release the seat assembly at a downhole location. The seat assembly is adapted to be pumped from the downhole location to the restriction.

[005] In yet another example implementation, a technique includes deploying a seat assembly downhole in a tubing string on a conveyance mechanism and releasing the seat assembly from the conveyance mechanism inside the tubing string uphole of a feature of the tubing string. The technique also includes communicating fluid into the tubing string to move the seat assembly inside the tubing string until the seat assembly engages the feature and deploying an untethered object in the tubing string to land in the seat assembly and form a fluid barrier in the tubing string. Further, the technique includes using the fluid barrier to perform a downhole operation.

BRIEF DESCRIPTION OF THE DRAWINGS

[006] Fig. 1 is a schematic diagram of a well according to an example implementation.

[007] Fig. 2 illustrates a stimulation operation in a stage of the well of Fig. 1 according to an example implementation.

[008] Fig. 3A is a schematic diagram of a well illustrating multiple stages with sleeves according to an example implementation.

[009] Fig. 3B illustrates a seat assembly installed in a stage of the well of Fig. 3A according to an example implementation.

[0010] Fig. 3C illustrates an untethered object landing on the seat assembly of Fig. 3B according to an example implementation.

[0011] Fig. 3D illustrates a sleeve in a stage of the well shifted by the untethered object of Fig. 3C according to an example implementation.

[0012] Fig. 3E illustrates the shifted sleeve of Fig. 3D with the untethered object dissolved according to an example implementation.

[0013] Fig. 4 is a schematic view illustrating an expandable, segmented seat assembly in a contracted state and inside a tubing string according to an example implementation.

[0014] Fig. 5 is a cross-sectional view taken along line 5-5 of Fig. 4 according to an example implementation.

[0015] Fig. 6 is a cross-sectional view taken along line 6-6 of Fig. 4 according to an example implementation.

[0016] Fig. 7 is a perspective view of the seat assembly in an expanded state according to an example implementation.

[0017] Fig. 8 is a top view of the seat assembly of Fig. 7 according to an example implementation.

[0018] Fig. 9 is a flow diagram depicting a technique to deploy and use an expandable seat assembly according to an example implementation.

[0019] Fig. 10 is a cross-sectional view of the seat assembly in an expanded state inside a tubing string according to an example implementation.

[0020] Fig. 11 is a cross-sectional view of the seat assembly in an expanded state inside a tubing string and in receipt of an activation ball according to an example implementation.

[0021] Figs. 12 and 13 are perspective views of expandable seat assemblies according to further example implementations.

[0022] Fig. 14 is a cross-sectional view of the seat assembly taken along line 14-14 of Fig. 13 when the seat assembly is in receipt of an activation ball according to an example implementation.

[0023] Fig. 15 is a flow diagram depicting a technique to deploy and use an expandable seat assembly according to a further example implementation.

[0024] Fig. 16A is a perspective view of a seat assembly setting tool and a segmented seat assembly according to an example implementation.

[0025] Fig. 16B is a bottom view of the seat assembly setting tool and seat assembly of Fig. 16A according to an example implementation.

[0026] Fig. 16C is a cross-sectional view taken along line 16C-16C of Fig. 16A according to an example implementation.

[0027] Fig. 17 is a cross-sectional view of a seat assembly setting tool and a segmented seat assembly according to a further example implementation.

[0028] Figs. 18A, 18B, 18C, 18D, 18E and 18F are cross-sectional views illustrating use of the setting tool to expand an upper segment of the seat assembly to transition the seat assembly to an expanded state according to an example implementation.

[0029] Figs. 19A, 19B, 19C, 19D, 19E and 19F are cross-sectional views illustrating use of the setting tool to expand a lower segment of the seat assembly to transition the seat assembly to the expanded state according to an example

implementation.

[0030] Figs. 20A, 20B, 20C and 20D are cross-sectional views illustrating use of a setting tool to expand an upper segment of the seat assembly to transition the seat assembly to the expanded state according to a further example implementation.

[0031] Figs. 21A, 21B, 21C and 21D are cross-sectional views illustrating use of a setting tool to expand a lower segment of the seat assembly to transition the seat assembly to the expanded state according to a further example implementation.

[0032] Figs. 22A, 22B, 22C, 22D, 22E and 22F are cross-sectional views of a setting tool and a segmented seat assembly illustrating use of the setting tool to expand an upper segment of the seat assembly to transition the seat assembly to the expanded state according to an example implementation.

[0033] Fig. 22G is a cross-sectional view taken along line 22G-22G of Fig. 22A according to an example implementation.

[0034] Figs. 22H, 22I, 22J and 22K are cross-sectional views of the setting tool and the segmented seat assembly illustrating use of the setting tool to expand a lower segment of the seat assembly to transition the seat assembly to the expanded state according to an example implementation.

[0035] Fig. 23 is a flow diagram depicting a technique to use a setting tool to transition a segmented seat assembly between contracted and expanded states according to example implementations.

[0036] Figs. 24A and 24B illustrate surfaces of the rod and mandrel of a seat assembly setting tool for a two layer seat assembly according to an example implementation.

[0037] Figs. 25A, 25B and 25C illustrate surfaces of the rod and mandrel of a seat assembly setting tool for a three layer seat assembly according to an example implementation.

[0038] Figs. 26A, 26B, 26C and 26D illustrate surfaces of the rod and mandrel of a seat assembly setting tool for a four layer seat assembly according to an example

implementation.

[0039] Figs. 27A, 27B, 27C, 27D, 27E and 27F are schematic diagrams illustrating deployment of a segmented seat assembly in a tubing string and use of the seat assembly to form a downhole obstruction according to an example implementation.

[0040] Figs. 28A, 28B, 28C, 28D, 28E, 28F and 28G are schematic diagrams illustrating deployment of a segmented seat assembly in a tubing string and use of the seat assembly to form a downhole obstruction according to a further example implementation.

[0041] Figs. 29, 30 and 31 are flow diagrams depicting technique to deploy a segmented seat assembly in a tubing string and use the seat assembly to form a downhole obstruction according to example implementations.

[0042] Fig. 32 is a perspective view of a seat assembly according to an example implementation.

DETAILED DESCRIPTION

[0043] Systems and techniques are disclosed herein to deploy and use a seat assembly. In some embodiments, the systems and techniques may be used in a well for purposes of performing a downhole operation. In this regard, the seat assembly that is disclosed herein may be run downhole in the well in a passageway of a tubing string that was previously installed in the well and secured to the tubing string at a desired location in which a downhole operation is to be performed. The tubing string may take the form of multiple pipes coupled together and lowered into a well. The downhole operation may be any of a number of operations (stimulation operations, perforating operations, and so forth) that rely on an object being landed in a seat of the seat assembly.

[0044] The seat assembly is an expandable, segmented assembly, which has two states: an unexpanded state and an expanded state. The unexpanded state has a smaller cross-section than the expanded state. The smaller cross-section allows running of the seat assembly downhole inside a tubing string. The expanded state forms a seat (e.g., a ring) that is constructed to catch an object deployed in the string. The seat and the object together may form a downhole fluid obstruction, or barrier. In accordance with example implementations, in its expanded state, the seat assembly is constructed to receive, or catch, an untethered object deployed in the tubing string. In this context, the "untethered object" refers to an object that is communicated downhole through the tubing string without the use of a conveyance line (a slickline, a wireline, a coiled tubing string and so forth) for at least a portion of its travel through the tubing string. As examples, the untethered object may take the form of a ball (or sphere), a dart or a bar.

[0045] The untethered object may, in accordance with example implementations, be deployed on the end of a tool string, which is conveyed into the well by wireline, slickline, coiled tubing, and so forth. Moreover, the untethered object may be, in accordance with example implementations, deployed on the end of a tool string, which includes a setting tool that deploys the segmented seat assembly. Thus, many variations are contemplated and the appended claims should be read broadly as possibly to include all such variations.

[0046] In accordance with example implementations, the seat assembly is a segmented apparatus that contains multiple curved sections that are constructed to radially contract and axially expand into multiple layers to form the contracted state. Additionally, the sections are constructed to radially expand and axially contract into a single layer to form a seat in the expanded state of the seat assembly to catch an object. A setting tool may be used to contact the sections of the seat assembly for purposes of transitioning the seat assembly between the expanded and contracted states, as further described herein.

[0047] In accordance with some implementations, a well 10 includes a wellbore 15. The wellbore 15 may traverse one or more hydrocarbon-bearing formations. As an example, a tubing string 20, as depicted in Fig. 1, can be positioned in the wellbore 15. The tubing string 20 may be cemented to the wellbore 15 (such wellbores are typically referred to as "cased hole" wellbores); or the tubing string 20 may be secured to the surrounding formation(s) by packers (such wellbores typically are referred to as "open hole" wellbores). In general, the wellbore 15 may extend through multiple zones, or stages 30 (four example stages 30a, 30b, 30c and 30d, being depicted in Fig. 1, as examples), of the well 10.

[0048] It is noted that although Fig. 1 and other figures disclosed herein depict a lateral wellbore, the techniques and systems that are disclosed herein may likewise be applied to vertical wellbores. Moreover, in accordance with some implementations, the well 10 may contain multiple wellbores, which contain tubing strings that are similar to the illustrated tubing string 20 of Fig. 1. The well 10 may be a subsea well or may be a terrestrial well, depending on the particular implementations. Additionally, the well 10 may be an injection well or may be a production well. Thus, many implementations are contemplated, which are within the scope of the appended claims.

[0049] Downhole operations may be performed in the stages 30 in a particular directional order, in accordance with example implementations. For example, downhole operations may be conducted in a direction from a toe end of the wellbore to a heel end of the wellbore 15, in accordance with some implementations. In further implementations,

these downhole operations may be connected from the heel end to the toe end (e.g., terminal end) of the wellbore 15. In accordance with further example implementations, the operations may be performed in no particular order, or sequence.

[0050] Fig. 1 depicts that fluid communication with the surrounding hydrocarbon formation(s) has been enhanced through sets 40 of perforation tunnels that, for this example, are formed in each stage 30 and extend through the tubing string 20. It is noted that each stage 30 may have multiple sets of such perforation tunnels 40. Although perforation tunnels 40 are depicted in Fig. 1, it is understood that other techniques may be used to establish/enhance fluid communication with the surrounding formation (s), as the fluid communication may be established using, for example, a jetting tool that communicates an abrasive slurry to perforate the tubing string wall; opening sleeve valves of the tubing string 20; and so forth.

[0051] Referring to Fig. 2 in conjunction with Fig. 1, as an example, a stimulation operation may be performed in the stage 30a by deploying an expandable, segmented seat assembly 50 (herein called the “seat assembly”) into the tubing string 20 on a setting tool (as further disclosed herein) in a contracted state of the assembly 50. In the contracted state, the assembly 50 has an outer diameter to allow it to be run-in-hole. The seat assembly 50 is expanded downhole in the well. In its expanded state, the seat assembly 50 has a larger outer diameter than in its contracted state. Additionally, the seat assembly 50 is shorter longitudinally in the expanded state than the contracted state. In the expanded state, the seat assembly 50 engages, and is secured on, an inner surface of the tubing string 20 at a targeted location in the stage 30a. For the example implementation depicted in Fig. 2, the seat assembly 50 is secured in the tubing string 20 near the bottom, or downhole end, of the stage 30a. Once secured inside the tubing string 20, the combination of the seat assembly 50 and an untethered object (here, an activation ball 150) form a fluid tight obstruction, or barrier, to divert fluid in the tubing string 20 uphole of the barrier. That is, fluid is unable to pass from uphole of the seat assembly 50 and activation ball 150 to downhole of the seat assembly and activation ball. Thus, for the example implementation of Fig. 2, the fluid barrier may be used to direct fracture fluid (e.g., fracture fluid pumped into the tubing string 20 from the Earth surface) into the stage

30a.

[0052] Fig. 3A depicts an example tubing string 312 of a well 300, which has a central passageway 314 and extends through associated stages 30a, 30b, 30c and 30d of the well 300. Each stage 30 has an associated sleeve 240, which resides in a recess 231 of the tubing string 312. The sleeve 240 may have been previously positioned in the stage 30. For the state of the well 300 depicted in Fig. 3A, the sleeve 240 is positioned in the well in a closed state and therefore covers radial ports 230 in the tubing string wall. As an example, each stage 30 may be associated with a given set of radial ports 230, so that by communicating an untethered object downhole inside the passageway 314 of the tubing string 312 and landing the ball in a seat of a seat assembly 237 (see Fig. 3B), a corresponding fluid barrier may be formed to divert fluid through the associate set of radial ports 230.

[0053] Referring to Fig. 3B, as shown, the seat assembly 237 has been deployed (attached, anchored, swaged) to the sleeve 240. A shoulder 238 on the sleeve 240 which engages a corresponding shoulder of the seat assembly 237 may be provided to connect the seat assembly 237 and the sleeve 240. Other connection methods may be used, such as recess on the sleeve 240, a direct anchoring with the seat assembly 237, and so forth.

[0054] It is noted that the seat assemblies 237 may be installed one by one after the stimulation of each stage 30 (as discussed further below); or multiple seat assemblies 237 may be installed in a single trip into the well 300. Therefore, the seat, or inner catching diameter of the seat assembly 237, for the different assemblies 237, may have different dimensions, such as inner dimensions that are relatively smaller downhole and progressively become larger moving in an uphole direction (e.g., towards surface). This can permit the use of differently-sized untethered objects to land on the seat assemblies 237 without further downhole intervention. Thus, continuous pumping treatment of multiple stages 30 may be achieved.

[0055] Referring to Fig. 3C, this figure depicts the landing of the untethered object 150 on the seat assembly 237 of the stage 30a. At this point, the untethered object 150 has been caught by the seat assembly 237.

[0056] Referring to Fig. 3D, due to the force that is exerted by the untethered object 150, due to, for example, either the momentum of the untethered object 150 or the pressure differential created by the untethered object, the sleeve 240 and the seat assembly 237 can be shifted downhole, revealing the radial ports 230. In this position, a pumping treatment (the pumping of a fracturing fluid, for example) may be performed in the stage 30a.

[0057] Fig. 3E depicts the stage 30a with the sleeve 240 in the opened position and with the seat assembly 237 and untethered object 150 being dissolved, as further discussed below.

[0058] As an example, Fig. 4 is a perspective of the seat assembly 50, and Figs. 5 and 6 illustrate cross-sectional views of the seat assembly 50 of Fig. 4, in accordance with an example implementation. Referring to Fig. 4, this figure depicts the seat assembly 50 in a contracted state, i.e., in a radially collapsed state having a smaller outer diameter, which facilitates travel of the seat assembly 50 downhole to its final position. The seat assembly, 50 for this example implementation, has two sets of arcuate segments: three upper segments 410; and three lower segments 420. In the contracted state, the segments 410 and 420 are radially contracted and are longitudinally, or axially, expanded into two layers 412 and 430.

[0059] The upper segment 410 can have a curved wedge that has a radius of curvature about the longitudinal axis of the seat assembly 50 and can be larger at its top end than at its bottom end. The lower segment 420 can have an arcuate wedge that has a radius of curvature about the longitudinal axis (as the upper segment 410) and can be larger at its bottom end than at its top end. Due to the relative complementary profiles of the segments 410 and 420, when the seat assembly 50 expands (i.e., when the segments 410 and 420 radially expand and the segments 410 and 420 axially contract), the two layers 412 and 430 longitudinally, or axially, compress into a single layer of segments such that each upper segment 410 is complementarily received between two lower segments 420, and vice versa, as depicted in Fig. 7. In its expanded state, the seat assembly 50 forms a tubular member having a seat that is sized to catch an untethered

object deployed in the tubing string 20.

[0060] An upper curved surface of each of the segments 410 and 420 can form a corresponding section of a seat ring 730 (i.e., the “seat”) of the seat assembly 50 when the assembly 50 is in its expanded state. As depicted in Fig. 8, in its expanded state, the seat ring 730 of the seat assembly 50 defines an opening 710 sized to control the size of objects that pass through the seat ring 730 and the size of objects the seat ring 730 catches.

[0061] Thus, referring to Fig. 9, in accordance with example implementations, a technique 900 includes deploying (block 902) a segmented seat assembly into a tubing string and radially expanding (block 904) the seat assembly to attach the seat assembly to a tubing string at a downhole location and form a seat to receive an untethered object. Pursuant to the technique 900, a seat of the seat assembly catches an object and is used to perform a downhole operation (block 908).

[0062] The seat assembly 50 may attach to the tubing string in numerous different ways, depending on the particular implementation. For example, Fig. 10 depicts an example tubing string 20 that contains a narrowed seat profile 1020, which complements an outer profile of the seat assembly 50 in its expanded state. In this regard, as depicted in Fig. 10, the segments 410 and 420 contain corresponding outer profiles 1010 that engage the tubing profile 1010 to catch the seat assembly 50 on the profile 1020. In accordance with example implementations, at the seat profile 1020, the tubing string 50 has a sufficiently small cross-section, or diameter for purposes of forming frictional contact to allow a setting tool to transition the seat assembly 50 to the expanded state, as further disclosed herein.

[0063] Moreover, in accordance with example implementations, the full radial expansion and actual contraction of the seat assembly 50 may be enhanced by the reception of the untethered object 150. As shown in Fig. 11, the untethered object 150 has a diameter that is sized to land in the seat ring 730 and further expands the seat assembly 50.

[0064] Further systems and techniques to run the seat assembly 50 downhole and

secure the seat assembly 50 in place downhole are further discussed below.

[0065] Other implementations are contemplated. For example, Fig. 12 depicts a seat assembly 1200 that has similar elements to the seat assembly 50, with similar reference numerals being used to depict similar elements. The seat assembly 1200 has segments 1220 that replace the segments 420. The segments 1220 can be arcuate and wedge-shaped sections similar to the segments 420. However, unlike the segments 420, the segments 1220 have anchors, or slips 1230, that are disposed on the outer surface of the segments 1220 for purposes of securing or anchoring the seat assembly 1200 to the tubing string wall when the segments 1220 radially expand. As another example, Fig. 13 depicts a seat assembly 1300 that has similar elements to the seat assembly 1200, with similar reference numerals being used to depict similar elements.

[0066] The seat assembly 1300 can contain fluid seals. In this manner, in accordance with example implementations, the seat assembly 1300 has fluid seals 1320 that are disposed between the axially extending edges of the segments 410 and 1220. The fluid seals 1320 help to create a fluid seal when an object lands on the seat assembly 1300. Moreover, the seat assembly 1300 includes a peripherally extending seal element 1350 (an o-ring, for example), which extends about the periphery of the segments 410 and 1220 to form a fluid seal between the outer surface of the expanded seat assembly 1300 and the inner surface of the tubing string wall. Fig. 14 depicts a cross-sectional view of the seat assembly 1300 of Fig. 13 in the radially expanded state when receiving an untethered object 150.

[0067] The collective outer profile of the segments 410 and 420 may be contoured in a manner to form an object that engages a seat assembly that is disposed further downhole. In this manner, after the seat assembly 1300 performs its intended function by catching the untethered object, the seat assembly may then be transitioned (via a downhole tool, for example) into its radially contracted state so that the seat assembly (or a portion thereof) may travel further downhole and serve as an untethered object to perform another downhole operation.

[0068] As a more specific example, in accordance with further implementations, a

segmented seat assembly 3200 of Fig. 32 may be used. In general, the segmented seat assembly 3200 has upper seat segments 410 and lower seat segments 420, similar to the seat segments discussed above. The segmented seat assembly 3200 includes a lower contoured cap 3210, which is profiled (having, for example, beveled features, as depicted at reference number 3214) for purposes of forming a contoured profile to engage a seat that is positioned below the segmented seat assembly 3200 after the segmented seat assembly 3200 is released. As an example, in accordance with some implementations, the cap 3210 may be attached to the lower seat segments 420.

[0069] Referring to Fig. 15, in accordance with an example implementation, a technique 1500 includes releasing (block 1502) a first seat assembly from being attached to a tubing string and receiving (block 1504) a bottom profile of the first seat assembly in a second seat assembly. Pursuant to the technique 1500, the received first seat assembly may then be used to perform a downhole operation (block 1506).

[0070] Referring to Fig. 16A, in accordance with an example implementation, a setting tool 1600 may be used to transition the seat assembly 50 between its contracted and expanded states. As further disclosed herein, the setting tool 1600 includes components that move relative to each other to expand or contract the seat assembly 50: a rod 1602 and a mandrel 1620, which generally circumscribes the rod 1602. The relative motion between the rod 1602 and the mandrel 1620 causes surfaces of the mandrel 1620 and rod 1602 to contact the upper 410 and lower 420 segments of the seat assembly 50 to radially expand the segments 410 and 420 and longitudinally contract the segments into a single layer to form the seat, as described above.

[0071] As depicted in Fig. 16A, the rod 1602 and mandrel 1620 may be generally concentric with a longitudinal axis 1601 and extend along the longitudinal axis 1601. An upper end 1612 of the rod 1602 may be attached to a conveyance line (a coiled tubing string, for example). A bottom end 1610 of the rod 1602 may be free or attached to a downhole tool or string, depending on the particular implementation.

[0072] Referring to Fig. 16B in conjunction with Fig. 16A, in accordance with example implementations, the rod 1602 contains radially extending vanes 1608 for

purposes of contacting inner surfaces of the seat assembly segments 410 and 420: vanes 1608-1 to contact the upper segments 410; and vanes 1608-2 to contact the lower segments 420. For the specific example implementation that is illustrated in Figs. 16A and 16B, the setting tool 1600 includes six vanes 1608, i.e., three vanes 1608-1 contacting for the upper segments 410 and three vanes 1608-2 for contacting the lower segments 420. Moreover, as shown, the vanes 1608 may be equally distributed around the longitudinal axis 1601 of the setting tool 1600, in accordance with example implementations. Although the examples depicted herein show two layers of three segments, the possibility of many combinations with additional layers or with a different number of segments per layer may be used (combinations of anywhere from 2 to 20 for the layers and segments, as examples) are contemplated and are within the scope of the appended claims.

[0073] Referring to Fig. 16C, relative motion of the rod 1602 relative to the mandrel 1620 longitudinally compresses the segments 410 and 420 along the longitudinal axis 1601, as well as radially expands the segments 410 and 420. This occurs due to the contact between the segments 410 and 420 with the inclined faces of the vanes 1608, such as the illustrated incline faces of the vanes 1608-1 and 1608-2 contacting inner surfaces of the segments 410 and 420, as depicted in Fig. 16C.

[0074] Fig. 17 depicts a cross-sectional view for the seat assembly setting tool 1600 according to a further implementation. In general, for this implementation, the setting tool 1600 includes a bottom compression member 1710 that is disposed at the lower end of the rod 1602. As further disclosed below, the compression member 1710 aids in exerting a radial setting force on the segments 410 and 420 and may be released from the setting tool 1600 and left downhole with the expanded seat assembly (after the remainder of the setting tool 1600 is retrieved from the well) to form a retaining device for the seat assembly, as further discussed below.

[0075] Fig. 18A depicts a partial cross-sectional view of the setting tool 1600, according to an example implementation, for purposes of illustrating forces that the tool 1600 exerts on the lower segment 410. It is noted that Fig. 18a depicts one half of the

cross-section of the setting tool 1600 about the tool's longitudinal axis 1601, as can be appreciated by the skilled artisan.

[0076] Referring to Fig. 18A, an inclined, or sloped, surface 1820 of the vane 1608-1 and a sloped surface 1824 of the mandrel 1620 act on the upper segment 410 as illustrated in Fig. 18A. In particular, the sloped surface 1820 of the vane 1608-1 forms an angle α_1 (with respect to the longitudinal axis 1601), which contacts an opposing sloped surface 1810 of the segment 410. Moreover, the sloped surface 1824 of the mandrel 1620 is inclined at an angle β_1 with respect to the longitudinal axis 1601. The sloped surface 1824 of the mandrel 1620, in turn, contacts an opposing sloped surface 1812 of the upper segment 410. The surfaces 1820 and 1824 have respective surface normals, which, in general, are pointed in opposite directions along the longitudinal axis 1601. Therefore, by relative movement of the rod 1602 in the illustrated uphole direction 1830, the surfaces 1820 and 1824 of the setting tool 1600 produce a net outward radial force 1834 on the segment 410, which tends to radially expand the upper segment 410. Moreover, the relative movement of the rod 1602 and mandrel 1620 produces a force 1832 that causes the segment 410 to longitudinally translate to a position to compress the segments 410 and 420 into a single layer.

[0077] Referring to Fig. 19A, for the lower segment 420, the vane 1608-2 of the rod 1602 has a sloped surface 1920, which contacts a corresponding sloped surface 1910 of the lower segment 420; and the mandrel 1620 has a sloped surface 1914 that contacts a corresponding opposing sloped surface 1912 of the lower segment 420. As depicted in Fig. 19A, the slope surfaces 1914 and 1920 having opposing surface normals, which cause the relative movement between the rod 1602 and mandrel 1620 to produce a net radially outward force 1934 on the lower segment 410. Moreover, movement of the rod 1602 relative to the mandrel 1620 produces a longitudinal force 1932 to longitudinally translate the lower segment 420 into a position to compress the seat assembly 50 into a single layer. As shown in Fig. 19A, the sloped surfaces 1920 and 1914 have associated angles called " β_2 " and " α_2 " with respect to the longitudinal axis 1601.

[0078] In accordance with example implementations, the α_1 and α_2 angles may

be the same; and the β_1 and β_2 angles may be same. However, different angles may be chosen (i.e., the α_1 and α_2 angles may be different, as well as the β_1 and β_2 angles, for example), depending on the particular implementation. Having different slope angles involves adjusting the thicknesses and lengths of the segments of the seat assembly 50, depending on the purpose to be achieved. For example, by adjusting the different slope angles, the seat assembly 50 and corresponding setting tool may be designed so that the segments of the seat assembly are at the same height when the seat assembly 50 is fully expanded or a specific offset. Moreover, the choice of the angles may be used to select whether the segments of the seat assembly finish in an external circular shape or with specific radial offsets.

[0079] The relationship of the α angles (i.e., the α_1 and α_2 angles) relative to the β angles (i.e., the β_1 and β_2 angles) may be varied, depending on the particular implementation. For example, in accordance with some implementations, the α angles may be less than the β angles. As a more specific example, in accordance with some implementations, the β angles may be in a range from one and one half times the α angle to ten times the α angle, but any ratio between the angles may be selected, depending on the particular implementation. In this regard, choices involving different angular relationships may depend on such factors as the axial displacement of the rod 1602, decisions regarding adapting the radial and/or axial displacement of the different layers of the elements of the seat assembly 50; adapting friction forces present in the setting tool and/or seat assembly 50; and so forth.

[0080] Fig. 18B depicts further movement (relative to Fig. 18A) of the rod 1602 with respect to the upper segment 410 mandrel 1620, resulting in full radial expansion of the upper seat segment 410; and Fig. 18B also depicts stop shoulders 1621 and 1660 that may be used on the mandrel 1620 and rod 1602, in accordance with some example implementations. In this manner, for the state of the setting that is depicted in Fig. 18A, relative travel between the rod 1602 and the mandrel 1620 is halted, or stopped, due to the upper end of the upper seat segment 410 contacting a stop shoulder 1621 of the mandrel 1620 and a lower stop shoulder 1660 of the vane 1608-2 contacting the lower end of segment 410. Likewise, Fig. 19B illustrates full radial expansion of the lower seat

segment 420, which occurs when relative travel between the rod 1602 and the mandrel 1620 is halted due to the segment 420 resting between a stop shoulder 1625 of the mandrel 1620 and a stop shoulder 1662 of the vane 1608-2.

[0081] For the setting tool 1600 that is depicted in Figs. 18A-19B, the tool 1600 includes a bottom compression member that is attached to the lower end of the mandrel 1620 and has corresponding member parts 1850 (contacting the segments 410) and 1950 (contacting the segments 420). In example with example implementations, compression members 1850 and 1950 may be the same part but are depicted in the figures at two different cross-sections for clarity. Thus, as shown in Figs. 18A and 18B, the vane 1608-1 contains a compression member part 1850; and the vane 1608-2 depicted in Figs. 19A and 19B depicts a compression member part 1950. In accordance with further implementations disclosed herein, the mandrel of a setting tool may not include such an extension. Moreover, although specific implementations are disclosed herein in which the rod of the setting tool moves with respect to the mandrel, in further implementations, the mandrel may move with respect to the rod. Thus, many variations are contemplated, which are within the scope of the appended claims.

[0082] In accordance with further implementations, the bottom compression member of the rod 1602 may be attached to the remaining portion of the rod using one or more shear devices. In this manner, Fig. 18C depicts the compression member part 1850 being attached to the rest of the vane 1608-1 using a shear device 1670, such as a shear screw, for example. Likewise, Fig. 19C depicts the compression member part 1950 being attached to the remainder of the vane 1608-2 using a corresponding shear device 1690. The use of the compression member, along with the shear device(s) allows the setting tool to leave the compression member downhole to, in conjunction with the seat assembly 50, form a permanently-set seat in the well.

[0083] More specifically, the force that is available from the setting tool 1600 actuating the rod longitudinally and the force-dependent linkage that is provided by the shear device, provide a precise level of force transmitted to the compression member. This force, in turn, is transmitted to the segments of the seat assembly 50 before the

compression member separates from the rod 1602. The compression member therefore becomes part of the seat assembly 50 and is released at the end of the setting process to expand the seat assembly 40. Depending on the particular implementation, the compression piece may be attached to the segments or may be a separate piece secured by one or more shear devices.

[0084] Thus, as illustrated in Figs. 18C and 19B, through the use of the compression pieces, additional force, i.e., additional longitudinal forces 1674 (Fig. 18C) and 1680 (Fig. 19C); or additional radial forces 1676 (Fig. 18C) or 1684 (Fig. 19C); or a combination of both, may be applied to the seat assembly 50 to aid in expanding the seat assembly.

[0085] The above-described forces may be transmitted to a self-locking feature and/or to an anti-return feature. These features may be located, for example, on the side faces of the seat assembly's segments and/or between a portion of the segments and the compression piece.

[0086] In accordance with some implementations, self-locking features may be formed from tongue and groove connections, which use longitudinally shallow angles (angles between approximately three and ten degrees, for example) to obtain a self-locking imbrication between the parts due to contact friction.

[0087] Anti-return features may be imparted, in accordance with example implementations, using, for example, a ratchet system, which may be added on the external faces of a tongue and groove configuration between the opposing pieces. The ratchet system may, in accordance with example implementations, contain spring blades in front of anchoring teeth. The anti-return features may also be incorporated between the segment (such as segment 410) and the compression member, such as compression member 1850. Thus, many variations are contemplated, which are within the scope of the appended claims.

[0088] Figs. 18D, 19D, 18E, 19E, 18F and 19F depict using of the bottom compression member along with the shear devices, in accordance with an example implementation.

[0089] More specifically, Figs. 18D and 19D depict separation of the compression member parts 1850 (Fig. 18D) and 1950 (Fig. 18E) from the rod 1602, thereby releasing the compression member from the rest of the setting tool, as illustrated in Figs. 18E and 19E. As depicted in Figs. 18F and 19F, after removal of the remainder of the setting tool 1600, the segments 410 (Fig. 18F) and 420 (Fig. 19F) and corresponding compression member parts 1850 and 1950 remain in the well. Thus, as illustrated in Fig. 18F, the compression piece 1850 stands alone with the upper segment 410; and the compression piece 1950 (see Fig. 19F) stands alone with the lower segment 420.

[0090] In accordance with some implementations, as discussed above, the segments 410 and/or 420 of the seat assembly may contain anchors, or slips, for purposes of engaging, for example, a tubing string wall to anchor, or secure the seat assembly to the string.

[0091] In accordance with some implementations, the setting tool may contain a lower compression member on the rod, which serves to further expand radially the formed ring and further allow the ring to be transitioned from its expanded state back to its contracted state. Such an arrangement allows the seat assembly to be set at a particular location in the well, anchored to the location and expanded, a downhole operation to be performed at that location, and then permit the seat assembly to be retracted and moved to another location to repeat the process.

[0092] Figs. 20A, 20B, 20C and 20D depict the actions of setting tool 2000 against the upper seat segment 410; and Figs. 21A, 21B, 21C and 21D depict the actions of the setting tool 2000 against the lower seat segment 420. As shown, the setting tool 2000 does not have a lower compression member, thereby allowing the rod 1602 to be moved in a longitudinal direction (as illustrated by directions 210 of Fig. 20B and 2014 of Fig. 21B) to radially expand the segments 410 and 420 and leave the segments 410 and 420 in the well, as illustrated in Figs. 20D and 21D.

[0093] Fig. 22A depicts a seat assembly setting tool 2200 according to further implementations. For these implementations, a mandrel 2201 of the tool 2200 includes

the above-described inclined faces to contact seat assembly segments. The mandrel 2201 also contains an end sloped segment on its outer diameter to ease the radial expansion of the segments while having a small axial movement for purposes of reducing friction and providing easier sliding movement. In this manner, as depicted in Fig. 22A, the mandrel 2201 contains a portion 2250 that has an associated sloped surface 2252 that engages a corresponding sloped surface 2213 of the upper seat segment 410. The sloped surface 2252 forms an associated angle (called " ζ_1 ") with respect to the radial direction from the longitudinal axis 1601. Likewise, the portion 2250 may have a sloped surface 2253 (see Fig. 22F) that engages a corresponding sloped surface 2215 of the lower seat segment 420 and forms an angle (called " ζ_2 ") with respect to the radial direction. The angles ζ_1 and ζ_2 may be, equal to or steeper than the steepest of the α angles (the α_1 and α_2 angles) and the β angles (the β_1 and β_2 angles), in accordance with some implementations.

[0094] On the other side of the seat segments, an additional sloped surface may be added, in accordance with example implementations, in a different radial orientation than the existing sloped surface with the angle α_1 for the upper segment 410 and β_1 for the lower segment 420. Referring to Fig. 22A, the tool 2200 includes a lower compression piece 2204 that includes a sloped surface 2220 having an angle ϵ_1 with respect to the longitudinal axis 1601. The angle ϵ_1 may be relatively shallow (a three to ten degree angle, for example, with respect to the longitudinal axis 1601) to obtain a self-locking contact between the upper seat segment 410 and the compression piece 2204. As depicted in the cross-section depicted in Fig. 22G, the upper seat segment 410 has sloped surfaces 2220 with the ϵ_1 angle and a sloped surface 2280 with the α_1 angle. Referring to Fig. 22F, in a similar manner, the lower seat segment 420 may have surfaces that are inclined at angles α_2 and ϵ_2 . The ϵ_2 angle may be relatively shallow, similar to the ϵ_1 angle for purposes of obtaining a self-locking contact between the lower seat segment 420 and the compression piece.

[0095] Depending on the different slopes and angle configurations, some of the sloped surfaces may be combined into one surface. Thus, although the examples disclosed herein depict the surfaces as being separated, a combined surface due to an angular choice may be advantageous, in accordance with some implementations.

[0096] For the following example, the lower seat segment 420 is attached to, or integral with teeth, or slips 2292 (see Fig. 22H, for example), which engage the inner surface of the tubing string 20. The upper seat segment 410 may be attached to/integral with such slips, in accordance with further implementations and/or the seat segments 410 and 420 may be connected to slips; and so forth. Thus, many implementations are contemplated, which are with the scope of the appended claims.

[0097] Due to the features of the rod and mandrel, the setting tool 2200 may operate as follows. As shown in Fig. 22B, upon movement of the rod 1602 along a direction 2280, the upper seat segment 410 radially expands due to a resultant force along a radial direction 2260. At this point, the rod 1602 and compression piece 2204 remain attached. Referring to Fig. 22H, the lower seat segment 420 radially expands as well, which causes the slips 2292 to engage the tubing string wall. Upon further movement of the rod 1602 in the direction 2280, the compression piece 2204 separates from the remaining portion of the rod 1602, as illustrated in Fig. 22C. In a similar manner, referring to Fig. 22I, this separation also occurs in connection with the components engaging the lower seat segment 420.

[0098] At this point, the segments are anchored, or otherwise attached, to the tubing string wall, so that, as depicted in Figs. 22D and 22J, the remaining rod and mandrel may be further retracted uphole, thereby leaving the compression piece and segment down in the well, as further illustrated in Figs. 22E and 22K.

[0099] Other implementations are contemplated, which are within the scope of the appended claims. For example, in accordance with some implementations, the segmented seat assembly may be deployed inside an expandable tube so that radial expansion of the segmented seat assembly deforms the tube to secure the seat assembly in place. In further implementations, the segmented seat assembly may be deployed in an open hole and thus, may form an anchored connection to an uncased wellbore wall. For implementations in which the segmented seat assembly has the slip elements, such as slip elements 2292 (see Fig. 22K, for example), the slip elements may be secured to the lower seat segments, such as lower seat segments 420, so that the upper seat segments 410 may

rest on the lower seat segments 420 after the untethered object has landed in the seat of the seat assembly.

[00100] In example implementations in which the compression piece(s) are not separated from the rod to form a permanently-set seat assembly, the rod may be moved back downhole to exert radial retraction and longitudinal expansion forces to return the seat assembly back into its contracted state.

[00101] Thus, in general, a technique 2300 that is depicted in Fig. 23 may be performed in a well using a setting tool and a segmented seat assembly. Pursuant to the technique 2300, a tool and seat assembly is positioned in a recess of a tubing string (as an example) and movement of the tool is initiated, pursuant to block 2304. If the setting tool contains an optional compression piece (decision block 2306) and if multiple expansion and retraction is to be performed for purposes of performing multiple downhole operations (decision block 2310), then the technique 2300 includes transitioning the seat assembly to an expanded state, releasing the assembly from the tool, performing a downhole operation and then reengaging the seat assembly with the setting tool to transition the seat assembly back to the contracted state. If more downhole locations are to be performed (decision block 2314), then control transitions back to box 2304.

[00102] Otherwise, pursuant to the technique 2300, if the setting tool does not contain the compression piece (decision block 2306), then the technique 2300 includes transitioning the seat assembly to the expanded state and releasing the assembly from the tool, pursuant to block 2308. If the setting tool contains the compression piece but multiple expansions and retractions of the seat assembly is not to be used (decision block 2310), then use of the tool depends on whether anchoring (decision block 2320) is to be employed. In other words, if the seat assembly is to be permanently anchored, then the flow diagram 2300 includes transitioning the seat assembly to the expanded state to anchor the setting tool to the tubing string wall and releasing the assembly from the tool, thereby leaving the compression piece downhole with the seat assembly to form a permanent seat in the well. Otherwise, if anchoring is not to be employed, the technique

2300 includes transitioning the seat assembly to the expanded state and releasing the seat assembly from the tool, pursuant to block 2326, without separating the compression piece from the rod of the setting tool, pursuant to block 2326.

[00103] Many variations are contemplated, which are within the scope of the appended claims. For example, to generalize, implementations have been disclosed herein in which the segmented seat assembly has segments that are arranged in two axial layers in the contracted state of the assembly. The seat assembly may, however, have more than two layers for its segments in its contracted, in accordance with further implementations. Thus, in general, Fig. 24A and 24B depict surfaces 2410 and 2414 (Fig. 24A) for an upper segment of a two layer seat assembly and corresponding surfaces 2420 and 2424 (Fig. 24B) for the lower segment of the two layer assembly. Figs. 25A, 25B and 25C depict surfaces 2510 and 2514 (Fig. 25A), 2520 and 2524 (Fig. 25B), and 2530 and 2534 (Fig. 25C) for upper, intermediate and lower segments of a three layer seat assembly. Figs. 26A (showing layers 2610 and 2614), 26B (showing layers 2620 and 2624), 26C (showing layers 2630 and 2634) and 26D (showing layers 2640 and 2644) depict surfaces of the rod and mandrel for upper-to-lower segments of a four layer segmented seat assembly. Thus, many variations are contemplated, which are within the scope of the appended claims.

[00104] Referring to Fig. 27A, in accordance with an example implementation, a segmented seat assembly may be deployed in a tubing string 2700 using restrictions that are integral with the tubing string 2700. In this manner, the tubing string 2700 that is depicted in Fig. 27A contains two restrictions in its passageway formed by corresponding upper 2702 and lower 2704 upsets. The upsets 2702 and/or 2704 may be casing collars, as an example, although upsets other casing collars may be used, in accordance with further implementations. As disclosed herein, restrictions in the tubing string passageway are used for purposes of releasing the seat assembly at a relatively arbitrary location between upsets in the string and then subsequently pumping the released seat assembly to one of the upsets.

[00105] As a more specific example, Fig. 27B depicts an example

segmented seat assembly 2750 that is run into the passageway of the tubing string 2700 using a setting tool 2720. Although not depicted in Fig. 27B or the subsequent figures, the setting tool 2720 is deployed into the tubing string 2700 using a conveyance line, such as a slickline, a coiled tubing, and so forth, as can be appreciated by the skilled artisan. The inner diameters of upsets in the tubing string 2700, such as the upset 2702, are sized appropriately to allow the setting tool 2720 and the segmented seat assembly 2750 (in its contracted state) to pass through the upset.

[00106] Referring to Fig. 27C, for the following example, it is assumed that the seat assembly 2750 is to be ultimately positioned at the lower upset 2704. Therefore, for this example, the setting tool 2720 is positioned between the upsets 2702 and 2704. The setting tool 2720 is then actuated (as disclosed above, for example) for purposes of releasing the seat assembly 2750. It is noted that this release may either rely on a frictional engagement between the outer surface of the seat assembly 2750 and the inner surface of the tubing string 2700 or may rely on uphole travel of the setting tool 2720 near the upper upset 2702 and engagement of the outer surface of the seat assembly 2750 with the upper upset 2702. Regardless of the particular technique that is used, the seat assembly 2750 is at least partially expanded (transitioned to its fully expanded state, as an example), resulting in the seat assembly 2750 being disposed at a location 2730 of the tubing string 2700, as depicted in Fig. 27D. Thus, as shown in Fig. 27D, for this state of the seat installation process, the setting tool 2720 has been removed, leaving the seat assembly 2750 at the location 2730.

[00107] Referring to Fig. 27E, subsequently, in accordance with an example implementation, an untethered object, such as an activation ball 2740, may be deployed in the passageway of the tubing string 2700 and land in the seat of the seat assembly 2750. As shown in Fig. 27E, the inner diameter of the upset 2702 is sufficiently large enough to allow the activation ball 2740 to pass through and land in the seat of the seat assembly 2750.

[00108] Referring to Fig. 27F, subsequently, the resulting fluid obstruction, or fluid barrier, that is formed from the received object 2740 in the seat assembly 2750

may be used to exert fluid pressure on the seat assembly to pump the seat assembly 2700 further downhole to land the outer surface of the seat assembly 2750 in the lower upset 2704, as depicted in Fig. 27F.

[00109] Figs. 28A, 28B, 28C, 28D, 28E and 28F depict a sequence for deploying and using a segmented seat assembly according to a further implementation. Referring to Fig. 28A, a setting tool 2820, which is secured to a segmented seat assembly 2810 may be deployed inside a tubing string 2800, which, for this example, contains an example upset 2804. Moreover, as an example, a downhole tool, such as perforating gun (not shown), may be attached to the setting tool 2820.

[00110] Referring to Fig. 28B, the setting tool 2820 is actuated to expand the seat assembly 2810, so that the attached tool and seat assembly 2810 may be pumped down to the upset 2804, as depicted in Fig. 28C.

[00111] In accordance with further implementations, an additional go-no-go ring, such as a snap ring, may be used for purposes of positively constraining the seat 2810 to remain between the ring and the upset 2804, while allowing the seat assembly 2810 to pass through with a little overpush (an overpush created by fluid pumping or pushing from a tool string, as examples). In this manner, referring also to Fig. 28G, in accordance with an example implementation, a snap ring 2852 may be installed with the tubing string 2800, such as inside an annular groove 2850, which is cut inside the inner diameter of the string 2800. As an example, in accordance with some implementations, the snap ring 2852 may be constructed out of a deformable metal, such as spring steel or any metal that has an elastic deformation ability. In accordance with some implementations, the snap ring 2852 may contain a number of taps (2 to 10, as an example) with an inclined, or sloped, angle, which allows a go passage from one direction and a no-go passage from the opposite direction.

[00112] Referring to Fig. 28D, the conveyance line may be pulled uphole, thereby releasing the setting tool 2820 from the seat assembly 2810, leaving the seat assembly 2810 at the upset 2804.

[00113] Referring to Fig. 28E, subsequently, an untethered object, such as

an activation ball 2850, may be deployed inside the tubing string 2800 and land in the seat of the seat assembly 2810. The barrier created by the activation ball 2850 being seated in the seat assembly 2810 may then be used to perform a downhole operation, such as a fracturing operation, for example, which uses the fluid obstruction to divert fluid, pressurize the tubing string 2800, and so forth.

[00114] In accordance with some implementations, the activation ball 2850 may contain a material or materials, which allow at least part of the activation ball 2850 to be dissolved by well fluid or other fluid introduced into the tubing string passageway. Likewise, in some implementations, the seat assembly 2810 may contain one or more components and/or materials to allow at least part of the seat assembly 2810 to be dissolved by a fluid present in the tubing string 2800. As an example, dissolvable, or degradable, materials may be used similar to the materials disclosed in the following patents, which have an assignee in common with the present application and are hereby incorporated by reference: U.S. Patent No. 7,775,279, entitled, "DEBRIS-FREE PERFORATING APPARATUS AND TECHNIQUE," which issued on August 17, 2010; and U.S. Patent No. 8,211,247, entitled, "DEGRADABLE COMPOSITIONS, APPARATUS COMPOSITIONS COMPRISING SAME, AND METHOD OF USE," which issued on July 3, 2012.

[00115] Regardless of the particular implementation, the dissolving/partial dissolving of the activation ball and/or seat assembly allows flowback to be employed to remove any remaining parts of the fluid obstruction from the tubing string 2800, as depicted in Fig. 28F.

[00116] Thus, in general, a technique 2900 that is depicted in Fig. 29 may be employed, in accordance with example implementations. According to the technique 2900, a seat assembly is run (block 2902) into a previously installed tubing string, and the seat assembly is released (block 2904) at a first downhole location. The seat assembly may then be pumped (block 2906) to a restriction in the tubing string at a second downhole location. An untethered object may be received in the seat assembly to form an obstruction in the tubing string, pursuant to block 2908.

[00117] The order in which the untethered object is received in the seat assembly and the pumping of the seat assembly to the restriction, may be interchanged, as illustrated in the figures above. More specifically, in accordance with a first example, a technique 3000 that is depicted in Fig. 30 may be employed. Referring to Fig. 30, the technique 3000 includes running (block 3002) a seat assembly into a previously installed tubing string and releasing (block 3004) the seat assembly at a first downhole location. The technique 3000 including deploying (block 3006) an untethered object in the tubing string and communicating the object downhole to land the object in the seat assembly. Subsequently, the seat assembly and received object may be pumped (block 3008) to the restriction in the tubing string at a second downhole location. The reception of the untethered object in the seat assembly may then be used to form a downhole fluid obstruction, pursuant to block 3010.

[00118] As another variation, Fig. 31 depicts a technique 3100 that includes running (block 3102) a seat assembly into a previously installed tubing string and releasing (block 3104) the seat assembly at a first downhole location. The technique 3100 includes pumping (block 3106) the seat assembly to a restriction in the tubing string at a second downhole location. Subsequently, an untethered object may be deployed in the tubing string and communicated downhole to land the object in the seat assembly, pursuant to block 3108. The reception of the untethered object in the seat assembly may then be used to form a downhole obstruction in the tubing string, pursuant to block 3110.

[00119] While a limited number of examples have been disclosed herein, those skilled in the art, having the benefit of this disclosure, will appreciate numerous modifications and variations therefrom. It is intended that the appended claims cover such modifications and variations.

WHAT IS CLAIMED IS:

1. A method comprising:
deploying a seat assembly into a tubing string within well;
releasing the seat assembly inside the tubing string;
pumping the seat assembly to a restriction in the tubing string at downhole location; and
receiving an untethered object on the seat assembly to form an obstruction in the tubing string.
2. The method of claim 1, further comprising:
deploying the untethered object in the tubing string, wherein pumping the seat assembly comprises pumping the seat assembly with the landed untethered object.
3. The method of claim 1, further comprising:
deploying an untethered object in the tubing string; and
landing the untethered object in the tubing string,
wherein the deploying and landing are performed after the pumping of the seat assembly.
4. The method of claim 1, wherein deploying the seat assembly comprises running the seat assembly on a conveyance line.
5. The method of claim 1, wherein deploying the seat assembly comprises running the seat assembly with a downhole tool.
6. The method of claim 1, wherein releasing the seat assembly comprises the seat assembly frictionally engaging a wall of the tubing string.
7. The method of claim 1, wherein releasing the seat assembly comprises using another restriction in the tubing string that contacts the seat assembly.
8. The method of claim 1, wherein releasing the seat assembly comprises using a go-

no-go ring installed uphole of the restriction in the tubing string.

9. The method of claim 1, further comprising dissolving at least one of the untethered object and the seat assembly.

10. The method of claim 9, further comprising flowing the untethered object or the seat assembly in a flowback operation to complete removal of the untethered object or seat assembly.

11. The method of claim 1, further comprising using the obstruction to perform a downhole operation.

12. An apparatus comprising:
a tubing string installable in a well, the tubing string having a passageway and a restriction in the passageway;
a seat assembly having a contracted state and an expanded state, the contracted state having a smaller diameter than the expanded state; and
a setting tool adapted to deploy the seat assembly in the passageway and release the seat assembly at a downhole location, wherein the seat assembly is adapted to be pumped from the downhole location to the restriction.

13. The apparatus of claim 12, wherein the seat assembly is adapted to transition to the expanded state and receive an untethered object in the expanded state.

14. The apparatus of claim 12, wherein the seat assembly is adapted to be pumped to the restriction and receive an untethered object.

15. The apparatus of claim 12, wherein the setting tool is adapted to be deployed in the passageway and retrieved therefrom on a conveyance line.

16. The apparatus of claim 12, wherein the setting tool is adapted to release the seat assembly using frictional contact between the seat assembly and a wall of the tubing string due to transition of the seat assembly to an expanded state, and upward motion of the setting tool exerted by a conveyance line attached to the setting tool.

17. The apparatus of claim 12, wherein the setting tool is adapted to release the seat assembly in response to upward movement of the setting tool and engagement of the seat assembly against another restriction in the passageway of the tubing string.

18. The apparatus of claim 12, wherein at least part of the seat assembly or at least part of the untethered object comprises a dissolvable material.

19. The apparatus of claim 12, wherein the tubing string comprises a go-no-go ring disposed uphole of the restriction in the tubing string.

20. A method comprising:
deploying a seat assembly downhole in a tubing string on a conveyance mechanism;
releasing the seat assembly from the conveyance mechanism inside the tubing string at a downhole location uphole of a feature of the tubing string using a tool attached to the conveyance mechanism;
communicating fluid into the tubing string to move the seat assembly inside the tubing string until the seat assembly engages the feature of the tubing string;
deploying an untethered object in the tubing string to land in the seat assembly and form a fluid barrier in the tubing string; and
using the fluid barrier to perform a downhole operation.

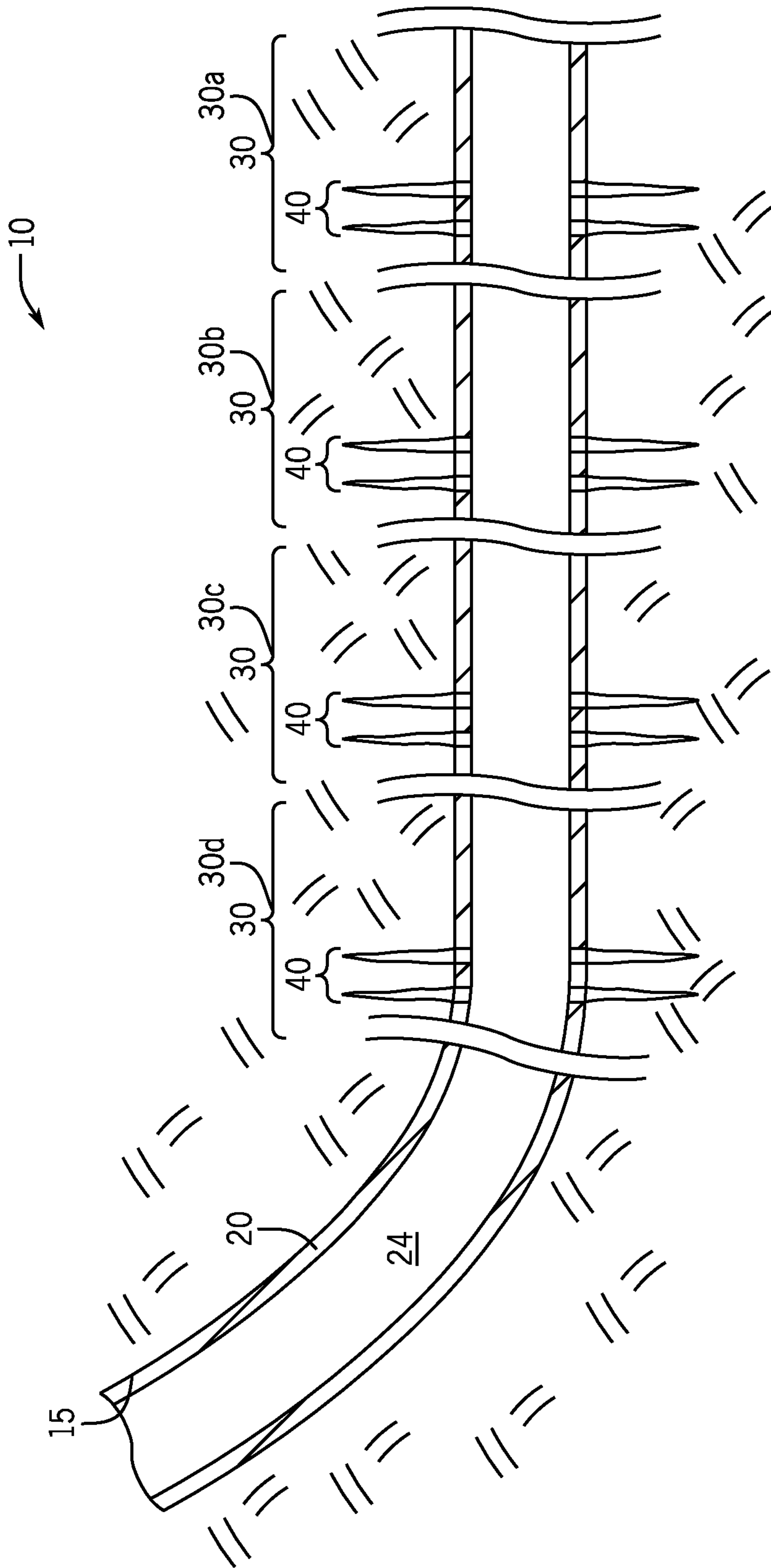
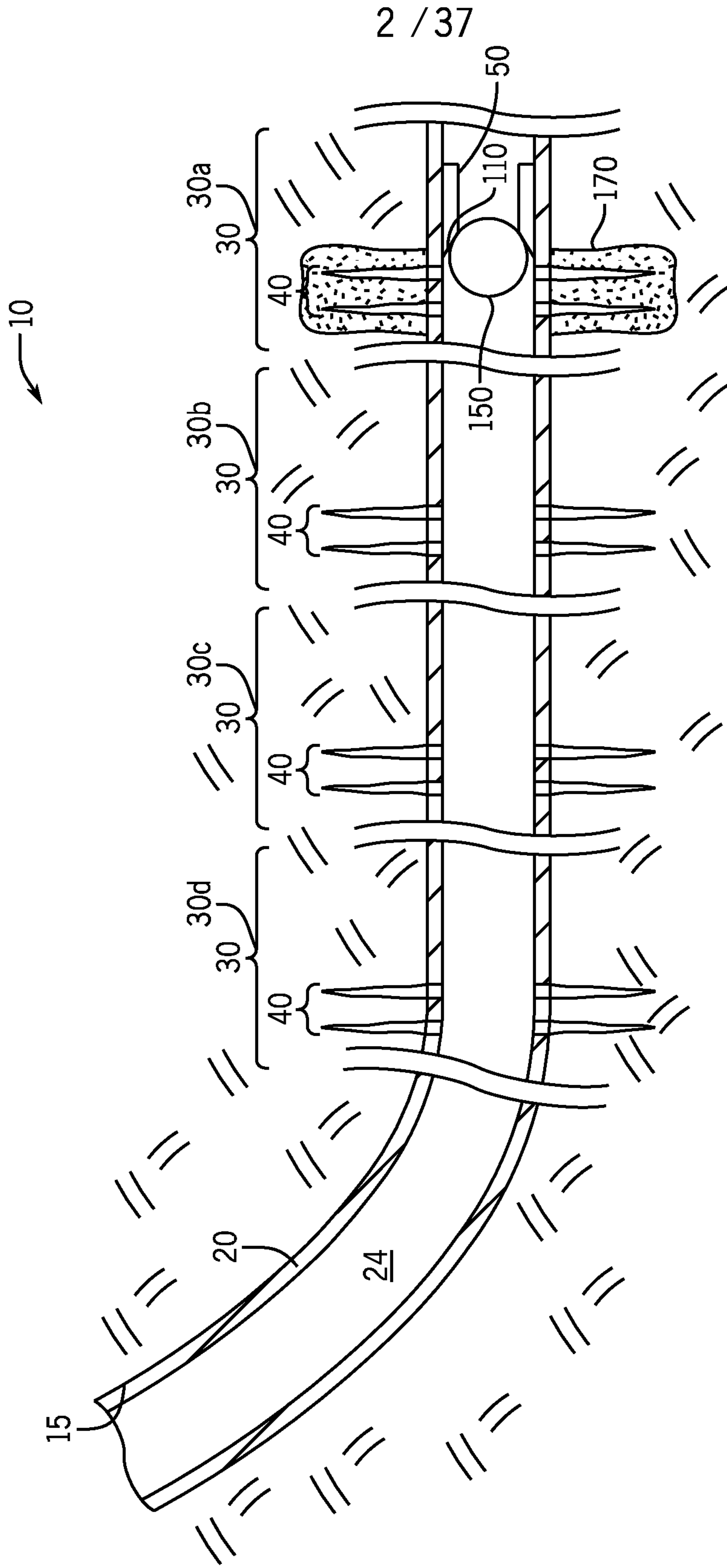


FIG. 1



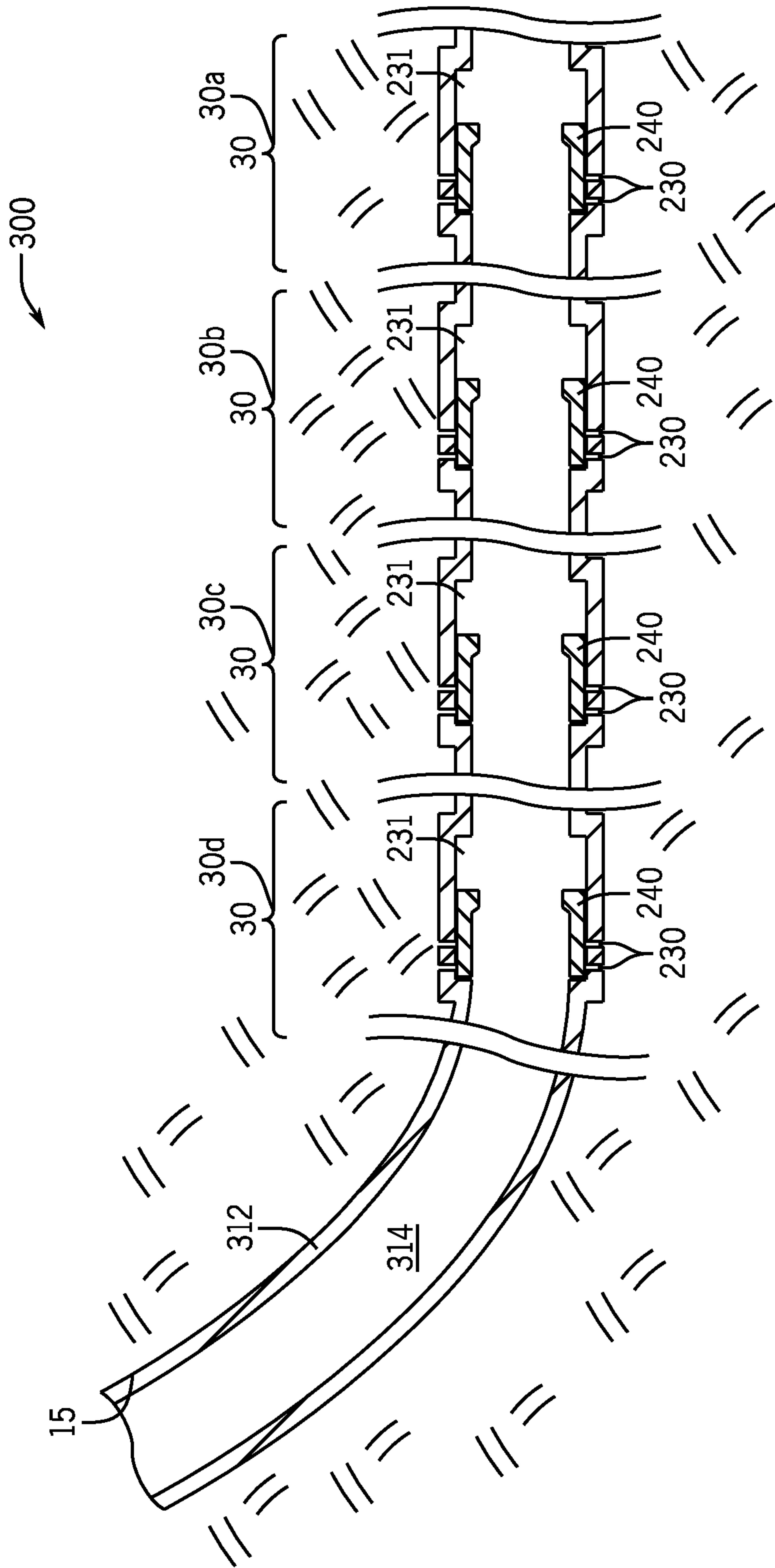


FIG. 3A

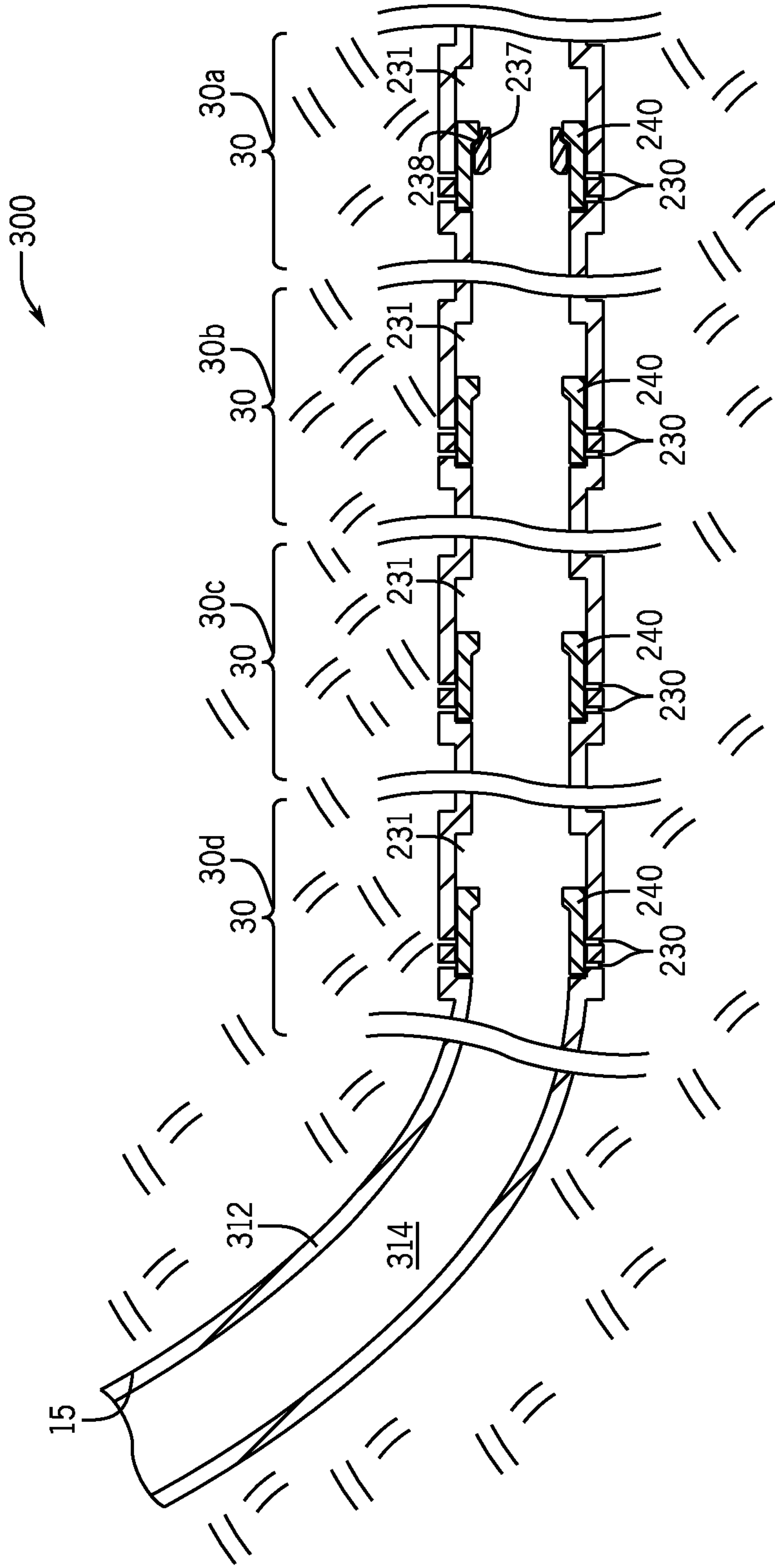


FIG. 3B

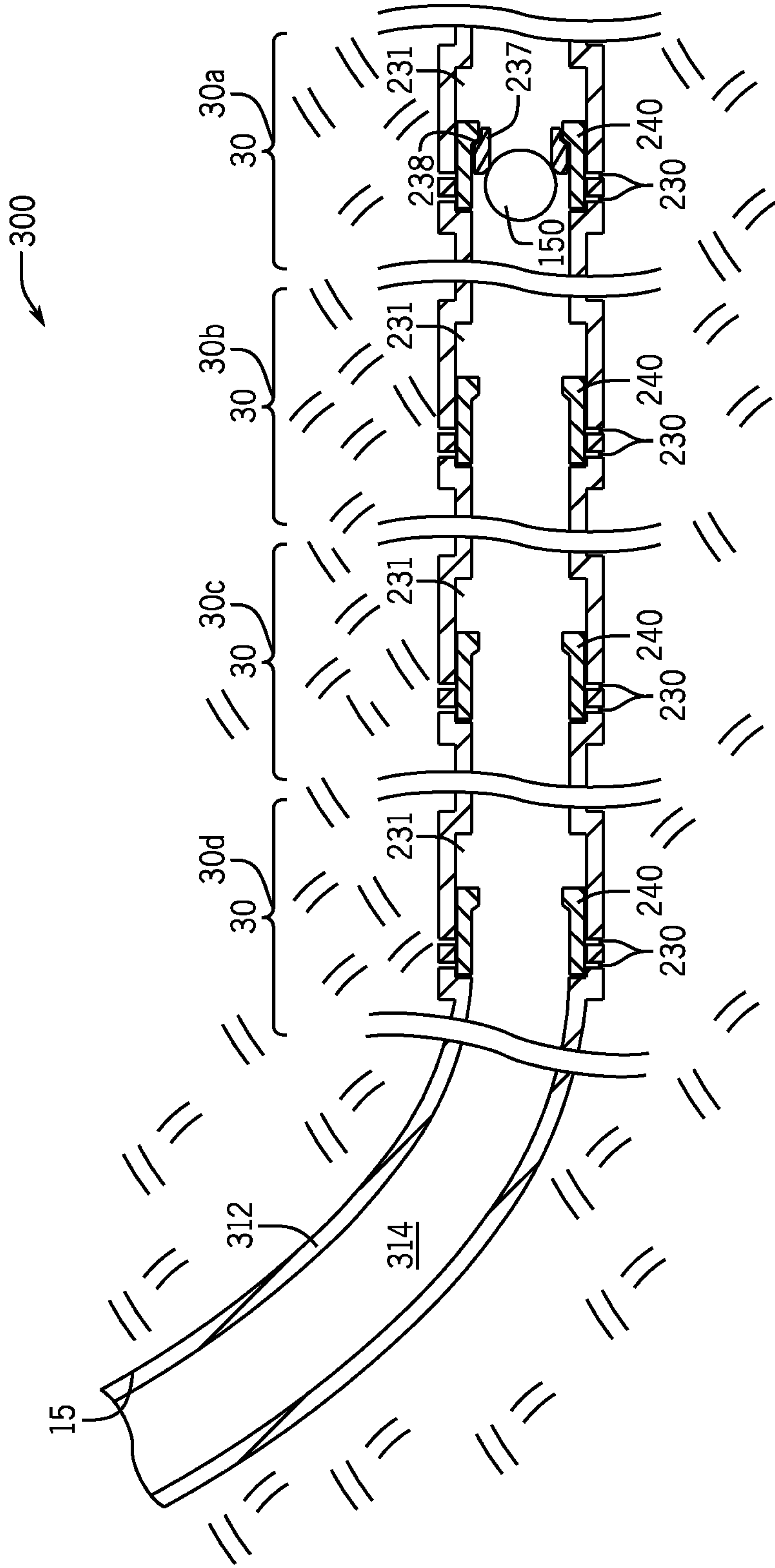


FIG. 3C

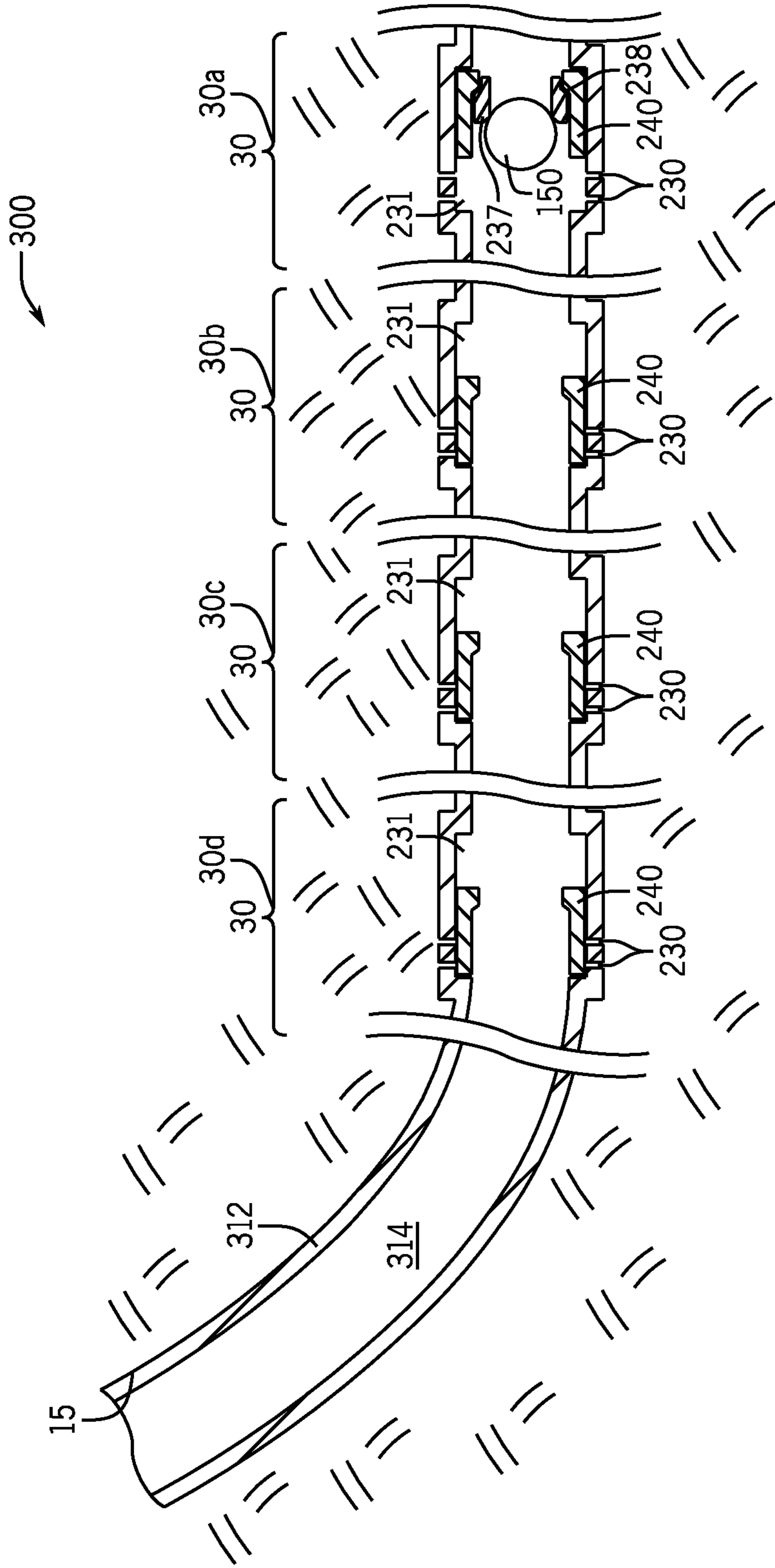


FIG. 3D

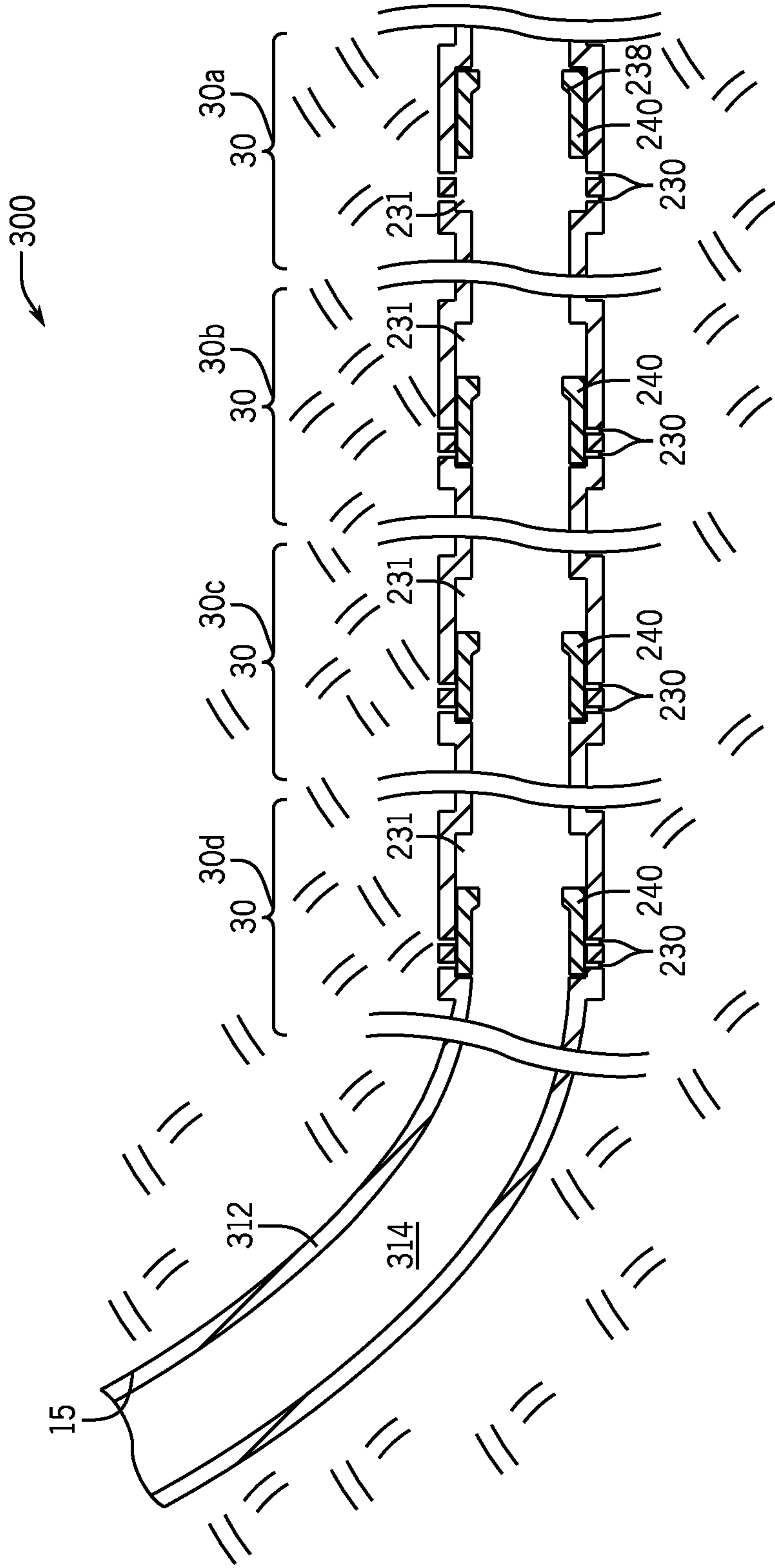


FIG. 3E

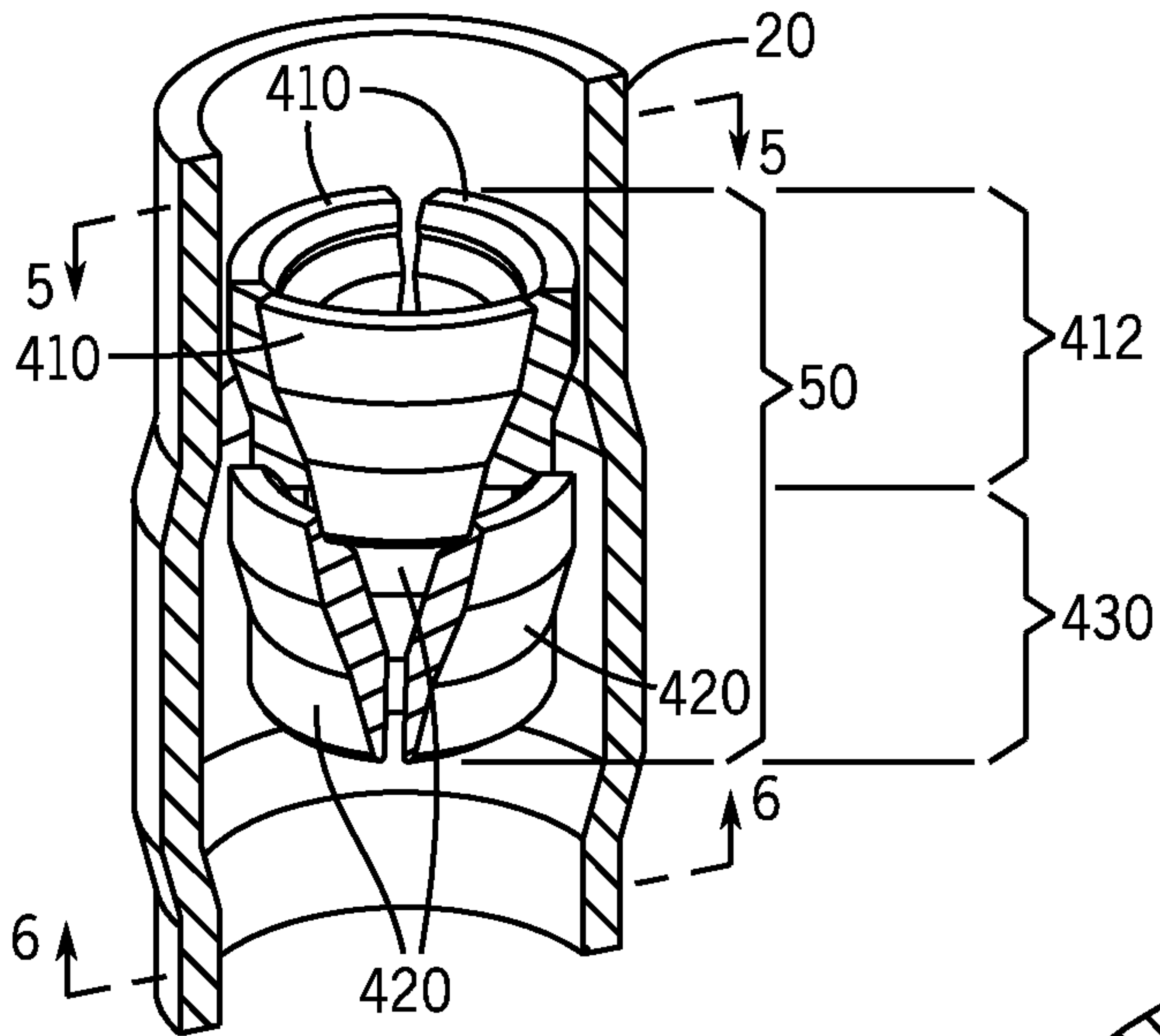


FIG. 4

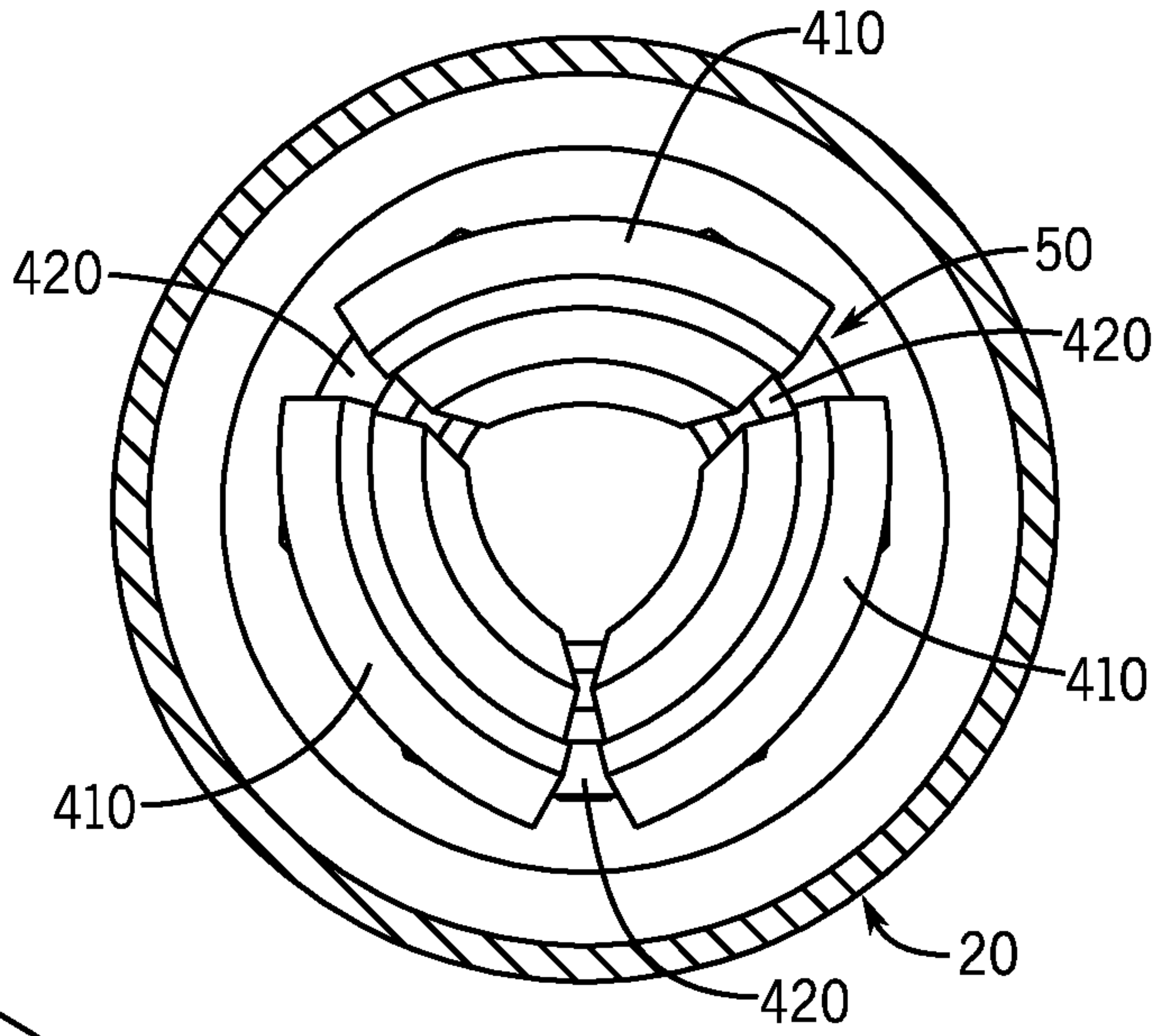


FIG. 5

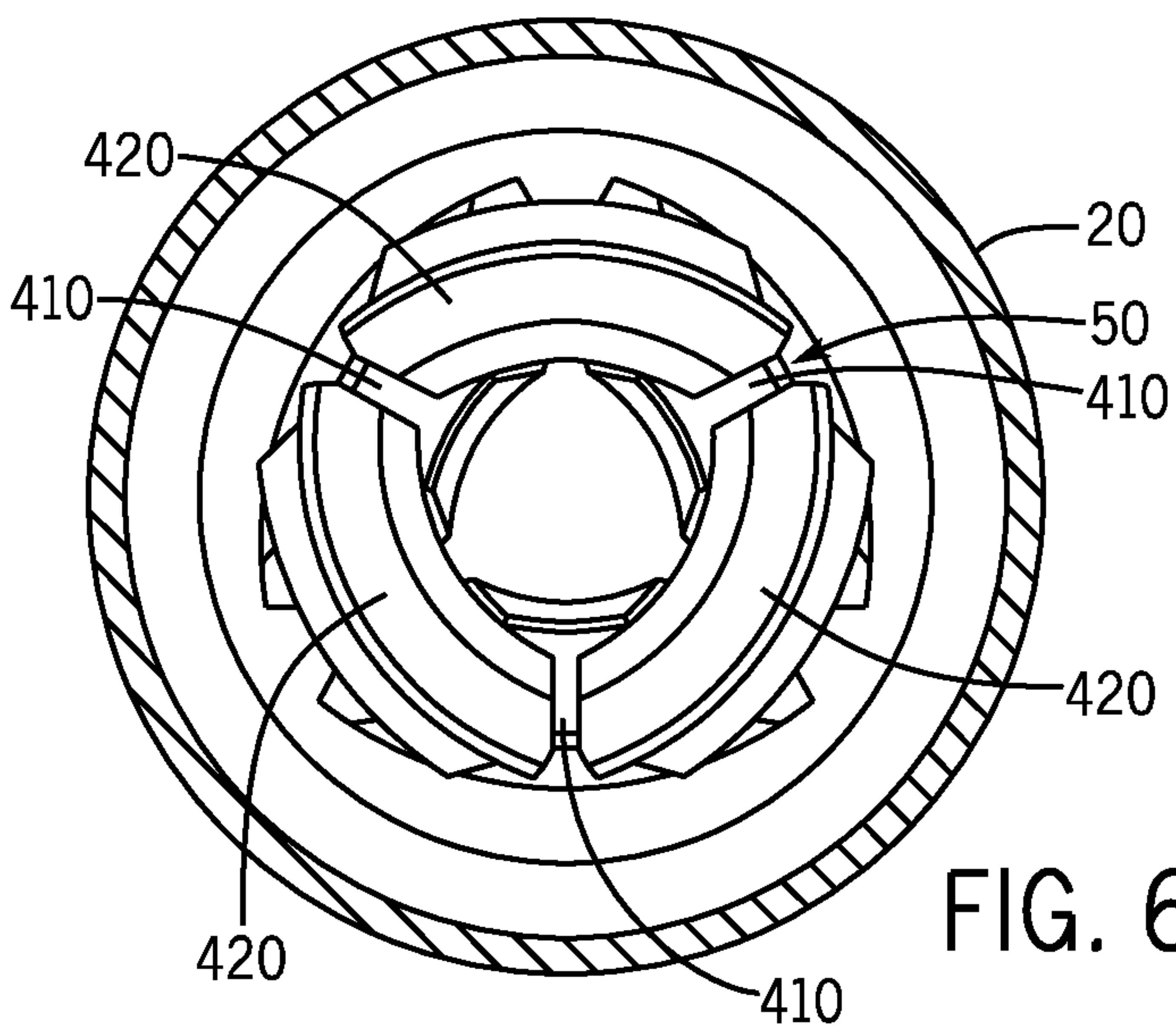


FIG. 6

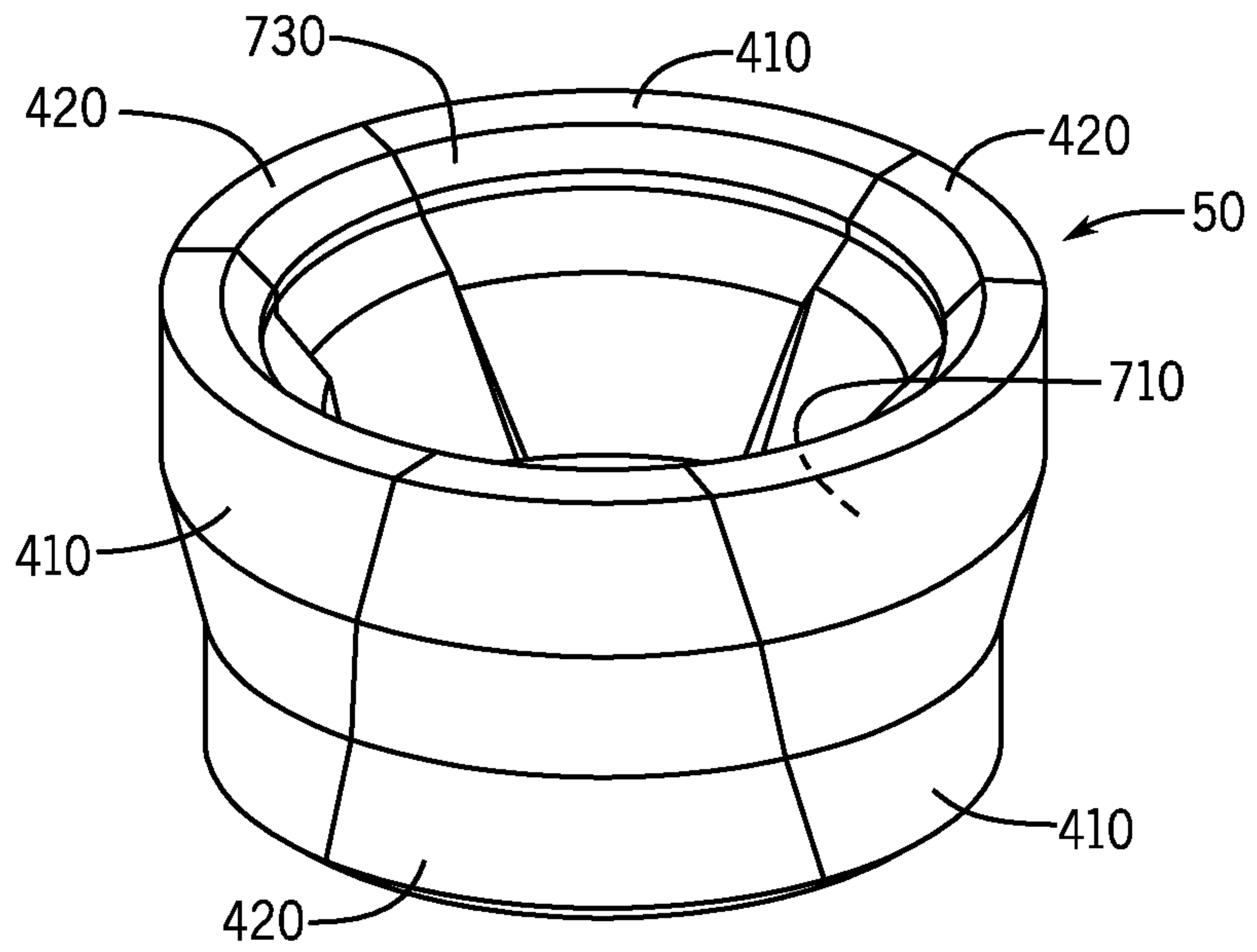


FIG. 7

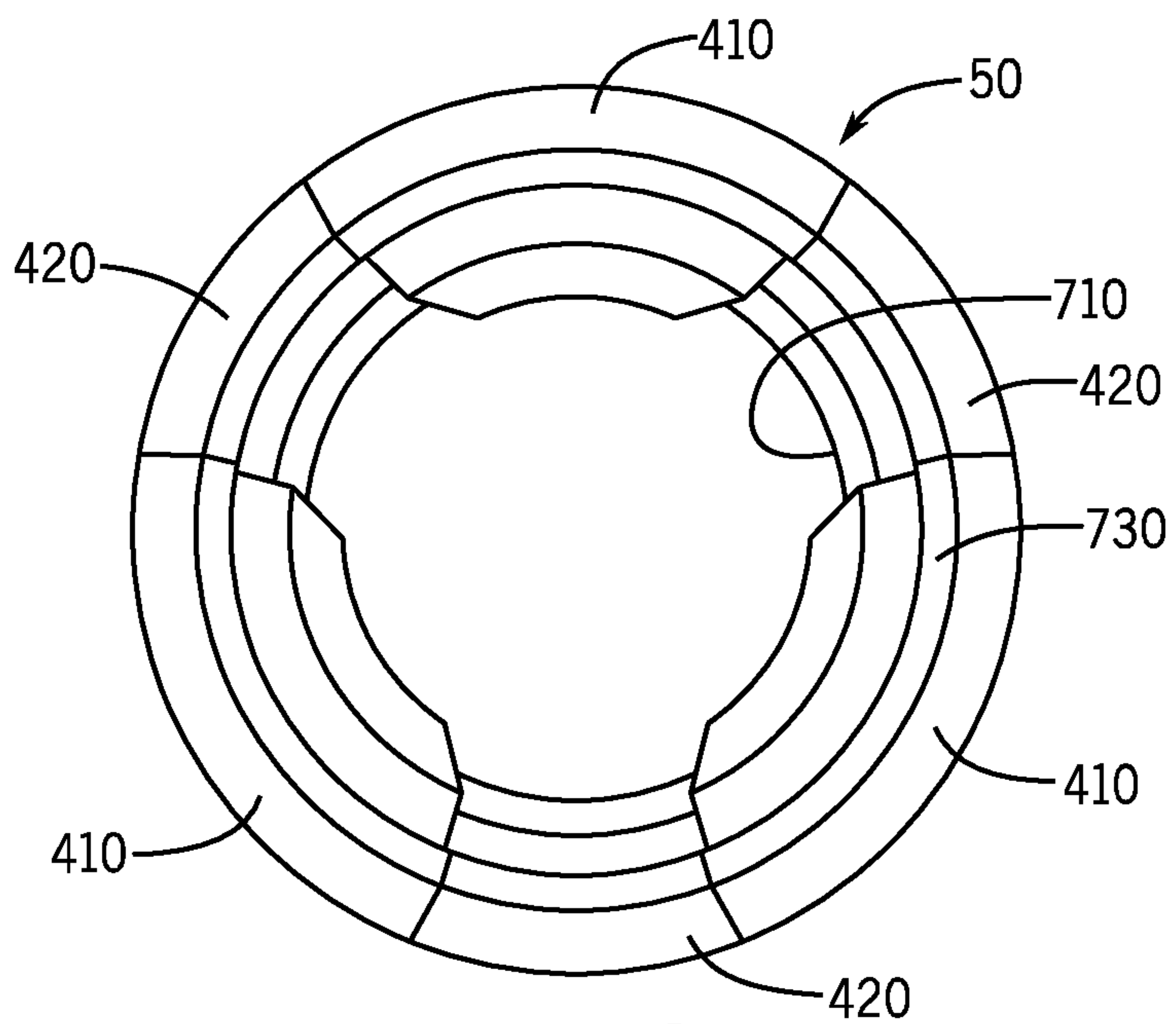


FIG. 8

10 / 37

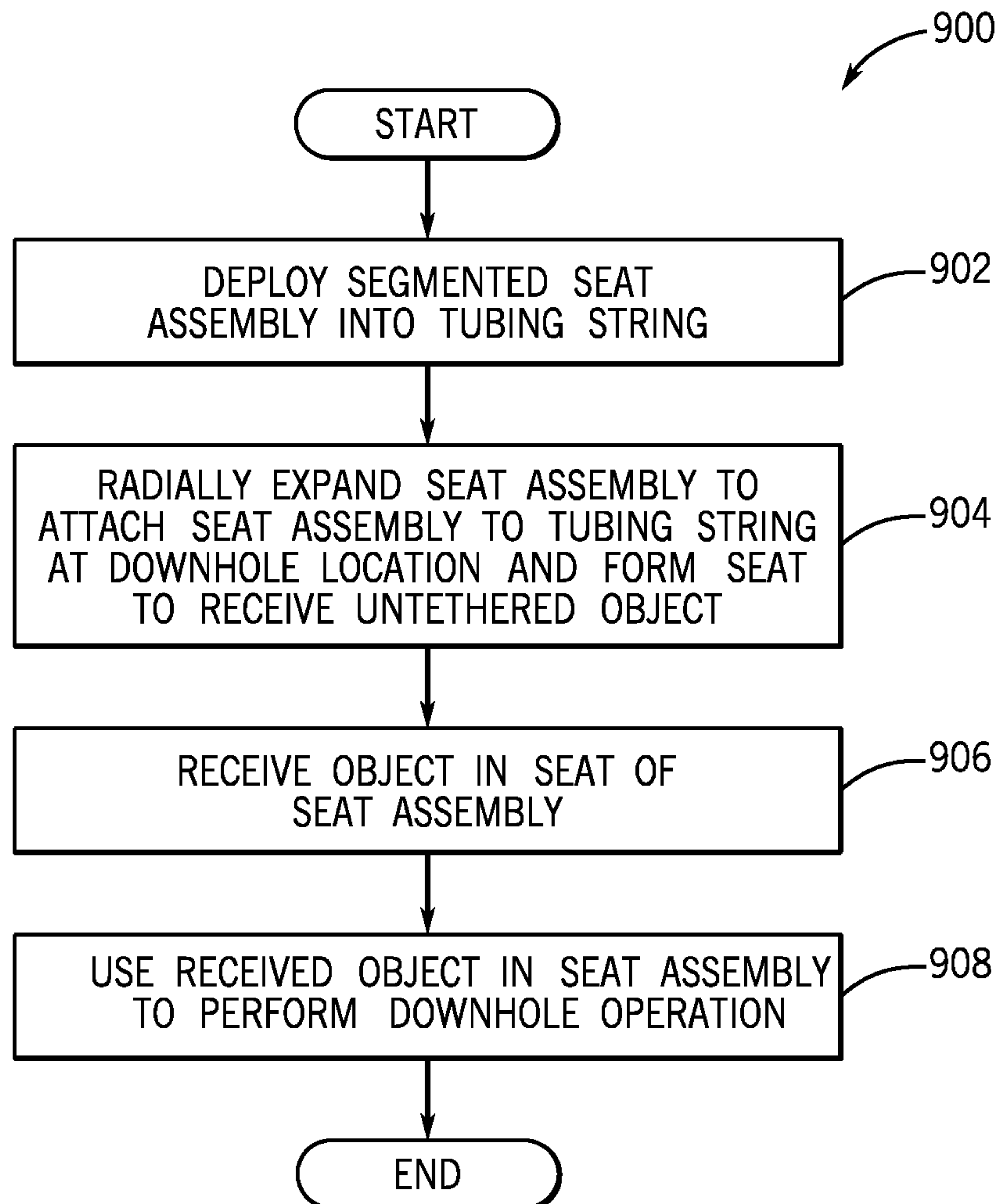


FIG. 9

11 / 37

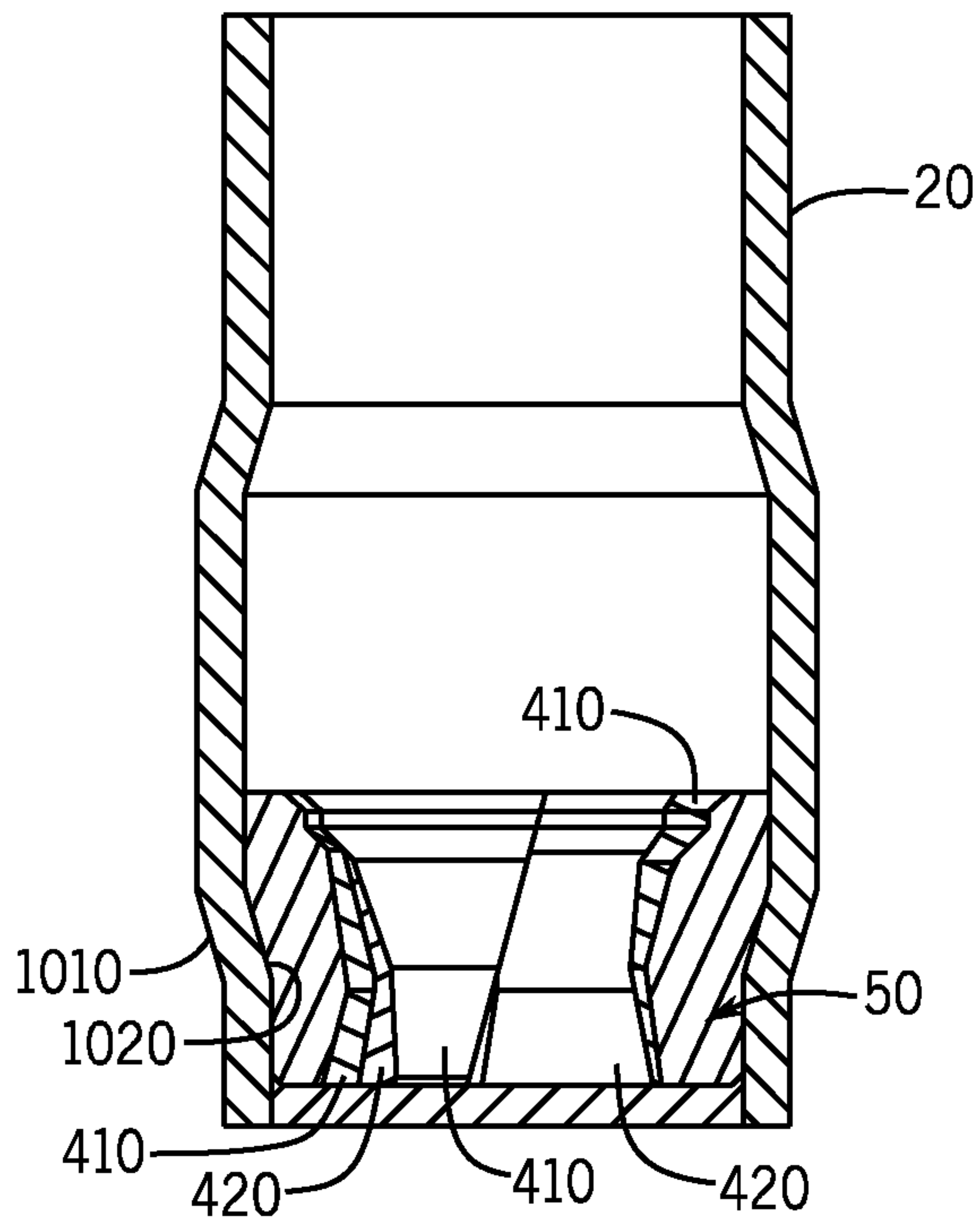


FIG. 10

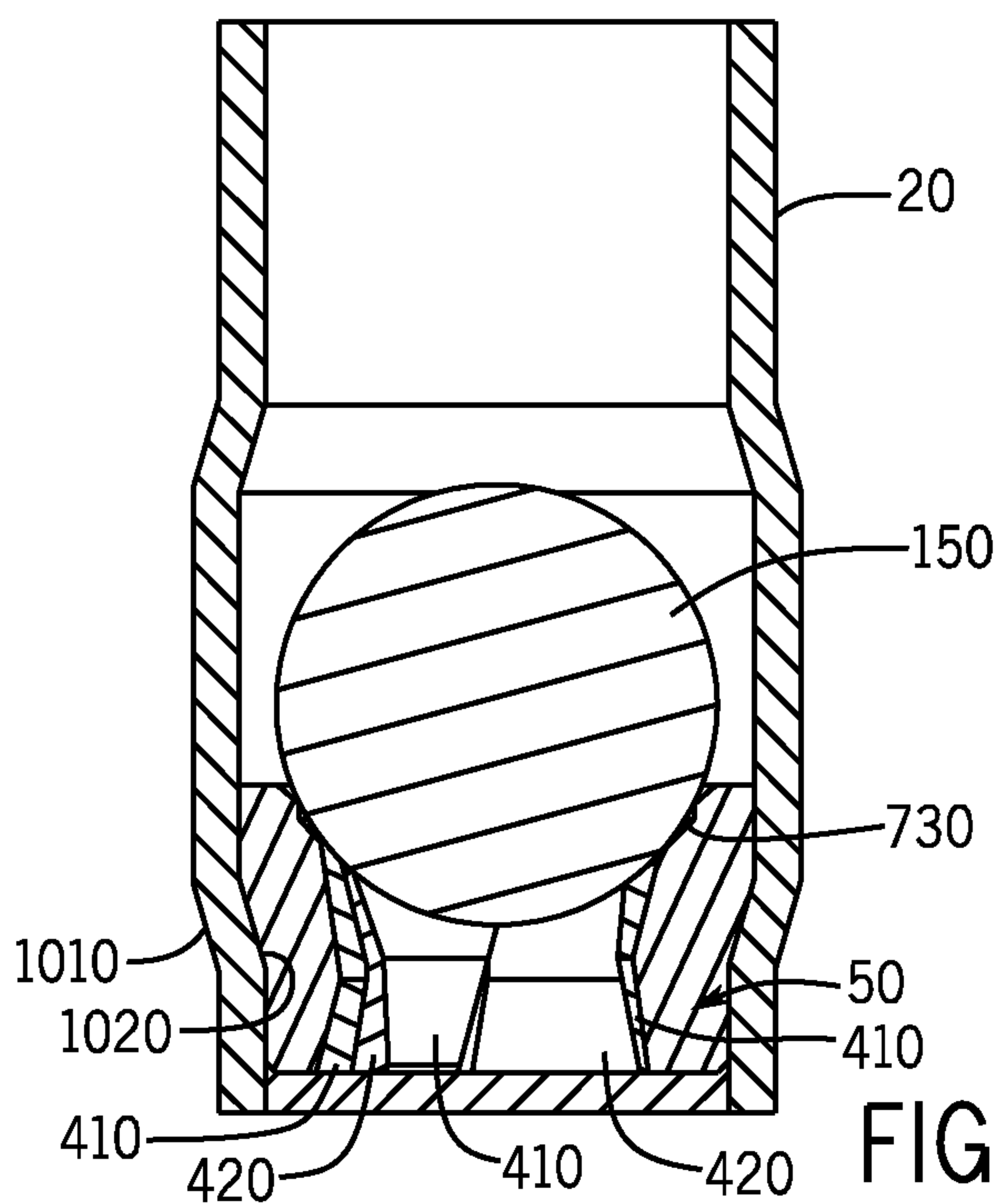


FIG. 11

12 / 37

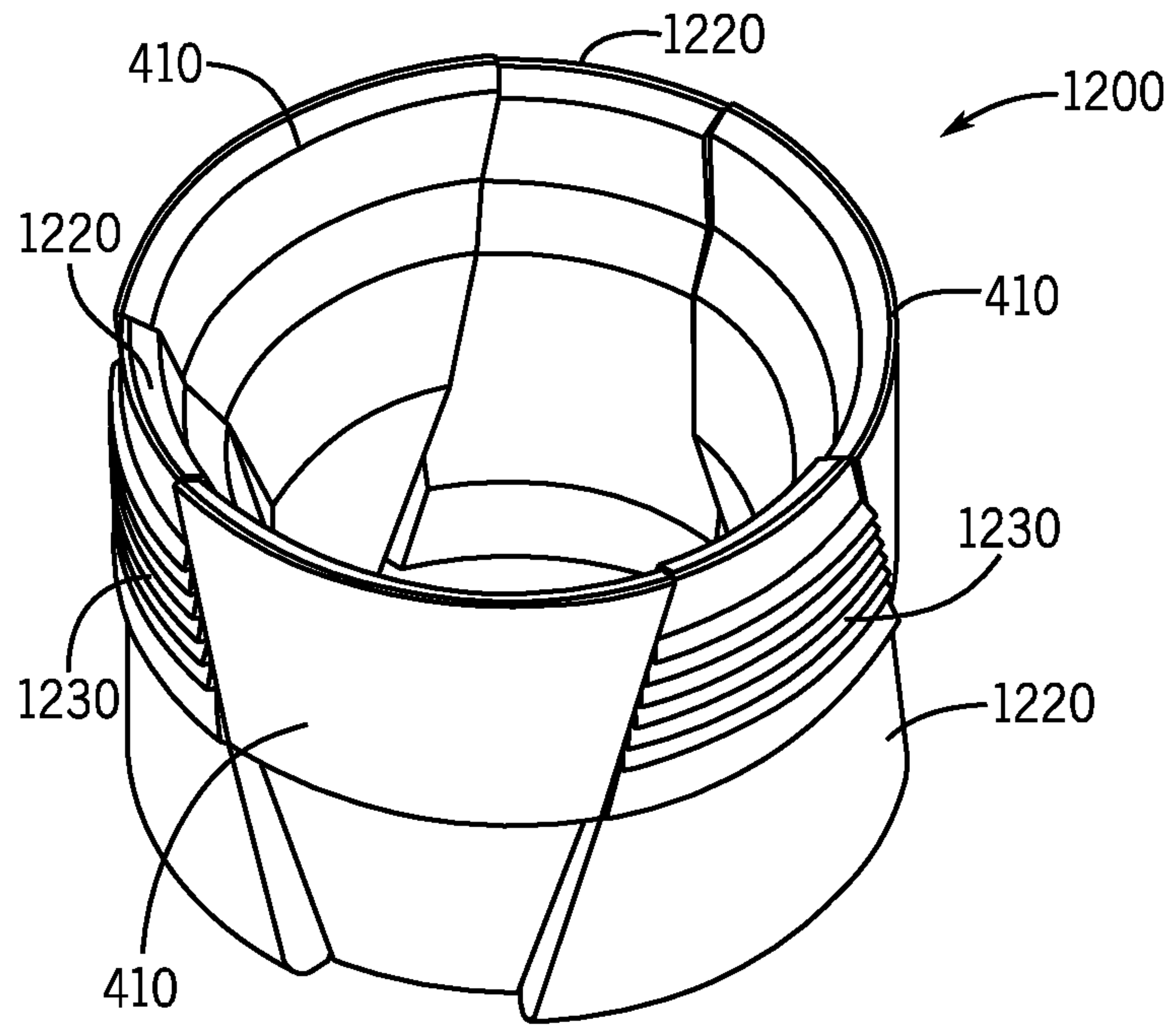


FIG. 12

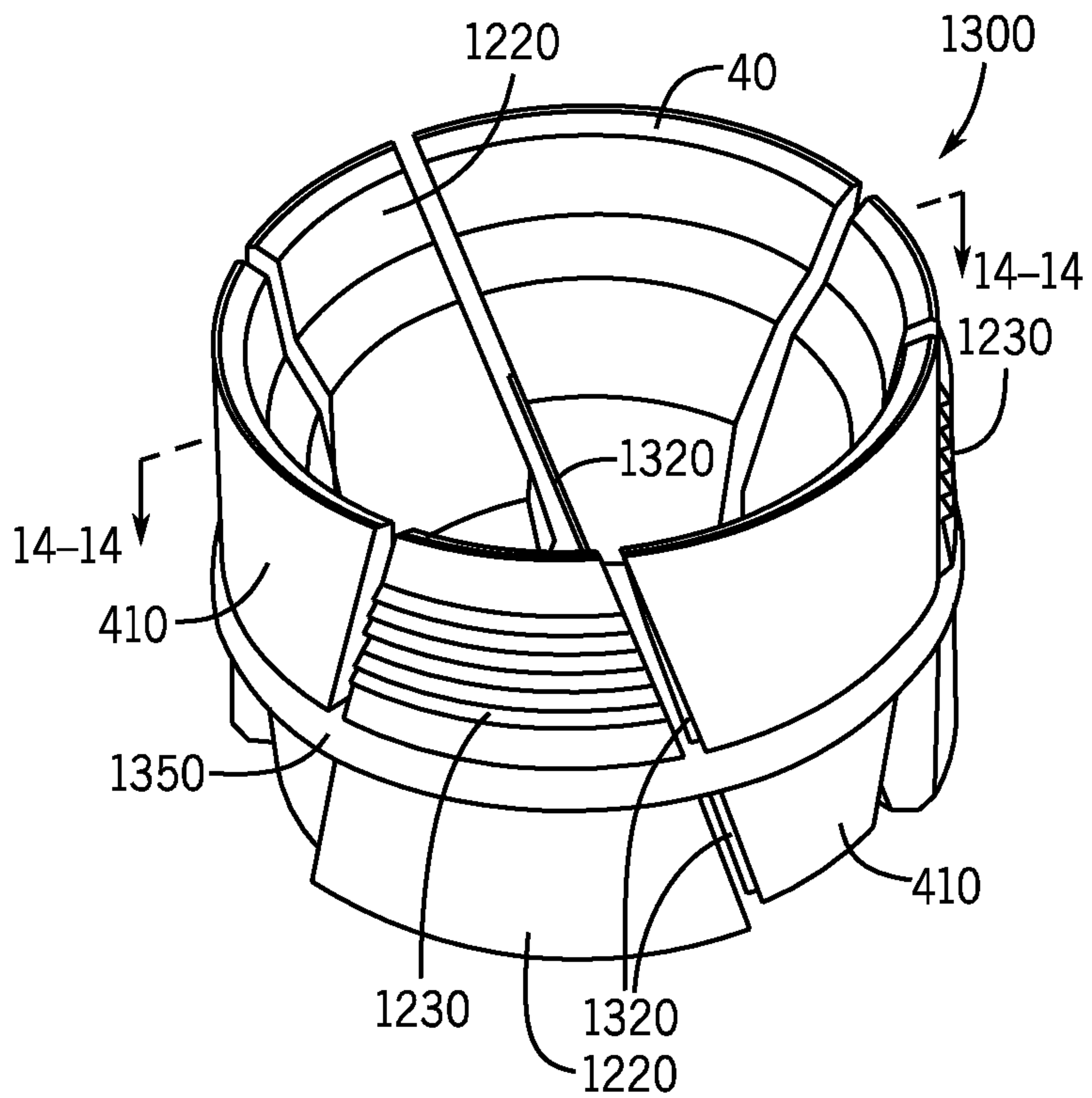


FIG. 13

13 / 37

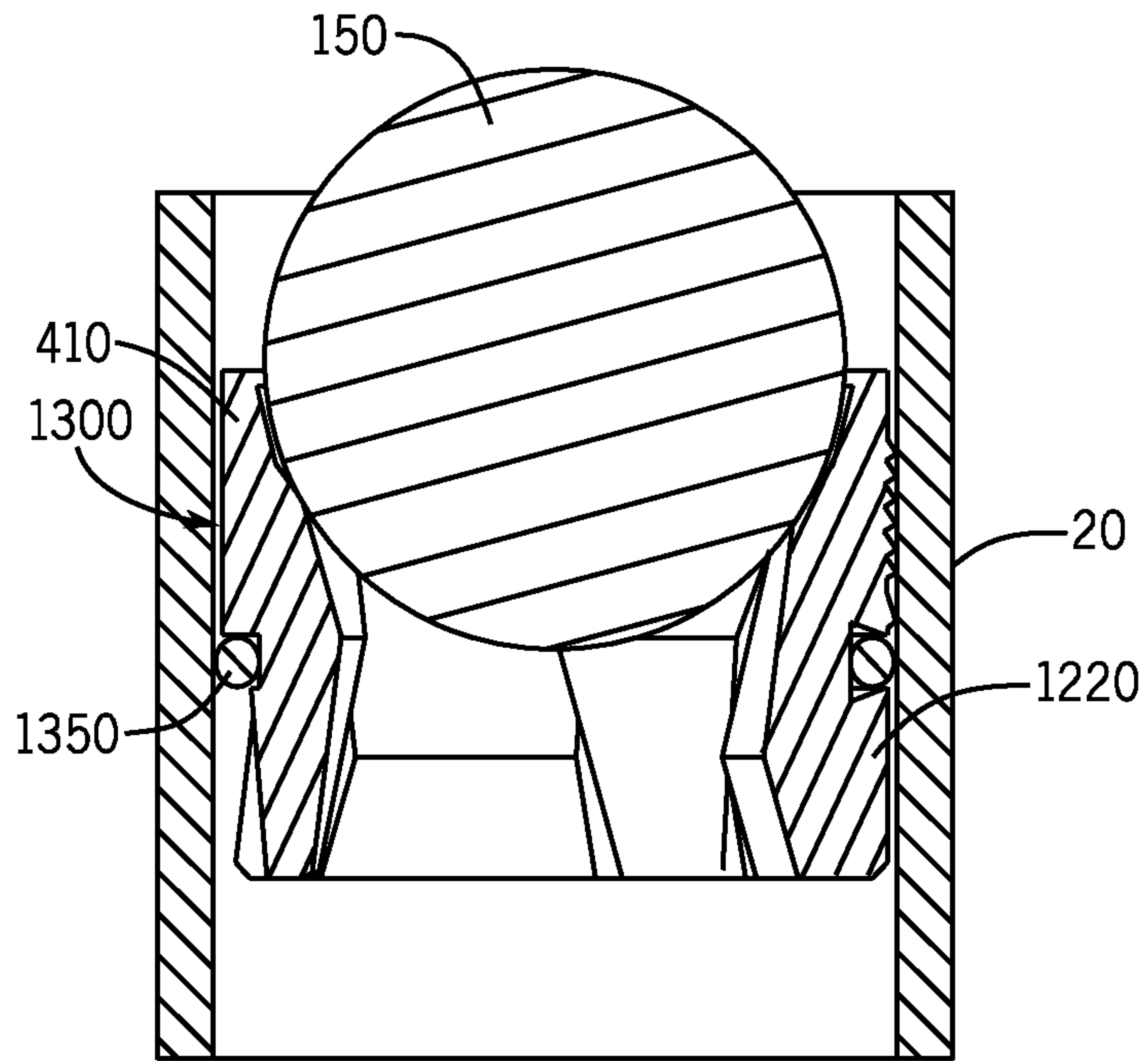


FIG. 14

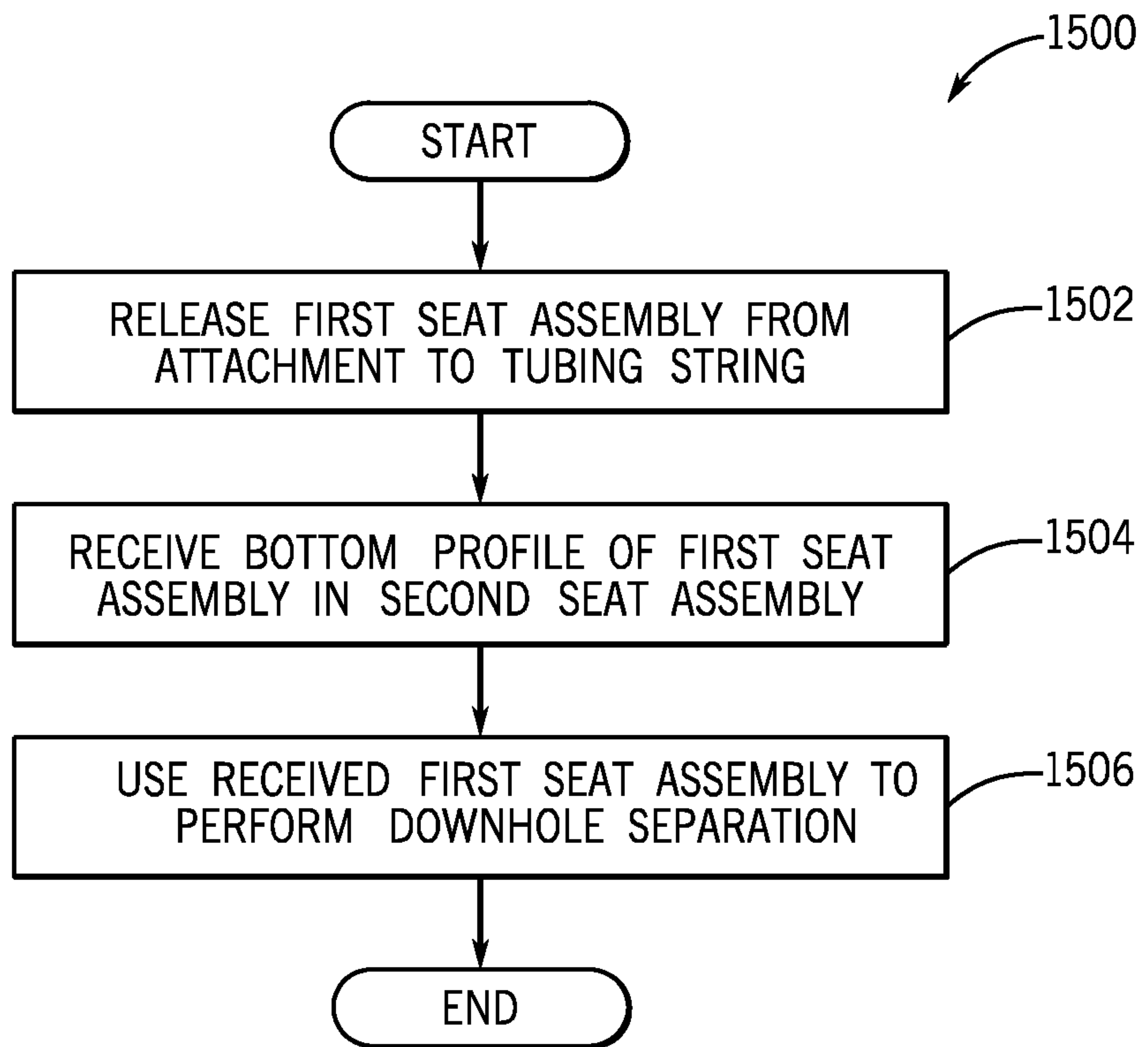


FIG. 15

14 / 37

FIG. 16A

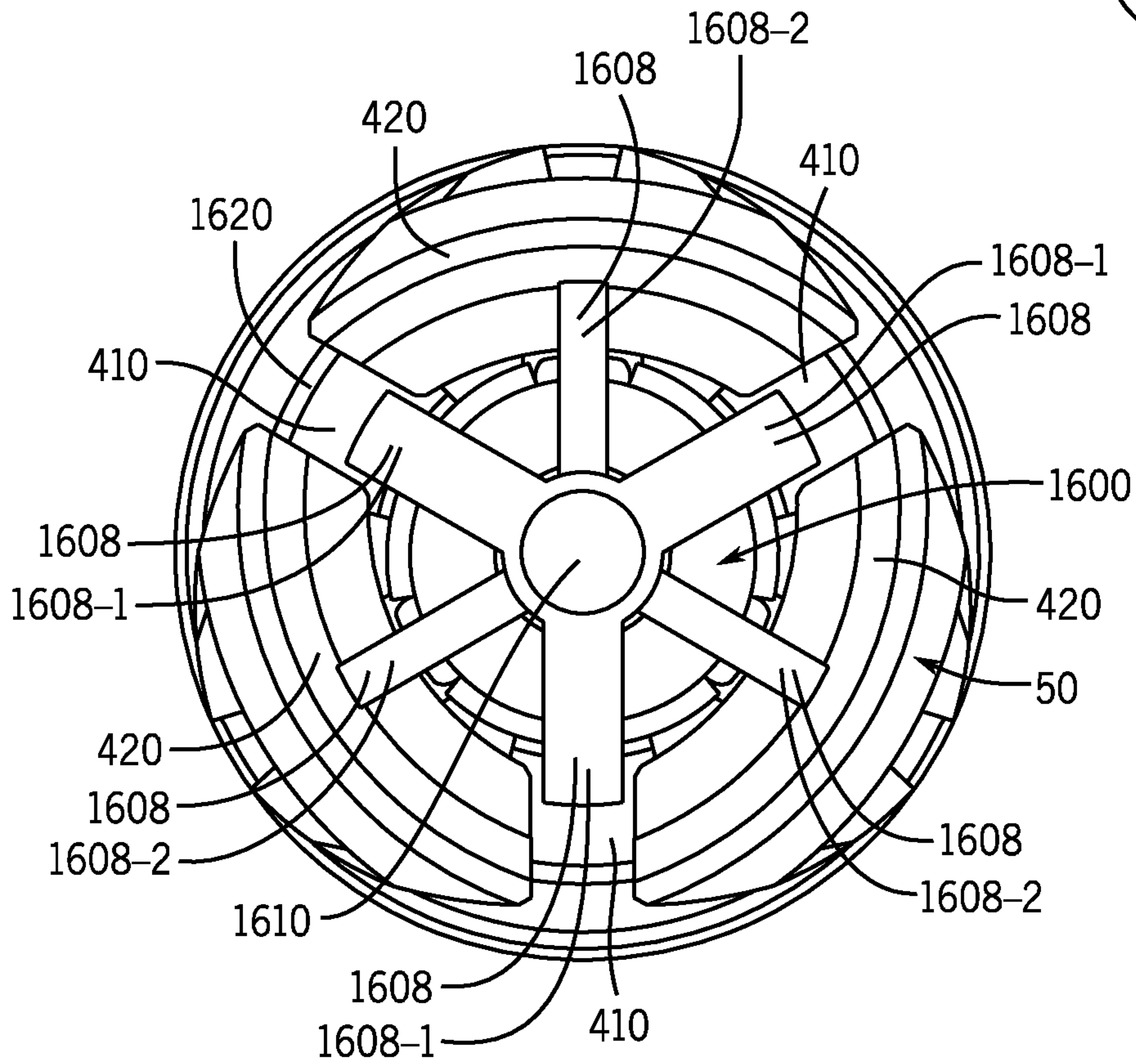
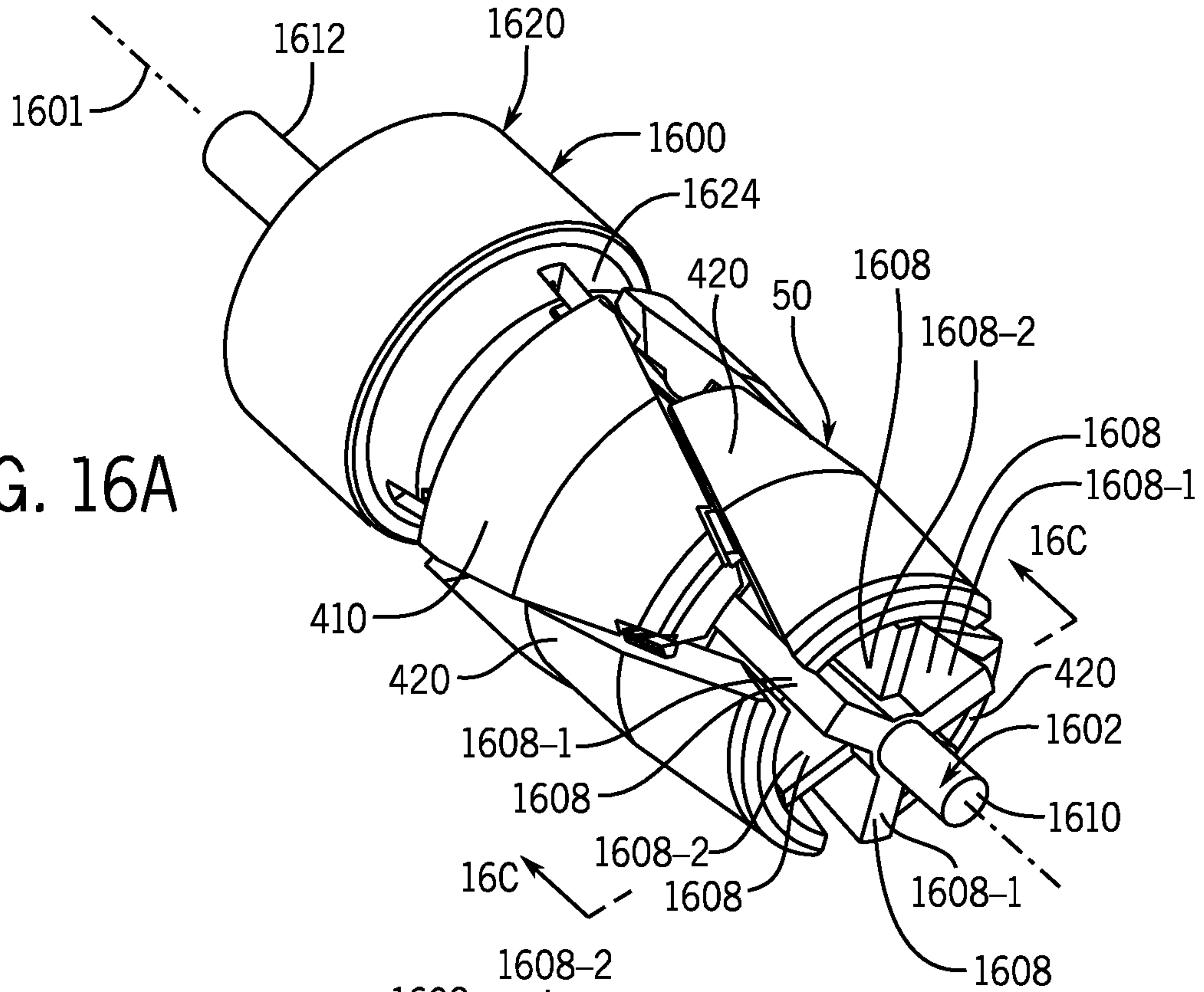


FIG. 16B

15 / 37

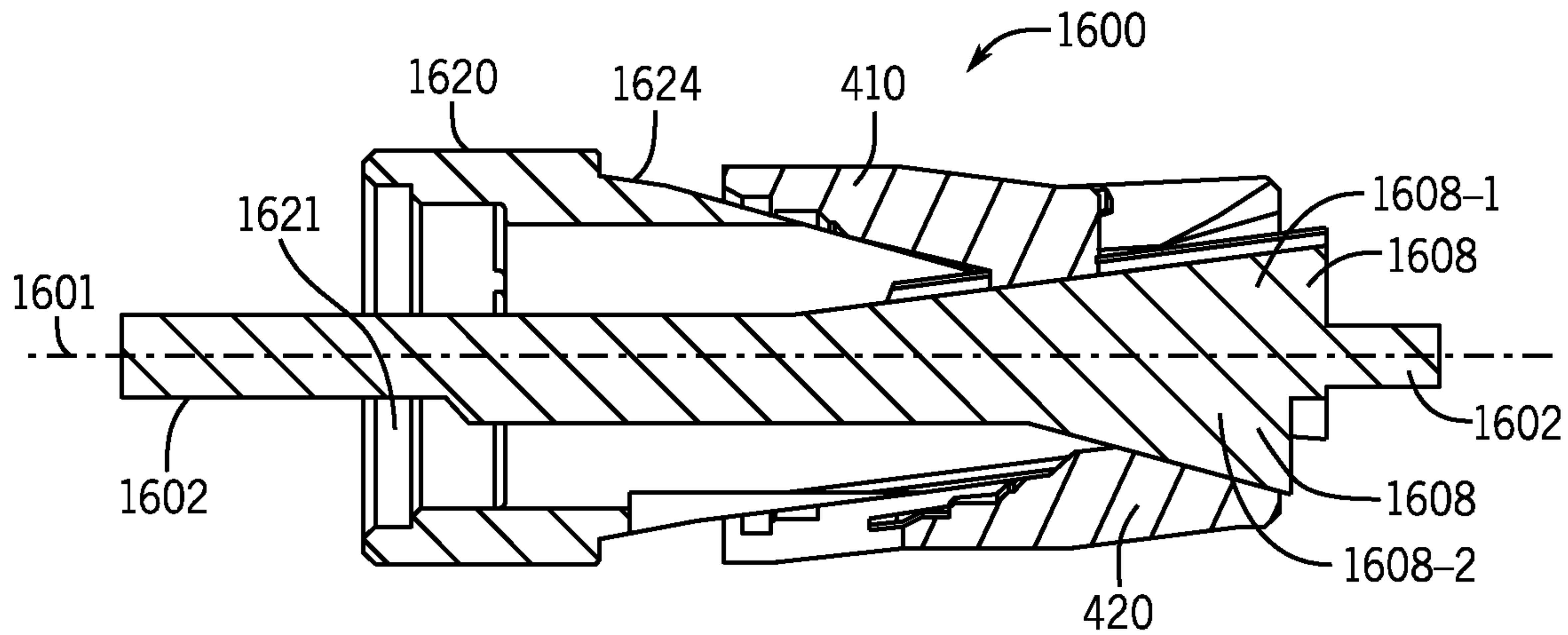


FIG. 16C

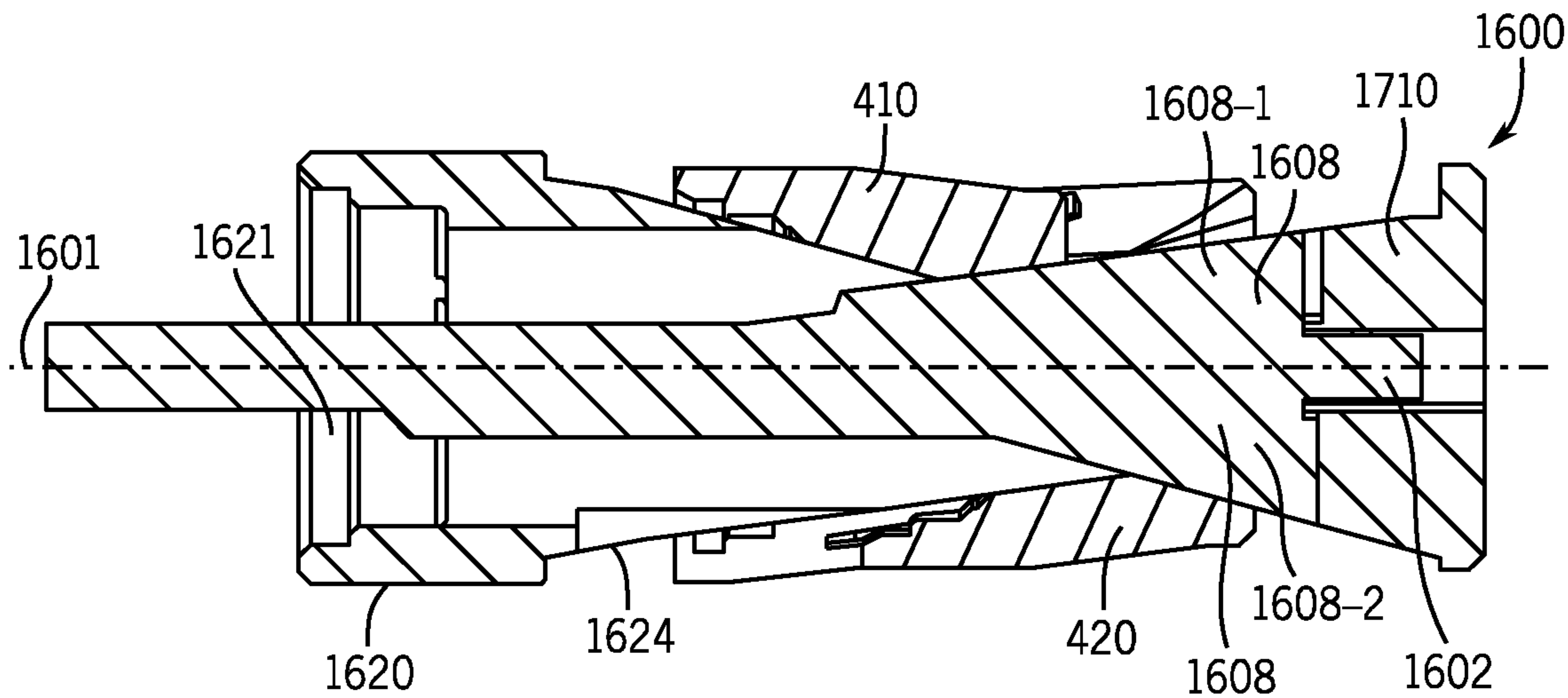
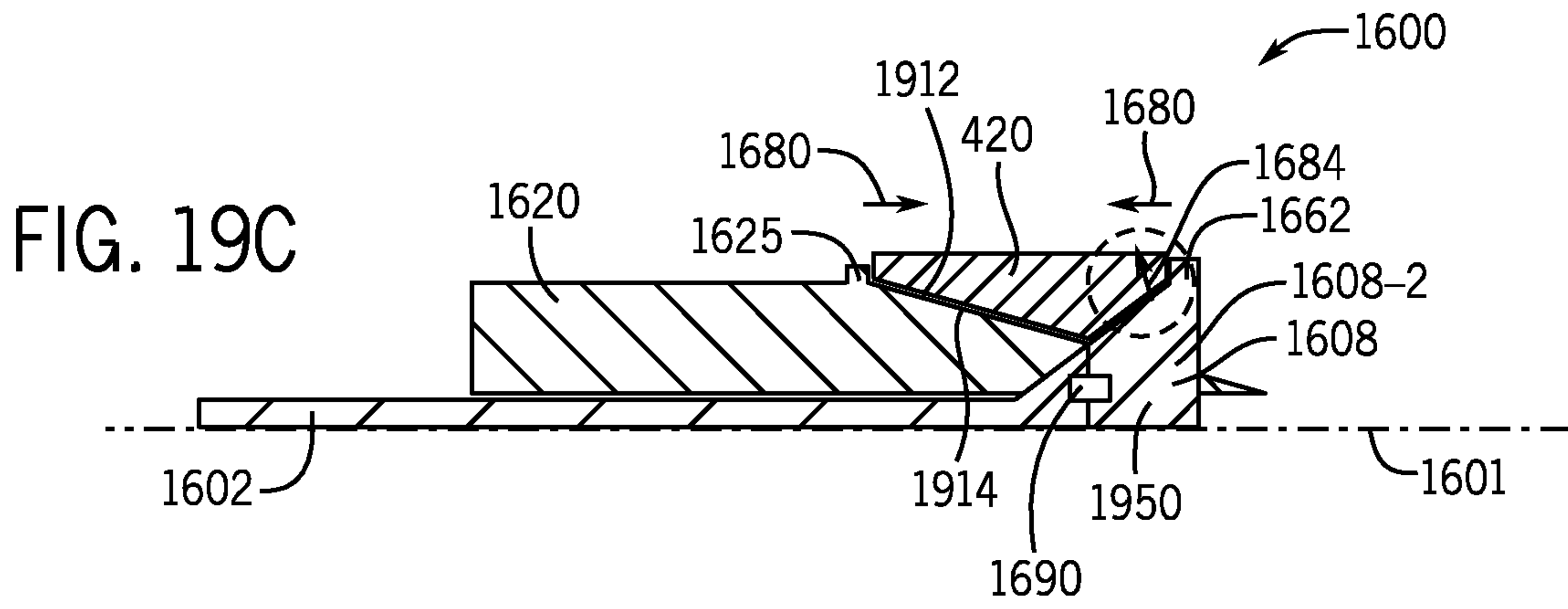
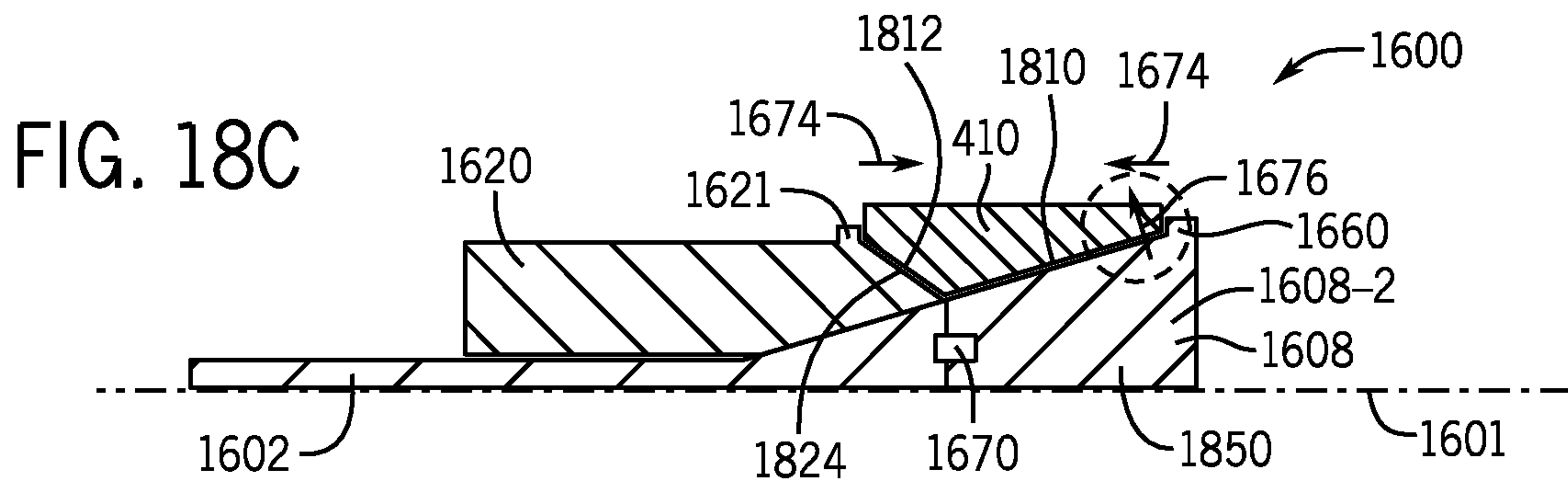
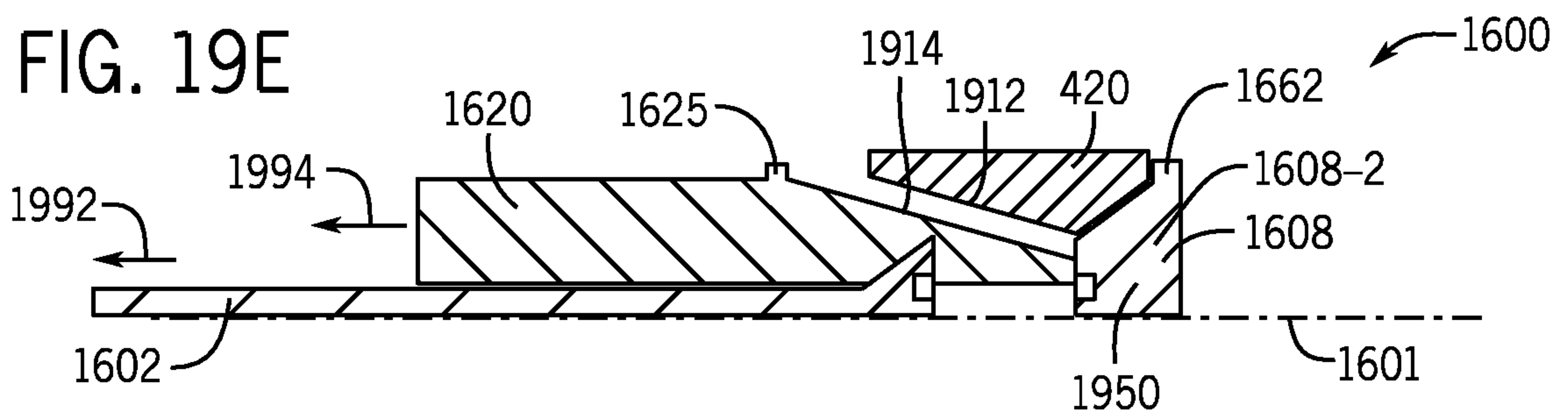
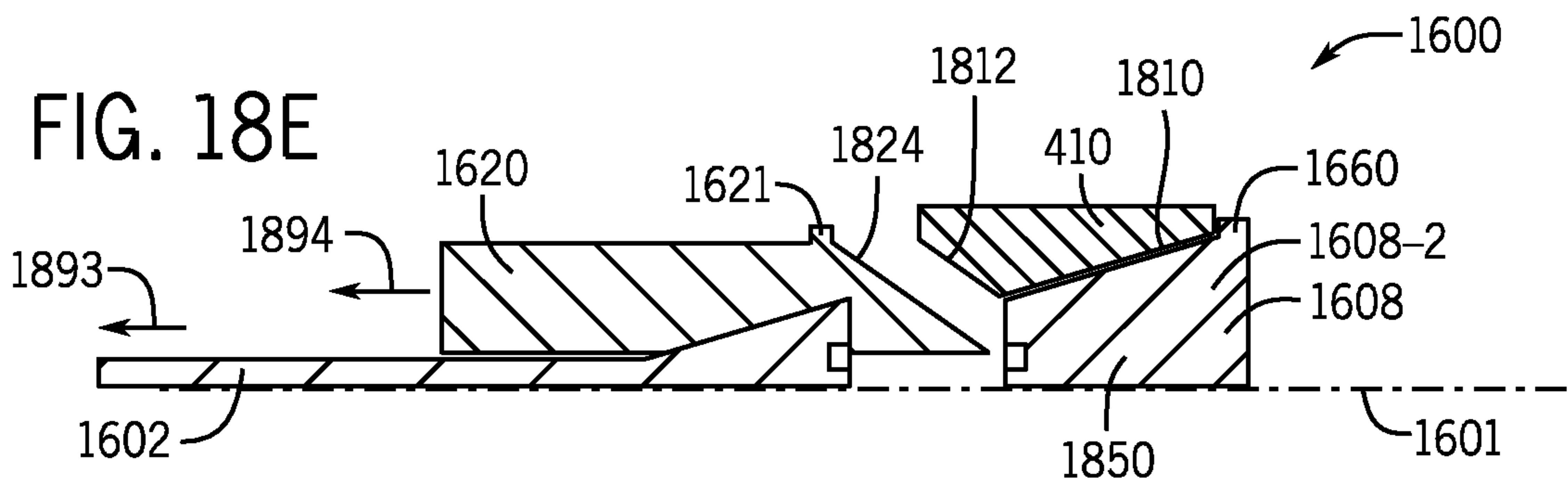
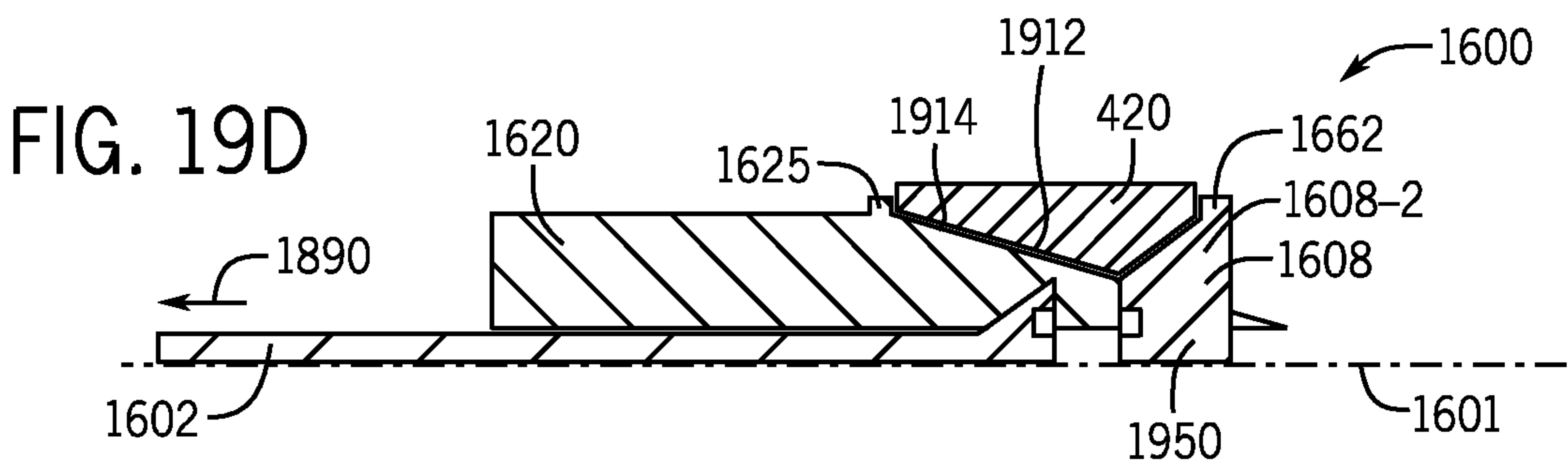
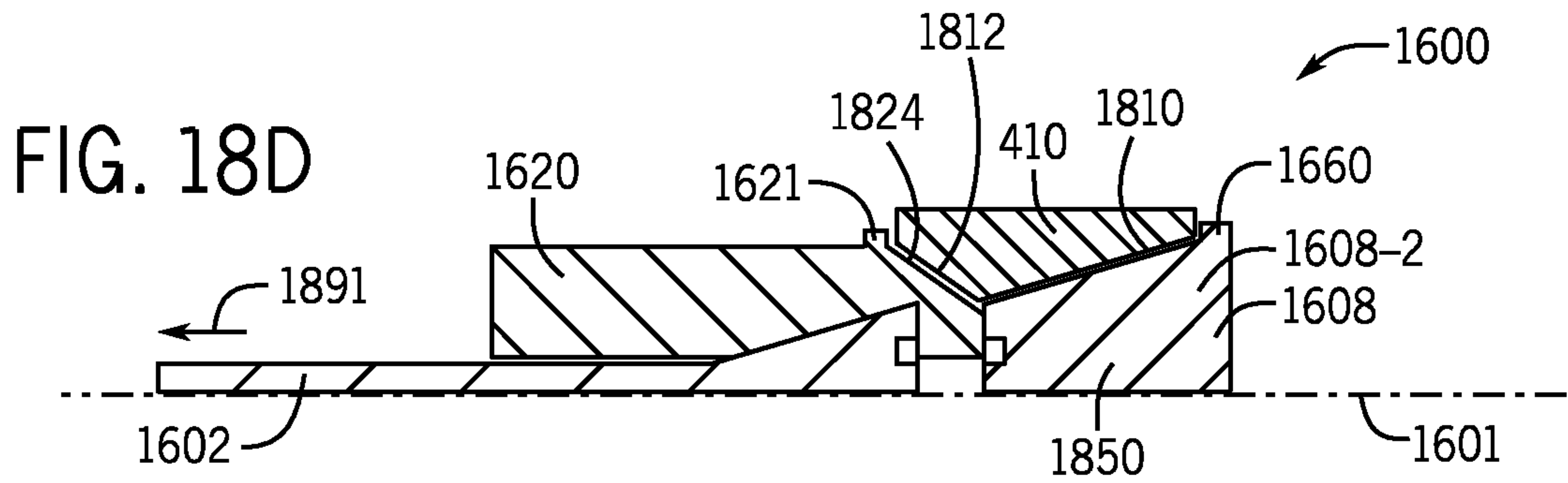


FIG. 17





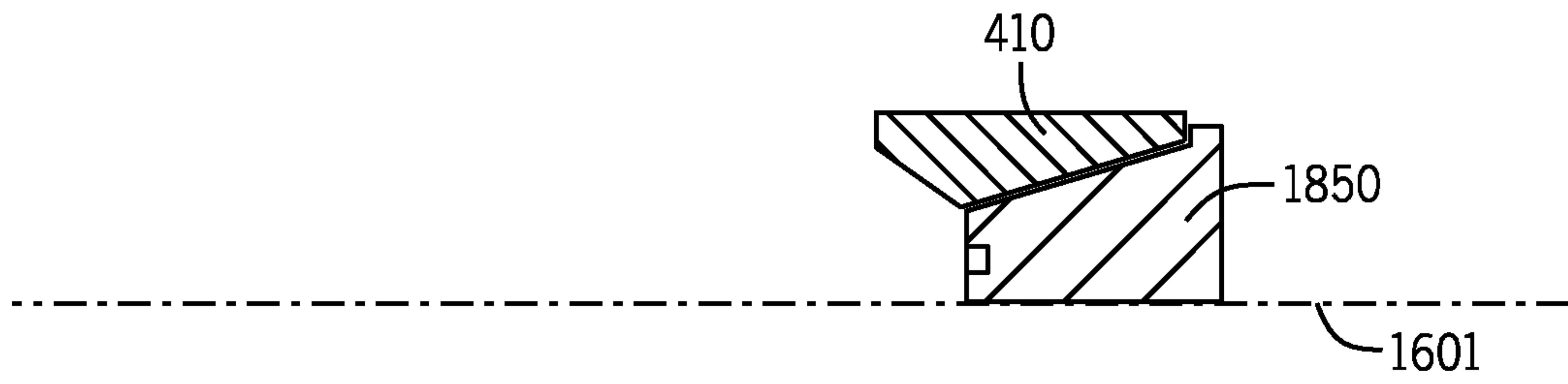


FIG. 18F

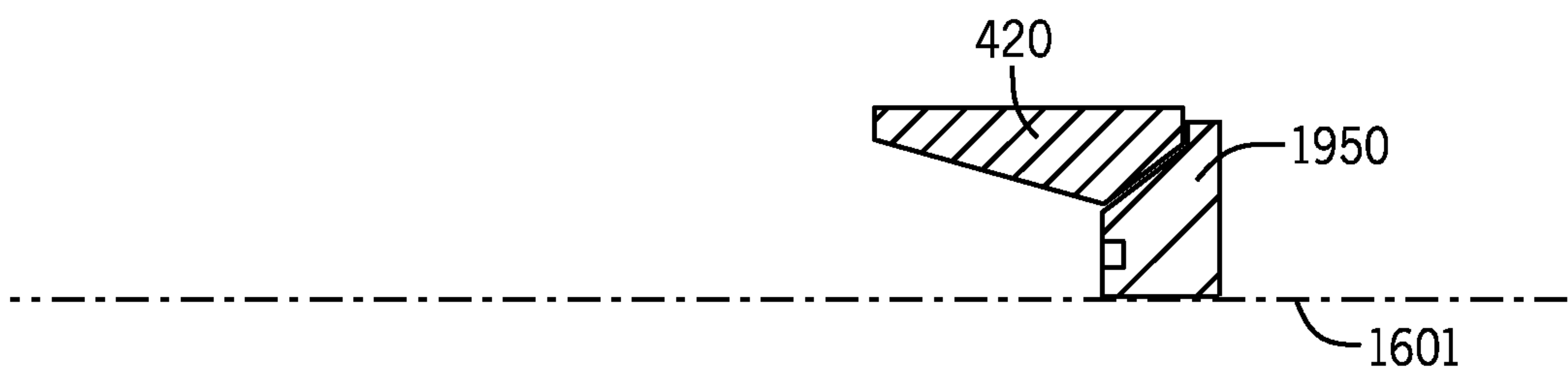


FIG. 19F

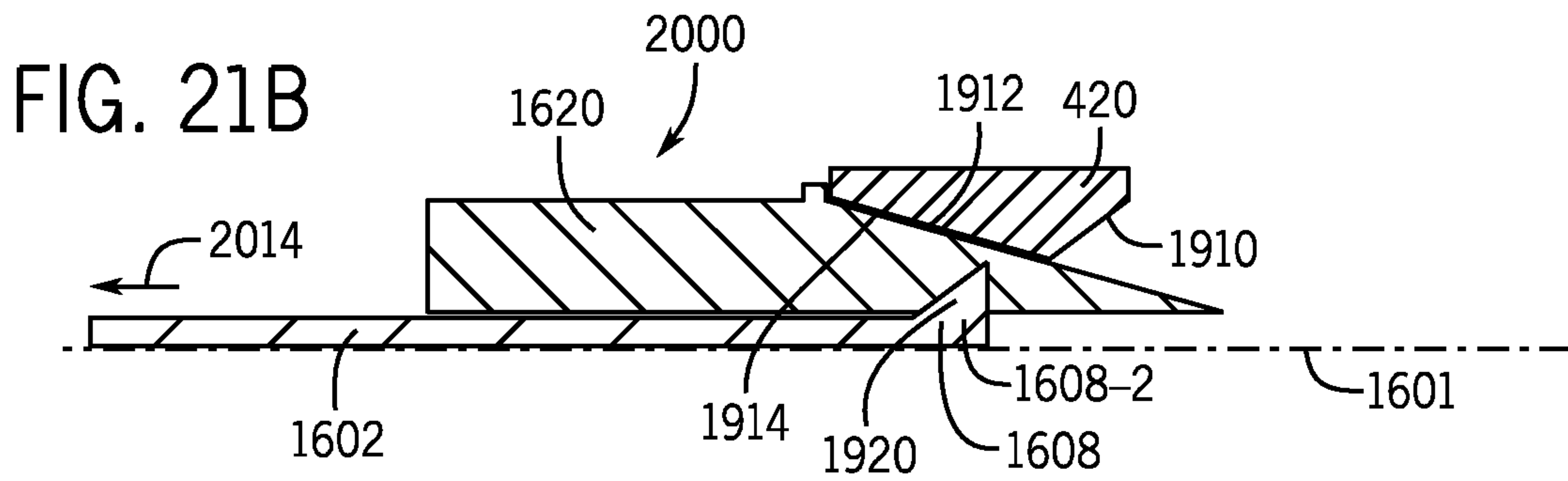
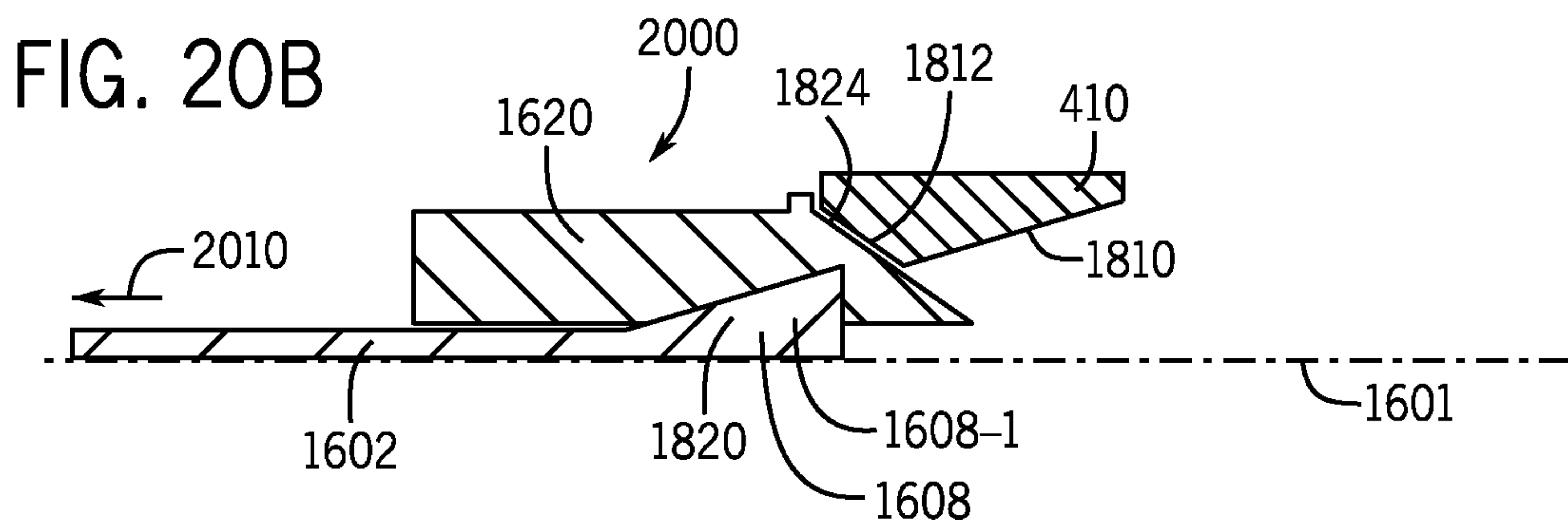
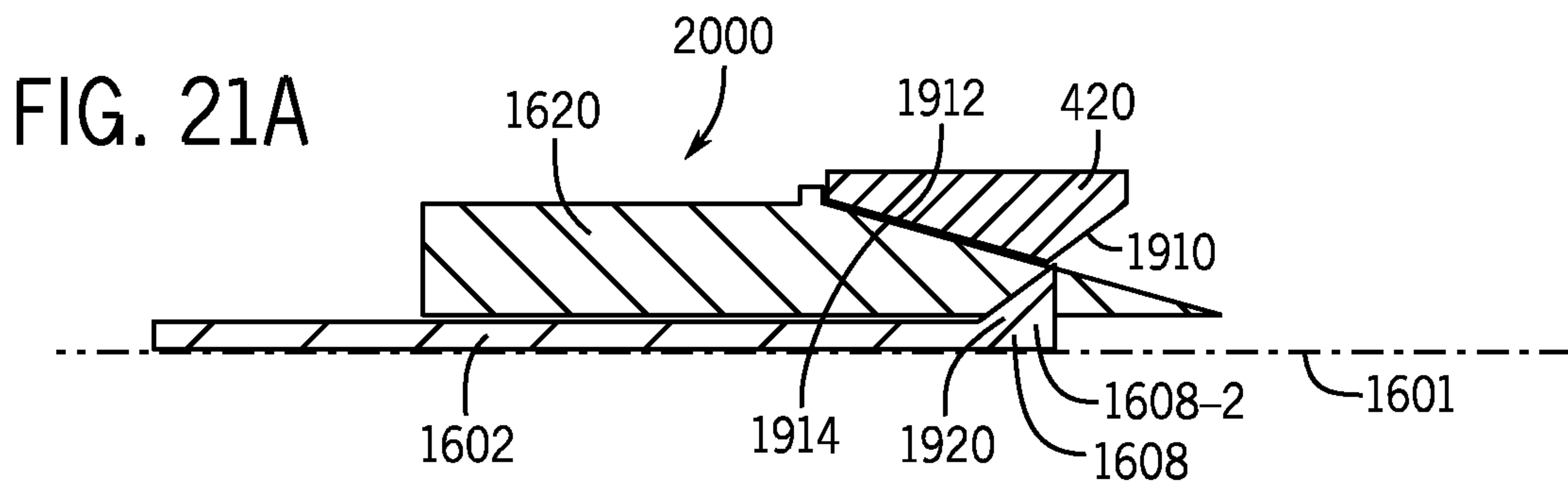
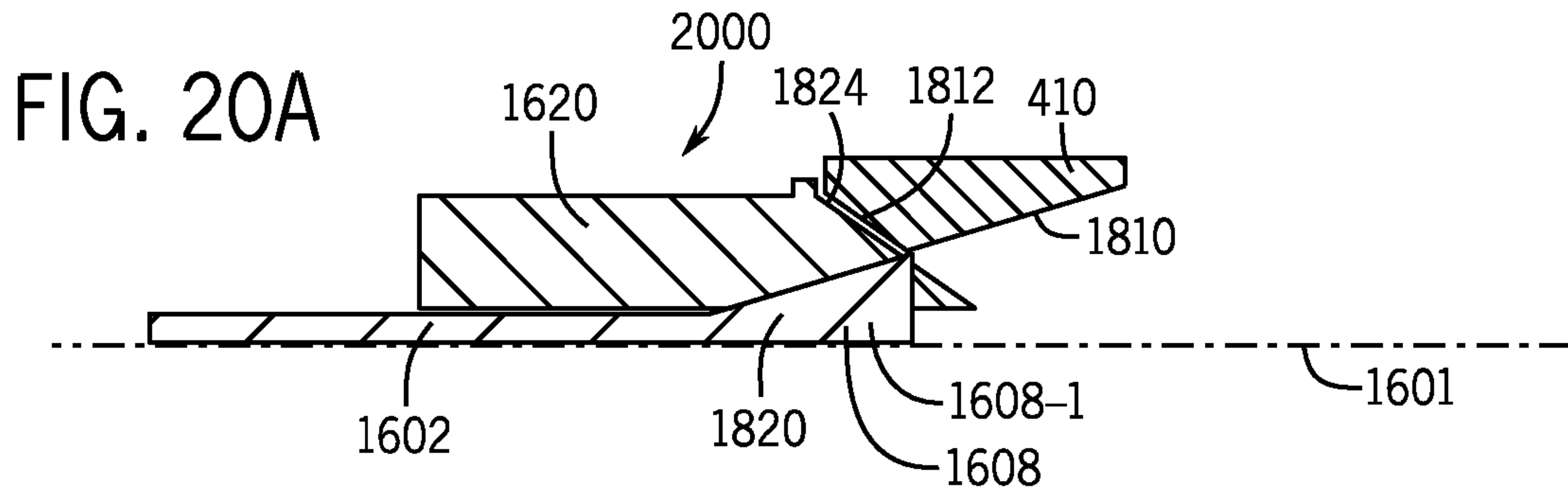


FIG. 20C

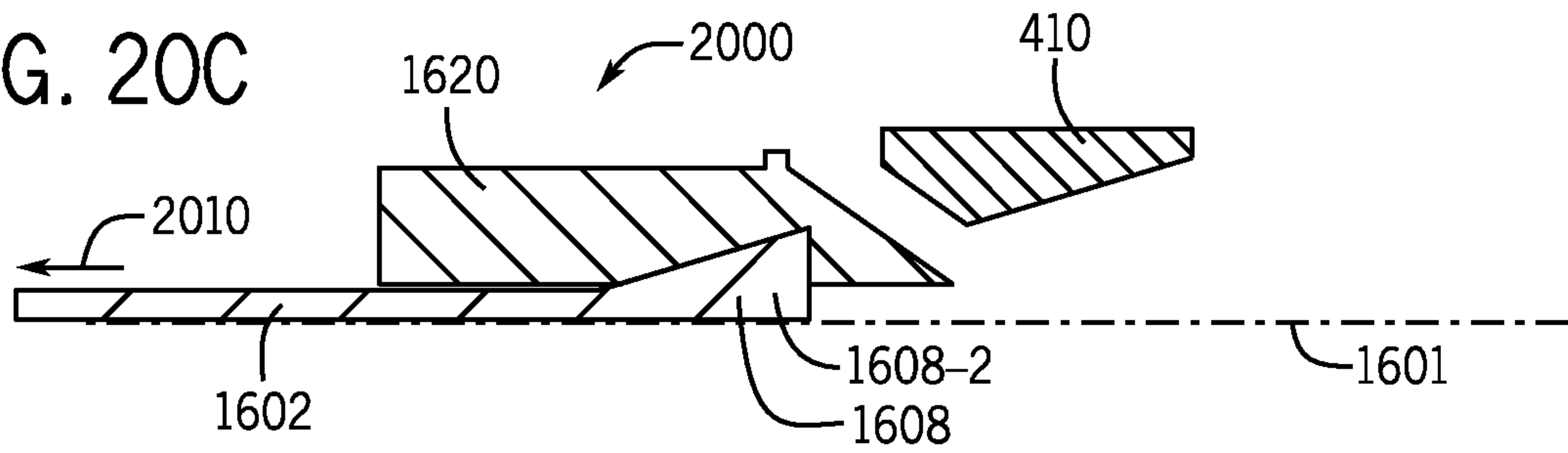


FIG. 21C

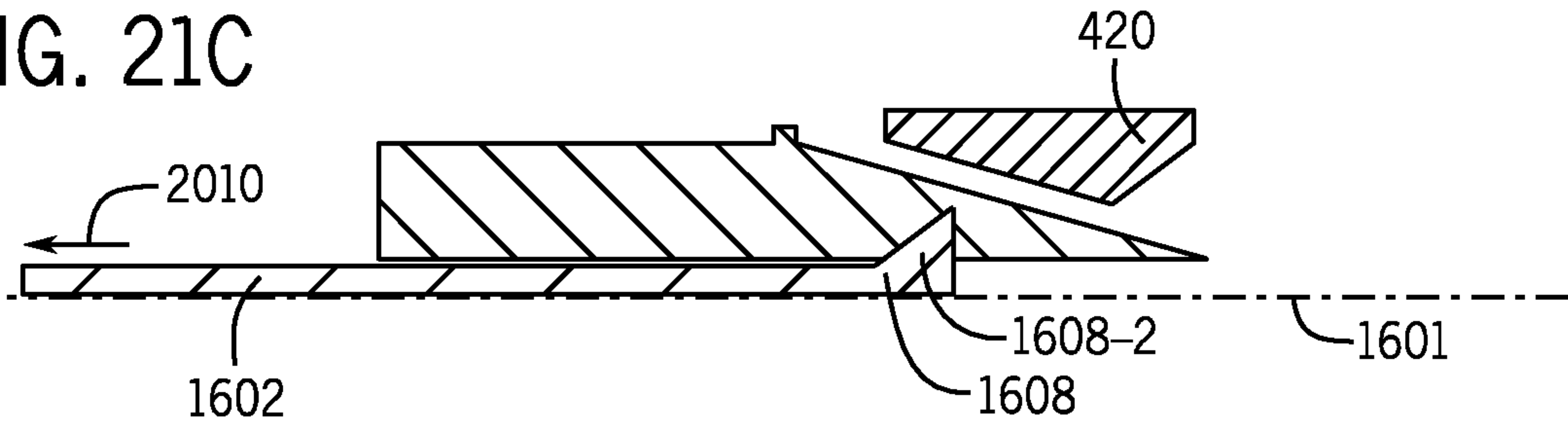


FIG. 20D

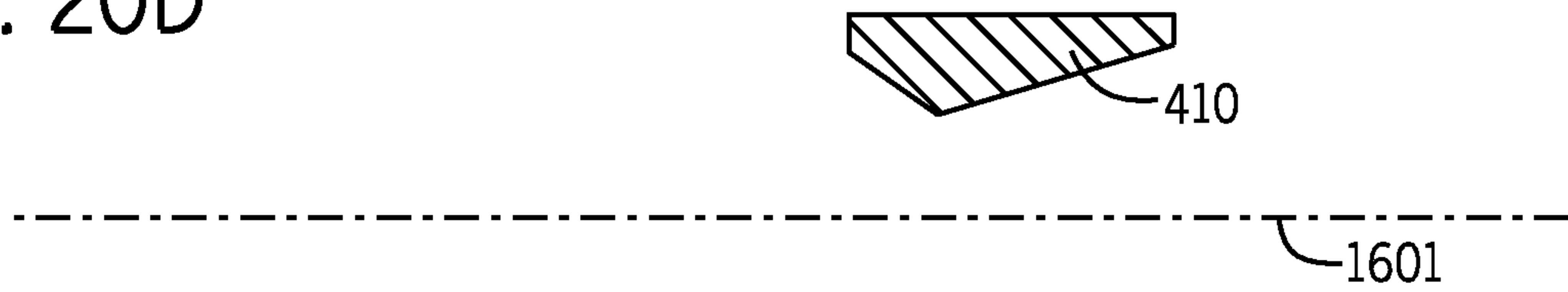


FIG. 21D



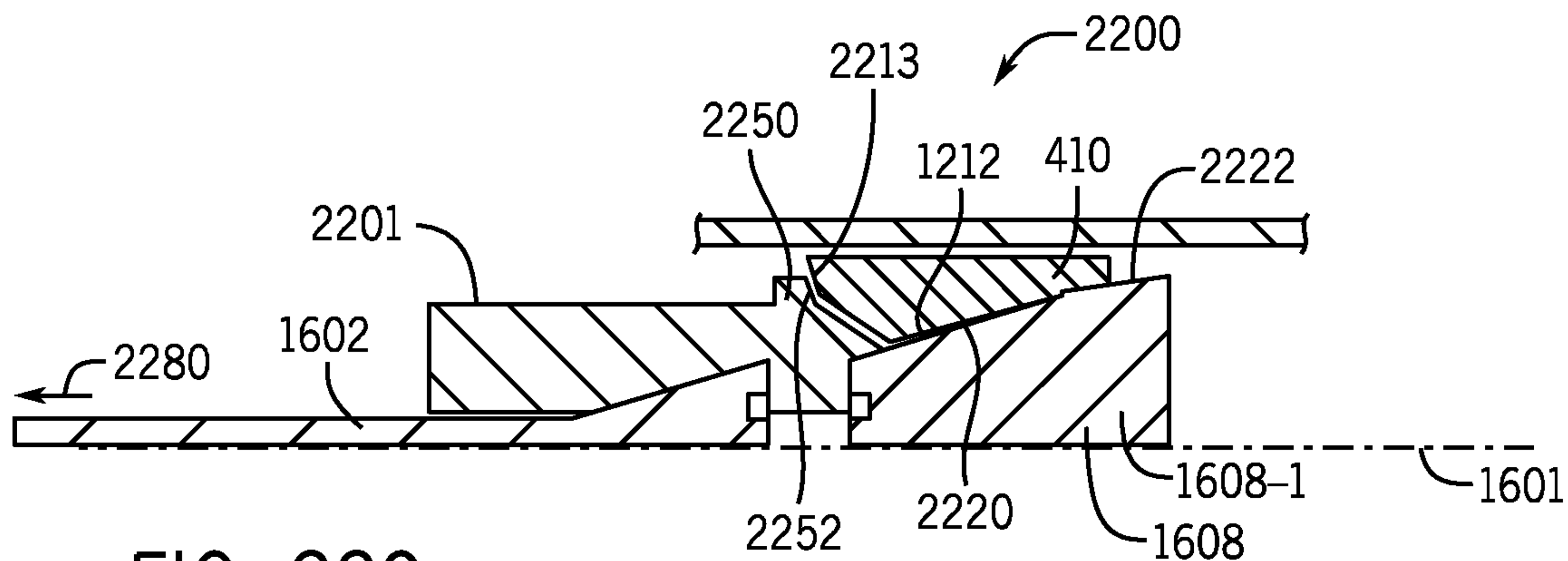


FIG. 22C

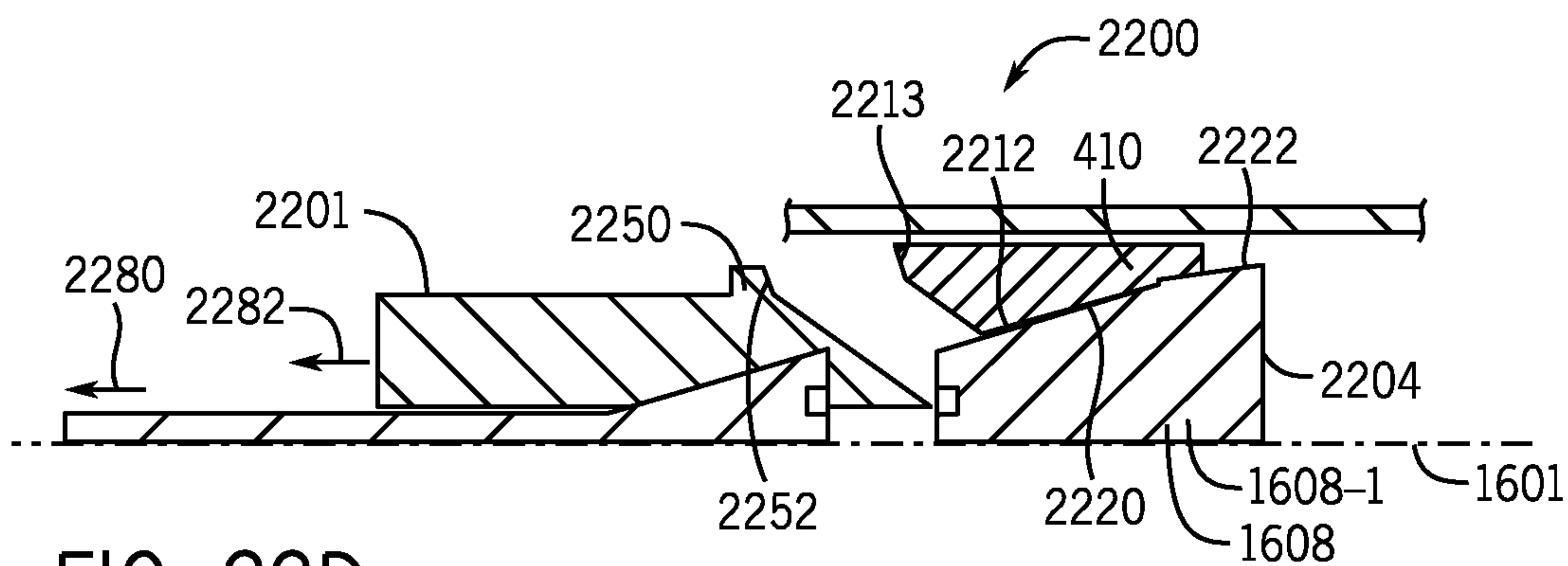


FIG. 22D

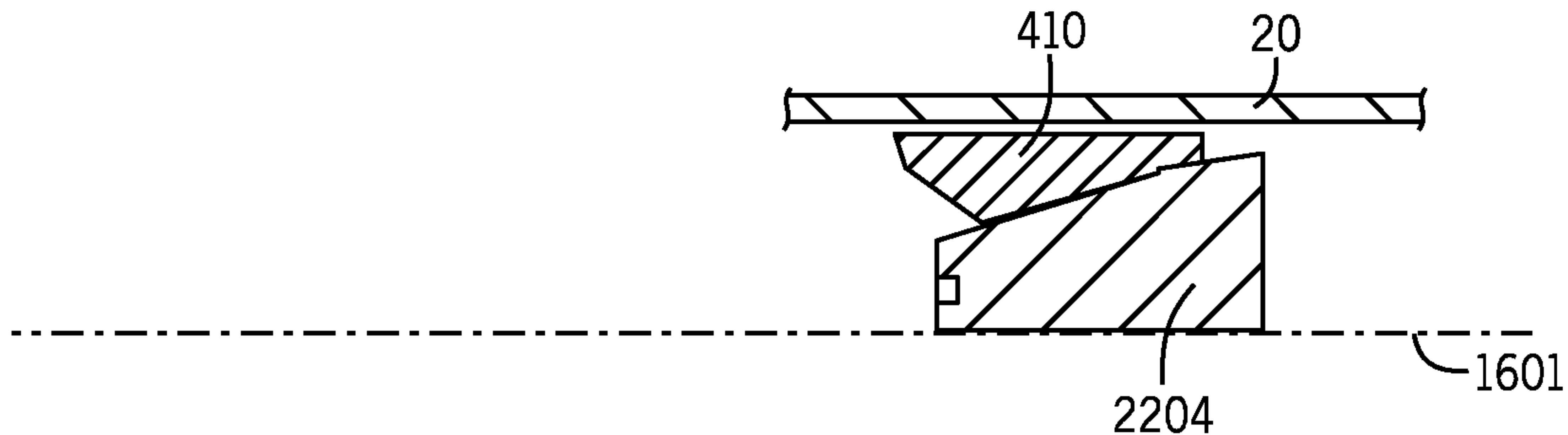
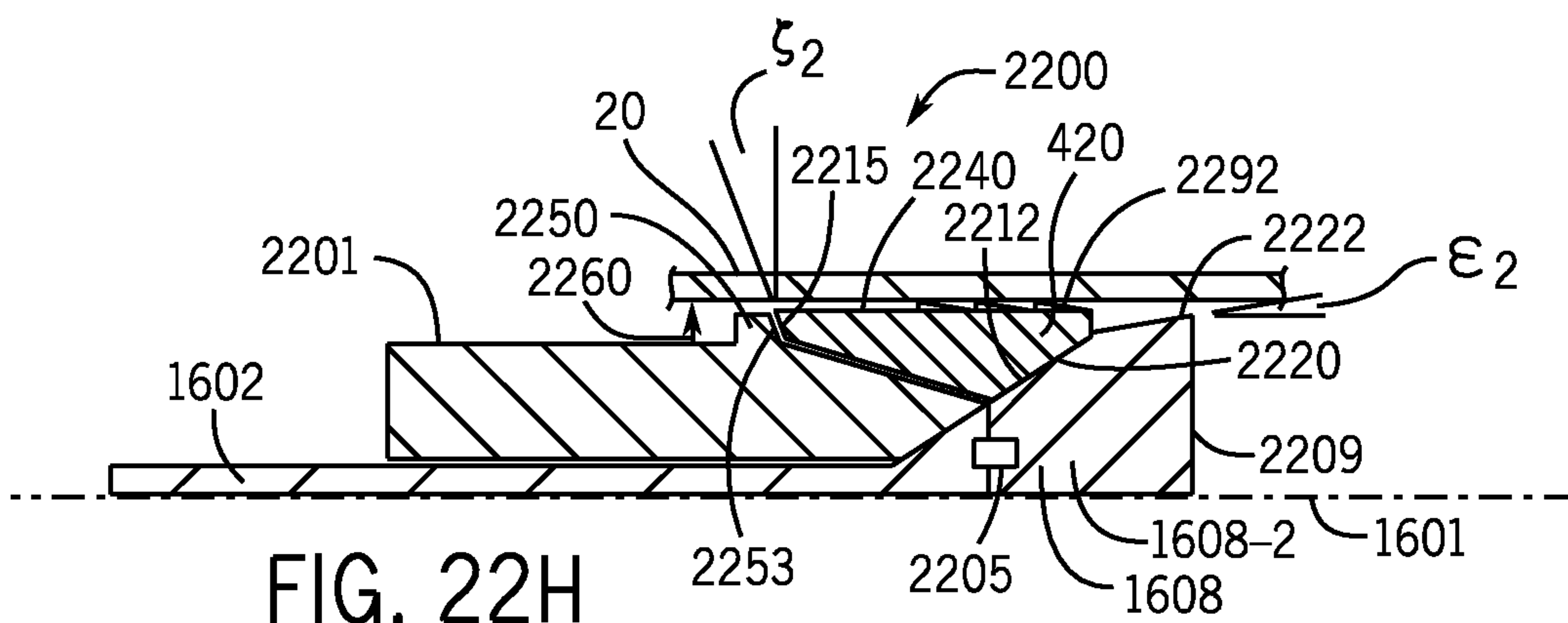
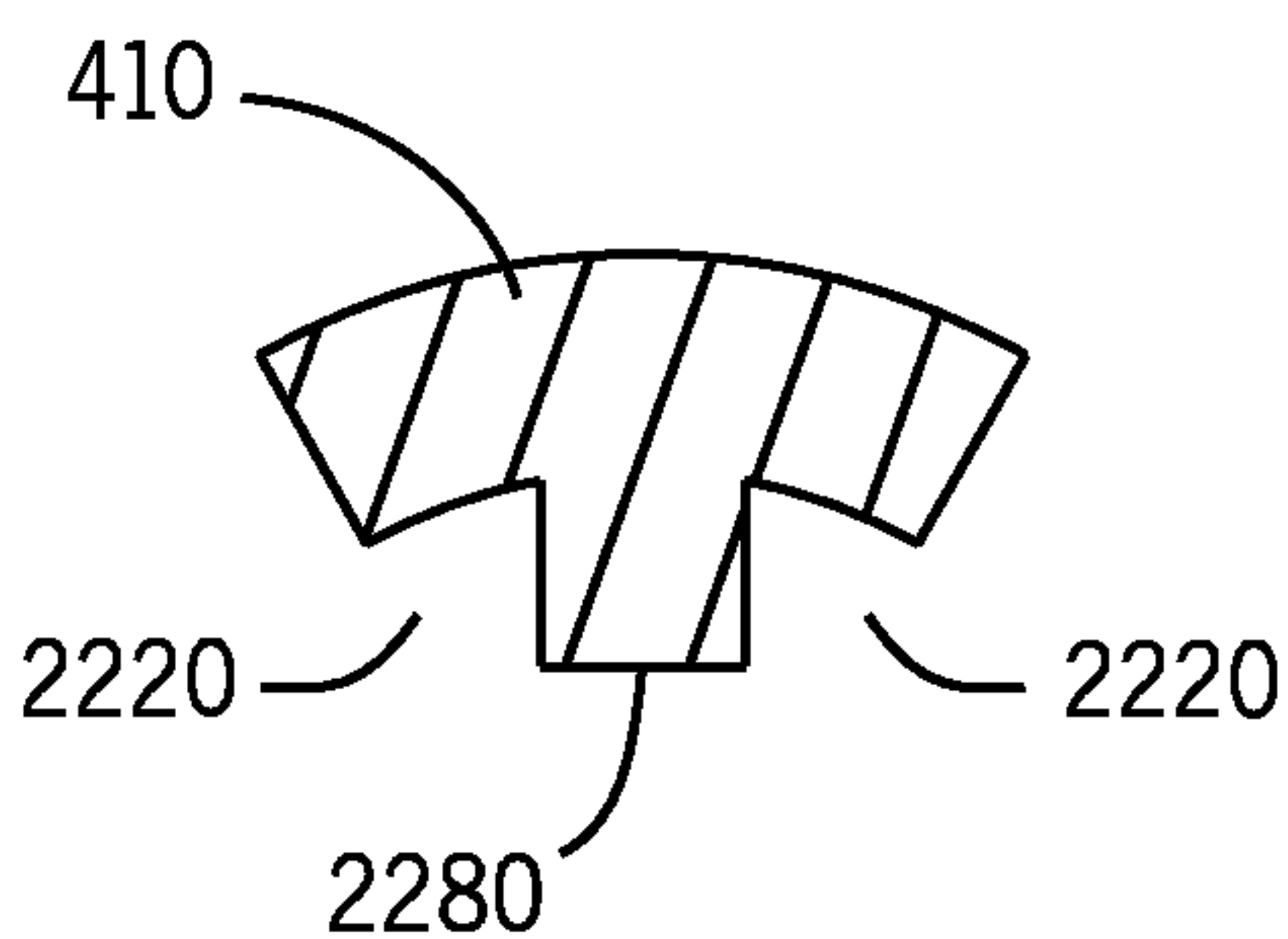
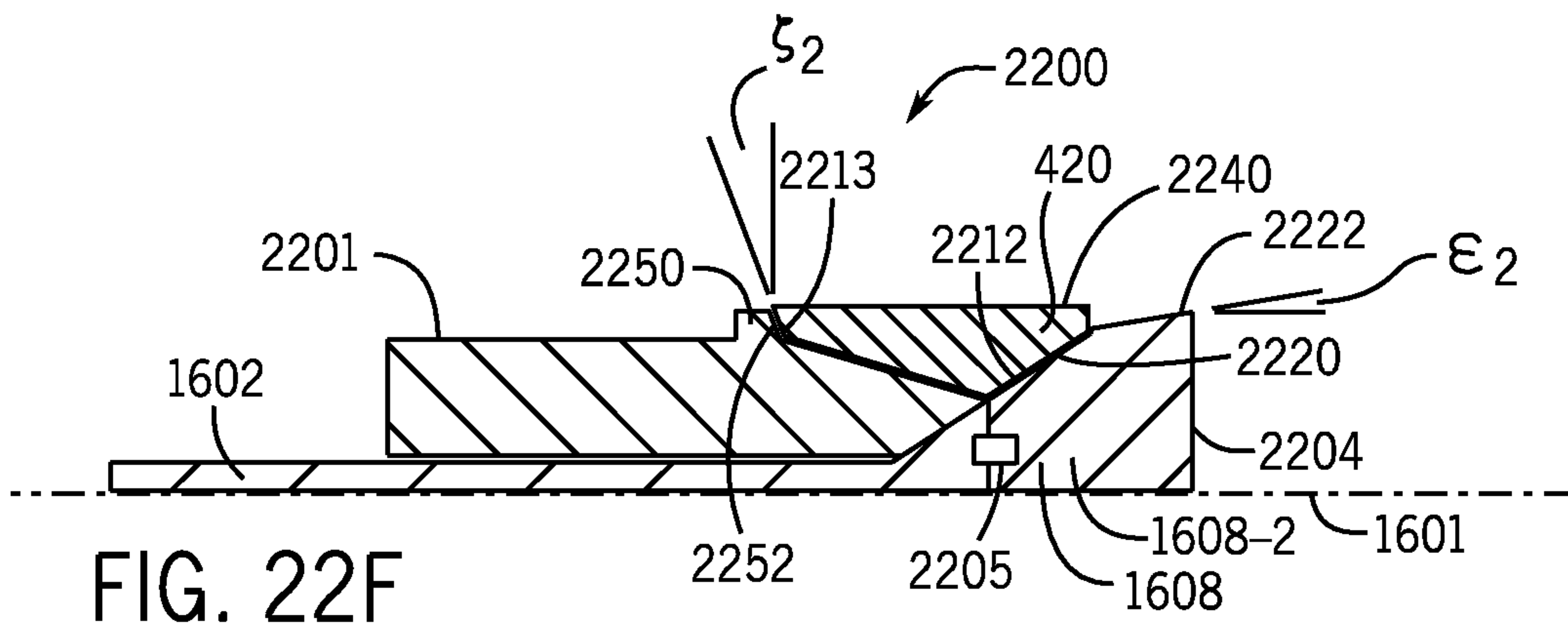
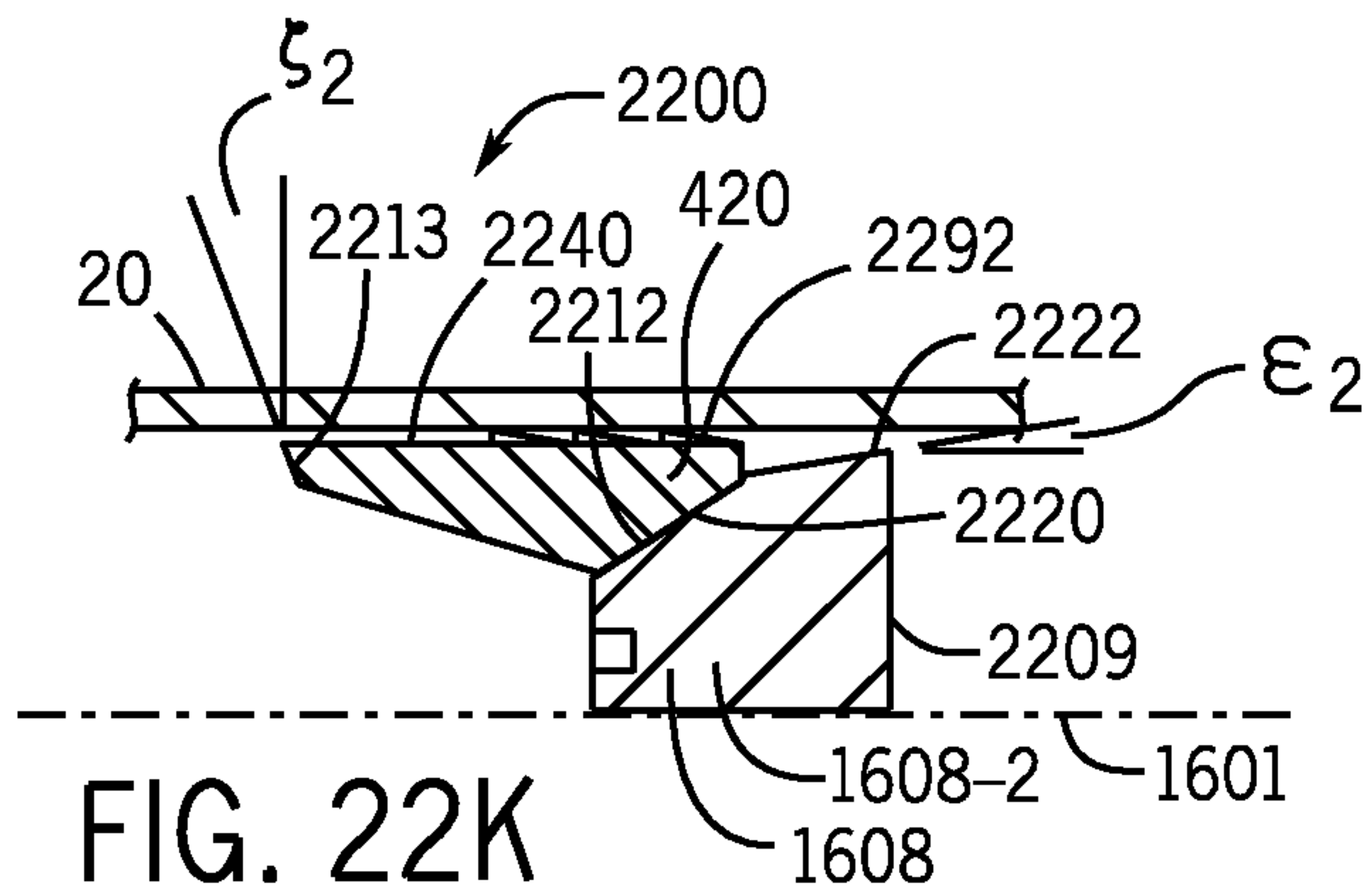
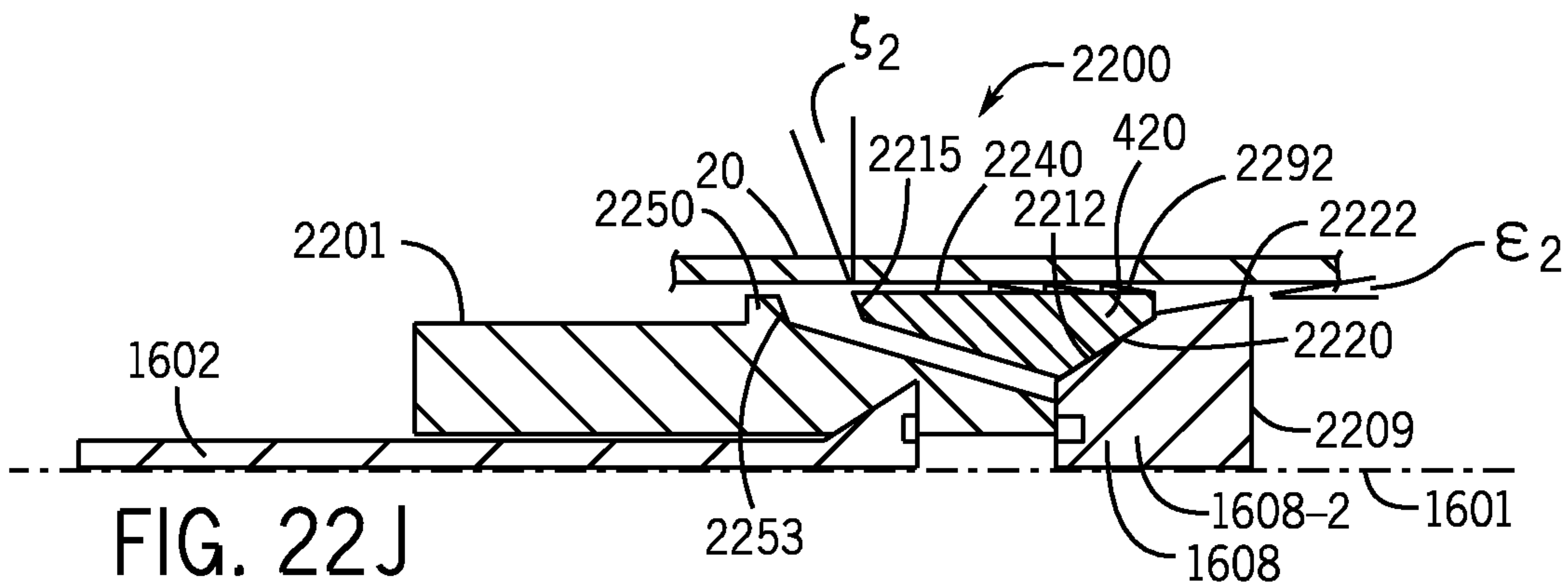
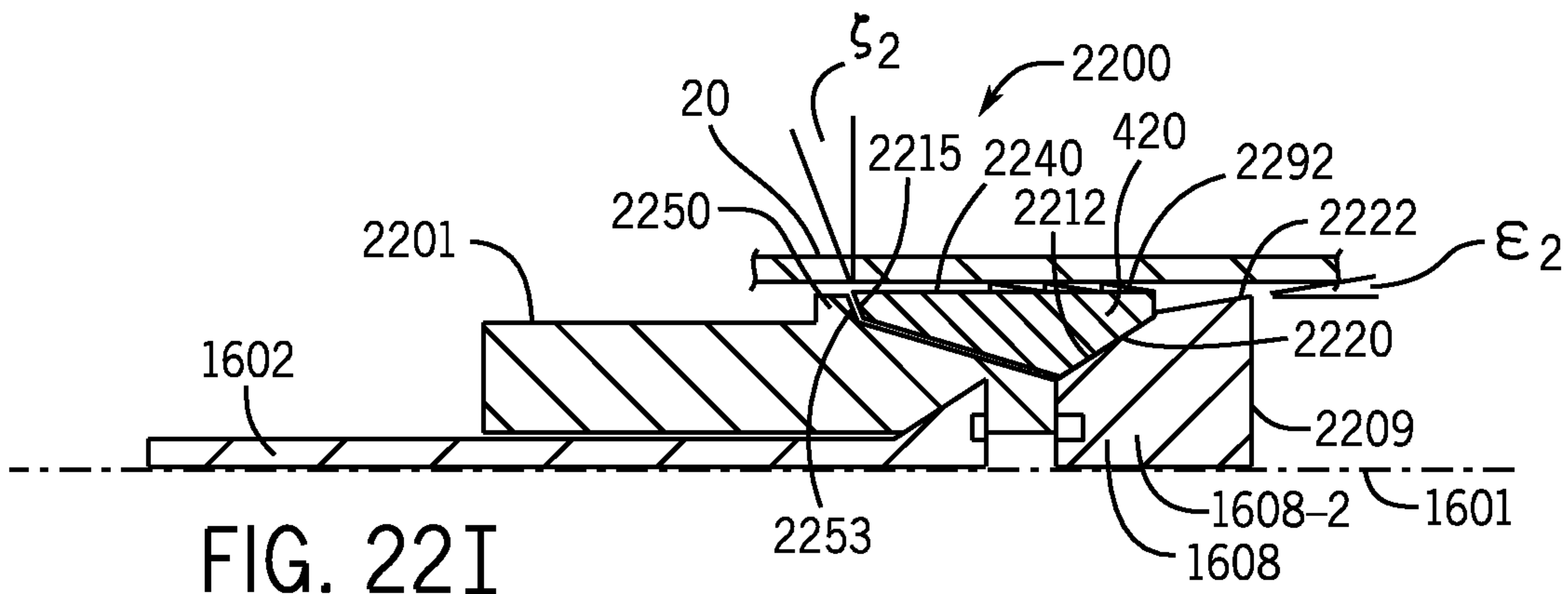
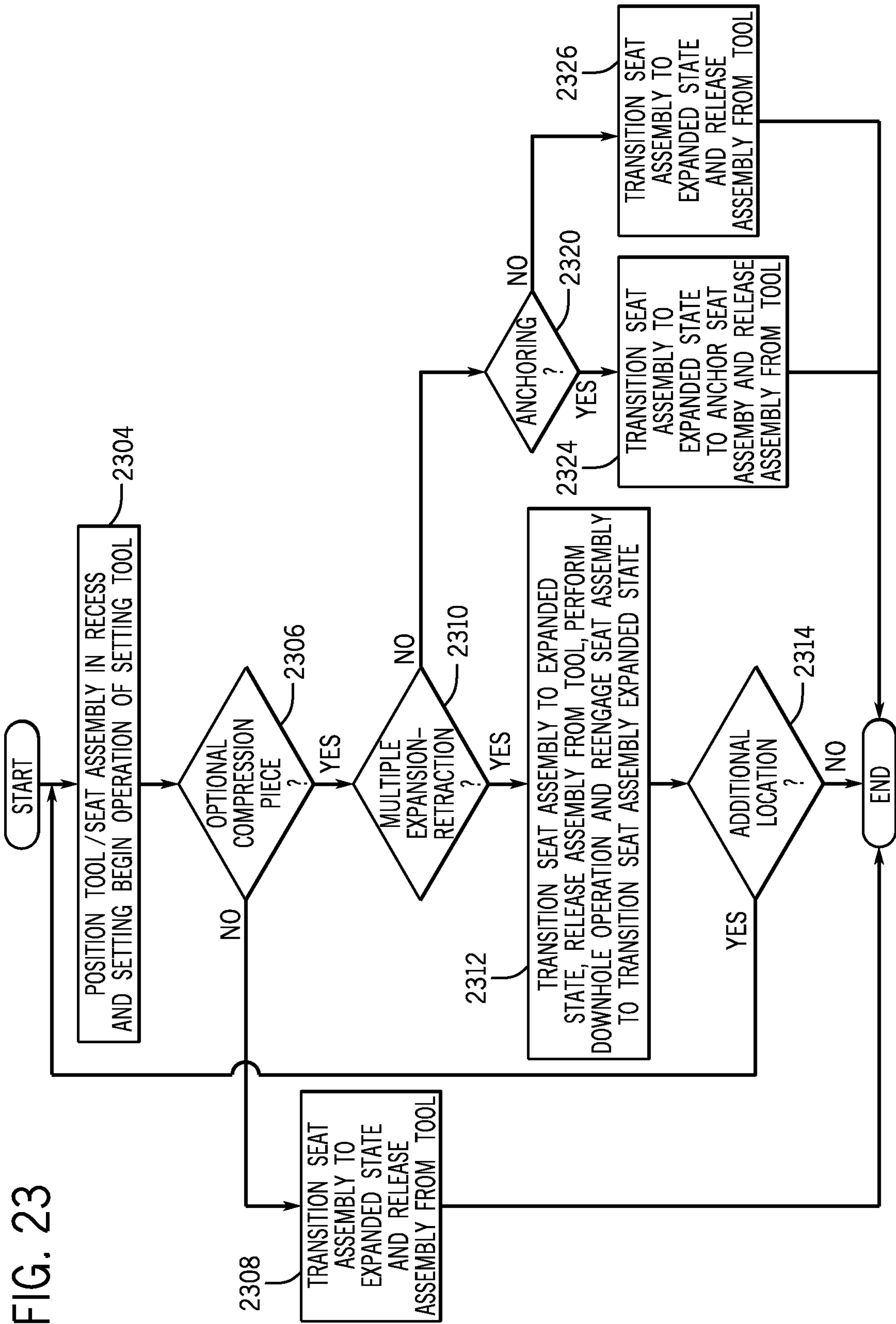
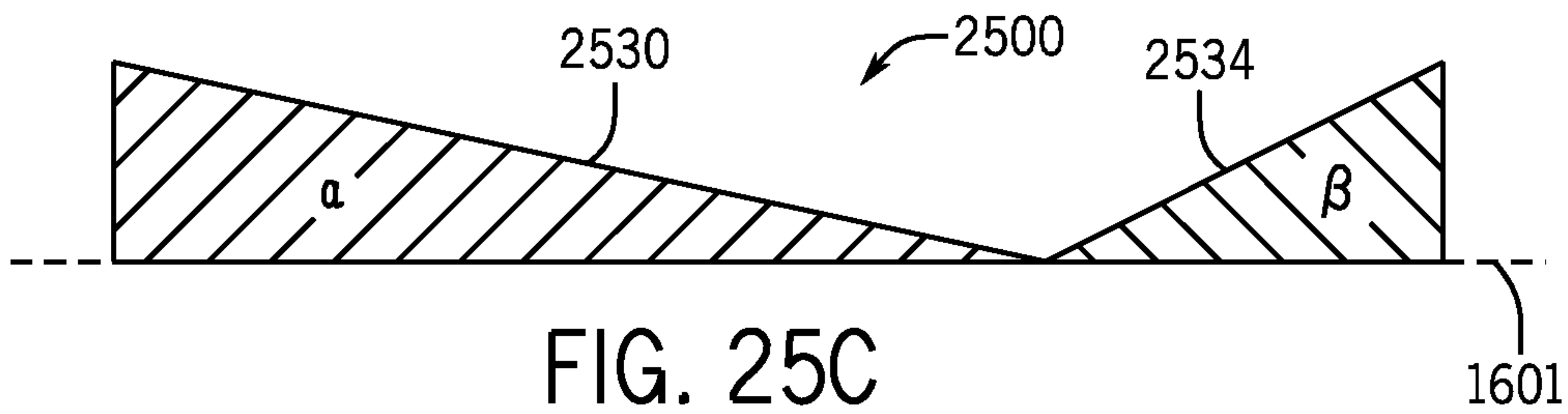
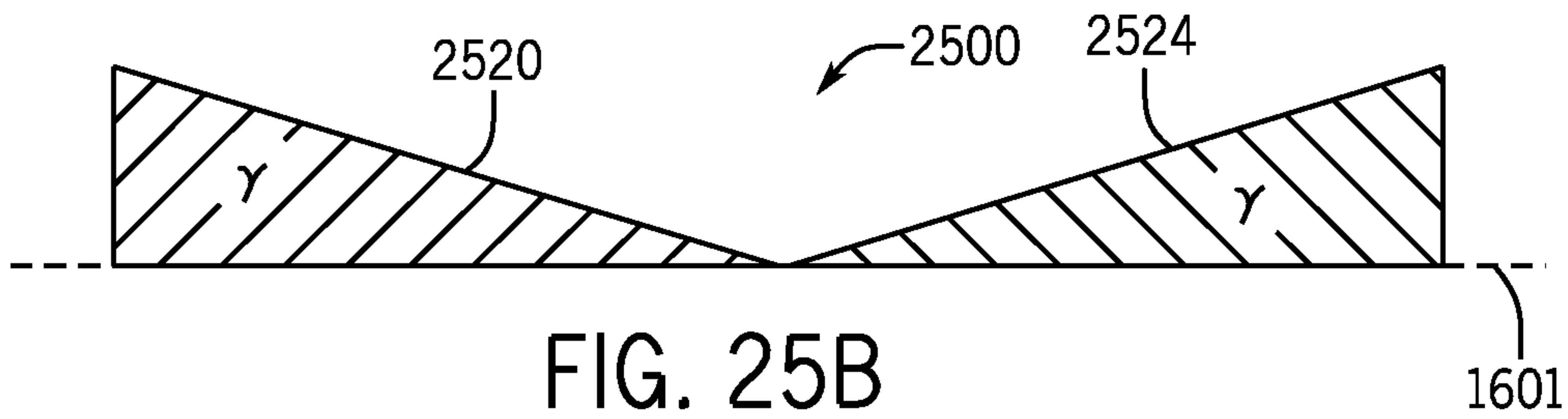
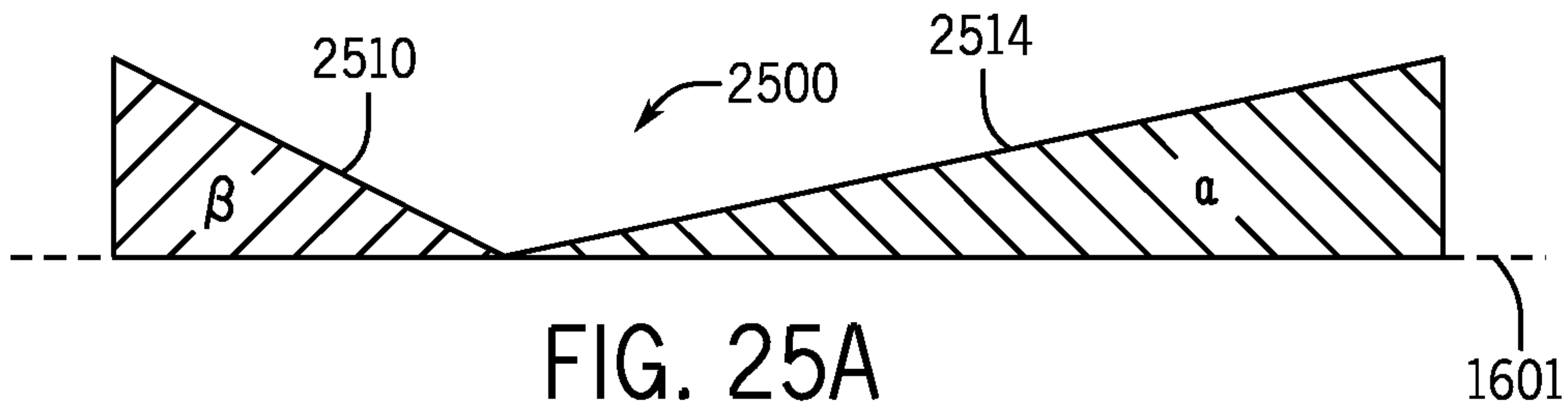
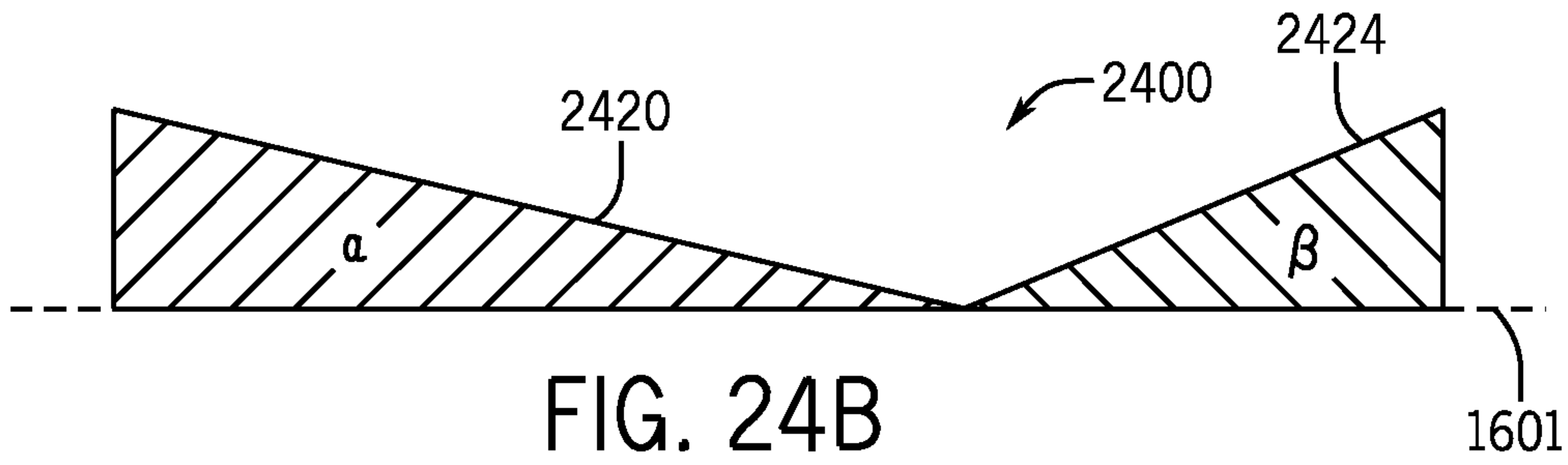
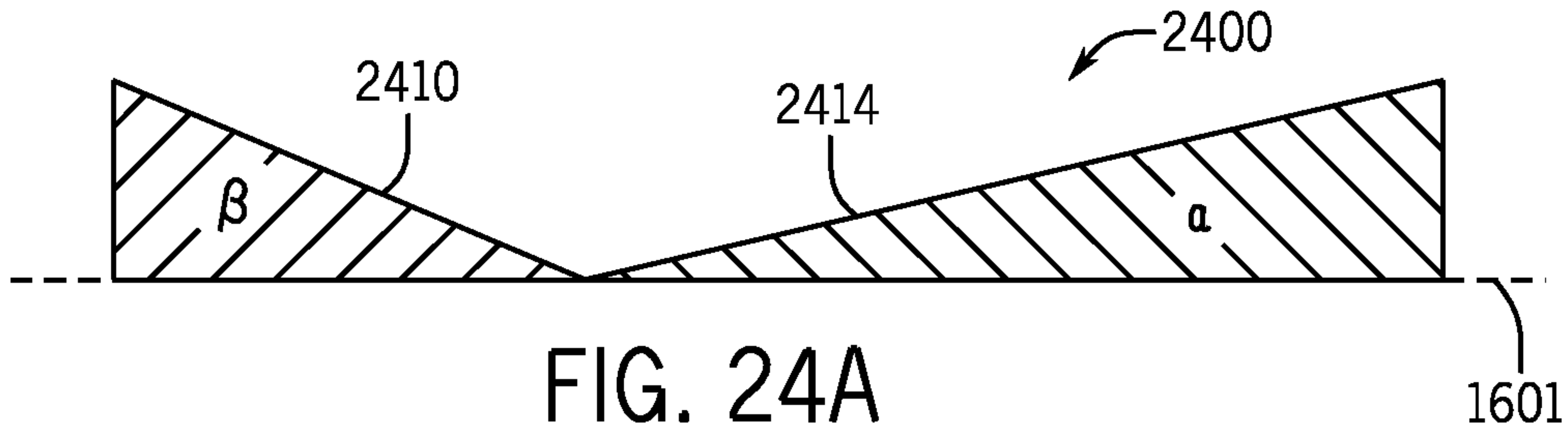


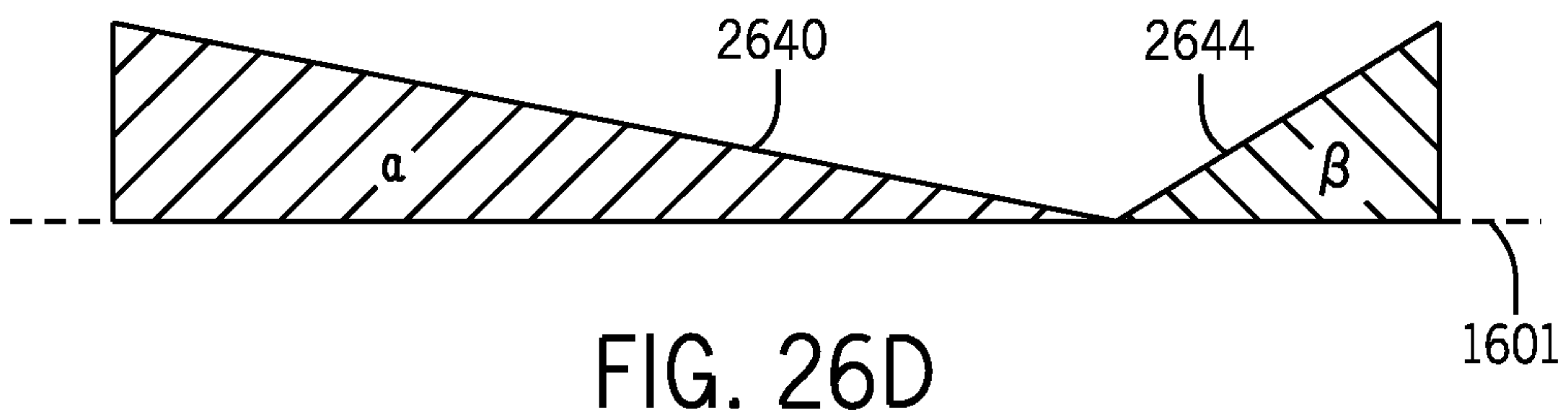
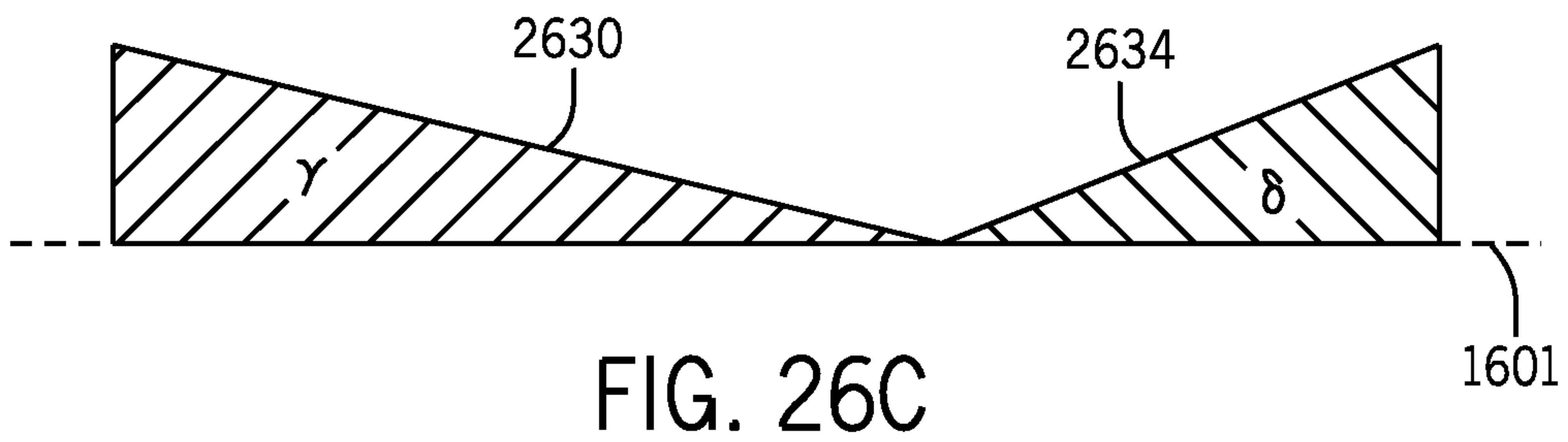
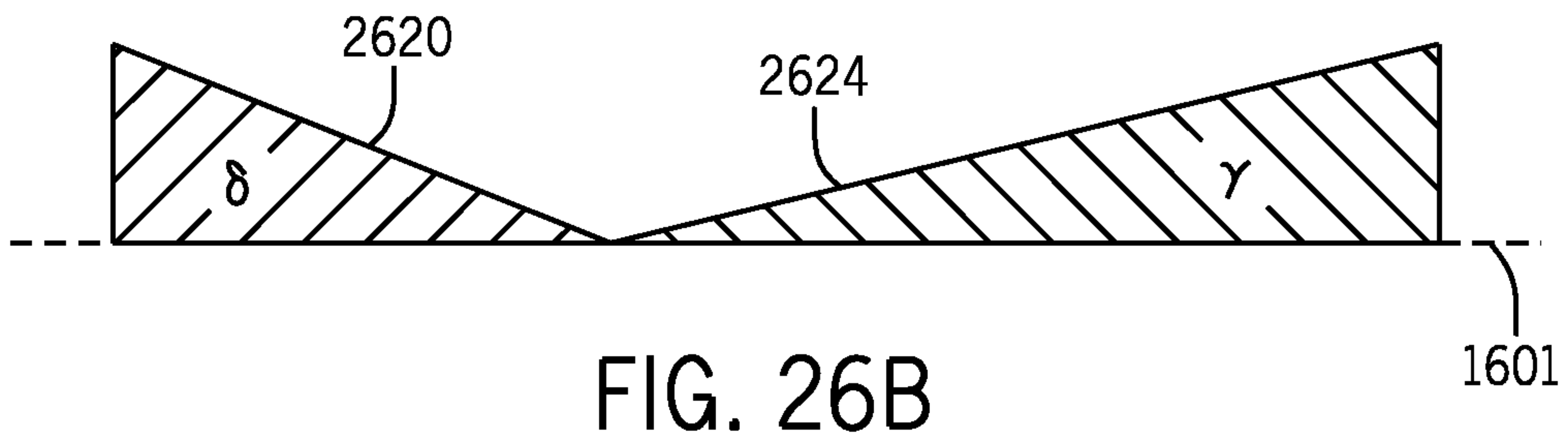
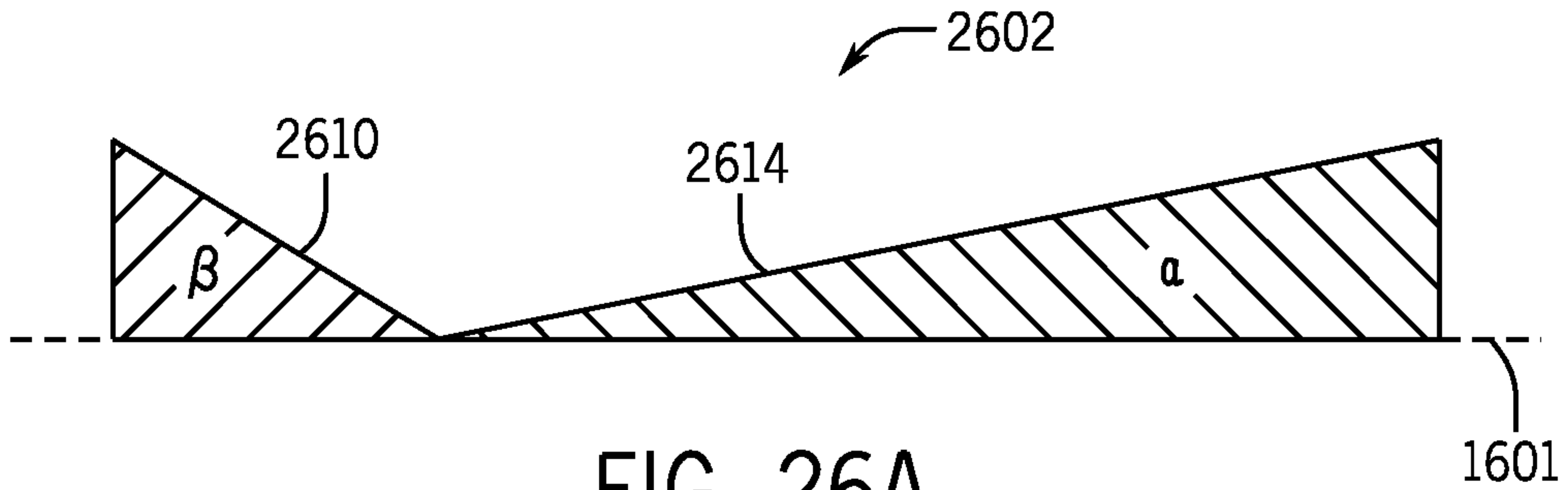
FIG. 22E











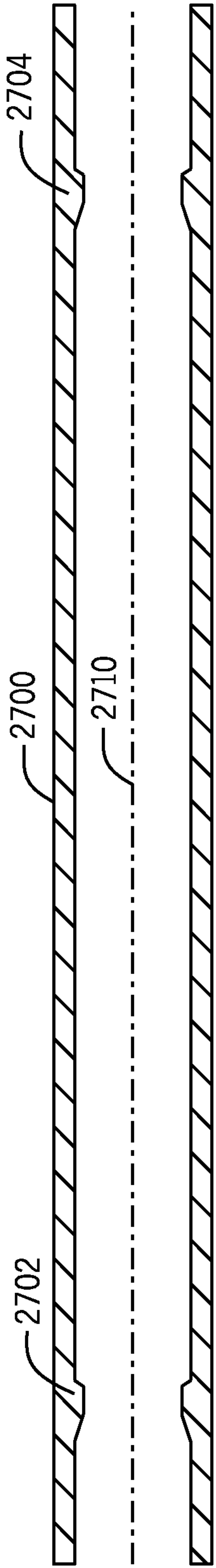


FIG. 27A

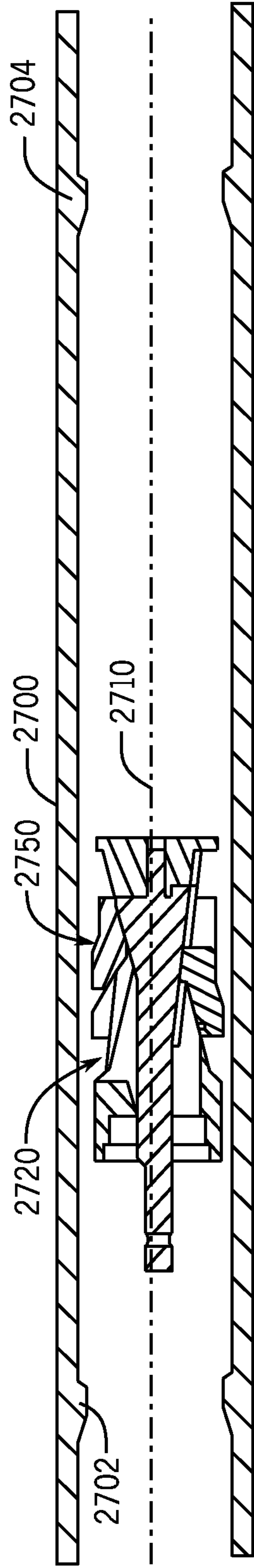


FIG. 27B

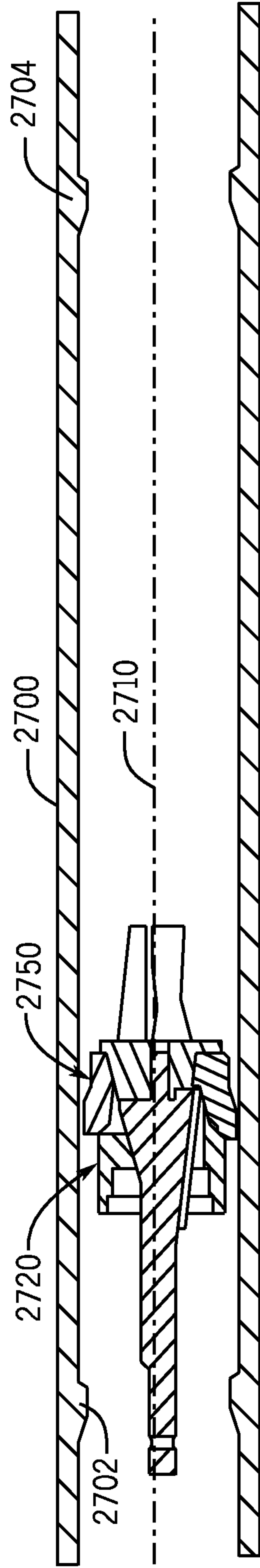


FIG. 27C

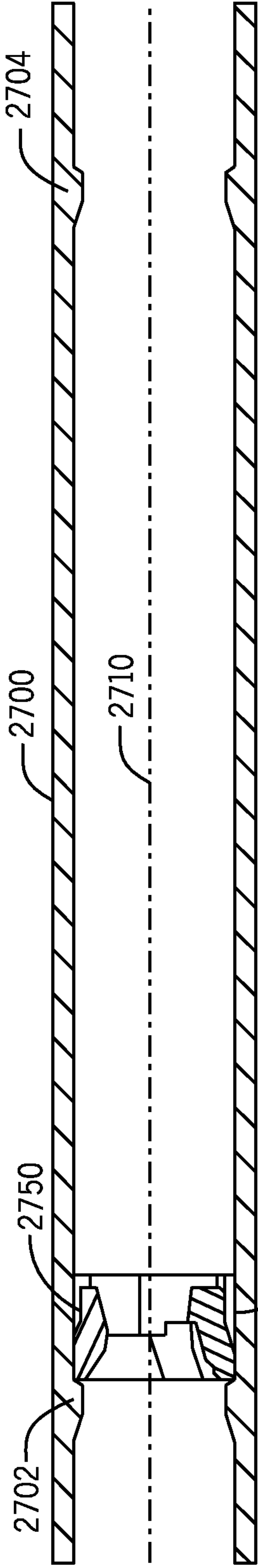


FIG. 27D

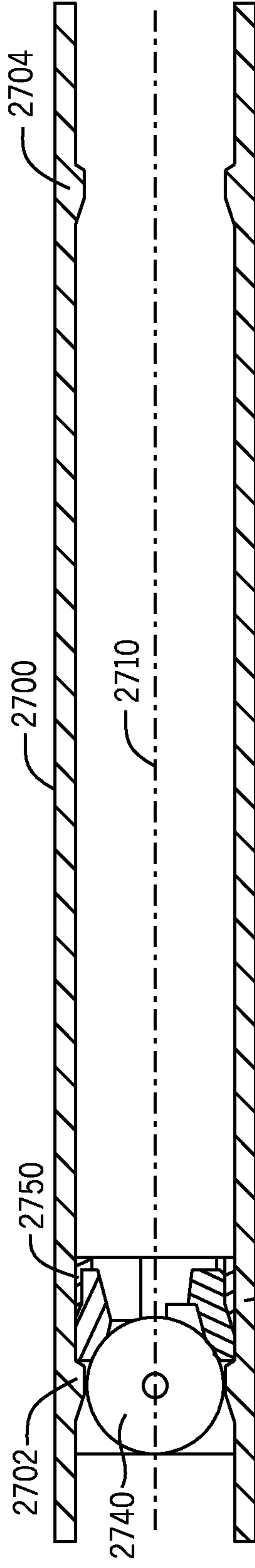


FIG. 27E

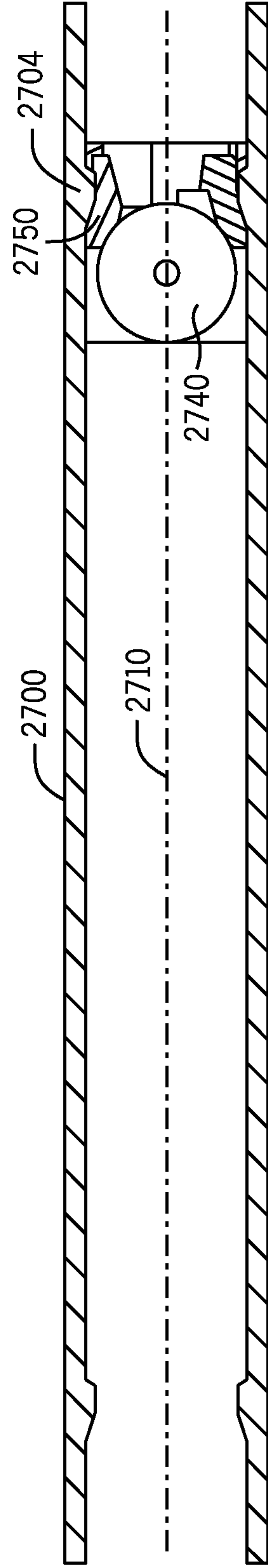


FIG. 27F

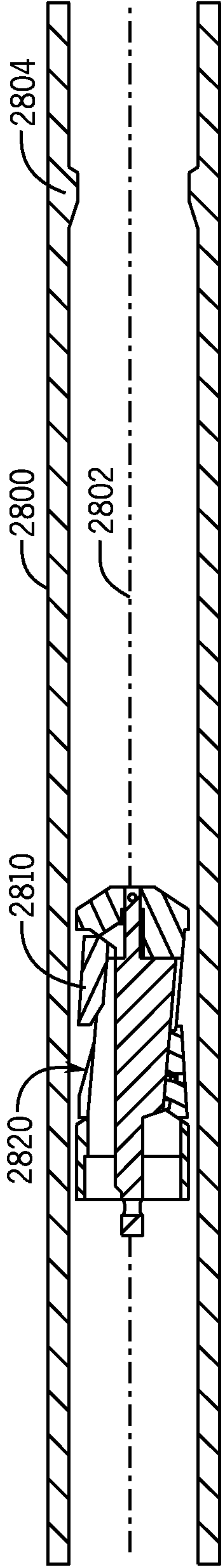


FIG. 28A

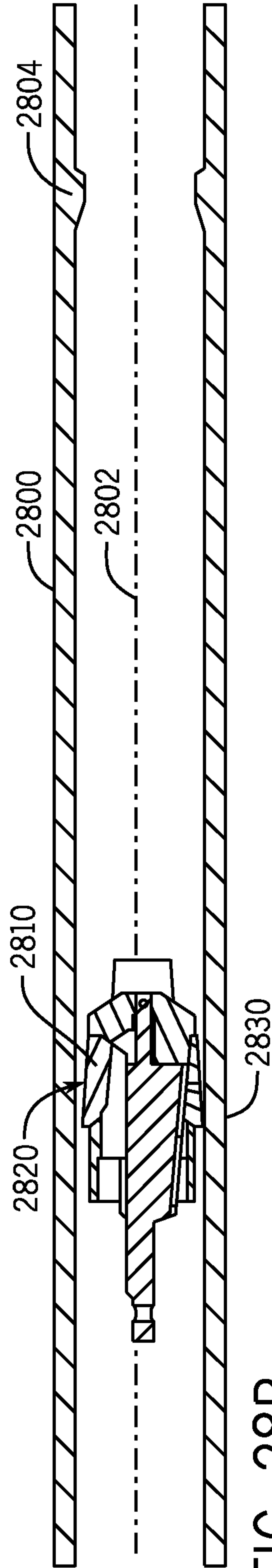


FIG. 28B

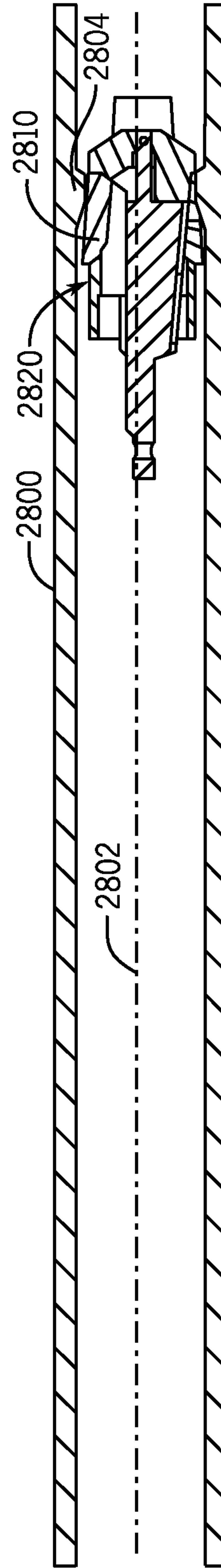


FIG. 28C

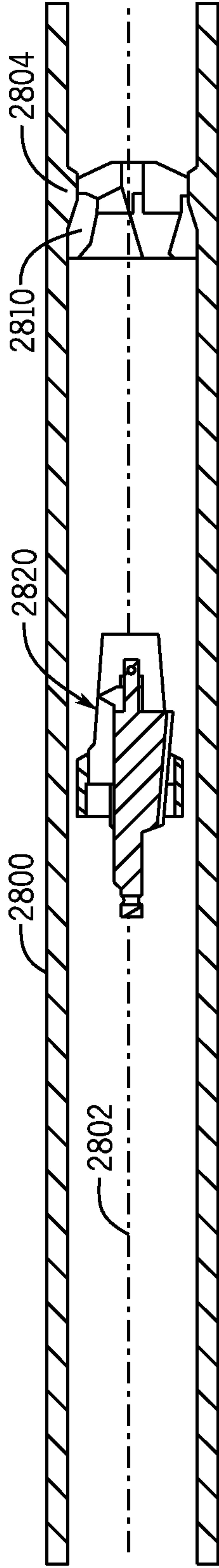


FIG. 28D

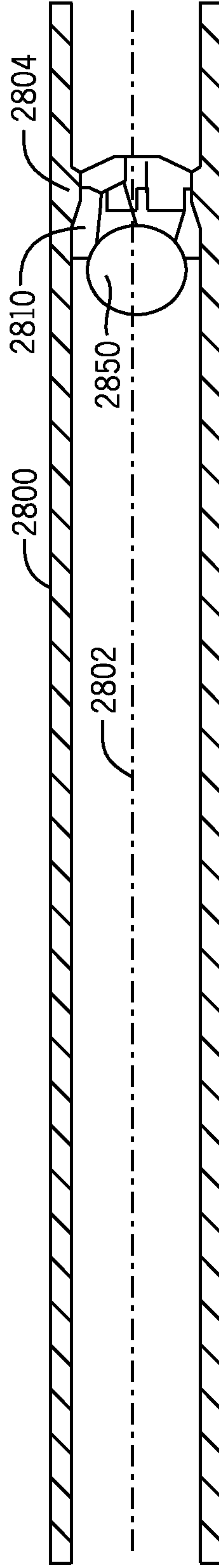


FIG. 28E

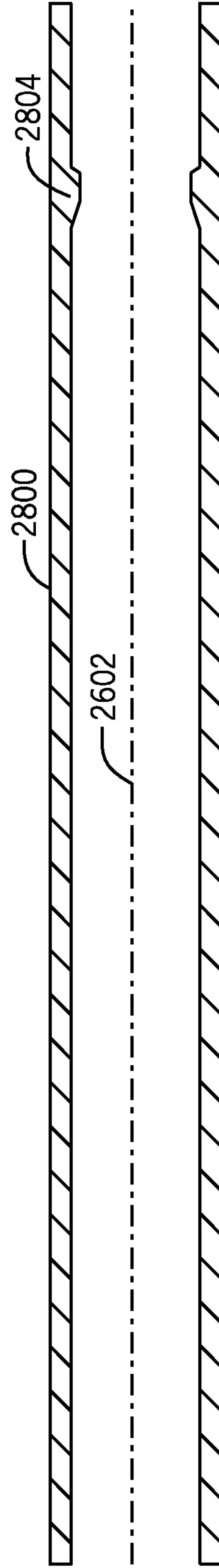
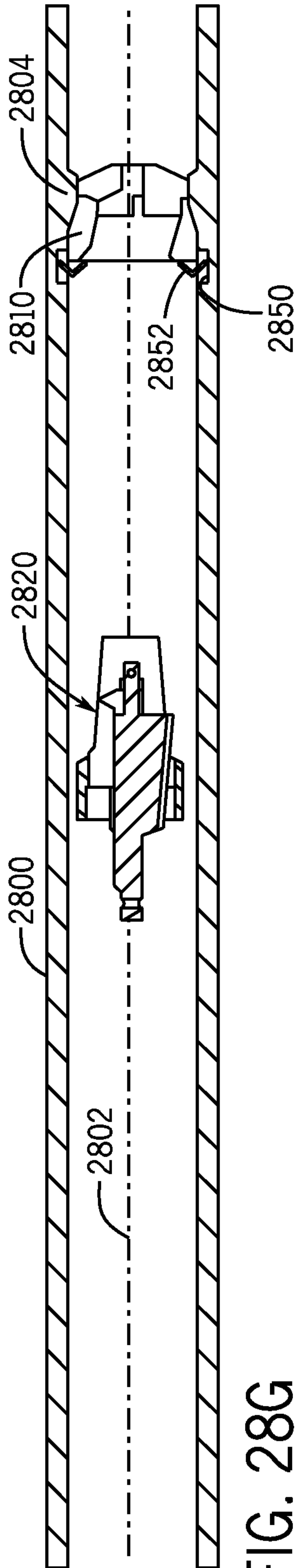


FIG. 28F



34 / 37

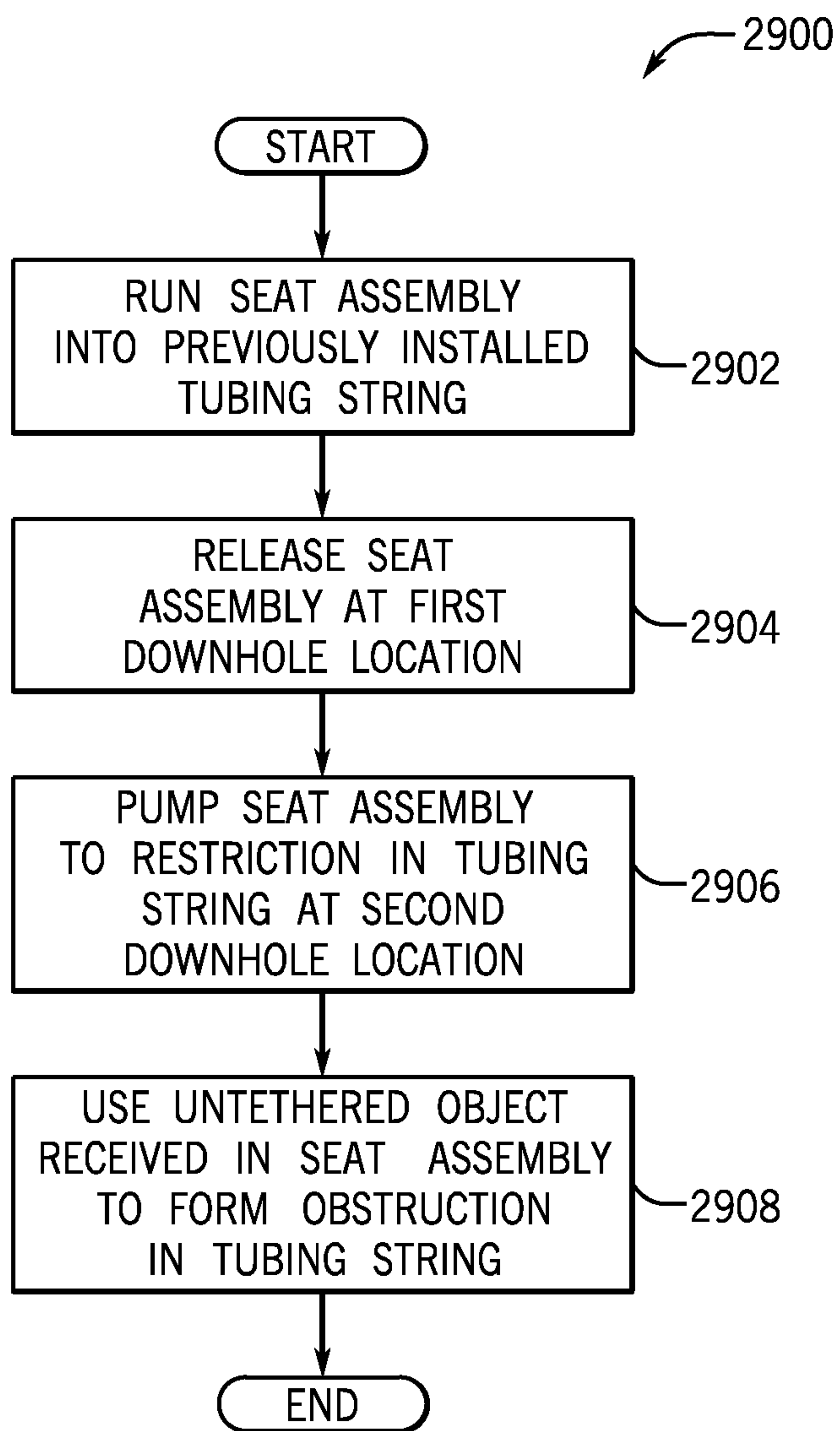


FIG. 29

35 / 37

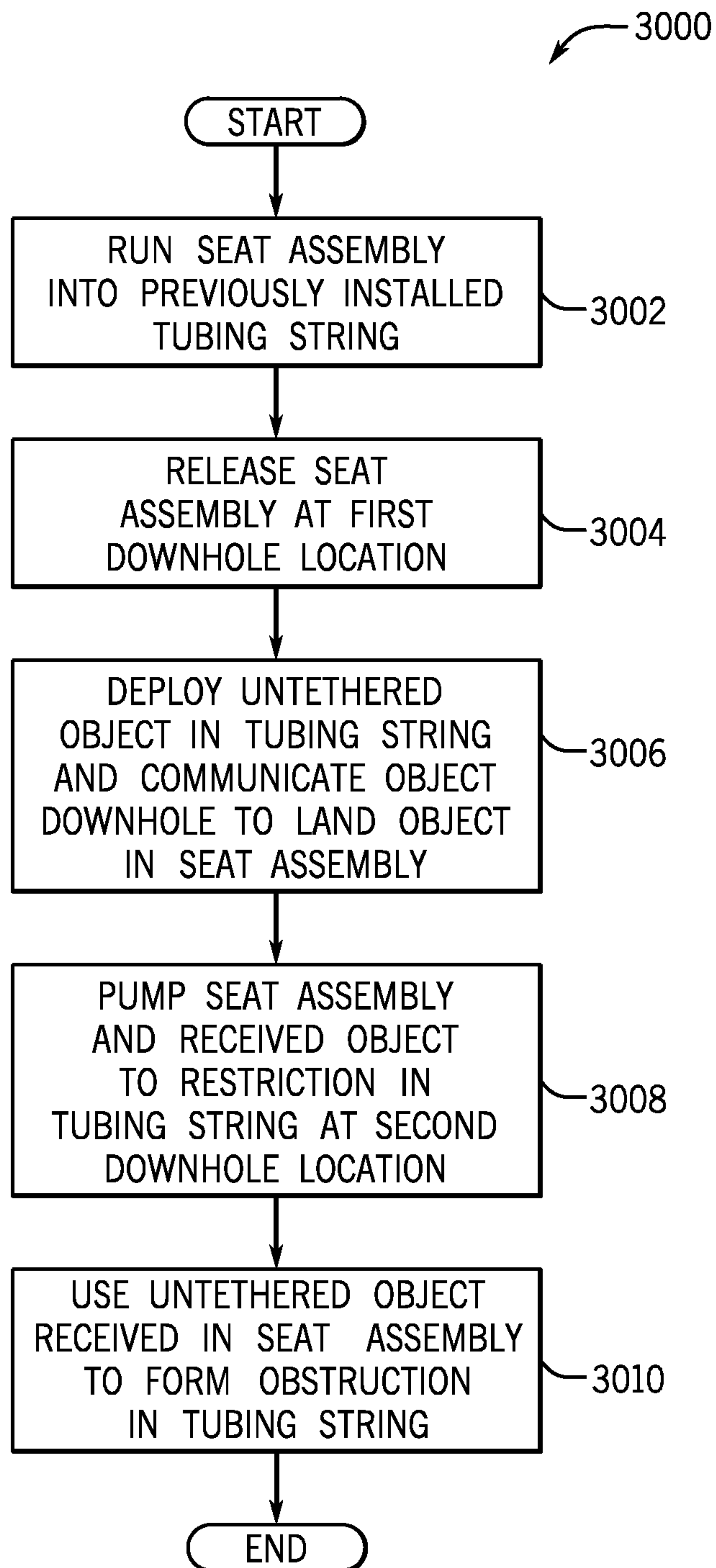


FIG. 30

36 / 37

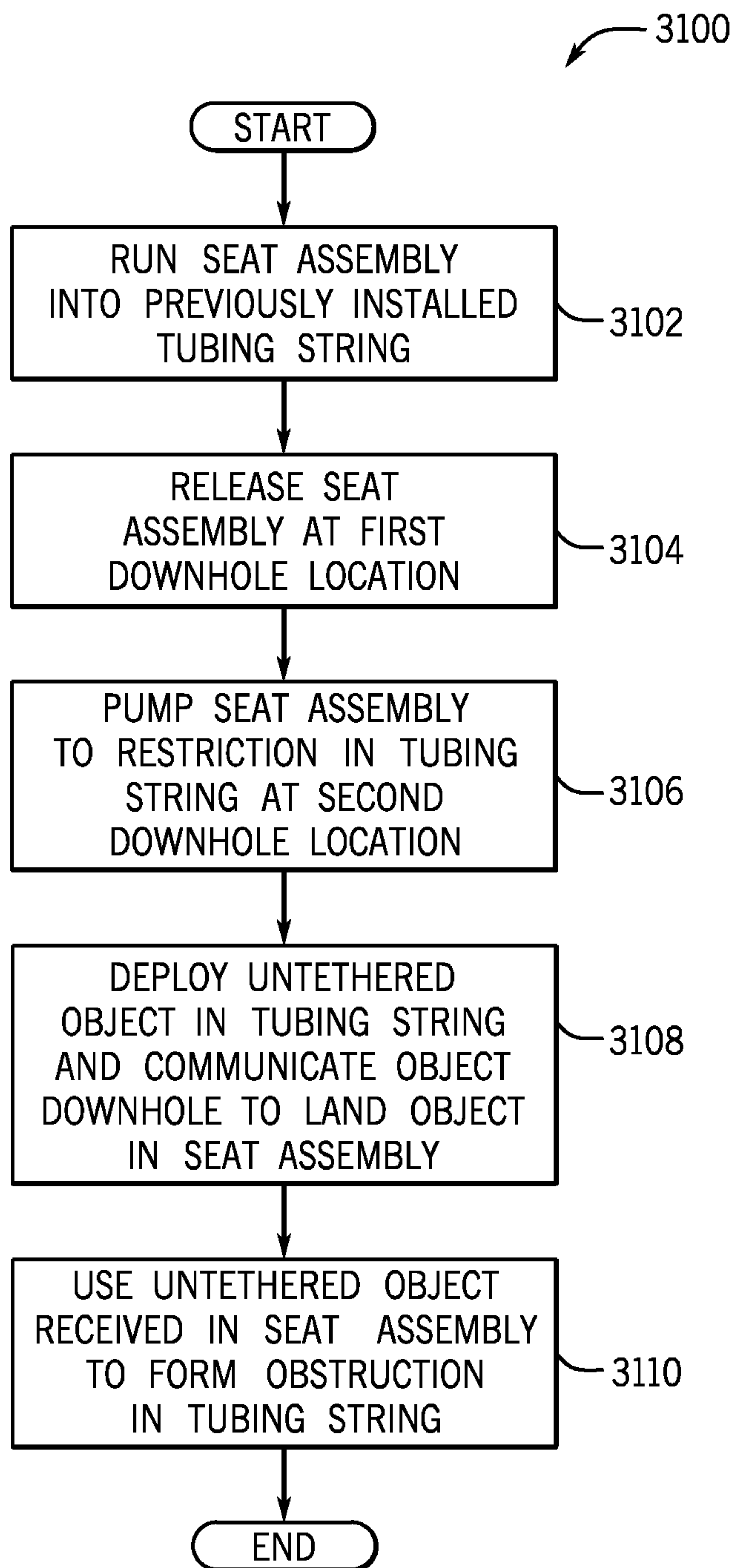


FIG. 31

37 / 37

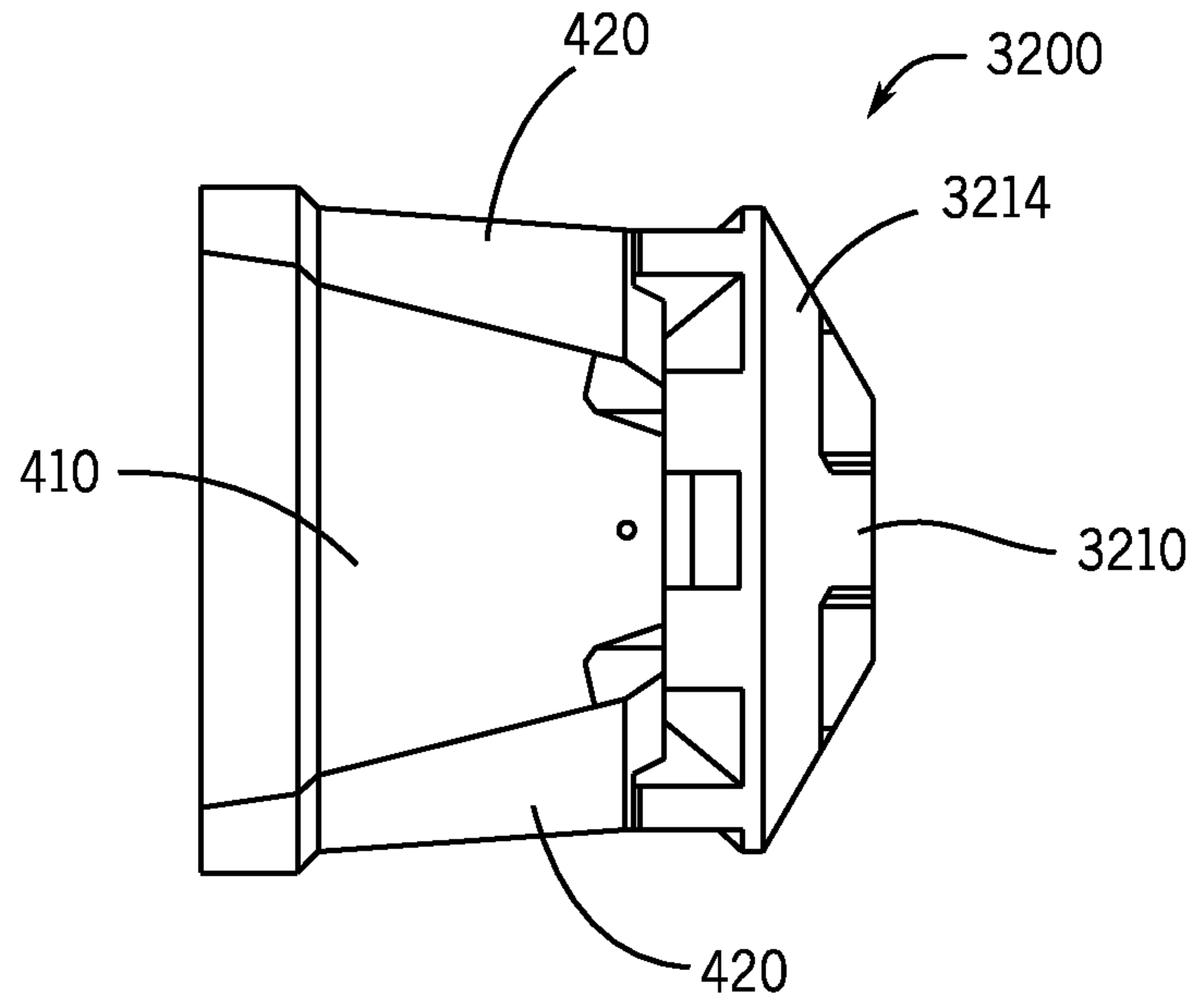


FIG. 32

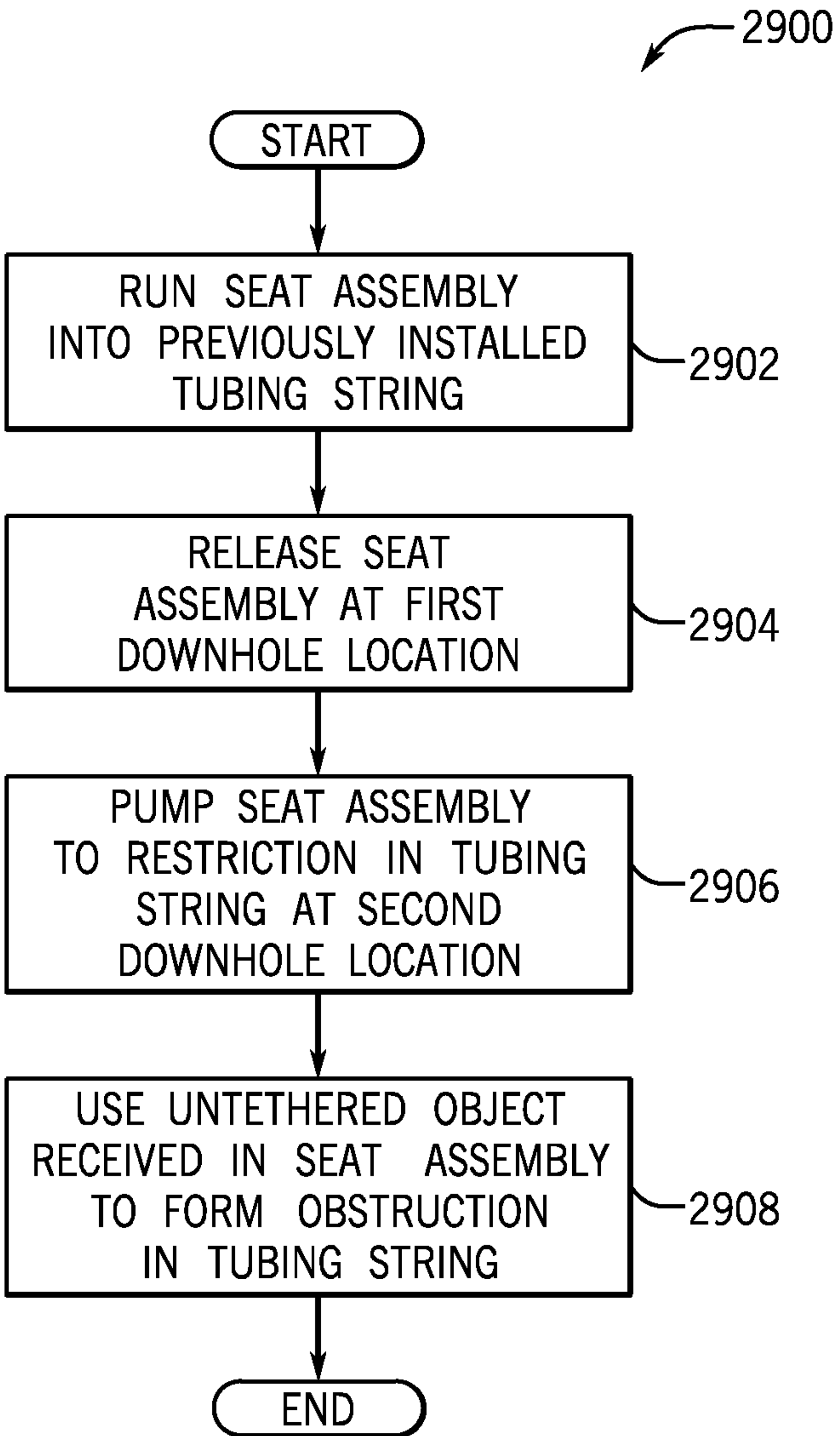


FIG. 29