



US00D721695S

(12) **United States Design Patent**  
**Birgeoglu**

(10) **Patent No.:** **US D721,695 S**

(45) **Date of Patent:** **\*\* Jan. 27, 2015**

(54) **KIOSK SYSTEM**

(75) Inventor: **Zubair Birgeoglu**, Marion, IN (US)

(73) Assignee: **Zivelo LLC**, Scottsdale, AZ (US)

(\*\*) Term: **14 Years**

(21) Appl. No.: **29/414,671**

(22) Filed: **Mar. 1, 2012**

(51) **LOC (10) Cl.** ..... **14-02**

(52) **U.S. Cl.**

USPC ..... **D14/307**

(58) **Field of Classification Search**

CPC ..... G06Q 20/18; G06Q 20/10; G06Q 20/123;  
G06Q 20/20; G06Q 30/02; G06Q 30/06;  
A47F 9/047

USPC ..... D14/302-307, 900-902; D13/163;  
D20/10; D21/332, 325, 369, 370;  
D99/28; D6/397, 466; 194/206;  
361/679.01, 679.02, 679.04, 679.21,  
361/679.57, 725

See application file for complete search history.

(56) **References Cited**

**U.S. PATENT DOCUMENTS**

D327,766 S	7/1992	Swaine et al.	
D350,566 S	9/1994	Pearson	
D357,495 S *	4/1995	Skaggs et al.	D18/12.3
D360,764 S	8/1995	Collins	
D377,012 S	12/1996	Oslund	
D377,784 S	2/1997	Wilson	
D378,082 S	2/1997	Wilson	
D389,522 S	1/1998	Hesselbach et al.	
D397,562 S	9/1998	DePottety et al.	
D403,670 S *	1/1999	Liao	D14/375
D415,330 S	10/1999	King	
D417,440 S	12/1999	Wilson	
D417,893 S	12/1999	Hunter et al.	
D436,999 S	1/2001	Cronley	
D442,560 S	5/2001	Price et al.	

D468,134 S	1/2003	Oikawa	
D473,554 S	4/2003	Landerholm et al.	
D493,816 S *	8/2004	Butler	D18/4.6
D503,120 S	3/2005	Sato et al.	
D504,892 S *	5/2005	Chen et al.	D14/375
D518,480 S	4/2006	Zheng et al.	
D585,943 S	2/2009	Pymm et al.	
D587,296 S *	2/2009	Kuramochi	D18/4.5
D587,700 S	3/2009	Corti et al.	
D590,387 S	4/2009	Chen	
D594,068 S	6/2009	Hsu	
D605,189 S	12/2009	Kuroda	
D621,513 S	8/2010	Cinquabre	
D627,397 S	11/2010	Horn et al.	
D637,595 S	5/2011	Mizusugi	
D639,800 S	6/2011	Magruder	
D646,269 S	10/2011	Crick, Jr. et al.	
D648,818 S	11/2011	Zalar	
D653,835 S *	2/2012	Strempack et al.	D99/43
D661,124 S	6/2012	Curbun et al.	
D661,291 S	6/2012	Renukanand et al.	
D661,292 S	6/2012	Kuroda et al.	

(Continued)

*Primary Examiner* — Austin Murphy

(74) *Attorney, Agent, or Firm* — Mintz Levin Cohn Ferris  
Glovsky and Popeo, P.C.

(57) **CLAIM**

The ornamental design for a kiosk system, as shown and described.

**DESCRIPTION**

FIG. 1 is a top, front, and right side perspective of a kiosk system embodying my new design.

FIG. 2 is a front view thereof;

FIG. 3 is a back thereof;

FIG. 4 is a right side view thereof;

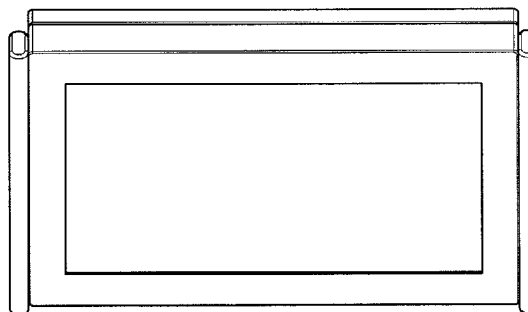
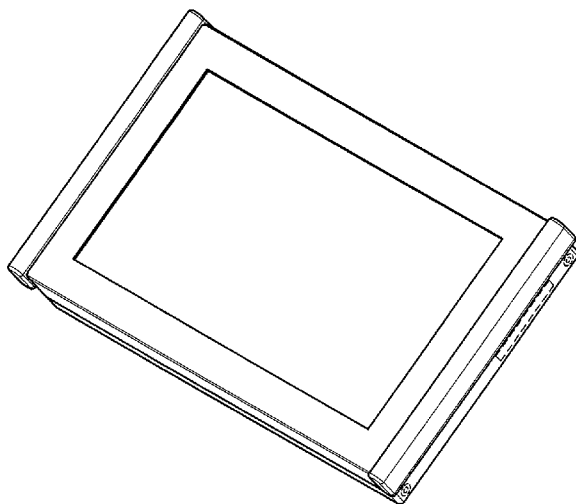
FIG. 5 is a left side view thereof;

FIG. 6 is a bottom view thereof; and,

FIG. 7 is a top view thereof.

Shown in phantom lines are grill features of the kiosk system which form no part of the claimed design.

**1 Claim, 6 Drawing Sheets**



(56)

**References Cited**

U.S. PATENT DOCUMENTS

D661,293 S 6/2012 Kuroda et al.  
 D662,329 S 6/2012 Arko et al.  
 D665,555 S 8/2012 Lee et al.  
 D669,464 S \* 10/2012 Birgeoglu ..... D14/307  
 D669,891 S \* 10/2012 Bowles et al. .... D14/307  
 D675,608 S \* 2/2013 Ono ..... D14/307  
 D675,610 S \* 2/2013 Ono ..... D14/307  
 D676,038 S \* 2/2013 Masuda et al. .... D14/307  
 D681,639 S \* 5/2013 Cruz et al. .... D14/385  
 D692,885 S \* 11/2013 Cruz ..... D14/385  
 D695,285 S \* 12/2013 Smith et al. .... D14/307  
 D697,062 S \* 1/2014 Nagai et al. .... D14/307

D702,675 S \* 4/2014 Jones ..... D14/307  
 D702,676 S \* 4/2014 Smith et al. .... D14/307  
 D705,213 S \* 5/2014 Smith et al. .... D14/307  
 D707,674 S 6/2014 Daniel  
 D707,676 S \* 6/2014 Azuma ..... D14/385  
 D707,677 S \* 6/2014 Azuma ..... D14/385  
 D708,459 S 7/2014 Heirakuji et al.  
 D709,952 S 7/2014 Logan et al.  
 D711,472 S 8/2014 Rotelli, III et al.  
 2002/0124271 A1 9/2002 Herrmann et al.  
 2002/0198034 A1 \* 12/2002 Wang ..... 463/12  
 2007/0143341 A1 \* 6/2007 Brownell et al. .... 707/104.1  
 2009/0289104 A1 \* 11/2009 Yoneda ..... 235/375  
 2011/0192681 A1 \* 8/2011 Johnson et al. .... 186/52

\* cited by examiner

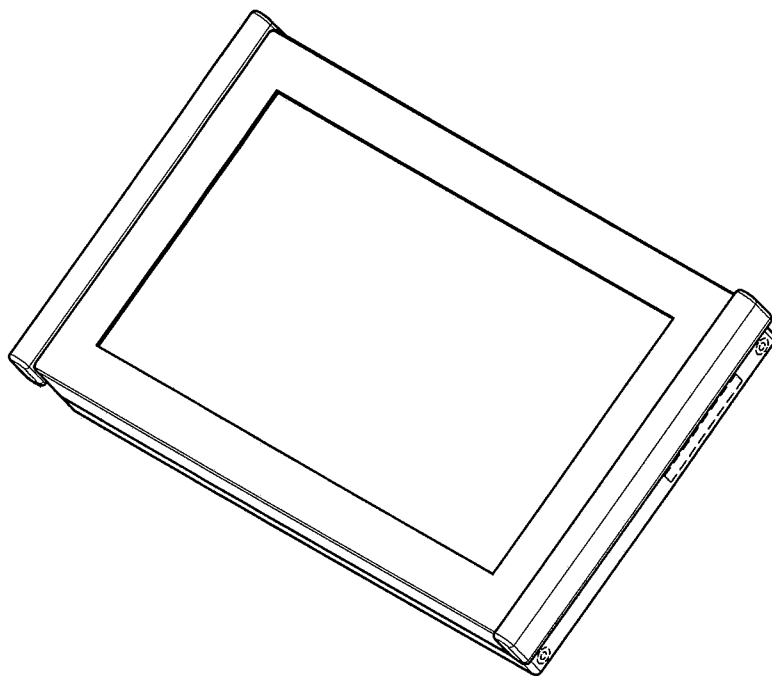


FIG. 1

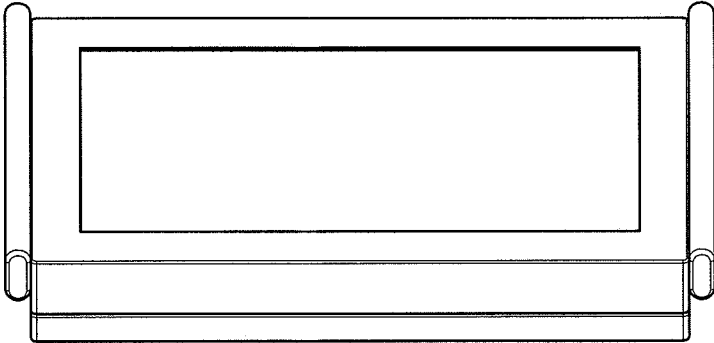


FIG. 2

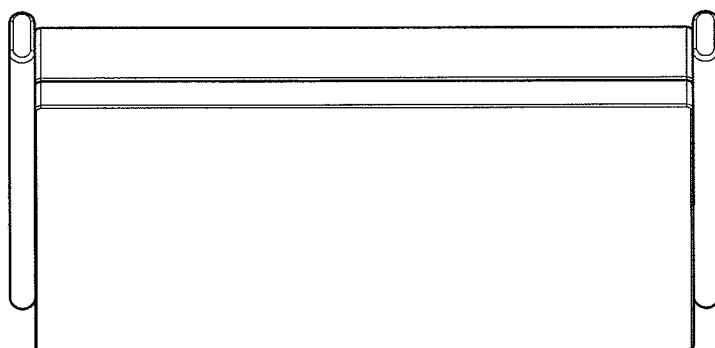


FIG. 3

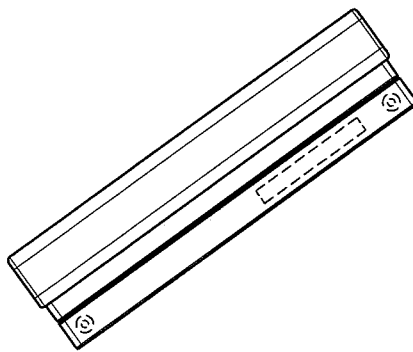


FIG. 4

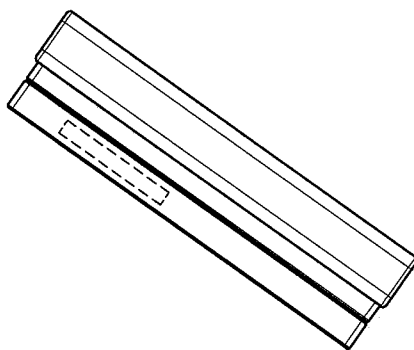


FIG. 5

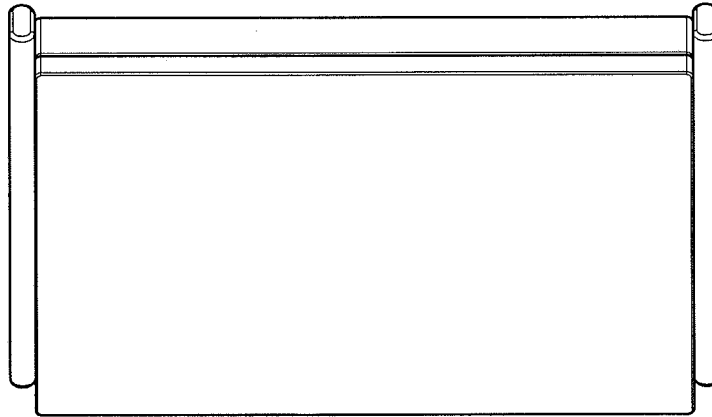


FIG. 6

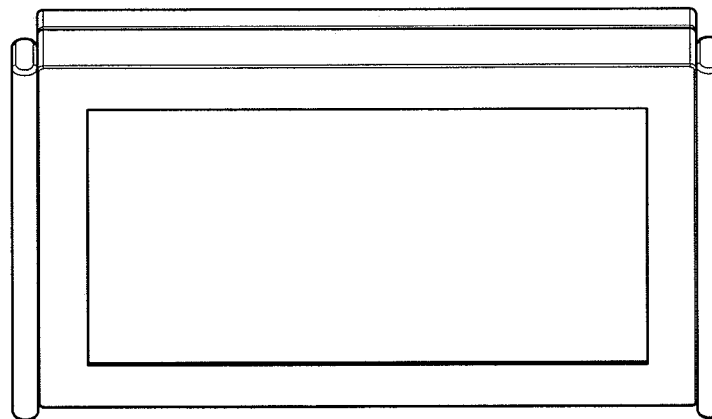


FIG. 7