



US00D786164S

(12) **United States Design Patent**  
**Henderson**

(10) **Patent No.:** **US D786,164 S**

(45) **Date of Patent:** **\*\* May 9, 2017**

- (54) **VEHICLE WHEEL FRONT FACE**
- (71) Applicant: **MOBILE HI-TECH WHEELS,**  
Rancho Dominguez, CA (US)
- (72) Inventor: **Brian Henderson,** Seal Beach, CA  
(US)
- (73) Assignee: **Mobile Hi-Tech Wheels,** Rancho  
Dominguez, CA (US)
- (\*\*) Term: **15 Years**
- (21) Appl. No.: **29/568,989**
- (22) Filed: **Jun. 22, 2016**
- (51) **LOC (10) Cl.** ..... **12-16**
- (52) **U.S. Cl.**  
USPC ..... **D12/211**
- (58) **Field of Classification Search**  
USPC ..... D12/204–213  
CPC .... B60B 7/00; B60B 7/02; B60B 7/04; B60B  
7/01; B60B 7/06; B60B 3/02; B60B 3/04;  
B60B 3/06; B60B 3/10; B60B 1/00;  
B60B 1/08; B60B 1/10; B60B 1/12  
See application file for complete search history.

D539,724 S *	4/2007	Muzzarelli .....	D12/211
D605,574 S *	12/2009	Abdallah .....	D12/211
D606,921 S *	12/2009	Thorsten .....	D12/211
D620,862 S *	8/2010	Pollmann .....	D12/209
D624,861 S *	10/2010	Zhao .....	D12/209
D649,103 S *	11/2011	Gallert .....	D12/211
D675,143 S *	1/2013	Gebert .....	D12/209
D715,720 S *	10/2014	Ender .....	D12/211
D747,254 S *	1/2016	Liu .....	D12/211
D748,558 S *	2/2016	Hans .....	D12/211
D764,367 S *	8/2016	Gallert .....	D12/209
D780,657 S *	3/2017	Welte .....	D12/211
D780,658 S *	3/2017	Welte .....	D12/211

\* cited by examiner

*Primary Examiner* — Stacia Cadmus

(74) *Attorney, Agent, or Firm* — Lewis Roca Rothgerber  
Christie LLP

(57) **CLAIM**

The ornamental design for vehicle wheel front face, as  
shown and described.

**DESCRIPTION**

FIG. 1 is a perspective view of a vehicle wheel front face  
according to my new design;

FIG. 2 is a front elevational view thereof; and,

FIG. 3 is a side elevational view thereof.

The broken lines showing the side of the wheel and the bolts  
and center cap in the central hub area are included for the  
purpose of illustrating environment and form no part of the  
claimed design.

(56) **References Cited**

**U.S. PATENT DOCUMENTS**

D417,646 S *	12/1999	Baumgartner .....	D12/211
D427,558 S *	7/2000	Neeper .....	D12/211

**1 Claim, 3 Drawing Sheets**

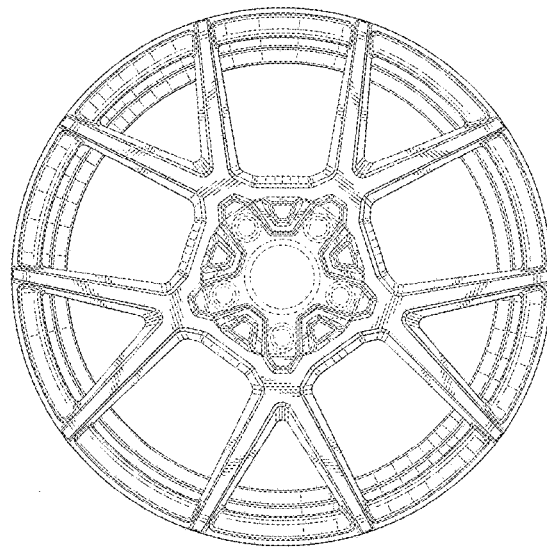
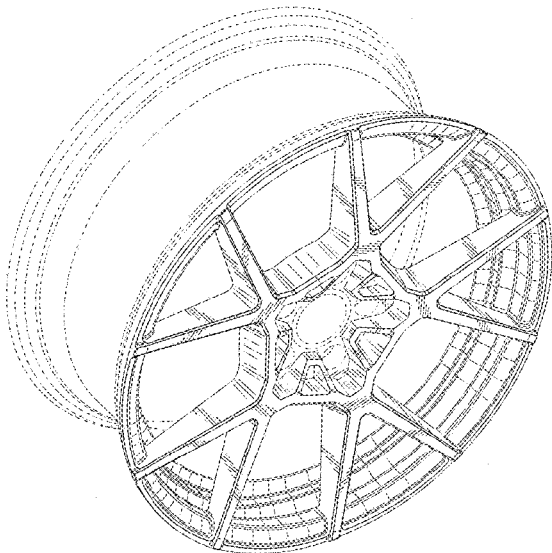


FIG. 1

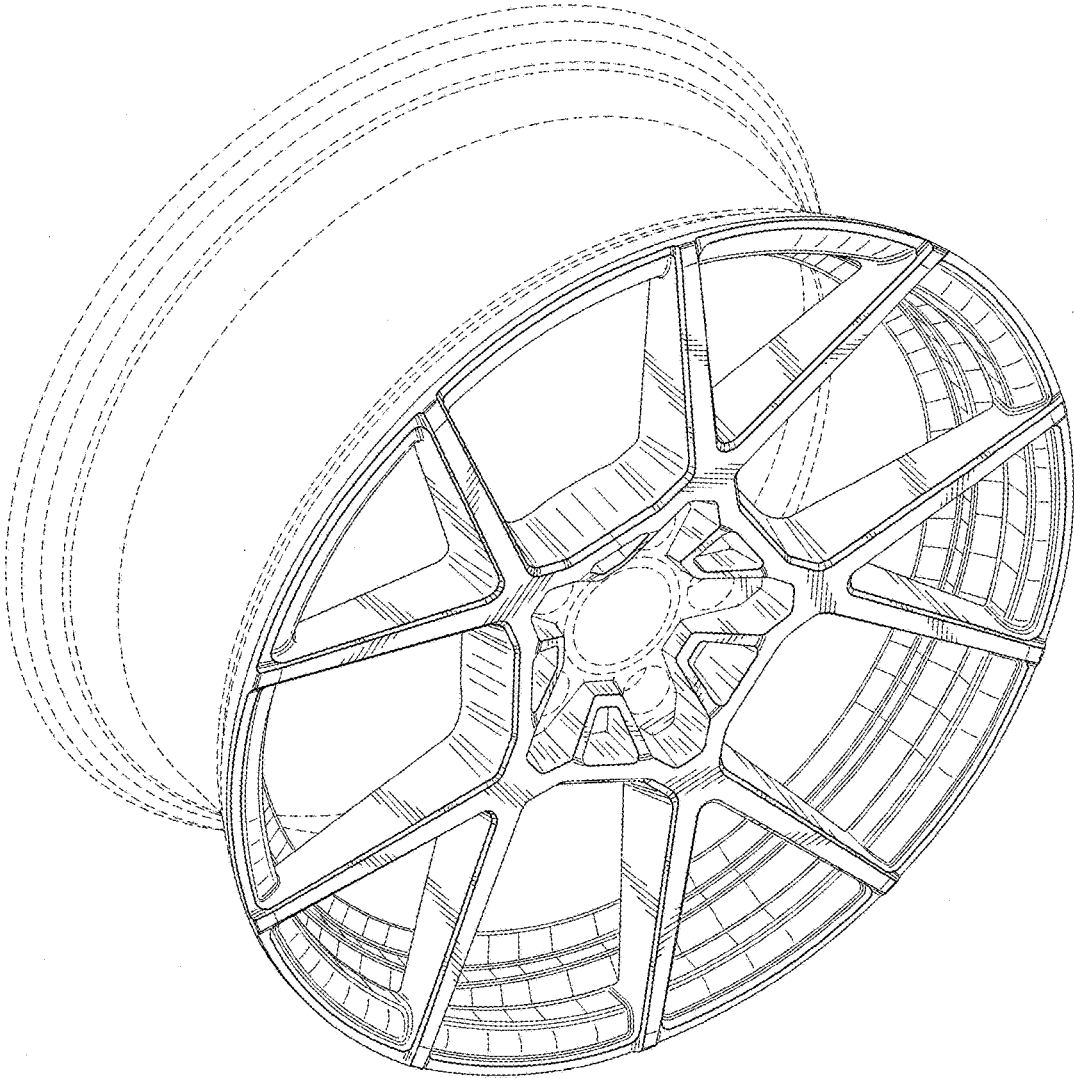


FIG. 2

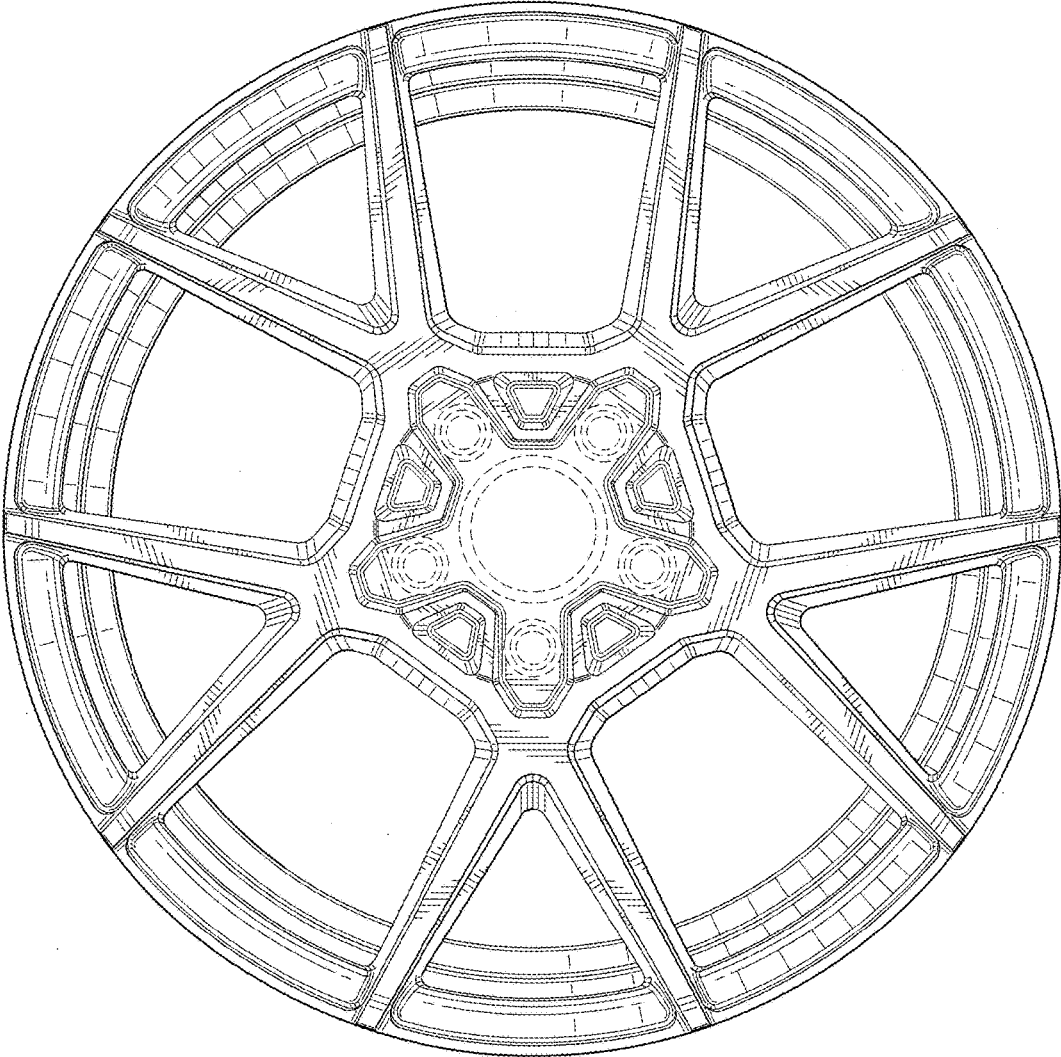


FIG. 3

