



US00D814418S

(12) **United States Design Patent**
Kawakami et al.

(10) **Patent No.:** **US D814,418 S**
(45) **Date of Patent:** **** Apr. 3, 2018**

(54) ELECTRICAL CONNECTOR	7,014,503 B1 *	3/2006	Wang	H01R 24/005 439/541.5
(71) Applicant: Hosiden Corporation , Yao-shi, Osaka (JP)	7,137,825 B2 *	11/2006	Myer	H01R 23/6873 439/579
(72) Inventors: Yuta Kawakami , Yao (JP); Takayuki Nagata , Yao (JP)	7,156,668 B1 *	1/2007	Gherardini	H01R 13/6658 439/325
(73) Assignee: HOSIDEN CORPORATION , Yao-Shi (JP)	7,632,148 B1 *	12/2009	Kawamura	H01R 13/5221 439/607.41
	9,559,467 B1 *	1/2017	Khorrami	H01R 13/62933
	2009/0197469 A1 *	8/2009	Huang	H01R 13/7033 439/620.03

(Continued)

(**) Term: **15 Years**
(21) Appl. No.: **29/581,442**

(22) Filed: **Oct. 19, 2016**

(30) **Foreign Application Priority Data**

Apr. 22, 2016 (JP) 2016-008916

(51) **LOC (11) Cl.** **13-03**

(52) **U.S. Cl.**
USPC **D13/133**

(58) **Field of Classification Search**

USPC D8/356; D13/102, 133, 137.1, 139.1,
D13/146, 147, 148, 149, 150, 151, 153,
D13/154, 156, 160, 164, 184, 187, 199
CPC H01R 13/02; H01R 13/35; H01R 13/46;
H01R 13/64; H01R 13/502; H01R
13/595; H01R 13/623; H01R 13/625;
H01R 13/648; H01R 13/658; H01R
13/6581; H01R 13/659; H01R 13/703;
H01R 4/22; H01R 27/02

See application file for complete search history.

(56) **References Cited**

U.S. PATENT DOCUMENTS

3,179,915 A *	4/1965	Klassen	H01R 24/70 439/564
D314,941 S *	2/1991	Amachi	D13/133
6,074,218 A *	6/2000	Wu	H01R 24/58 439/607.01
6,575,761 B1 *	6/2003	Regnier	H01R 9/0515 439/108

OTHER PUBLICATIONS

HiseNook 5 Kit, posted at Amazon.com, posted on Nov. 29, 2014, [online], [site visited Sep. 23, 2017]. Available from Internet, <<https://www.amazon.com/HiseNook-Waterproof-Electrical-Connector-Package/dp/B00MZVYB3O>>.*

Primary Examiner — Mary Ann Calabrese

Assistant Examiner — Catherine Ho

(74) *Attorney, Agent, or Firm* — Hankin, Hill & Clark LLP

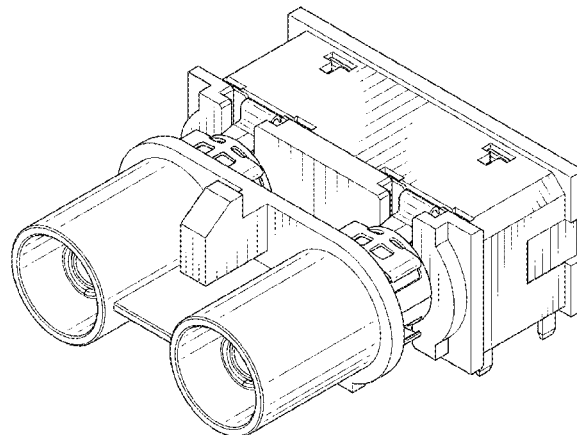
(57) **CLAIM**

The ornamental design for an electrical connector, as shown and described.

DESCRIPTION

FIG. 1 is a front, right side and top perspective view of an electrical connector, showing our new design; FIG. 2 is a front elevation view thereof; FIG. 3 is a rear elevation view thereof; FIG. 4 is a left side view thereof, the right side view being a mirror image thereof; FIG. 5 is a top plan view thereof; and, FIG. 6 is a bottom plan view thereof. The broken line portion of the drawings is included to show portions of the article that form no part of the claimed design.

1 Claim, 3 Drawing Sheets



(56)

References Cited

U.S. PATENT DOCUMENTS

2010/0291804	A1*	11/2010	Zhang	H01R 43/24	439/660
2011/0003512	A1*	1/2011	Bower	H01R 13/642	439/627
2011/0014821	A1*	1/2011	Ko	H01R 9/03	439/733.1

* cited by examiner

Fig.1

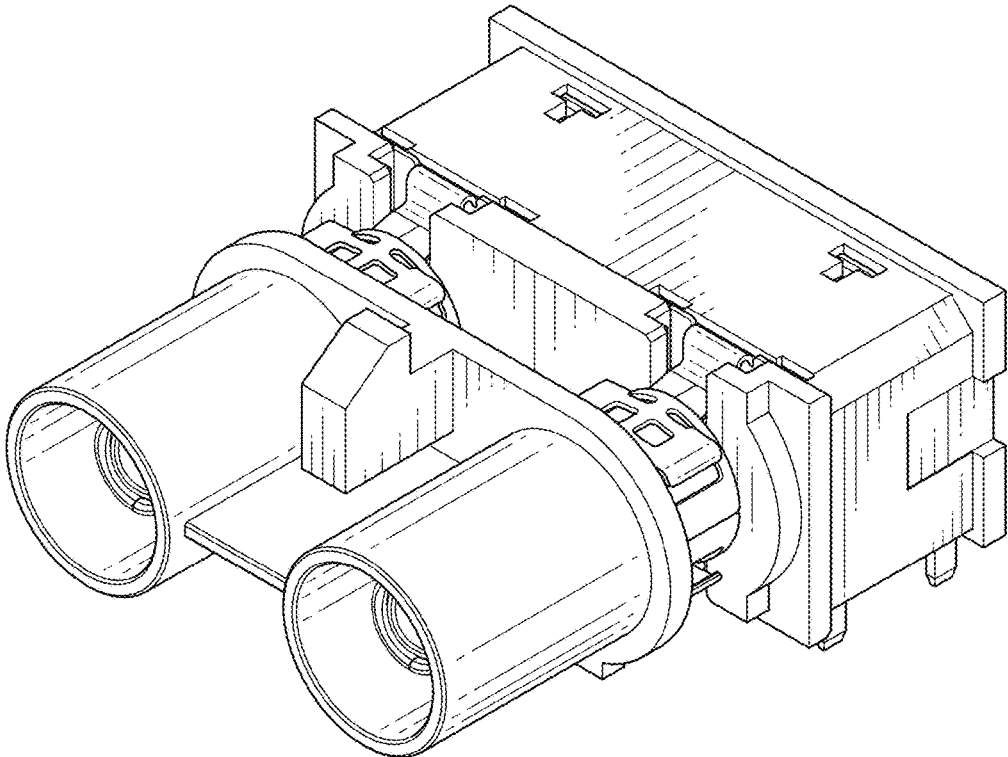


Fig.2

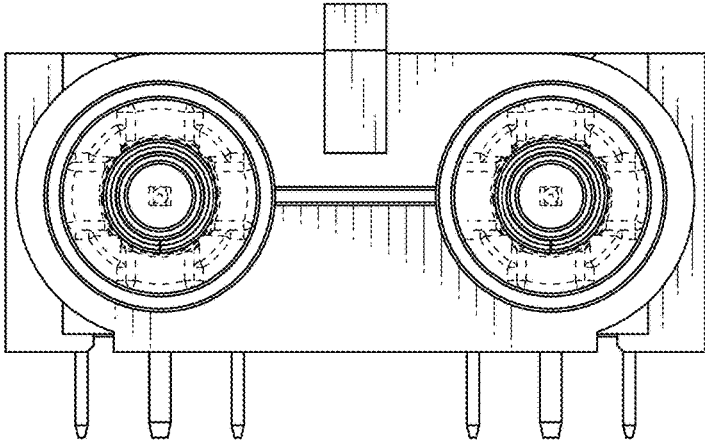


Fig.3

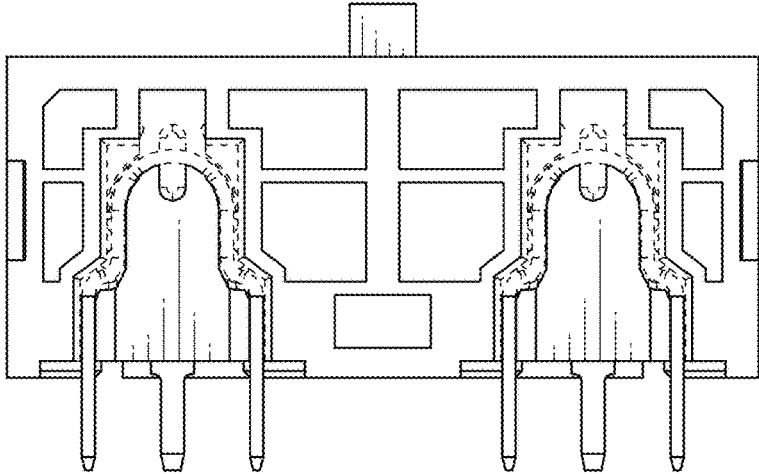


Fig.4

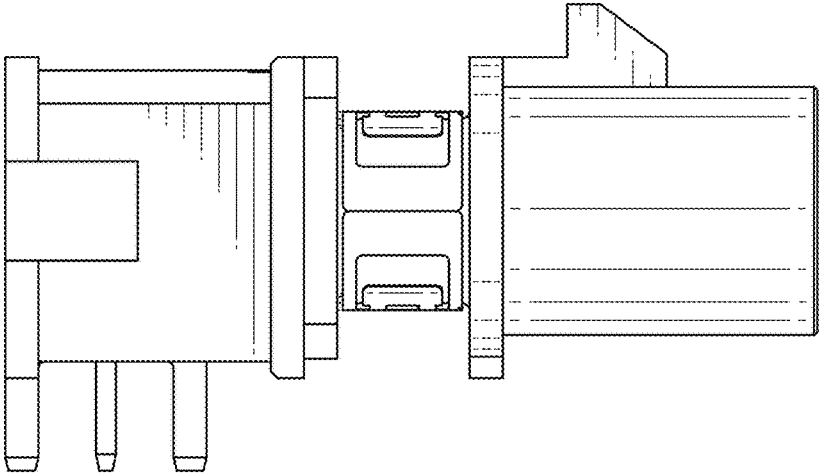


Fig.5

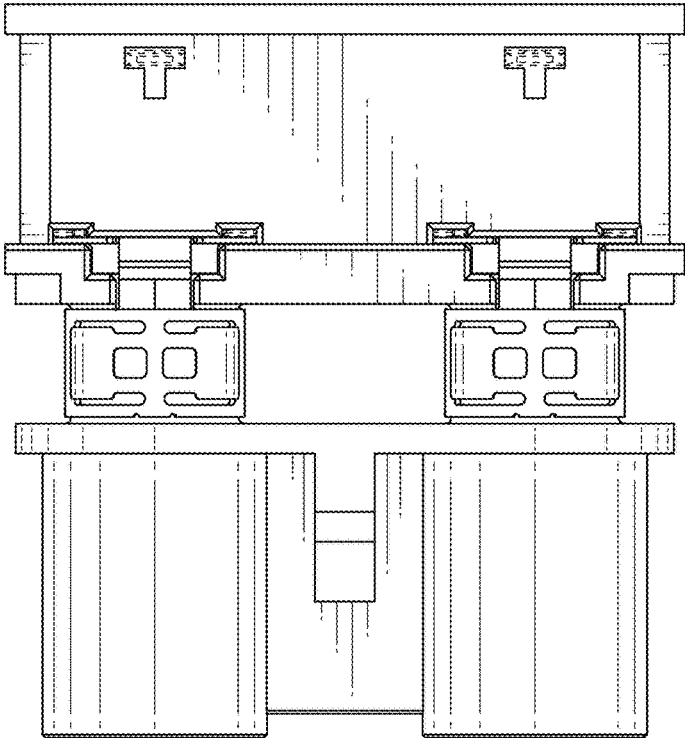


Fig.6

