

United States Patent [19]

Berry, Jr.

[11] Patent Number: **Des. 281,747**

[45] Date of Patent: **** Dec. 17, 1985**

[54] TABLE

[75] Inventor: **Richard D. Berry, Jr., Hickory, N.C.**

[73] Assignee: **Design Institute America, Inc.,
Montpelier, Ohio**

[**] Term: **14 Years**

[21] Appl. No.: **512,337**

[22] Filed: **Jul. 11, 1983**

[52] U.S. Cl. **D6/430**

[58] Field of Search **D6/429, 430, 431, 449,
D6/480, 482, 484, 487, 490; 108/102, 111, 114**

[56] **References Cited**

U.S. PATENT DOCUMENTS

D. 149,525	5/1948	Sondberg	D6/430
D. 153,739	5/1949	Wallance	D6/430
D. 205,291	7/1966	Klein et al.	D6/430
D. 252,965	9/1979	Petersen	D6/430
D. 254,763	4/1980	Crespi	D6/430

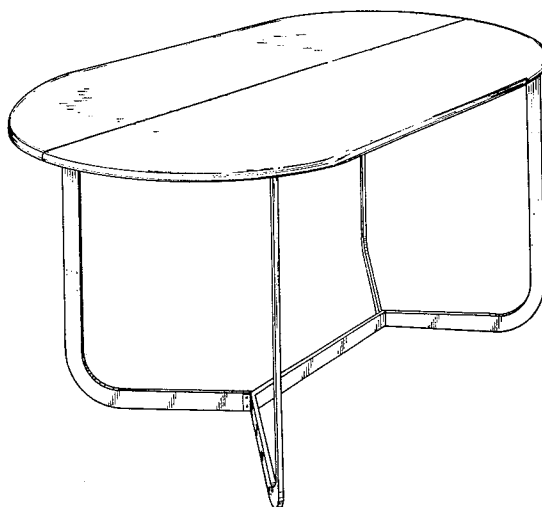
Primary Examiner—Bruce W. Dunkins
Attorney, Agent, or Firm—Fraser & Clemens

[57] **CLAIM**

The ornamental design for a table, as shown.

DESCRIPTION

FIG. 1 is a perspective view of a table embodying my new design;
FIG. 2 is a top plan view thereof;
FIG. 3 is a front elevational view thereof; and
FIG. 4 is a side elevational view thereof.



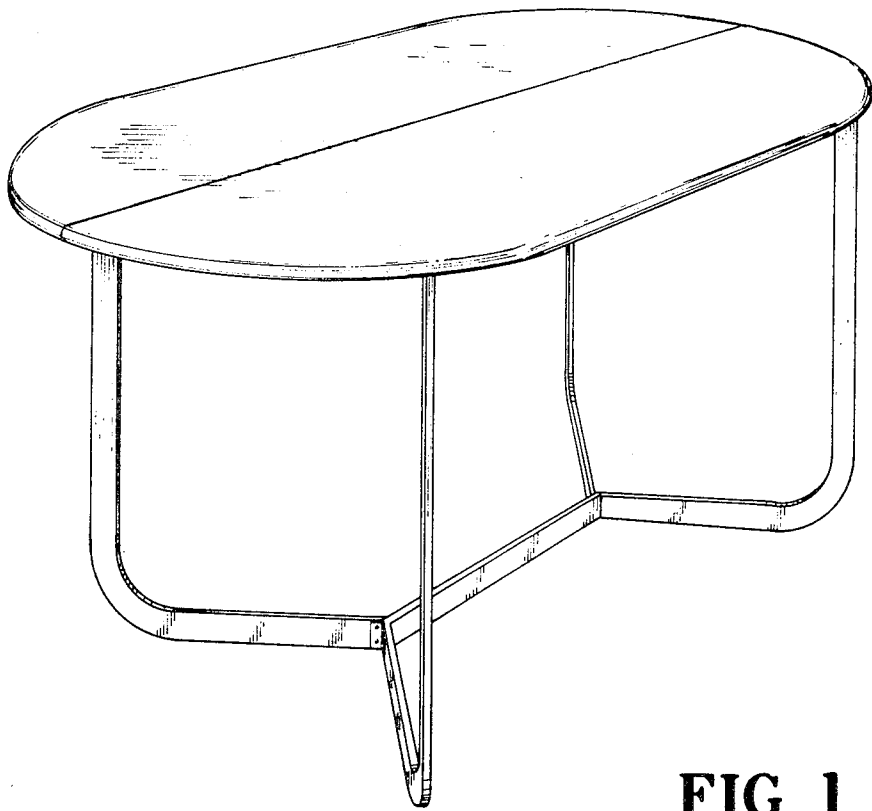


FIG. 1

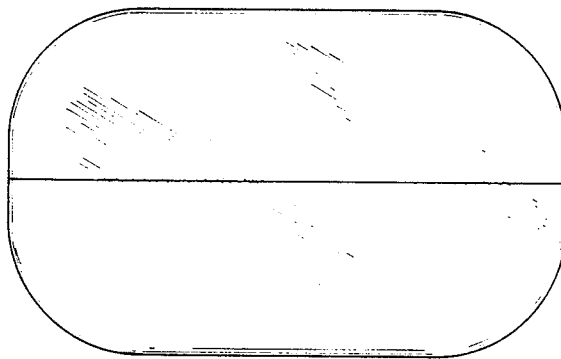


FIG. 2

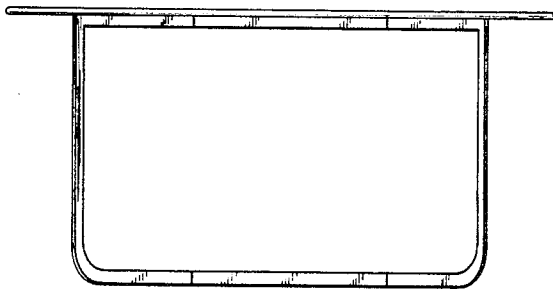


FIG. 3

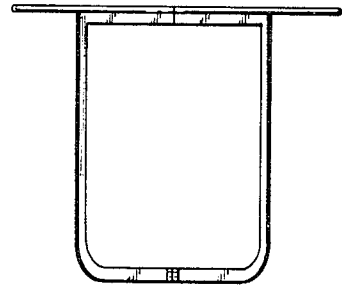


FIG. 4