



US0D1035060S

(12) **United States Design Patent**
Qiao

(10) **Patent No.:** **US D1,035,060 S**

(45) **Date of Patent:** **** Jul. 9, 2024**

(54) **LIGHT**

FOREIGN PATENT DOCUMENTS

(71) Applicant: **YANGZHOU HUACAI OPTO CO., LTD.**, Yangzhou (CN)

CN 307162112 * 3/2022
CN 308211171 * 9/2023
EM 015013389-0002 * 3/2023

(72) Inventor: **Huajian Qiao**, Yangzhou (CN)

(73) Assignee: **YANGZHOU HUACAI OPTO CO., LTD.**, Yangzhou (CN)

OTHER PUBLICATIONS

(**) Term: **15 Years**

“LED Strip” published on Amazon.com, date first available Feb. 5, 2024 [online], site visited Mar. 21, 2024, available from internet URL: <https://www.amazon.com/Strip-Lights-44-Key-Remote-Changing/dp/B0CTZK3Y5Y/> (Year: 2024).*

(21) Appl. No.: **29/885,199**

(Continued)

(22) Filed: **Feb. 22, 2023**

Primary Examiner — Angela J Lee

(51) **LOC (14) Cl.** **26-04**

Assistant Examiner — Liv C Anderson

(52) **U.S. Cl.**

USPC **D26/25**; D26/1

(57) **CLAIM**

(58) **Field of Classification Search**

USPC D26/1, 2, 24, 25, 72, 85, 88
CPC ... F21W 2121/00; F21W 2121/04; F21S 4/00;
F21S 4/10; F21S 4/15; F21S 4/20; F21S
4/22; F21S 4/24

The ornamental design for a light, as shown and described.

See application file for complete search history.

DESCRIPTION

(56) **References Cited**

U.S. PATENT DOCUMENTS

D594,576 S * 6/2009 Chan D26/1
D600,372 S * 9/2009 Chan D26/3
D822,269 S * 7/2018 Oquendo, Jr. D26/155
D849,277 S * 5/2019 John D26/1
D849,278 S * 5/2019 John D26/1
D869,694 S * 12/2019 Verfueth D26/1
D884,931 S * 5/2020 Yang D26/24
D885,615 S * 5/2020 Antony D26/1
10,683,988 B2 * 6/2020 John H05K 1/0274
10,897,802 B1 * 1/2021 Avery, Jr. H05B 45/48
10,928,017 B1 * 2/2021 Avery, Jr. F21V 23/04
D952,911 S * 5/2022 Luo D26/1
D973,239 S * 12/2022 Tian D26/25

FIG. 1 is a perspective view of a light showing my new design;
FIG. 2 is another perspective view thereof;
FIG. 3 is a front elevational view thereof;
FIG. 4 is a rear elevational view thereof;
FIG. 5 is a left side elevational view thereof;
FIG. 6 is a right side elevational view thereof;
FIG. 7 is a top plan view thereof;
FIG. 8 is a bottom plan view thereof;
FIG. 9 is an enlarged top plan view thereof;
FIG. 10 is an enlarged bottom plan view thereof; and,
FIG. 11 is an enlarged view of portion 11 shown in FIG. 1.
The dash-dash broken lines in the drawings depict portions of the light that form no part of the claimed design. The dot-dash broken lines represent boundaries of the enlarged portion and form no part of the claimed design.

(Continued)

1 Claim, 11 Drawing Sheets



(56)

References Cited

U.S. PATENT DOCUMENTS

D986,083	S *	5/2023	Wu	D26/1
D991,498	S *	7/2023	Gong	D26/25
D992,771	S *	7/2023	Gong	D26/1
D995,822	S *	8/2023	Huang	D26/138
D997,414	S *	8/2023	Wu	D26/80
D999,408	S *	9/2023	Toledo	F21S 4/22
					D26/1
2010/0008090	A1 *	1/2010	Li	F21V 23/06
					362/249.02
2010/0124054	A1 *	5/2010	Chen	F21V 19/04
					362/225
2016/0365688	A1 *	12/2016	Zanotto	H01R 25/142
2016/0374180	A1 *	12/2016	Feng	H05B 45/20
2022/0349564	A1 *	11/2022	Flynn	H01R 13/00
2023/0258305	A1 *	8/2023	Wang	F21V 19/0015
					345/82

OTHER PUBLICATIONS

“Govee” published on Amazon.com, date first available Oct. 14, 2019 [online], site visited Mar. 21, 2024, available from internet URL: <https://www.amazon.com/Govee-Upgraded-Dimmable-Daylight-Adhesive/dp/B07XHLGSXN/> (Year: 2019).*

“LED Storefront” published on Amazon.com, date first available May 8, 2018 [online], site visited Mar. 21, 2024, available from internet URL: <https://www.amazon.com/Storefront-Pomelotree-Waterproof-Decorative-Advertising/dp/B07CXSLT4N/> (Year: 2018).*

* cited by examiner

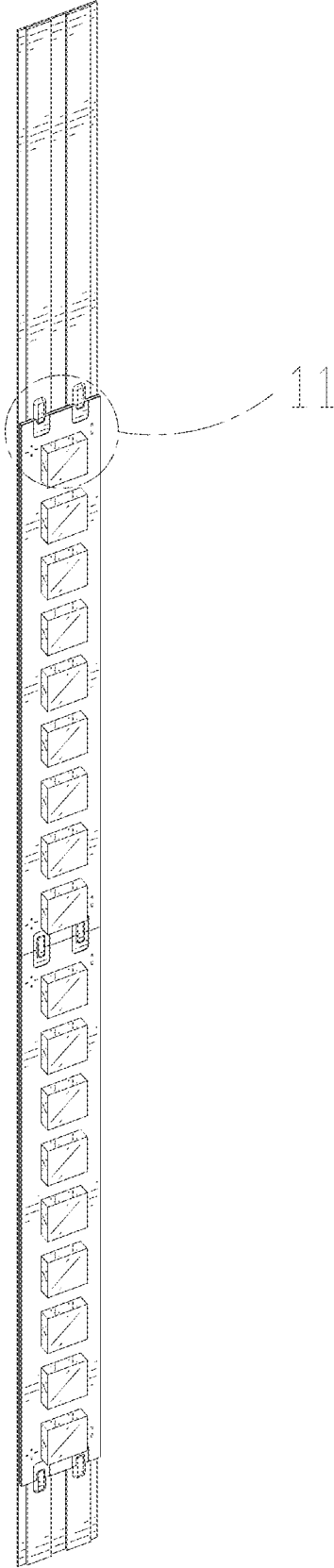


FIG. 1



FIG. 2

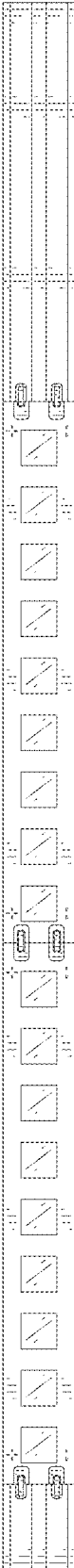


FIG. 3



FIG. 4



FIG. 5

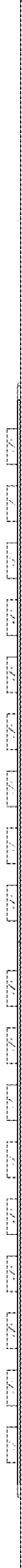


FIG. 6



FIG. 7



FIG. 8

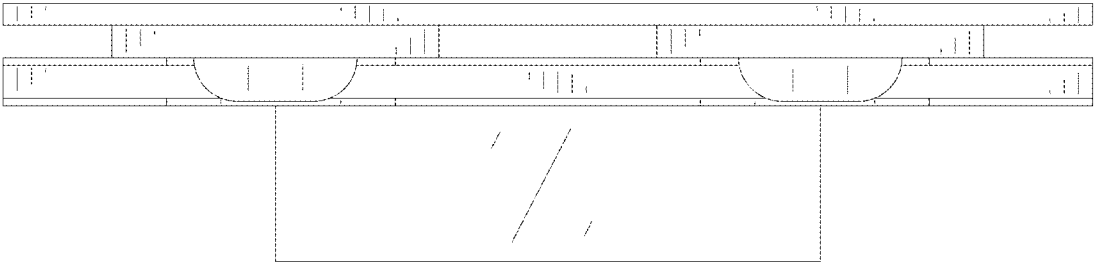


FIG. 9

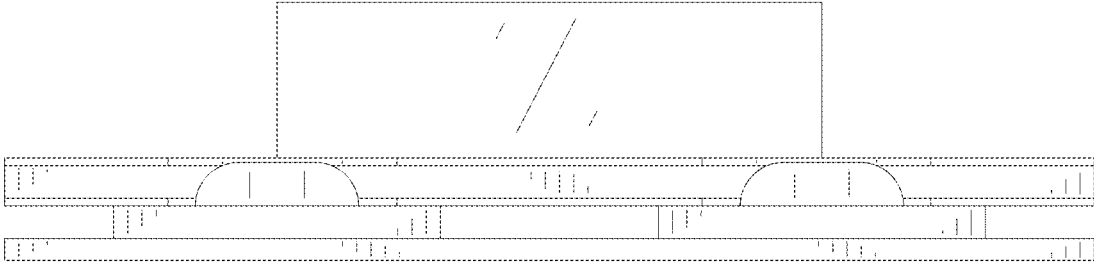


FIG. 10

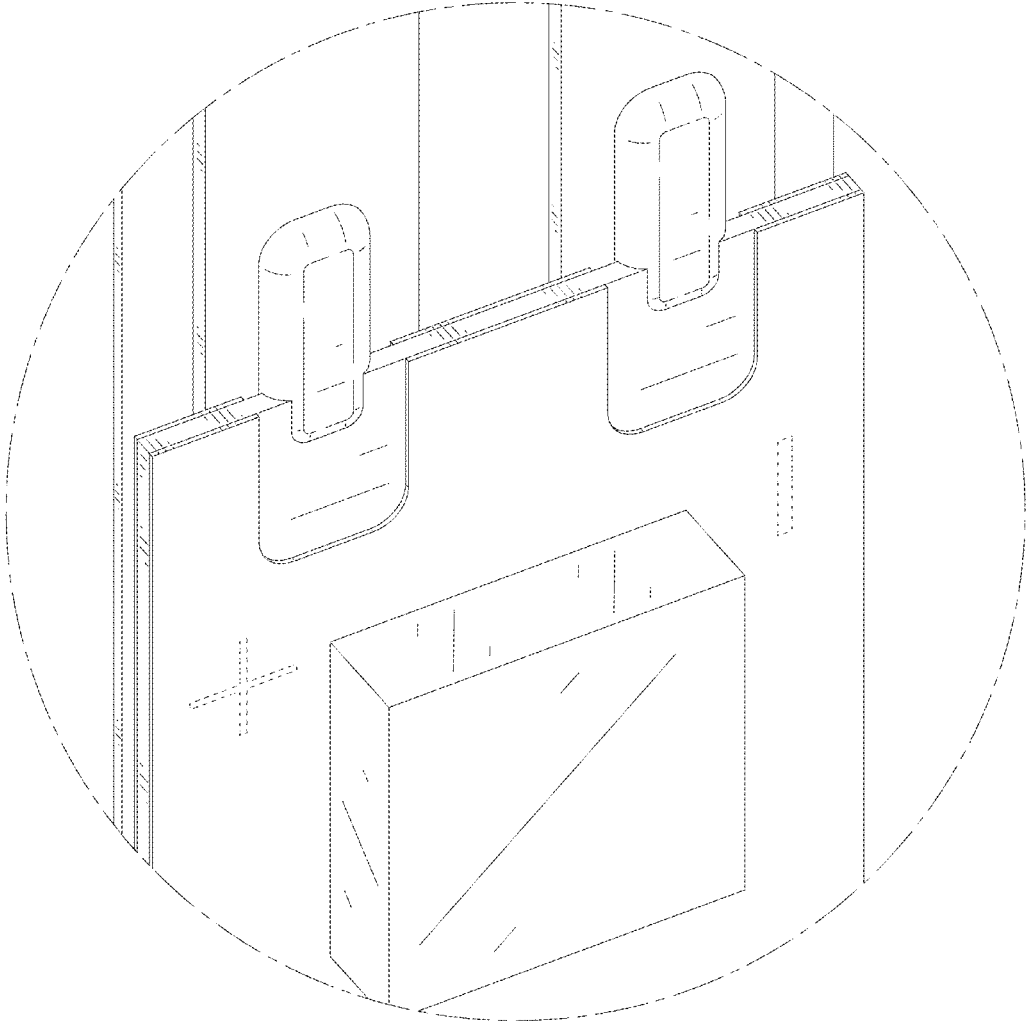


FIG. 11