



US00D763911S

(12) **United States Design Patent**
Choi et al.

(10) **Patent No.:** **US D763,911 S**

(45) **Date of Patent:** **** Aug. 16, 2016**

(54) **DISPLAY SCREEN OR PORTION THEREOF WITH GRAPHICAL USER INTERFACE**

(71) Applicant: **Samsung Electronics Co., Ltd.**,
Suwon-si (KR)

(72) Inventors: **Hye-Jeong Choi**, Seoul (KR); **Bo-Woo Park**, Seoul (KR)

(73) Assignee: **SAMSUNG ELECTRONICS CO., LTD.**, Suwon-Si (KR)

(**) Term: **14 Years**

(21) Appl. No.: **29/510,053**

(22) Filed: **Nov. 24, 2014**

(30) **Foreign Application Priority Data**

Jul. 17, 2014 (KR) 30-2014-0035187

(51) **LOC (10) Cl.** **14-04**

(52) **U.S. Cl.**
USPC **D14/489**

(58) **Field of Classification Search**

USPC D14/485-495
CPC ... G06F 3/048; G06F 3/0481; G06F 3/04812;
G06F 3/04815; G06F 3/04817; G06F 3/0482;
G06F 3/0483; G06F 3/0484; G06F 3/04842;
G06F 3/04845; G06F 3/04847; G06F 3/0485;
G06F 3/04855; G06F 3/0486; G06F 3/0487;
G06F 3/0488; G06F 3/04883; G06F 3/04886;
H04N 1/00424

See application file for complete search history.

(56) **References Cited**

U.S. PATENT DOCUMENTS

6,542,172 B1 * 4/2003 Yamamoto G06F 8/34
715/759
D488,818 S * 4/2004 Lee D14/489
D599,362 S * 9/2009 Danton D14/485

D606,093 S * 12/2009 Danton D14/489
D643,853 S * 8/2011 Matas D14/490
D693,364 S * 11/2013 Gardner D14/489
D703,692 S * 4/2014 Phelan D14/488
D706,816 S 6/2014 Holz
D706,824 S 6/2014 Smith
D709,088 S * 7/2014 Barcheck D14/489
D732,578 S * 6/2015 Seo D14/489
D736,820 S * 8/2015 Clement D14/488
D741,904 S * 10/2015 Clement D14/490
D746,830 S * 1/2016 Seo D14/485

(Continued)

FOREIGN PATENT DOCUMENTS

KR 300744176 5/2014
RO f20120077-0006 3/2012
SE 81227-0001 9/2010

Primary Examiner — Melanie H Tung

Assistant Examiner — Bao-Yen Nguyen

(74) *Attorney, Agent, or Firm* — McAndrews Held & Malloy, Ltd.

(57) **CLAIM**

The ornamental design for a display screen or portion thereof with graphical user interface, as shown and described.

DESCRIPTION

FIG. 1 is a front view of a display screen or portion thereof with graphical user interface showing our new design; the icon is shown separately for clarity of illustration, on an enlarged scale; and,

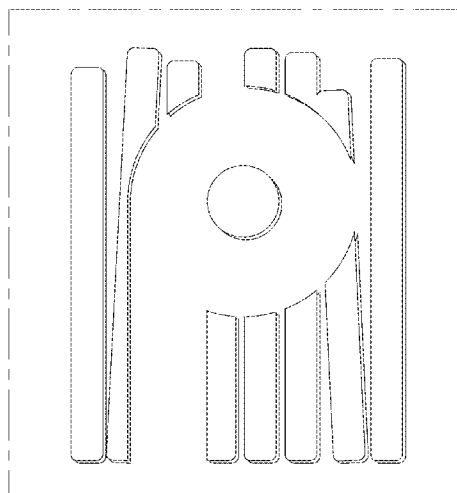
FIG. 2 is another front view thereof.

The dash-dot broken lines in FIGS. 1 and 2 represent an unclaimed boundary line and form no part of the claimed design.

The outer dashed broken lines in FIG. 2 show a display screen or portion thereof and form no part of the claimed design.

The inner dashed broken line showing the remainder of the graphical user interface in FIG. 2 forms no part of the claimed design.

1 Claim, 2 Drawing Sheets



US D763,911 S

Page 2

(56)

References Cited

2011/0252370 A1* 10/2011 Chaudhri G06F 3/04883
715/830

U.S. PATENT DOCUMENTS

2010/0159898 A1* 6/2010 Krzyzanowski G06F 9/4445
455/414.1

* cited by examiner

FIG. 1

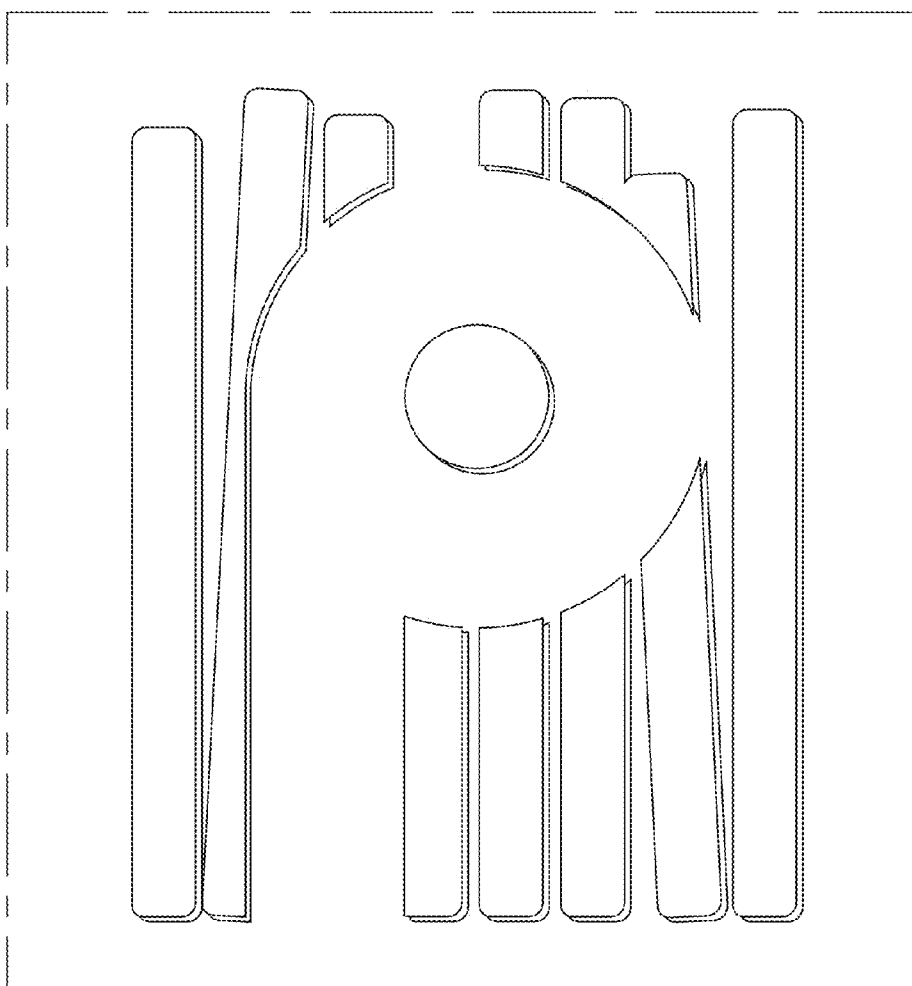


FIG. 2

