



(12) **United States Design Patent**
Connelly

(10) **Patent No.:** **US D838,970 S**
(45) **Date of Patent:** **** Jan. 29, 2019**

- (54) **KNITTING NEEDLE HOLDER**
- (71) Applicant: **Justin Connelly**, Anacortes, WA (US)
- (72) Inventor: **Justin Connelly**, Anacortes, WA (US)
- (**) Term: **15 Years**
- (21) Appl. No.: **29/591,238**
- (22) Filed: **Jan. 18, 2017**
- (51) **LOC (11) Cl.** **03-01**
- (52) **U.S. Cl.**
USPC **D3/20**
- (58) **Field of Classification Search**
USPC D3/18, 20, 21, 22, 23, 26, 27; D8/71,
D8/354, 360.1, 356, 396
CPC D04B 3/06; D04B 15/40; D04B 15/10;
D04B 15/482; D05B 55/00; D05B 85/00;
D05B 91/06; D05C 1/06; D05C 1/065
See application file for complete search history.

D324,984	S	*	3/1992	Massey	D8/71
D358,094	S	*	5/1995	DeGiacomo, Jr.	294/137
D362,386	S	*	9/1995	Blocker	294/137
D375,832	S	*	11/1996	Miller	D3/23
5,599,052	A	*	2/1997	Van Davelaar	A45F 5/1026 283/75
D387,978	S	*	12/1997	McNally, Jr.	D8/356
D422,867	S	*	4/2000	Forbes	294/137
D448,650	S	*	10/2001	Vrame	D8/354
D548,952	S	*	8/2007	Mihara	D3/20
D573,787	S	*	7/2008	Sweet	D3/23
D583,155	S	*	12/2008	Melfi	D3/328
D628,101	S	*	11/2010	Matsumoto	D10/64
D641,611	S	*	7/2011	Minayoshi	D8/354
D655,598	S	*	3/2012	Hsu	D8/356
D790,127	S	*	6/2017	Verleur	D27/183

* cited by examiner

Primary Examiner — John Windmuller
Assistant Examiner — Steven J Czyz

(57) **CLAIM**

The ornamental design for a knitting needle holder, as shown and described.

DESCRIPTION

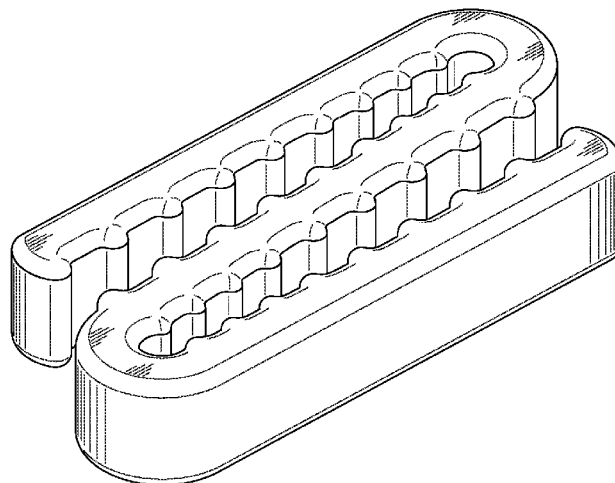
FIG. 1 is a top-side perspective view showing an exemplary knitting needle holder;
 FIGS. 2 & 3 are a right and left side view of the knitting needle holder;
 FIGS. 4 & 5 are a top and bottom view of the knitting needle holder;
 FIG. 6 is an alternate side view showing an exemplary knitting needle holder holding a pair of knitting needles; and,
 FIG. 7 is an alternate side view showing a knitting needle holder and cross section of knitting needles thereof.
 The broken lines showing knitting needles and a cross section thereof or portions thereof are not part of the claimed invention.

1 Claim, 5 Drawing Sheets

(56) **References Cited**

U.S. PATENT DOCUMENTS

3,084,788	A	*	4/1963	Ford	D04B 3/00 206/383
3,833,183	A	*	9/1974	Swatzell, Jr.	D05C 1/065 242/127
D233,312	S	*	10/1974	Lock et al.	D24/143
3,856,140	A	*	12/1974	Fitts	B65H 57/16 206/1.7
D236,529	S	*	8/1975	Courtney et al.	D3/23
D248,194	S	*	6/1978	Urban	D3/20
D248,433	S	*	7/1978	McCollum	D22/147
4,380,296	A	*	4/1983	Murray	A47F 7/005 206/388
D291,841	S	*	9/1987	Owens	D3/26
D297,595	S	*	9/1988	Sawai	D3/20
D311,812	S	*	11/1990	Lord	D3/23
4,978,008	A	*	12/1990	Dalbo	A47F 7/005 206/225
D322,161	S	*	12/1991	Dalbo	D3/23



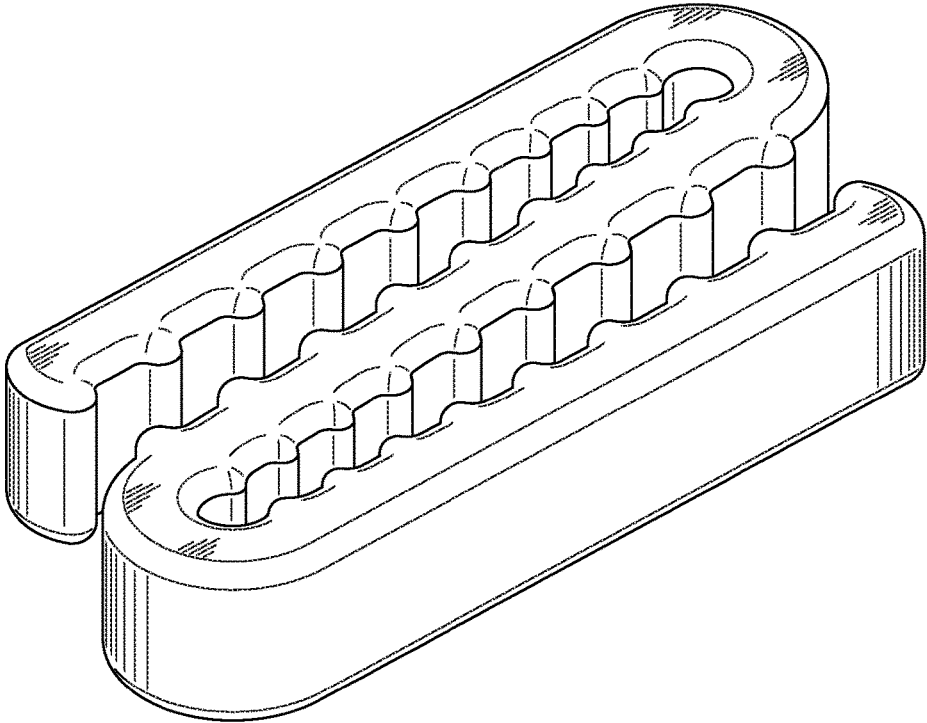


FIG. 1

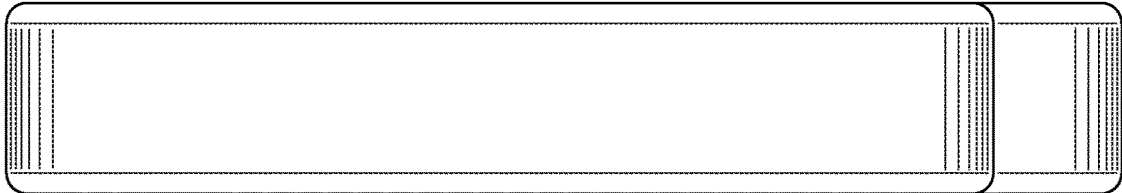


FIG. 2

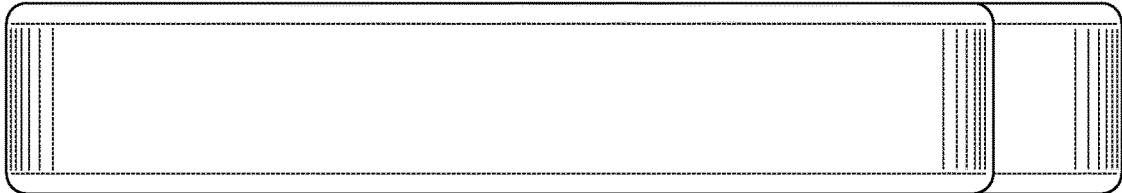


FIG. 3

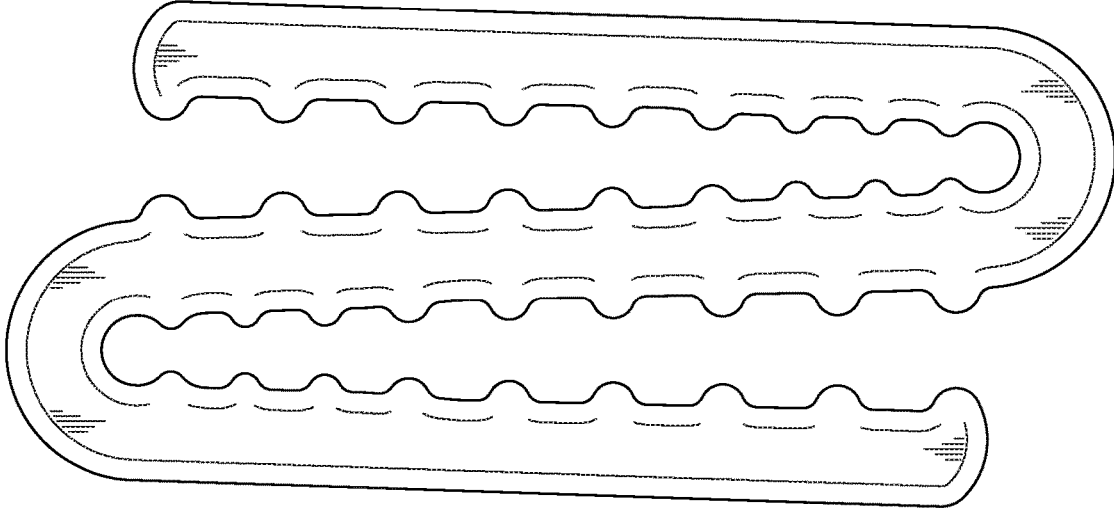


FIG. 4

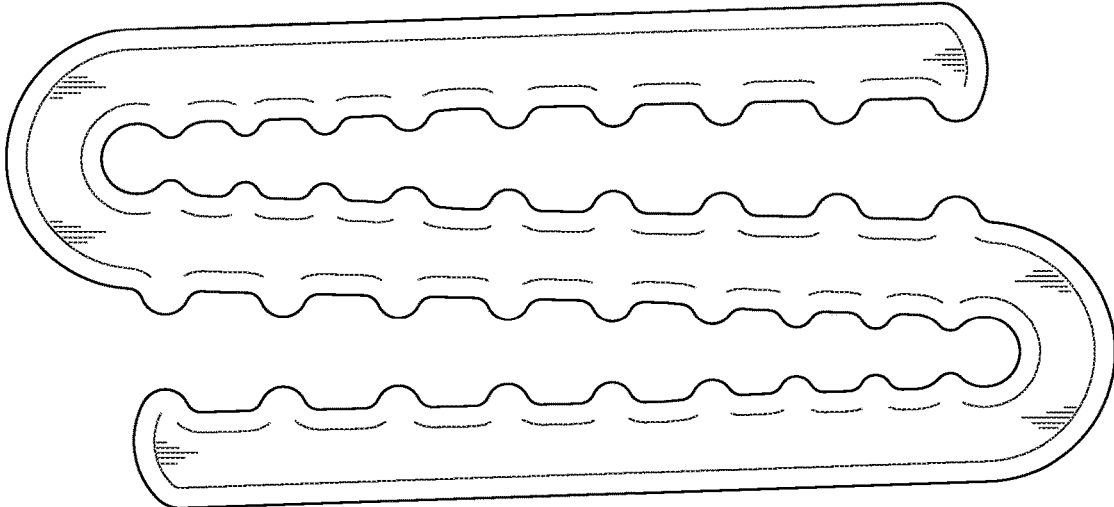


FIG. 5

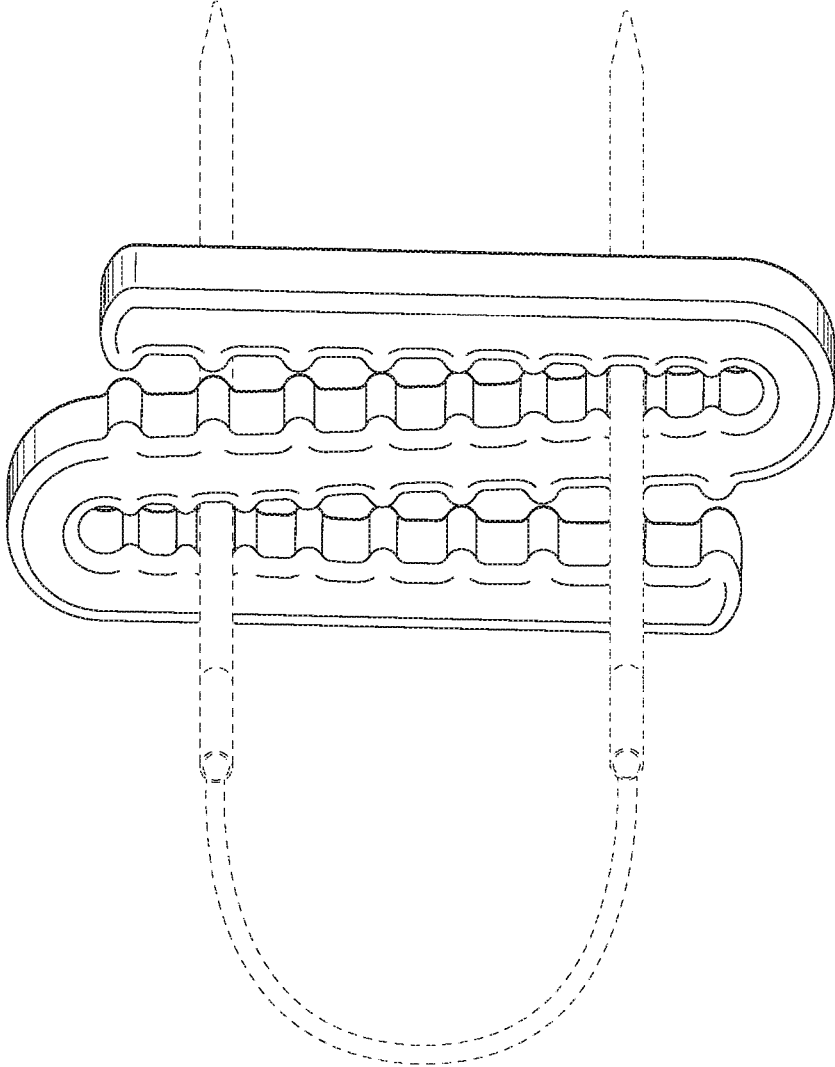


FIG. 6

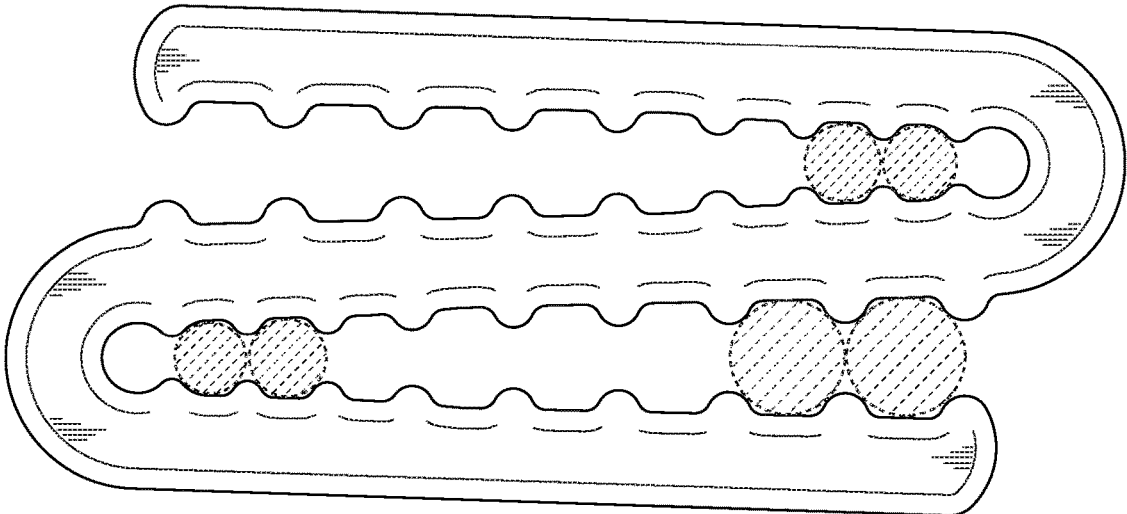


FIG. 7