



US00D852402S

(12) **United States Design Patent**
Zhu

(10) **Patent No.:** **US D852,402 S**

(45) **Date of Patent:** **** Jun. 25, 2019**

(54) **LED CEILING LIGHT**
(71) Applicant: **Dongsheng Zhu**, Guangdong (CN)
(72) Inventor: **Dongsheng Zhu**, Guangdong (CN)
(73) Assignee: **Shenzhen Smart & Green Technology Co., Ltd.**, Shenzhen
(**) Term: **15 Years**

D729,970 S * 5/2015 Jepson D26/89
D759,877 S * 6/2016 Hewitt D26/89
D779,106 S * 2/2017 Krueckeberg D26/89
D785,848 S * 5/2017 Couture D26/89
2016/0116147 A1* 4/2016 Liang F21V 23/023
362/147
2016/0356462 A1* 12/2016 O'Brien F21V 21/02
2017/0009962 A1* 1/2017 Feit F21V 21/03
2017/0234513 A1* 8/2017 Tang F21V 19/02
362/368
2017/0268736 A1* 9/2017 Harpenau F21S 8/043

(21) Appl. No.: **29/624,200**
(22) Filed: **Oct. 31, 2017**

* cited by examiner

Primary Examiner — Clare E Heflin

(51) **LOC (11) Cl.** **26-03**
(52) **U.S. Cl.**
USPC **D26/89**
(58) **Field of Classification Search**
USPC D26/72, 79, 89
CPC F21S 8/03; F21S 8/031; F21S 8/04; F21S 8/043; F21S 8/06; F21S 8/063; F21V 29/76; F21V 29/763; F21V 29/767; F21V 29/77; F21V 29/78; F21W 2131/1005; F21W 2131/107; F21W 2131/402
See application file for complete search history.

(57) **CLAIM**

The ornamental design for the LED ceiling light, as shown and described.

DESCRIPTION

FIG. 1 is a perspective view of the LED ceiling light showing my new design;
FIG. 2 is a front elevational view thereof;
FIG. 3 is a rear elevational view thereof;
FIG. 4 is a right side view thereof;
FIG. 5 is a left side view thereof;
FIG. 6 is a bottom plan view thereof; and,
FIG. 7 is a top plan view thereof.

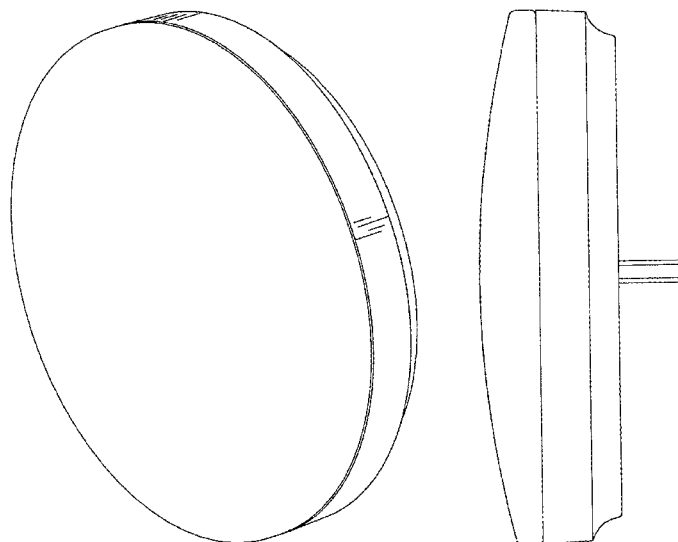
In the drawing views, the broken lines represent unclaimed portions of the LED ceiling light and form no part of the claimed design.

(56) **References Cited**

U.S. PATENT DOCUMENTS

D490,182 S * 5/2004 Benensohn D26/79
D501,573 S * 2/2005 Benensohn D26/89
D556,938 S * 12/2007 Russello D26/89
D633,644 S * 3/2011 Sprengers D26/89
D634,057 S * 3/2011 Nguyen D26/89
D647,227 S * 10/2011 Kaule D26/24

1 Claim, 7 Drawing Sheets



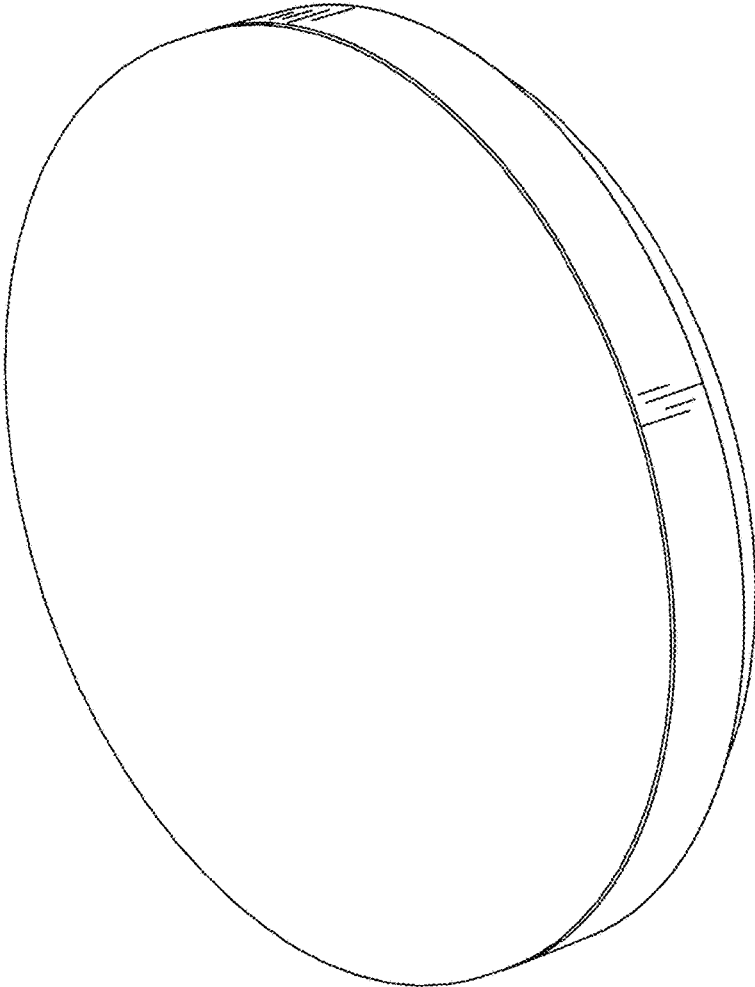


FIG. 1

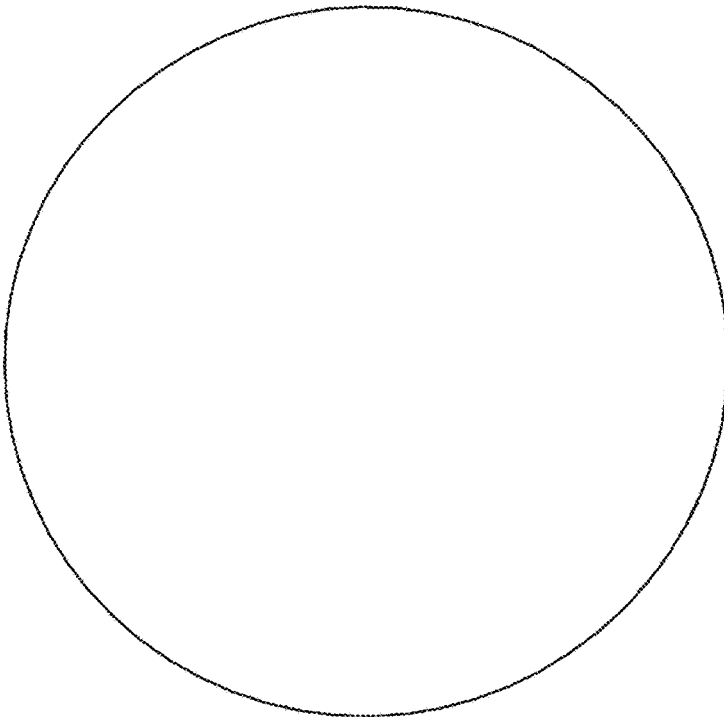


FIG. 2

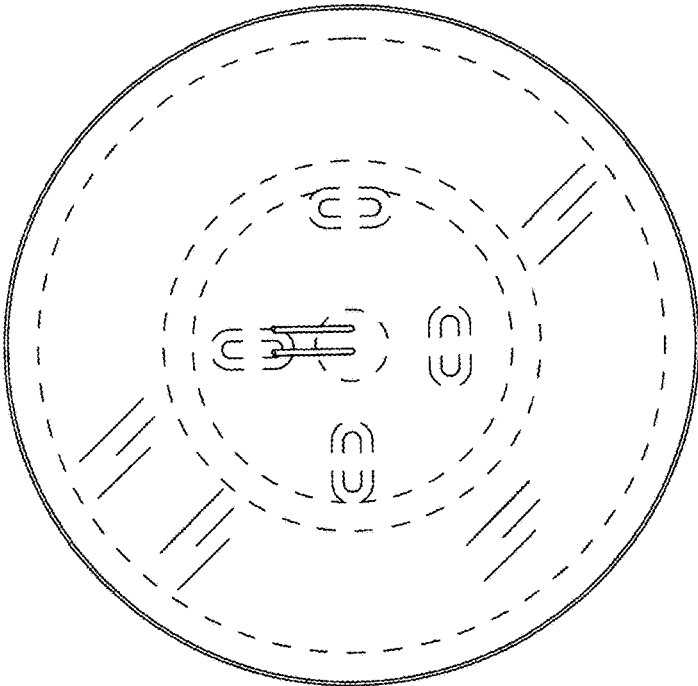


FIG. 3

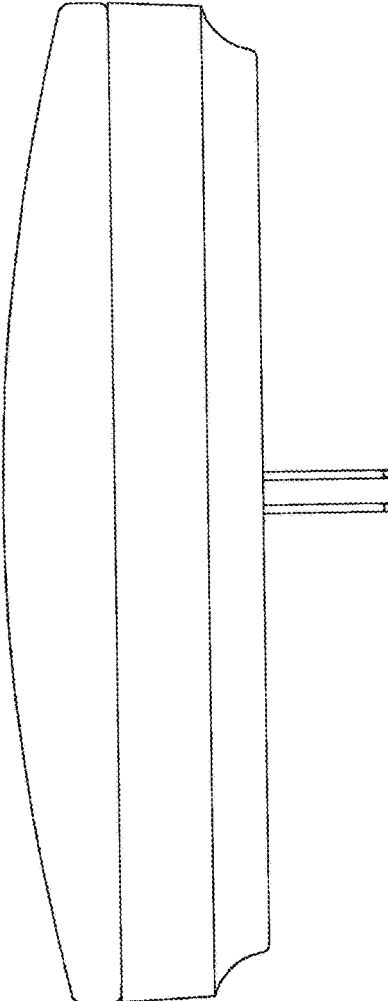


FIG. 4

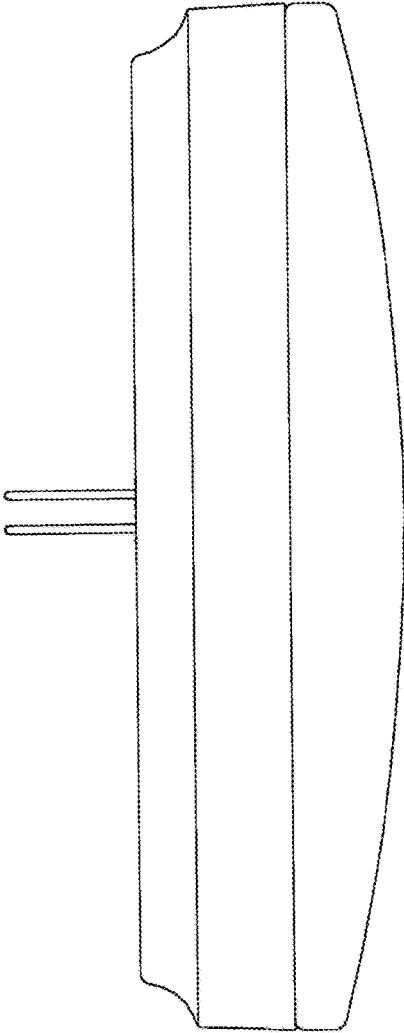


FIG. 5

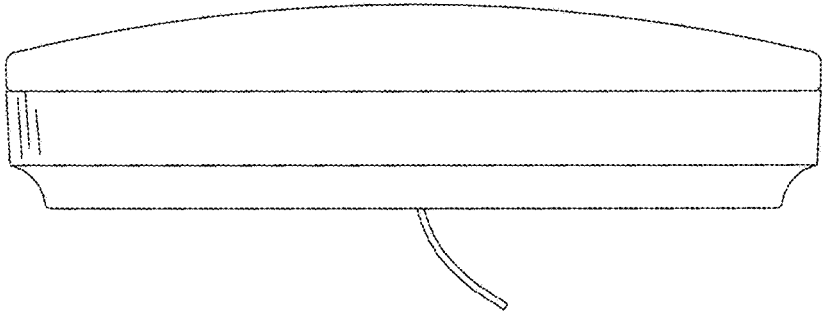


FIG. 6

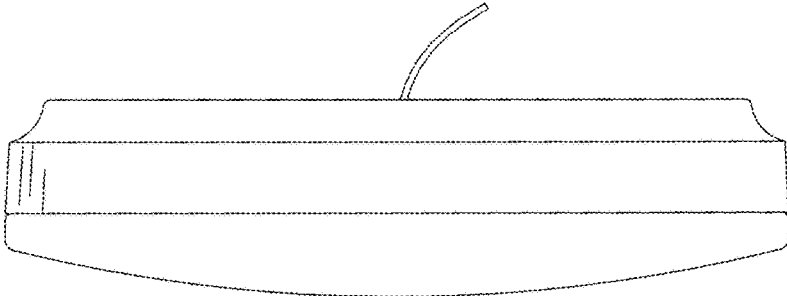


FIG. 7