



(12) **United States Design Patent**  
**Tong**

(10) **Patent No.:** **US D835,612 S**  
(45) **Date of Patent:** **\*\* Dec. 11, 2018**

- (54) **MICROPHONE**
- (71) Applicant: **RAZER (ASIA-PACIFIC) PTE. LTD.**,  
Singapore (SG)
- (72) Inventor: **Ien Yu Tong**, Johor (MY)
- (73) Assignee: **RAZER (ASIA-PACIFIC) PTE. LTD.**,  
Singapore (SG)
- (\*\*) Term: **15 Years**
- (21) Appl. No.: **29/622,359**
- (22) Filed: **Oct. 17, 2017**
- (51) **LOC (11) Cl.** ..... **14-01**
- (52) **U.S. Cl.**  
USPC ..... **D14/225**
- (58) **Field of Classification Search**  
USPC ..... D14/224–229; D16/244; D17/99;  
D6/681; 248/125.1, 166, 185.1;  
381/355, 359, 361–363, 365, 366, 369,  
381/375; 379/428.01, 428.04, 431,  
379/433.03  
CPC . H04R 25/00; H04R 1/02; H04R 5/02; H04R  
9/08; F16M 11/38; F16M 13/00; F16M  
11/00  
See application file for complete search history.

5,624,358 A *	4/1997	Hestilow	.....	A63B 69/208
				482/83
D409,670 S *	5/1999	Kuo	.....	D21/662
6,027,435 A *	2/2000	Nadorf	.....	A63B 69/208
				482/146
D447,131 S *	8/2001	Hough	.....	D14/228
D594,856 S *	6/2009	Marshall	.....	D14/228
D603,849 S *	11/2009	Durrett	.....	D14/228
D708,170 S *	7/2014	Duek	.....	D14/225
D748,610 S *	2/2016	Smith	.....	D14/225
D774,494 S *	12/2016	Sunwoo	.....	D14/227
D826,908 S *	8/2018	Stillerman	.....	D14/227
2006/0002576 A1 *	1/2006	Akino	.....	H04R 1/021
				381/361

\* cited by examiner

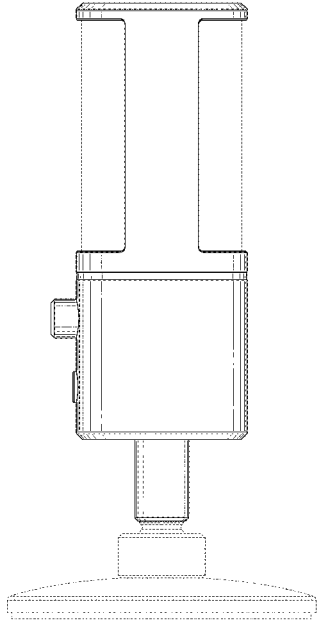
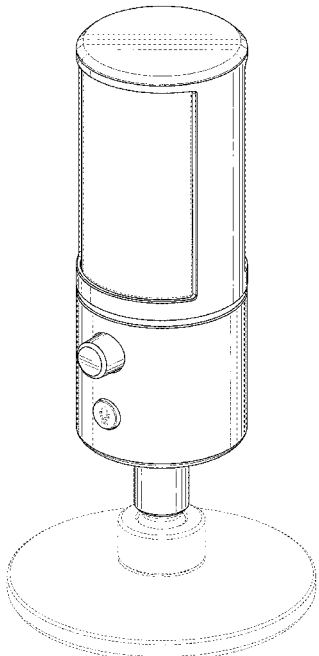
*Primary Examiner* — Katie Jane Stofko  
(74) *Attorney, Agent, or Firm* — Polsinelli PC

(57) **CLAIM**  
I claim the ornamental design for a microphone, as shown and described.

**DESCRIPTION**

FIG. 1 is a perspective view of a microphone, showing my new design;  
FIG. 2 is a front elevational view thereof;  
FIG. 3 is a rear elevational view thereof;  
FIG. 4 is a right side elevational view thereof;  
FIG. 5 is a left side elevational view thereof;  
FIG. 6 is a top plan view thereof;  
FIG. 7 is a bottom plan view thereof; and,  
FIG. 8 is a tilted, perspective view thereof.  
The broken lines in FIGS. 1-8 illustrate portions of the microphone that form no part of the claimed design.

**1 Claim, 8 Drawing Sheets**



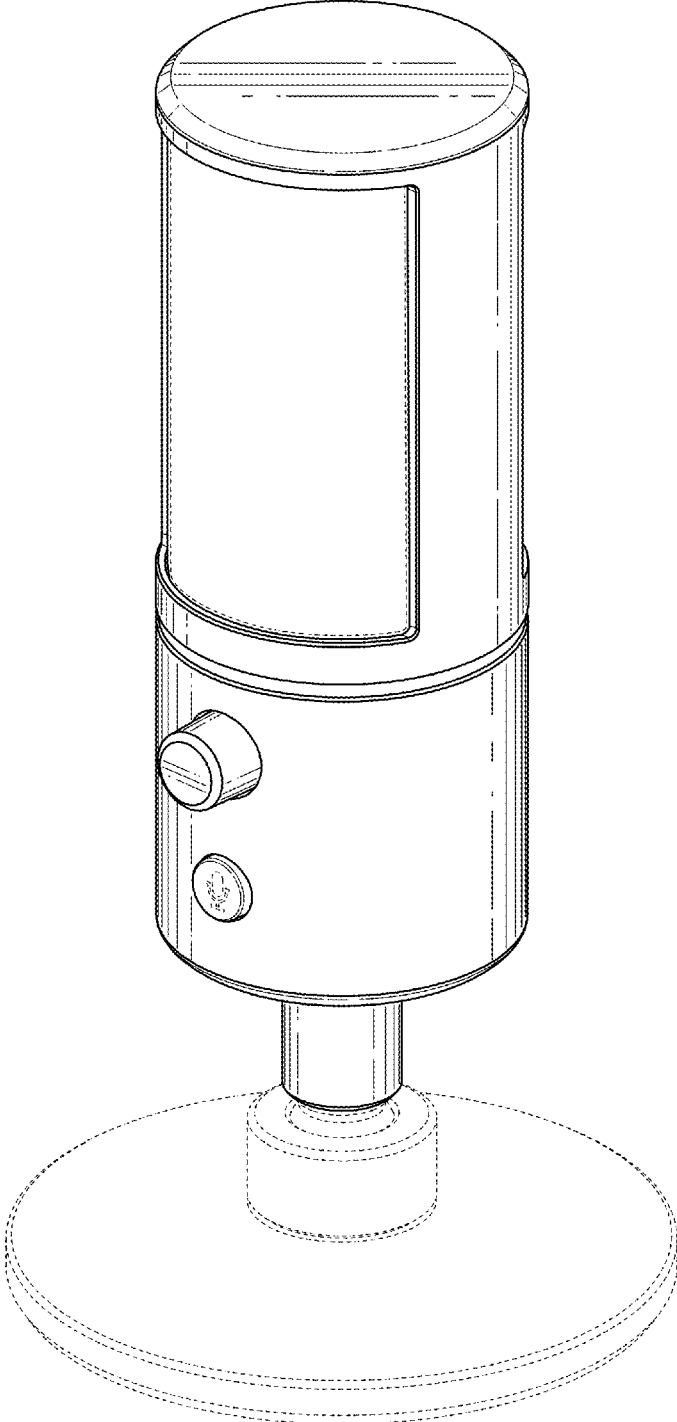


FIG. 1

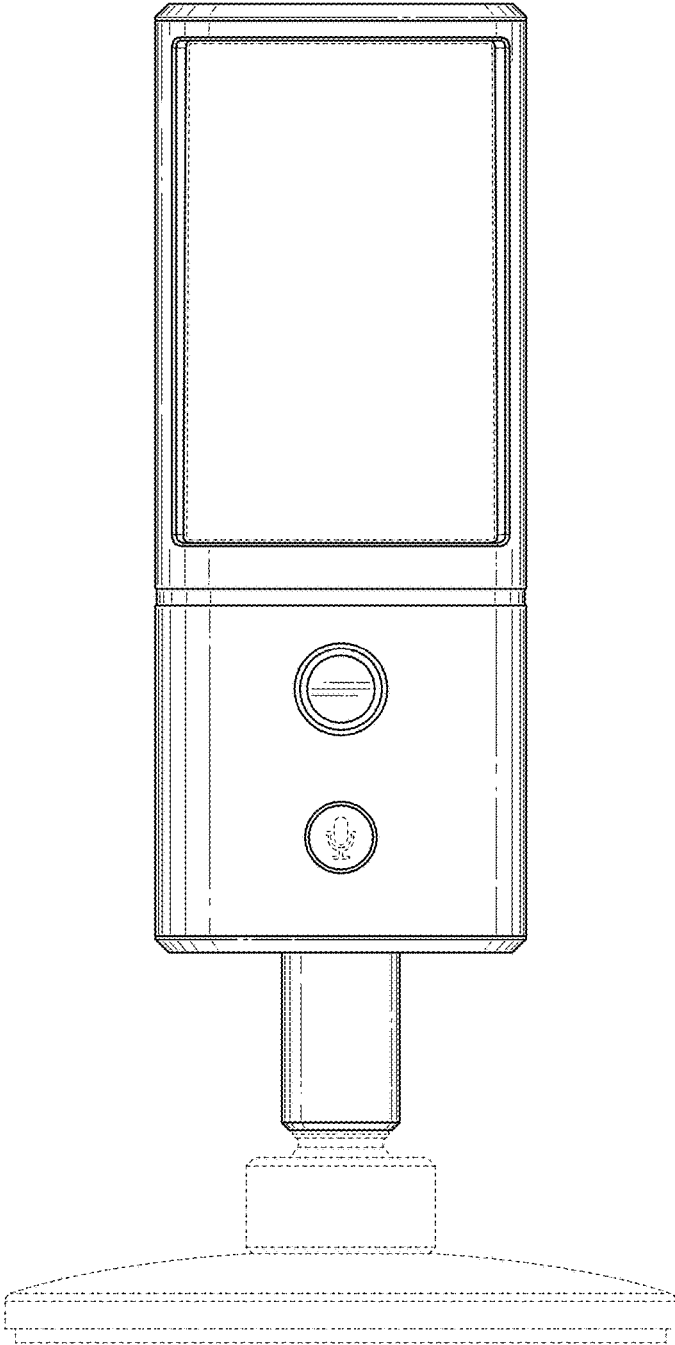


FIG. 2

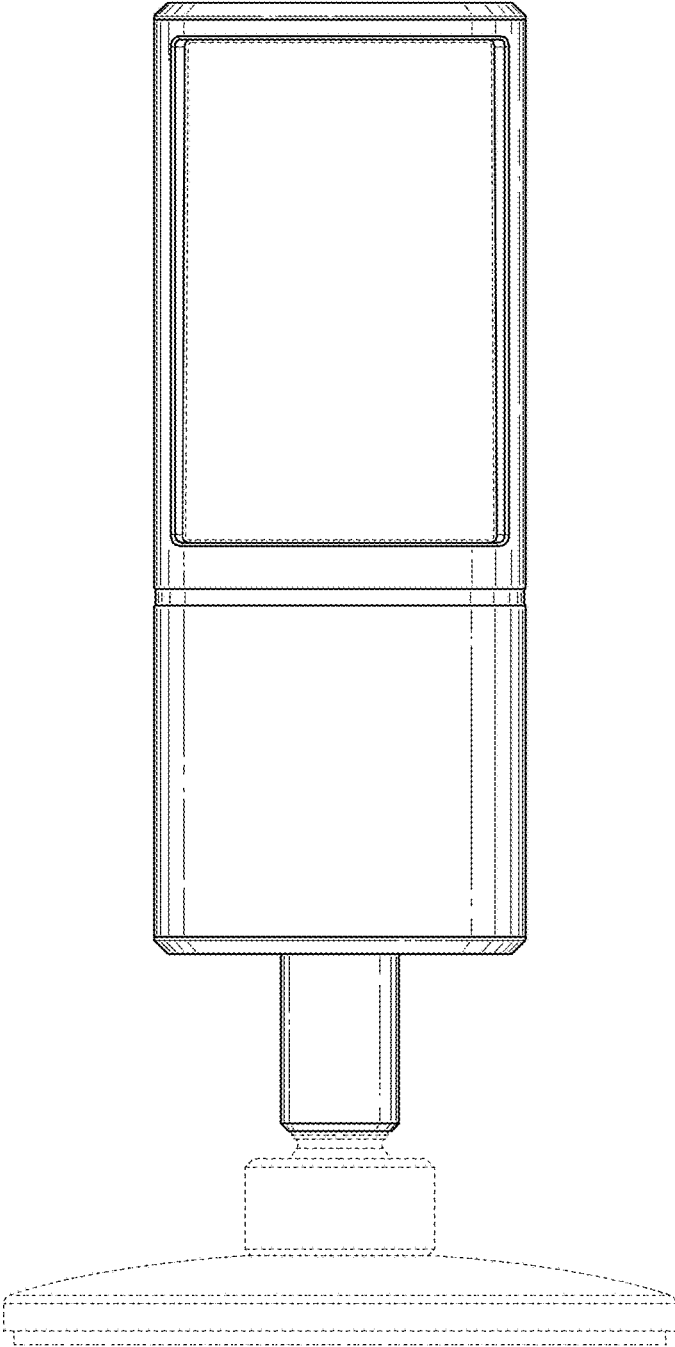


FIG. 3

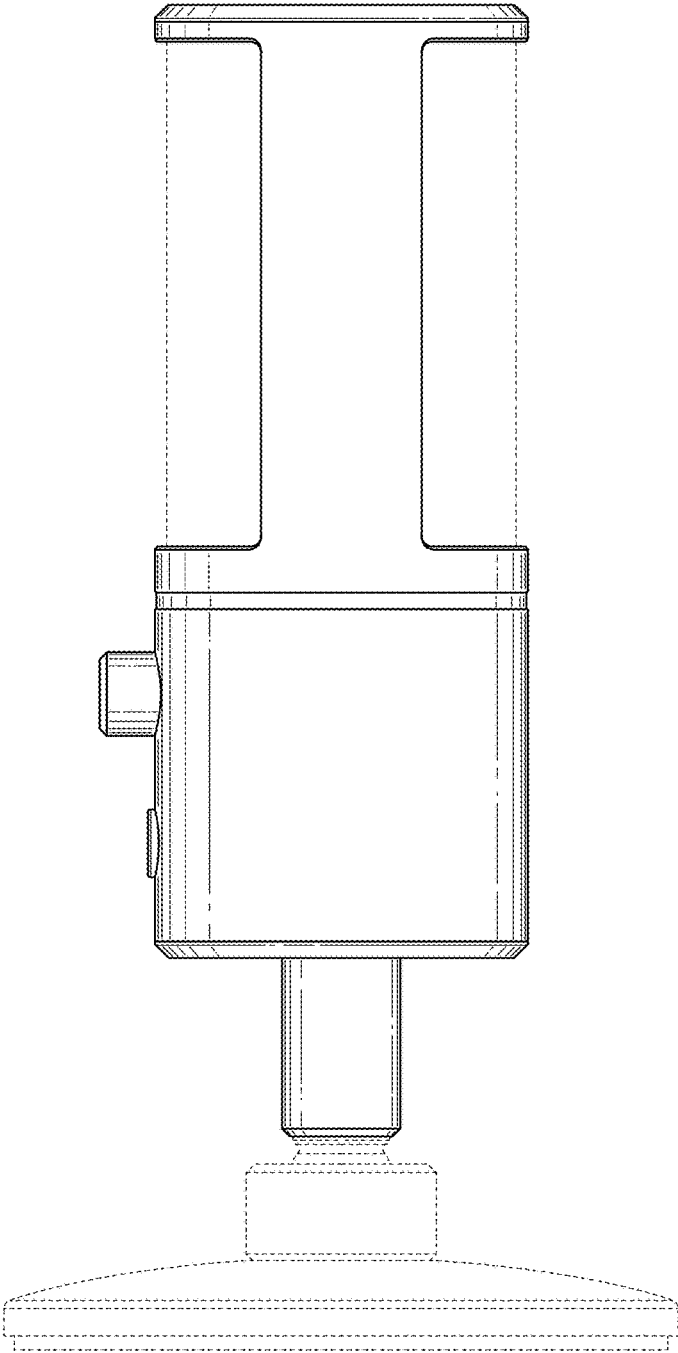


FIG. 4

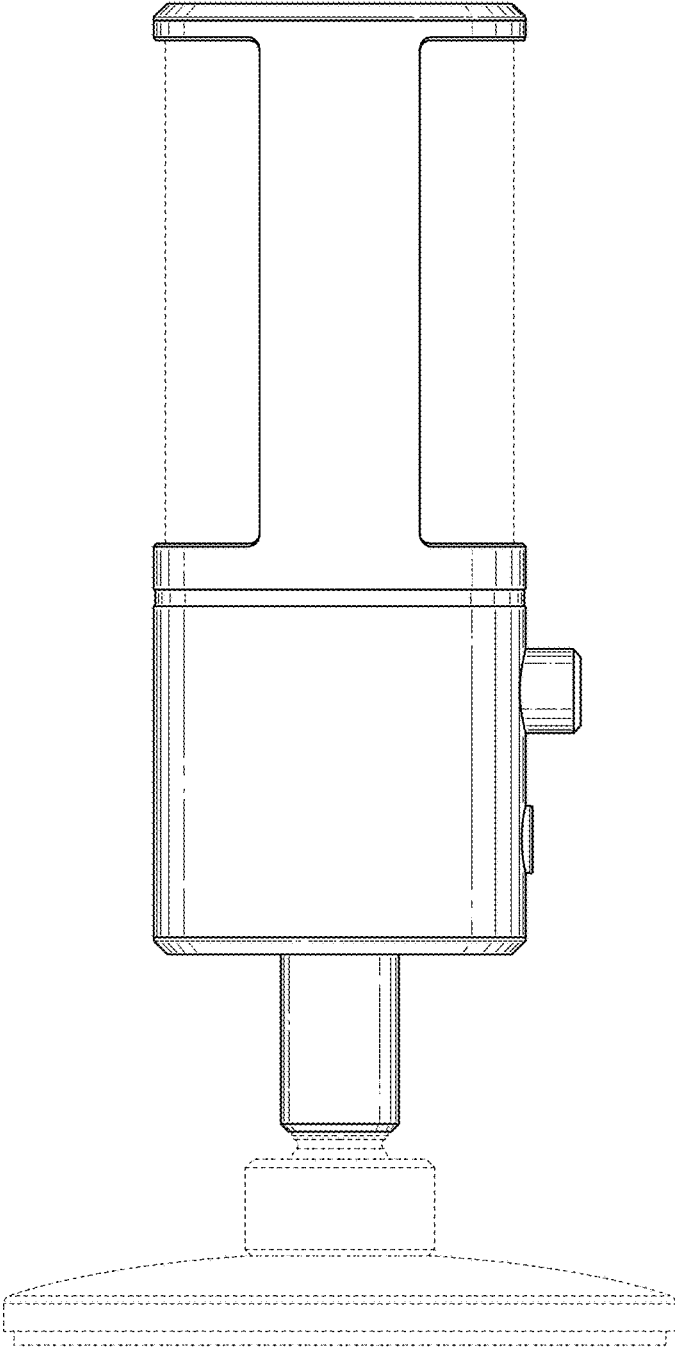


FIG. 5

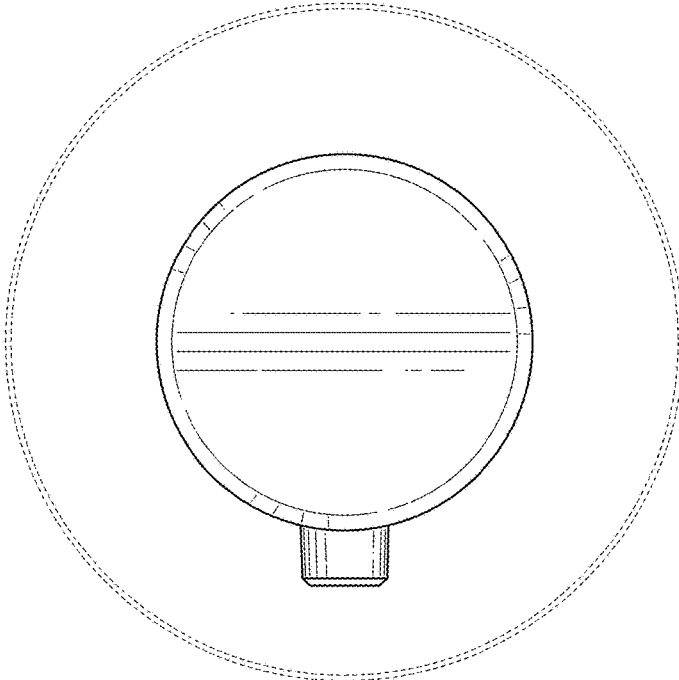


FIG. 6

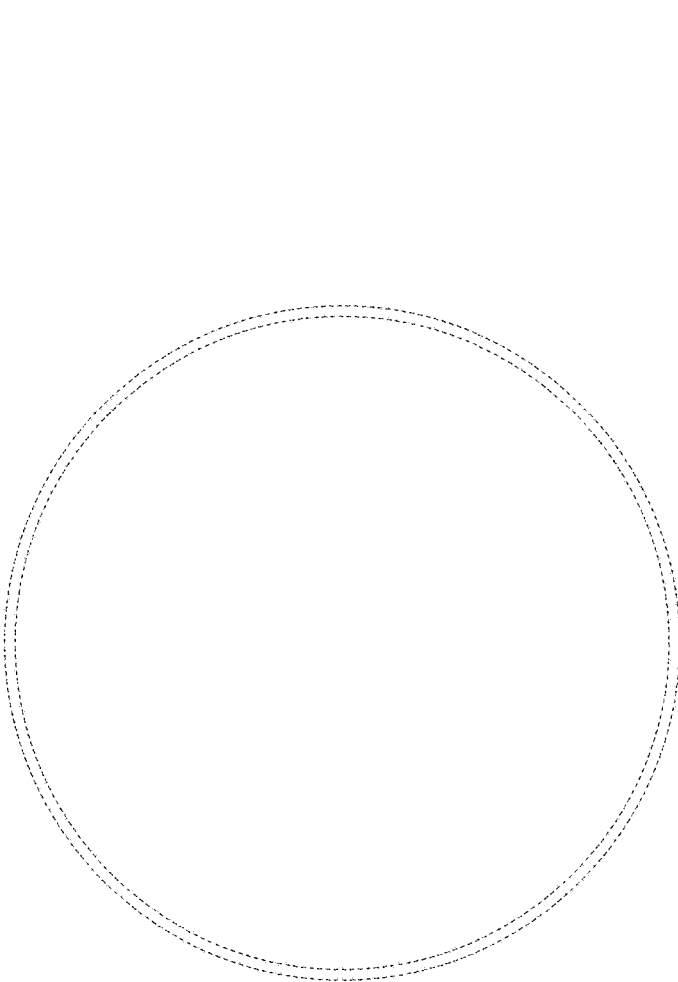


FIG. 7



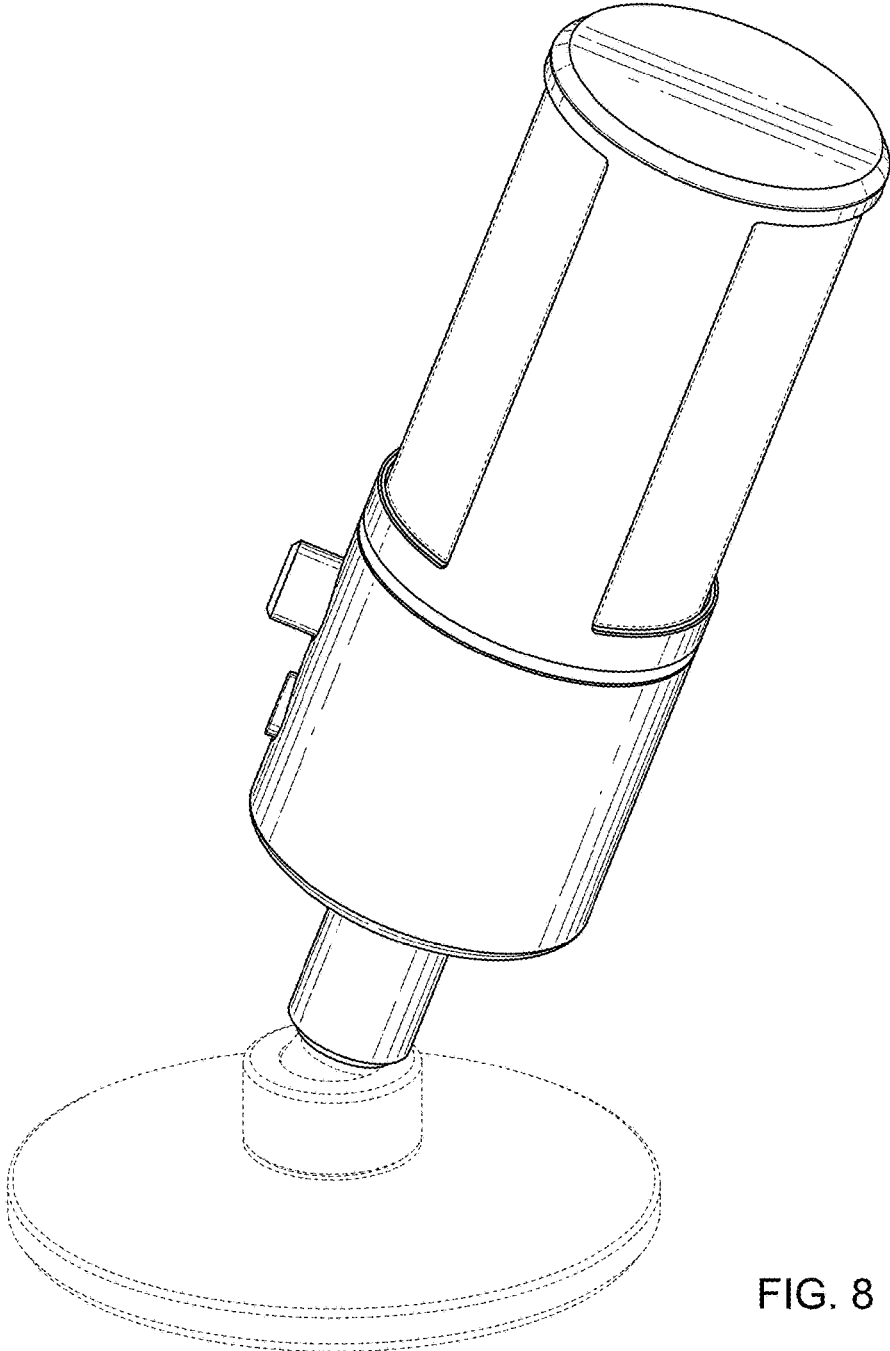


FIG. 8