



US00D822159S

(12) **United States Design Patent**
Tempel

(10) **Patent No.:** **US D822,159 S**

(45) **Date of Patent:** **** Jul. 3, 2018**

(54) **FAUCET STREAM STRAIGHTENER**

(71) Applicant: **NEOPERL GMBH**, Müllheim (DE)

(72) Inventor: **Marc Tempel**, Freiburg i. Br. (DE)

(73) Assignee: **Neoperl GmbH**, Müllheim (DE)

(**) Term: **15 Years**

(21) Appl. No.: **35/502,057**

(22) Filed: **Nov. 23, 2016**

(80) **Hague Agreement Data**

Int. Filing Date: **Nov. 23, 2016**

Int. Reg. No.: **DM/093602**

Int. Reg. Date: **Nov. 23, 2016**

Int. Reg. Pub. Date: **Dec. 9, 2016**

(51) **LOC (11) CL.** **23-01**

(52) **U.S. CL.**
USPC **D23/213**

(58) **Field of Classification Search**

USPC 239/428.5, 437; 261/DIG. 22; 366/276,
366/364, 365

CPC B05B 7/0425; E03C 1/08; E03C 1/084;
E03C 1/086; E03C 2001/026

See application file for complete search history.

(56) **References Cited**

U.S. PATENT DOCUMENTS

D529,588 S *	10/2006	Grether	D23/249
D539,873 S *	4/2007	Grether	D23/249
D550,814 S *	9/2007	Grether	D23/249
D550,815 S *	9/2007	Grether	D23/249
D550,816 S *	9/2007	Grether	D23/249
D550,817 S *	9/2007	Grether	D23/249
D550,818 S *	9/2007	Grether	D23/249
D605,732 S *	12/2009	Stein	D23/249

D612,911 S *	3/2010	Grether	D23/249
D622,355 S *	8/2010	Grether	D23/249
D684,241 S *	6/2013	Tempel	D23/213
D688,774 S *	8/2013	Tempel	D23/213
D691,238 S *	10/2013	Grether	D23/213
D728,740 S *	5/2015	Tempel	D23/213
D745,641 S *	12/2015	Blum	D23/213
D752,710 S *	3/2016	Tempel	D23/213
D776,240 S *	1/2017	Huang	D23/213
D776,242 S *	1/2017	Blum	D23/213
D788,264 S *	5/2017	Stein	D23/213
D797,236 S *	9/2017	Blum	D23/213
2009/0173405 A1*	7/2009	Denzler	E03C 1/08 138/41
2016/0222637 A1*	8/2016	Stein	E03C 1/084

* cited by examiner

Primary Examiner — Keli L Hill

(74) *Attorney, Agent, or Firm* — Volpe and Koenig, P.C.

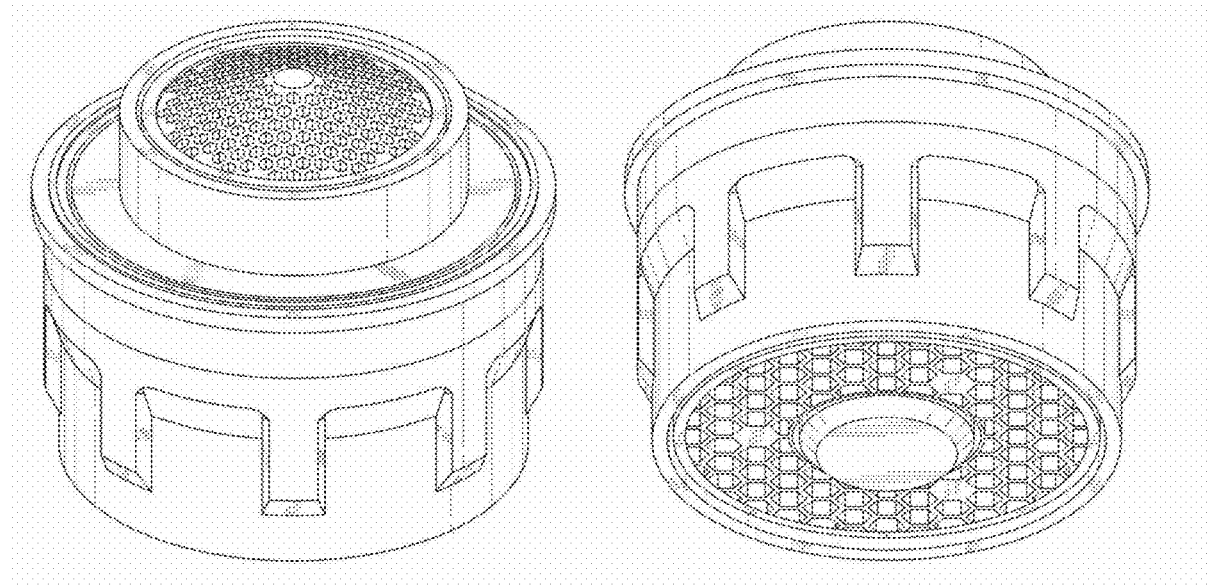
(57) **CLAIM**

The ornamental design for a faucet stream straightener, as shown and described.

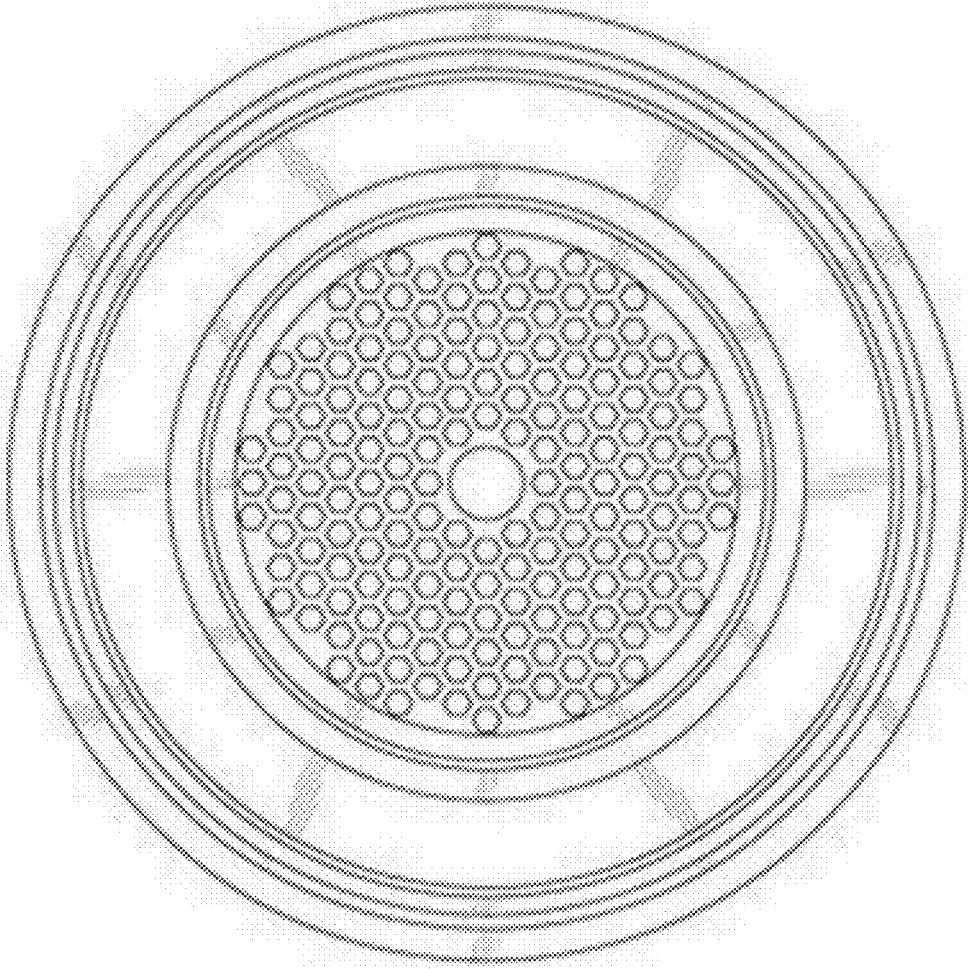
DESCRIPTION

- 1. and 5. Faucet stream straighteners
- 1.1 : Top
- 1.2 : Perspective
- 1.3 : Bottom
- 1.4 : Perspective
- 1.5 : Front
- 1.6 : Right
- 1.7 : Back
- 1.8 : Left
- 5.1 : Perspective
- 5.2 : Perspective
- 5.3 : Front
- 5.4 : Top
- 5.5 : Bottom

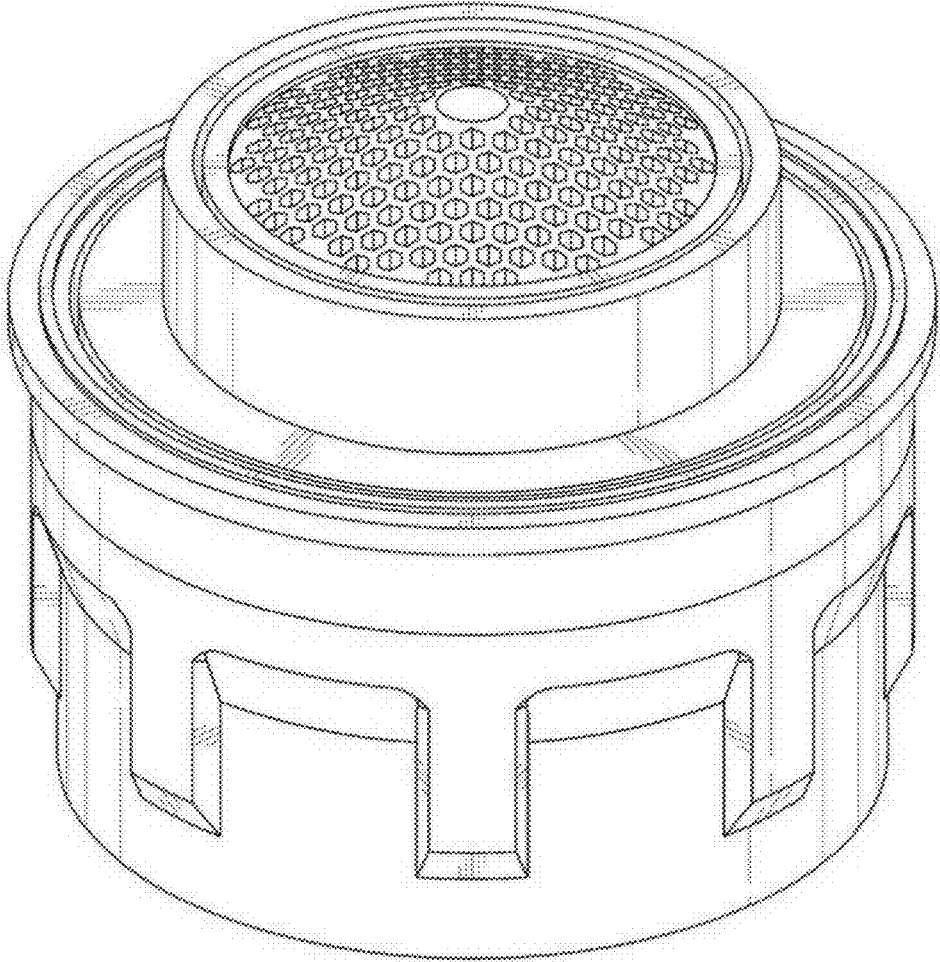
1 Claim, 13 Drawing Sheets



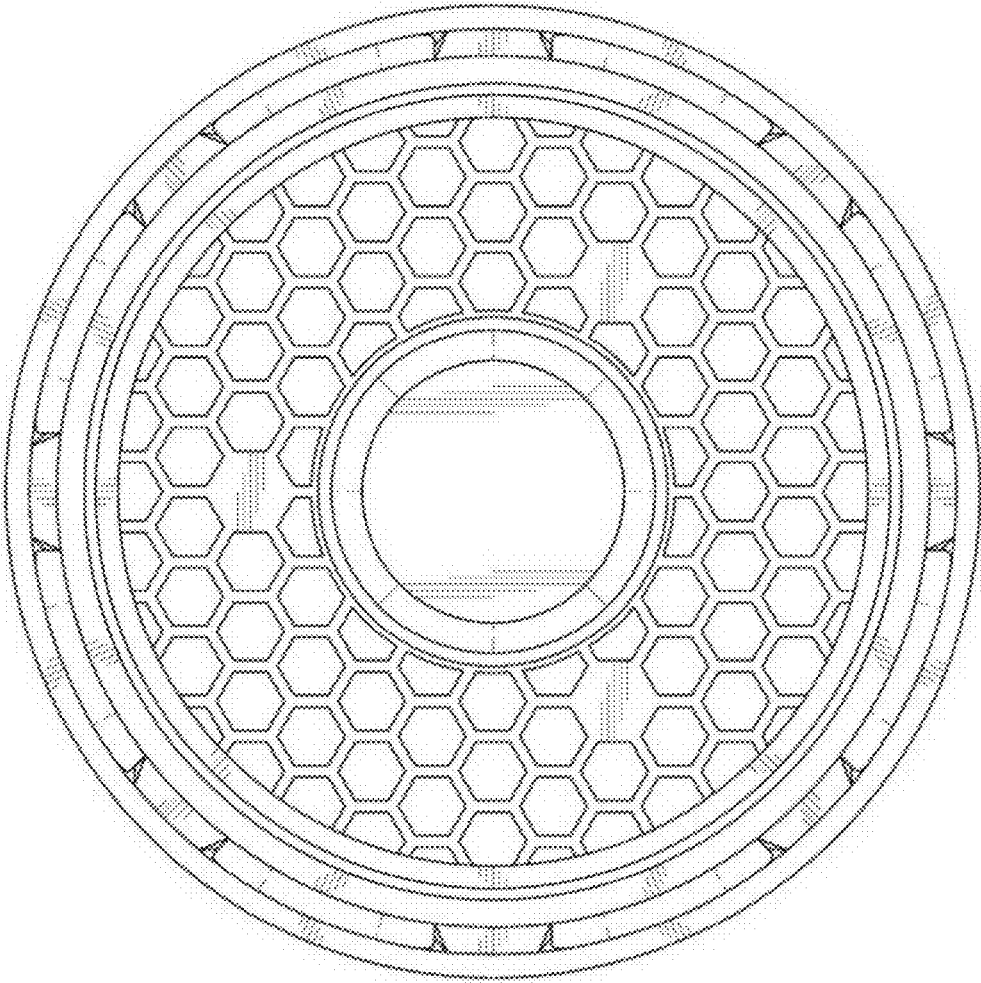
1.1



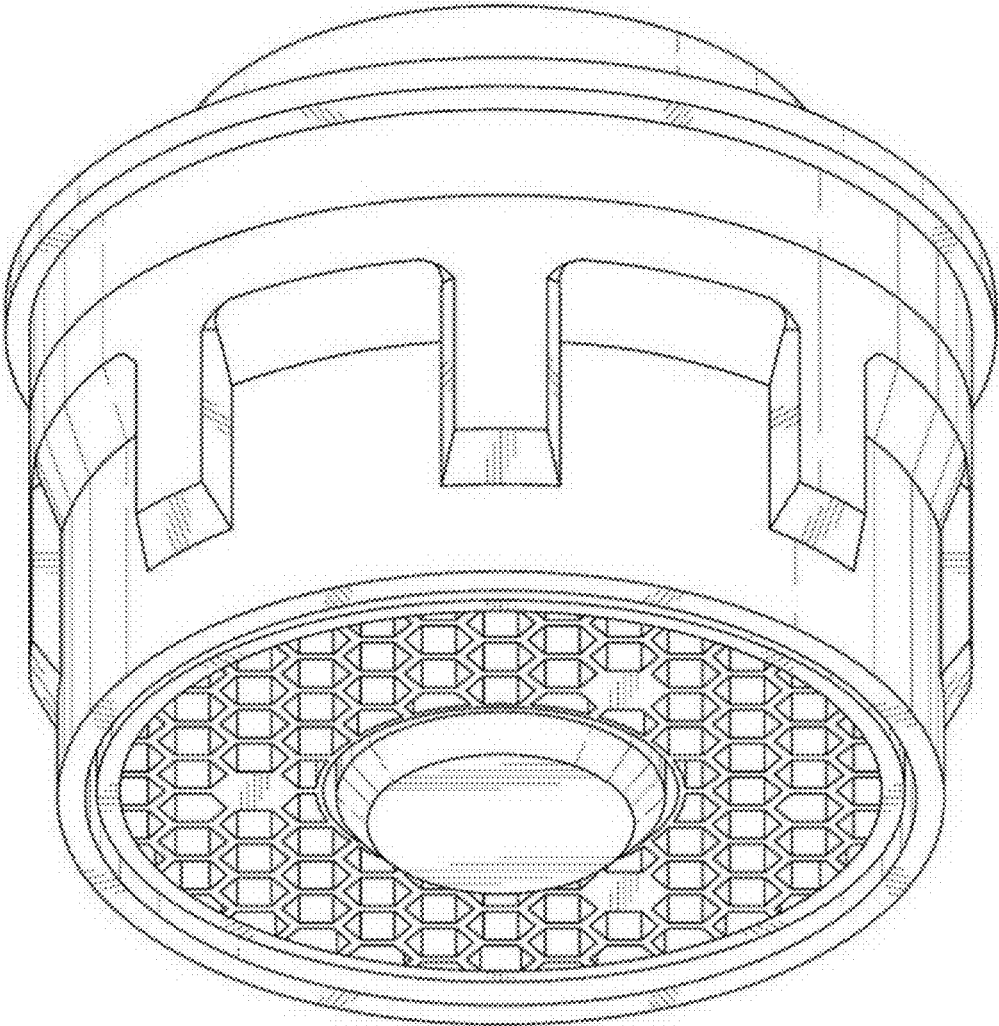
1.2



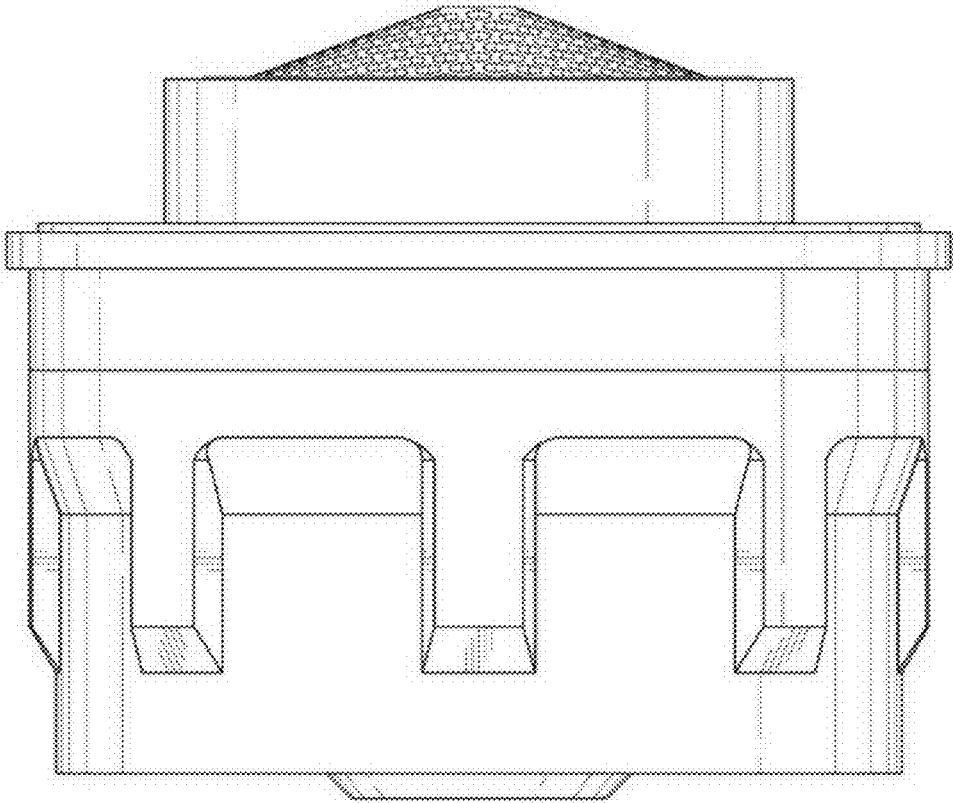
1.3



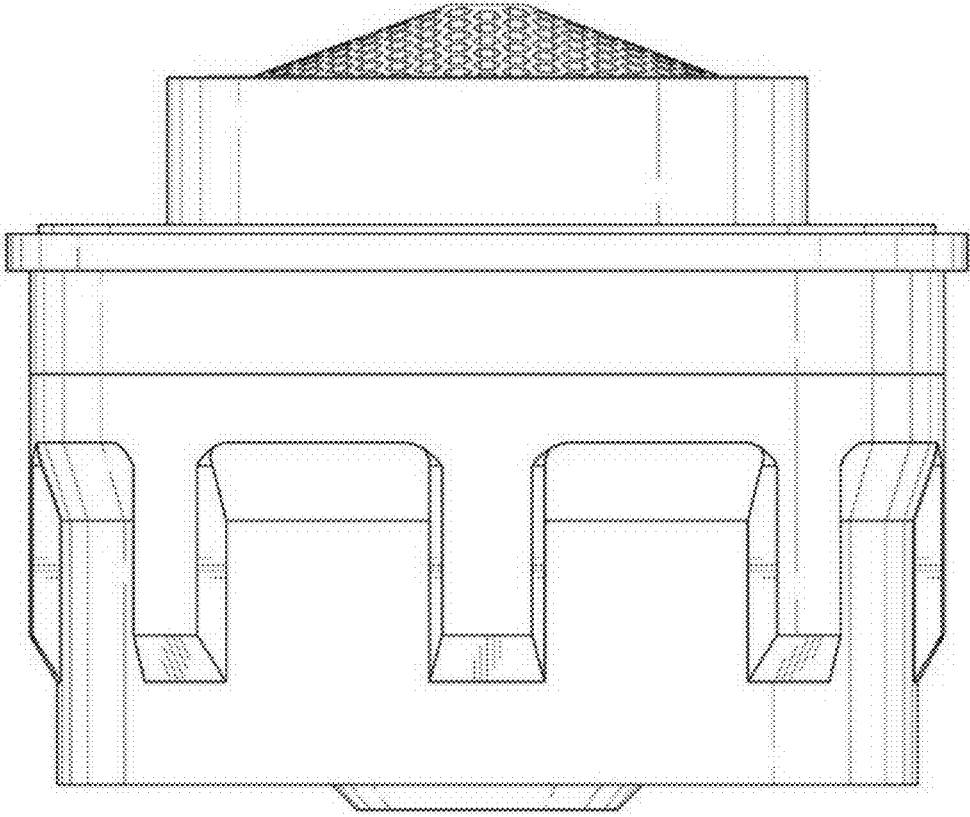
1.4



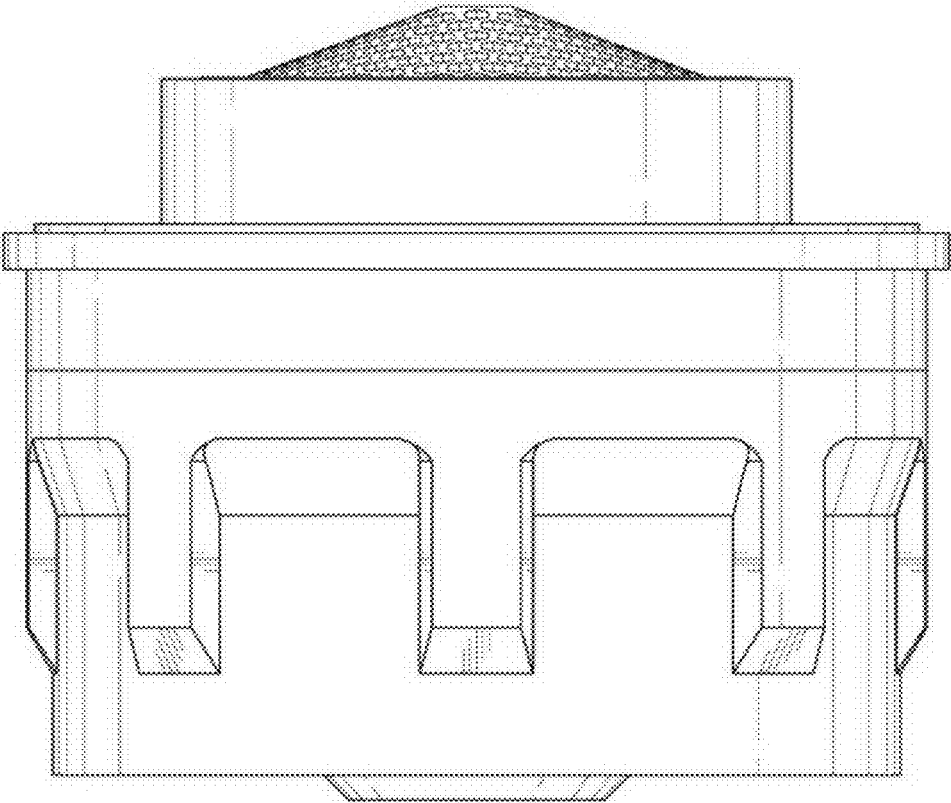
1.5



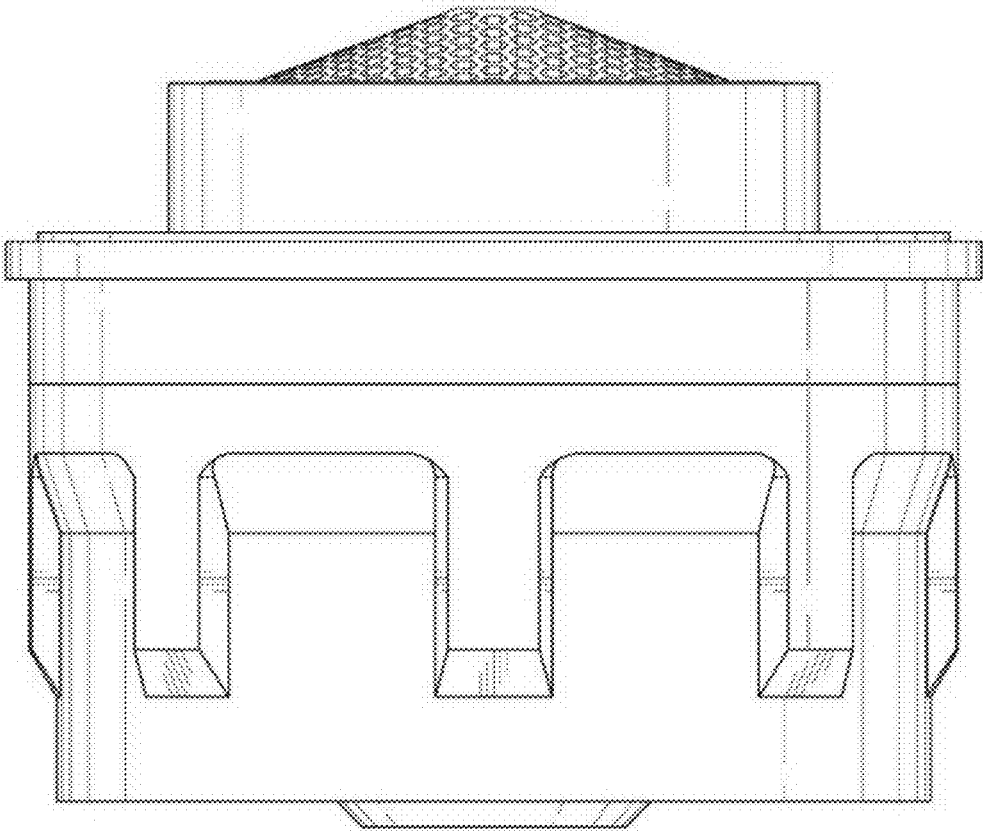
1.6



1.7



1.8



5.1



5.2



5.3



5.4



5.5

