



US00D836743S

(12) **United States Design Patent**  
**Yehle**

(10) **Patent No.:** **US D836,743 S**

(45) **Date of Patent:** **\*\* Dec. 25, 2018**

- (54) **NOCK FOR AN ARCHERY ARROW**
- (71) Applicant: **Ravin Crossbows, LLC**, Superior, WI (US)
- (72) Inventor: **Craig Thomas Yehle**, Winona, MN (US)
- (73) Assignee: **Ravin Crossbows, LLC**, Superior, WI (US)
- (\*\*) Term: **15 Years**
- (21) Appl. No.: **29/627,147**

4,645,211 A	2/1987	Beiter	
D301,272 S *	5/1989	Barrow	D22/115
5,134,552 A	7/1992	Call et al.	
5,154,432 A	10/1992	Sanders	
5,186,470 A *	2/1993	Easton	F42B 6/06 473/578
5,306,019 A *	4/1994	Guest	F42B 6/06 403/349
5,306,020 A *	4/1994	Bolf	F42B 6/06 473/578
5,290,044 A	5/1994	Easton et al.	
5,417,439 A	5/1995	Bickel	
5,439,231 A	8/1995	Roberts et al.	
5,547,200 A	8/1996	Rangel	
5,803,843 A	9/1998	Anderson et al.	
5,823,902 A	10/1998	Guest et al.	
5,859,119 A	1/1999	Hoefflin	

(Continued)

- (22) Filed: **Nov. 22, 2017**
- (51) **LOC (11) Cl.** ..... **22-01**
- (52) **U.S. Cl.**  
USPC ..... **D22/107**
- (58) **Field of Classification Search**  
USPC ..... D21/300, 301, 304, 387, 567, 570, 571, D21/573, 574, 575, 746; D22/100, 101, D22/102, 103, 106, 107, 108, 109, 110, D22/111, 112, 199  
CPC ..... F41A 3/26; F41A 3/12; F41A 5/02; F41A 17/22; F41B 5/143; F41B 5/14; F41B 5/066; F41B 7/08; F41B 5/1446; F41B 5/148; F41B 5/1465; F42B 6/04; F42B 6/08; F42B 6/02; F42B 6/06; F42B 12/362; F41C 23/16; F41C 27/00; F41C 7/00; F41G 11/003; F41G 11/001; F41G 11/004; F41G 11/005; A63H 5/04  
See application file for complete search history.

(56) **References Cited**  
U.S. PATENT DOCUMENTS

4,305,588 A	12/1981	Dodge
4,340,930 A	7/1982	Carissimi
4,544,163 A	10/1985	Scanlon
4,547,837 A	10/1985	Bennett

OTHER PUBLICATIONS

<http://www.lancasterarchery.com/arrows/arrow-components/nocks.html?limit=90>—Retrieved on Sep. 7, 2018.\*

(Continued)

*Primary Examiner* — Khawaja Anwar  
*Assistant Examiner* — Mojtaba Tehrani

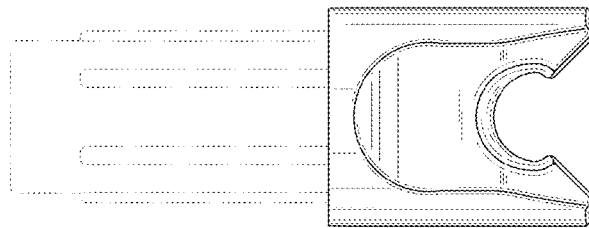
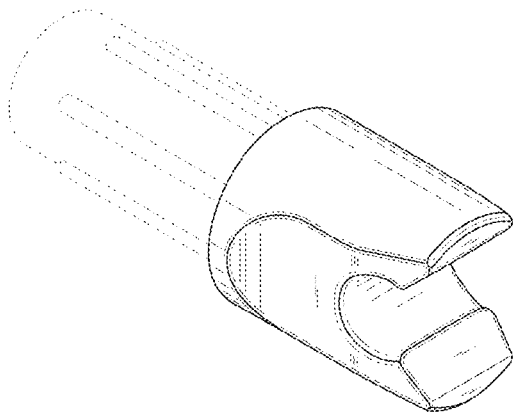
(57) **CLAIM**

The ornamental design for a nock for an archery arrow, as shown and described.

**DESCRIPTION**

FIG. 1 is a perspective view of a nock for an archery arrow, showing my new design;  
FIG. 2 is a side view thereof;  
FIG. 3 is another side view thereof;  
FIG. 4 is a top plan view thereof; and,  
FIG. 5 is a bottom plan view thereof.  
The broken line in the drawings depicts unclaimed portion of the nock only and forms no part of the claimed design.

**1 Claim, 5 Drawing Sheets**



(56)

References Cited

U.S. PATENT DOCUMENTS

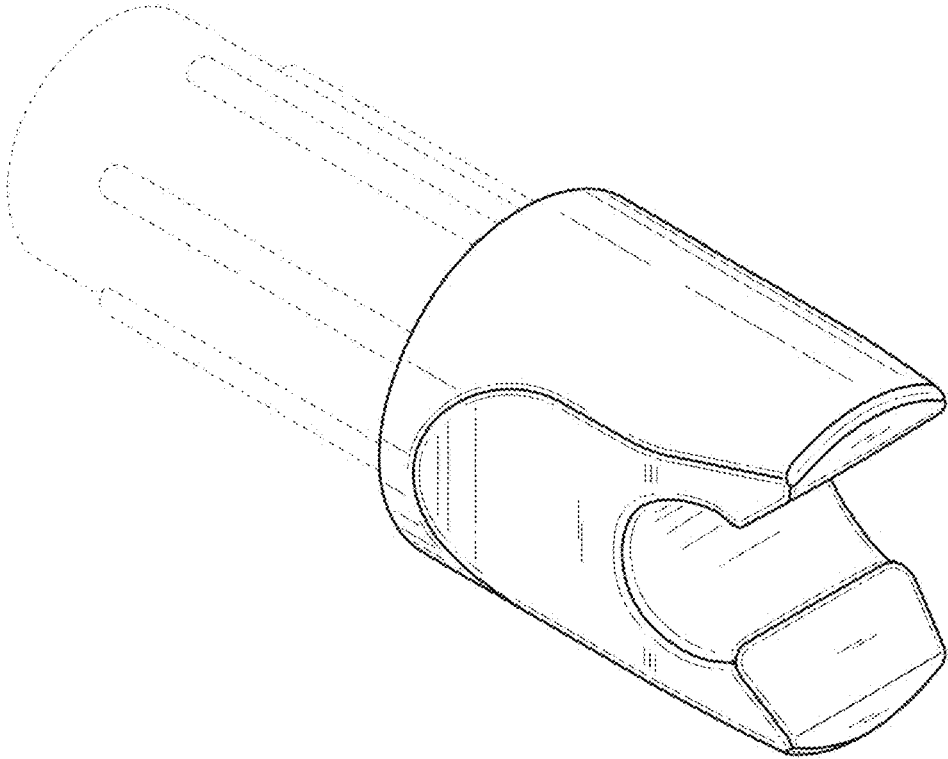
5,987,724 A 11/1999 Kleman  
 5,994,944 A 11/1999 Manyoki  
 6,017,284 A 1/2000 Giles  
 6,123,631 A 9/2000 Ginder  
 6,390,642 B1 5/2002 Simonton  
 6,695,727 B1\* 2/2004 Kuhn ..... F42B 6/06  
 473/586  
 6,736,742 B2 5/2004 Price et al.  
 6,892,717 B1\* 5/2005 Polanco ..... F41B 5/06  
 124/44.5  
 7,021,784 B2 4/2006 DiCarlo  
 7,189,170 B1 3/2007 Korsa et al.  
 7,211,011 B1 5/2007 Sutherland  
 D595,803 S \* 7/2009 Giles ..... D22/107  
 D606,615 S \* 12/2009 Andrews ..... D22/107  
 7,651,421 B2\* 1/2010 Smith ..... F42B 6/04  
 473/582  
 D612,444 S \* 3/2010 Klein ..... D22/107  
 7,767,738 B2 8/2010 Gagger et al.  
 7,827,240 B1 11/2010 Atkins et al.  
 7,837,580 B2 11/2010 Huang et al.  
 7,862,457 B1 1/2011 Urcheck  
 7,909,714 B2\* 3/2011 Cyr ..... F42B 6/06  
 473/578  
 7,927,240 B2\* 4/2011 Lynch ..... F42B 6/06  
 473/570  
 7,931,550 B2 4/2011 Lynch  
 D641,827 S \* 7/2011 Errett ..... D22/115  
 7,993,224 B2 8/2011 Brywig  
 D664,625 S \* 7/2012 Minica ..... D22/107  
 8,216,097 B2\* 7/2012 Nick ..... F42B 12/385  
 473/578  
 8,257,208 B2\* 9/2012 Harding ..... F42B 6/06  
 473/578  
 D669,955 S \* 10/2012 Minica ..... D22/107  
 D669,956 S \* 10/2012 Minica ..... D22/107  
 8,337,342 B1 12/2012 Huang  
 8,342,990 B1 1/2013 Price  
 8,366,573 B2 2/2013 Hunt  
 8,388,474 B1\* 3/2013 Griffith ..... F42B 6/06  
 473/586  
 8,475,302 B1\* 7/2013 Hummel, III ..... F42B 6/04  
 473/578  
 8,540,594 B2 9/2013 Chu  
 8,622,855 B2\* 1/2014 Bednar ..... F41B 5/1415  
 473/578  
 8,758,177 B2 6/2014 Minica  
 8,777,786 B1 7/2014 Bay  
 D717,389 S \* 11/2014 Huang ..... D22/107  
 8,920,270 B2\* 12/2014 DeLap ..... F42B 6/06  
 473/586  
 8,944,944 B2\* 2/2015 Pedersen ..... F42B 12/382  
 473/570  
 8,951,152 B1 2/2015 Huang  
 9,028,347 B2\* 5/2015 Pedersen ..... F42B 6/06  
 473/578  
 9,140,527 B2 9/2015 Pedersen et al.

9,212,874 B1\* 12/2015 Harding ..... F42B 6/06  
 9,243,875 B2 1/2016 Minica  
 9,279,647 B2 3/2016 Marshall  
 9,279,648 B2 3/2016 Marshall  
 9,279,649 B2 3/2016 Bay  
 9,285,195 B1 3/2016 Palomaki et al.  
 9,404,720 B2 8/2016 Pedersen  
 9,423,219 B2 8/2016 Pedersen et al.  
 9,434,334 B2 9/2016 Marur et al.  
 9,441,925 B1 9/2016 Palomaki et al.  
 9,470,486 B2 10/2016 Bednar et al.  
 9,518,806 B2 12/2016 Pedersen  
 9,546,651 B2 1/2017 Kim  
 D796,616 S \* 9/2017 Errett ..... D22/107  
 D813,970 S \* 3/2018 Kitts ..... D22/107  
 2004/0184274 A1 9/2004 DiCarlo  
 2015/0192395 A1 7/2015 Beck  
 2015/0308798 A1 10/2015 Kim  
 2016/0010961 A1 1/2016 Marshall  
 2018/0231359 A1\* 8/2018 Yehle ..... F42B 6/06

OTHER PUBLICATIONS

<https://www.youtube.com/watch?v=69qEO0Jdzjs>—Published Jan. 20, 2015.\*  
 2012 Firenock Catalog (12 pages).  
 Ravin R9 Instruction Manual for the Ravin R9 Crossbow.  
 U.S. Appl. No. 13/799,518, filed Mar. 13, 2013, Energy Storage Device For A Bow, now U.S. Pat. No. 9,255,753, Feb. 9, 2016.  
 U.S. Appl. No. 61/820,792, filed May 8, 2013, Cocking Mechanism For A Bow.  
 U.S. Appl. No. 14/071,723, filed Nov. 5, 2013, De-Cocking Mechanism For A Bow, now U.S. Appl. No. 9,383,159, Jul. 5, 2016.  
 U.S. Appl. No. 15/171,391, filed Jun. 2, 2016 Cocking Mechanism For A Crossbow.  
 U.S. Appl. No. 14/107,058, filed Dec. 16, 2013, String Guide System For A Bow, now U.S. Pat. No. 9,354,015, May 31, 2016.  
 U.S. Appl. No. 62/244,932, filed Oct. 22, 2015 String Guide for a Bow.  
 U.S. Appl. No. 15/098,537, filed Apr. 14, 2016, Crossbow, now U.S. Pat. No. 9,494,379, Nov. 15, 2016.  
 U.S. Appl. No. 15/098,557, filed Apr. 14, 2016, String Control System for a Crossbow, now U.S. Pat. No. 9,494,380, Nov. 15, 2016.  
 U.S. Appl. No. 15/098,568, filed Apr. 14, 2016, Reduced Friction Trigger for a Crossbow, now U.S. Pat. No. 9,557,134, Jan. 31, 2017.  
 U.S. Appl. No. 62/459,421, filed Feb. 15, 2017, Provisional for: High Impact Strength Lighted Nock.  
 U.S. Appl. No. 29/594,119, filed Feb. 15, 2017, Design for: Nock for an Archery Arrow.  
 U.S. Appl. No. 62/492,671, filed May 1, 2017, Provisional for: High Impact Strength Lighted Nock.  
 U.S. Appl. No. 15/631,004, filed Jun. 23, 2017, High Impact Strength Nock Assembly.  
 U.S. Appl. No. 15/631,016, filed Jun. 23, 2017, High Impact Strength Lighted Nock Assembly.

\* cited by examiner



**Fig. 1**

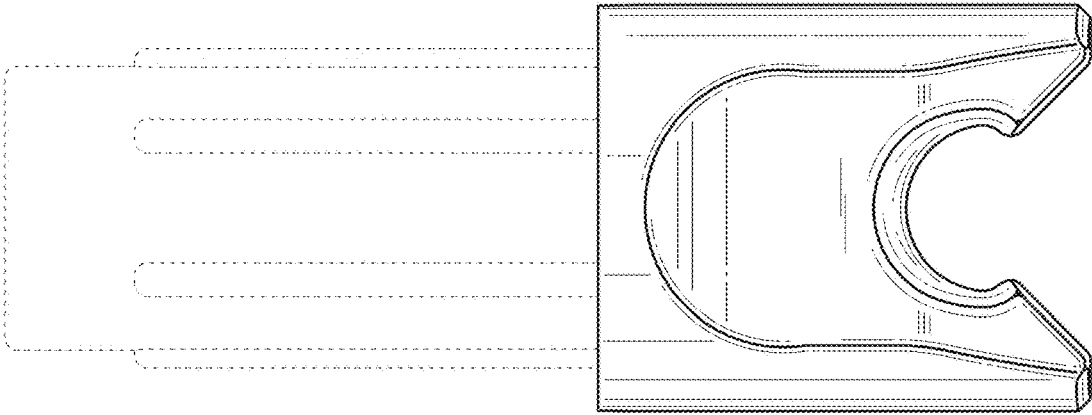


Fig. 2

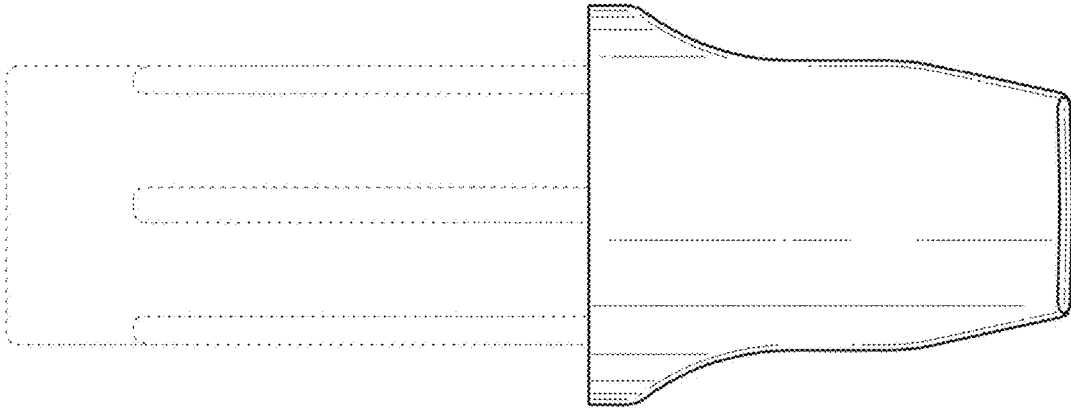


Fig. 3

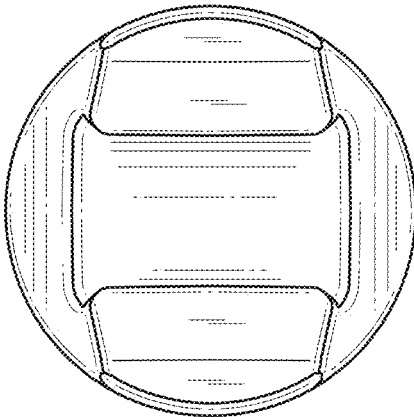
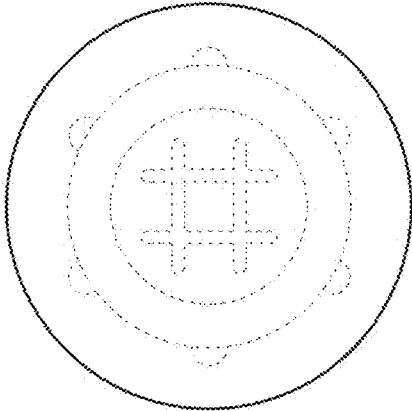


Fig. 4



**Fig. 5**